



US00D932550S

(12) **United States Design Patent**
Tong et al.

(10) **Patent No.:** **US D932,550 S**
(45) **Date of Patent:** **** Oct. 5, 2021**

- (54) **GAME CONTROLLER**
- (71) Applicant: **RAZER (ASIA-PACIFIC) PTE. LTD.**,
Singapore (SG)
- (72) Inventors: **Ien Yu Tong**, Johor (MY); **Gil Palma Guerrero, Jr.**, Singapore (SG)
- (73) Assignee: **RAZER (ASIA-PACIFIC) PTE. LTD.**,
Singapore (SG)
- (**) Term: **15 Years**
- (21) Appl. No.: **29/654,607**
- (22) Filed: **Jun. 26, 2018**

Related U.S. Application Data

- (62) Division of application No. 29/606,892, filed on Jun. 8, 2017, now Pat. No. Des. 831,648.
- (51) **LOC (13) Cl.** **21-01**
- (52) **U.S. Cl.**
USPC **D21/333; D14/401**
- (58) **Field of Classification Search**
USPC D14/137, 138, 168, 217, 218, 356, 387,
D14/388, 389, 399-401, 412-416, 443,
D14/449-450, 454, 474, 483, 496;
D21/324-329, 333
CPC A63F 13/24; A63F 13/02; A63F 13/06;
A63F 13/98; A63F 9/00; A63F 9/24;
A63F 11/00
See application file for complete search history.

(56) **References Cited**

U.S. PATENT DOCUMENTS

5,551,693	A	9/1996	Goto	
5,923,317	A	7/1999	Sayler	
D415,485	S	10/1999	Leifer	
D430,222	S	8/2000	Goto	
6,120,374	A	9/2000	Akada	
D450,703	S *	11/2001	Brulotte D14/415
D469,436	S	1/2003	Hussaini	

6,743,100	B1	6/2004	Neiser	
6,992,462	B1 *	1/2006	Hussaini A63F 13/06 320/114
D585,931	S	2/2009	Palmer	
D658,179	S	4/2012	Ikeda	
D694,830	S *	12/2013	Crowley D21/333

(Continued)

FOREIGN PATENT DOCUMENTS

CN	303429098	*	11/2015
CN	304658300	*	6/2018

OTHER PUBLICATIONS

Razer Wolverine Ultimate Officially Licensed Xbox One Controller, date first available: Aug. 24, 2017, [retrieved Mar. 12, 2021], Retrieved from Internet, URL: <https://www.amazon.com/Razer-Wolverine-Ultimate-Multi-Function-Intrchangeable-Thumbsticker/dp/B074RNL1RX?th=1> (Year: 2017).*

Primary Examiner — Barbara Fox
Assistant Examiner — Aram Kwon
(74) *Attorney, Agent, or Firm* — Polsinelli PC

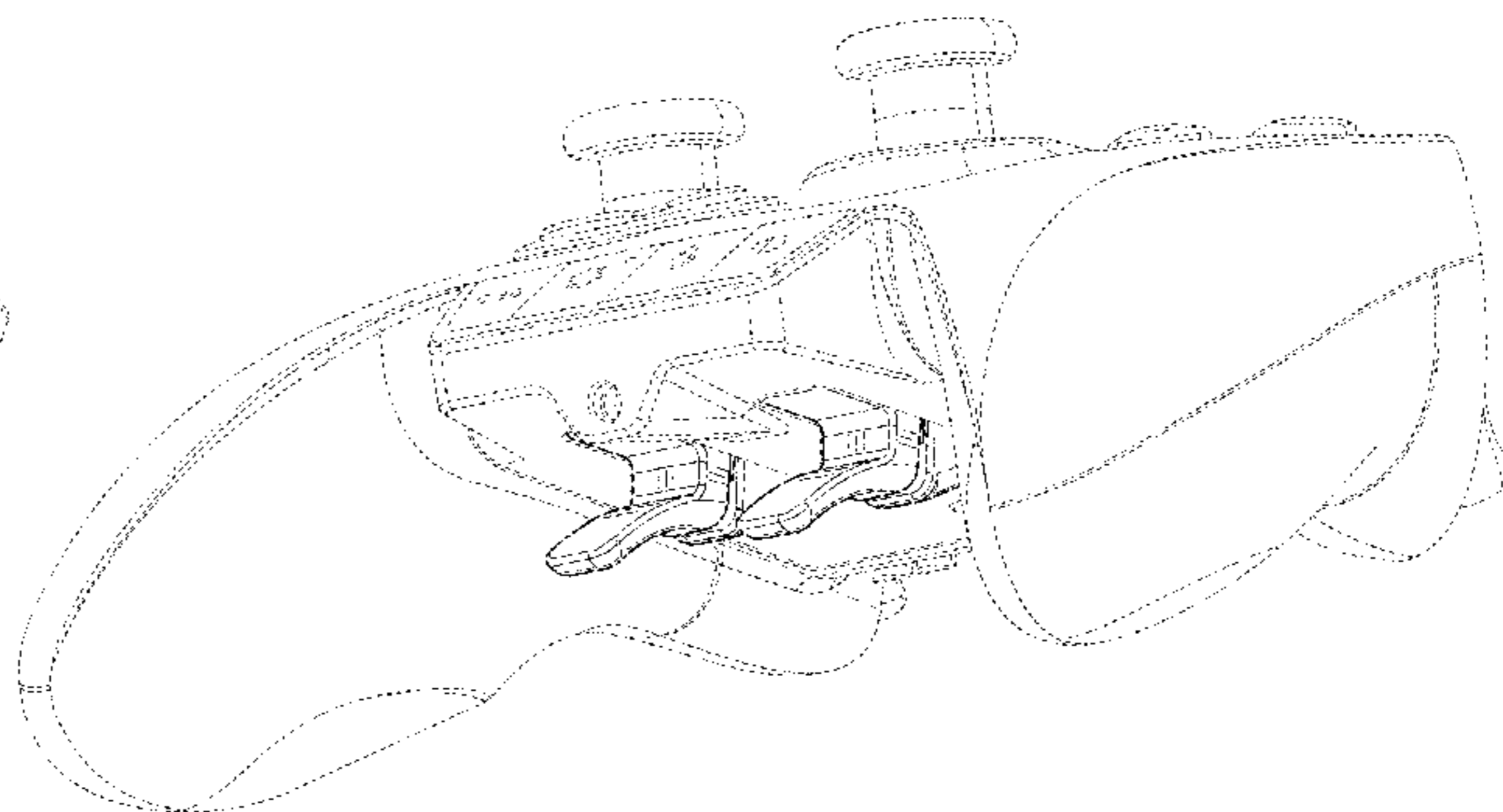
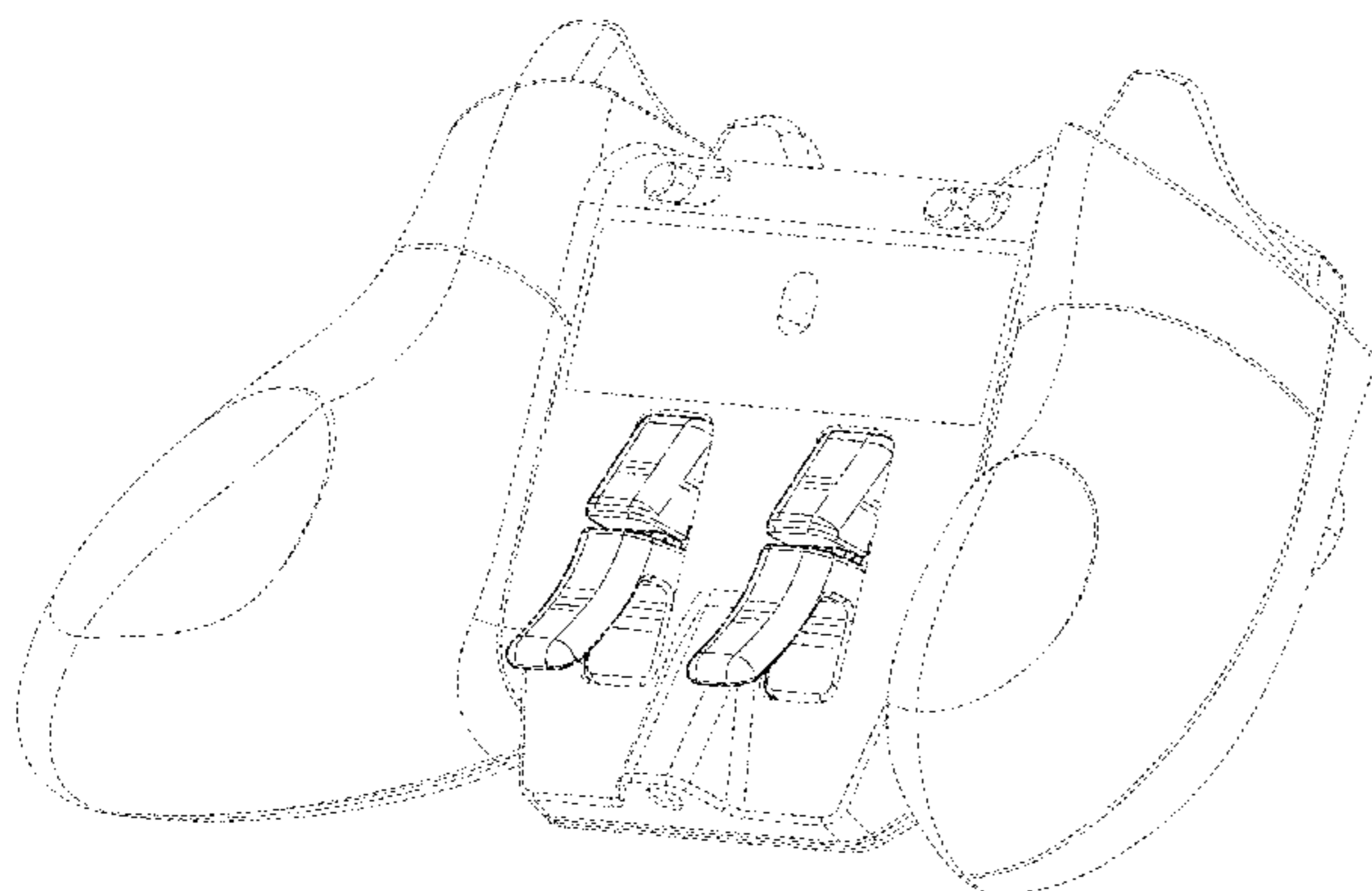
(57) **CLAIM**

We claim the ornamental design for a game controller, as shown and described.

DESCRIPTION

FIG. 1 is a bottom, perspective view of the game controller, showing our new design;
FIG. 2 is a front, left perspective view thereof;
FIG. 3 is a front elevational view thereof;
FIG. 4 is a rear elevational view thereof;
FIG. 5 is a right side elevational view thereof;
FIG. 6 is a left side elevational view thereof;
FIG. 7 is a top plan view thereof; and,
FIG. 8 is a bottom plan view thereof.
The broken lines in the drawings depict portions of the game controller that form no part of the claimed design.

1 Claim, 8 Drawing Sheets



(56)

References Cited

U.S. PATENT DOCUMENTS

D740,825 S 10/2015 Bellinghausen
D752,152 S * 3/2016 Kissoon D21/333
9,636,577 B2 * 5/2017 Antonio A63F 13/98
D872,087 S * 1/2020 Lo D14/388
D889,549 S * 7/2020 Ironmonger D21/333
D891,429 S * 7/2020 Hsu D14/400
D891,438 S * 7/2020 Chen D14/454
D897,441 S * 9/2020 Yang D21/333
D901,502 S * 11/2020 Kim D14/388
10,843,069 B2 * 11/2020 Ironmonger A63F 13/24
2005/0032576 A1 * 2/2005 Cheng A63F 13/22
463/37
2006/0079328 A1 4/2006 Wang
2006/0116204 A1 * 6/2006 Chen A63F 13/06
463/37
2010/0248822 A1 * 9/2010 Migos G06F 21/83
463/29
2013/0130800 A1 5/2013 Sirilux
2015/0367234 A1 * 12/2015 Jones A63F 13/48
463/31
2016/0082349 A1 * 3/2016 Burgess A63F 13/24
463/37
2016/0256772 A1 * 9/2016 Kissoon A63F 13/24
2016/0317919 A1 * 11/2016 Gassoway A63F 13/00
2017/0087456 A1 * 3/2017 Burgess A63F 13/24
2017/0151494 A1 * 6/2017 Ironmonger A63F 13/22
2017/0354895 A1 * 12/2017 Dornbusch A63F 13/23

* cited by examiner

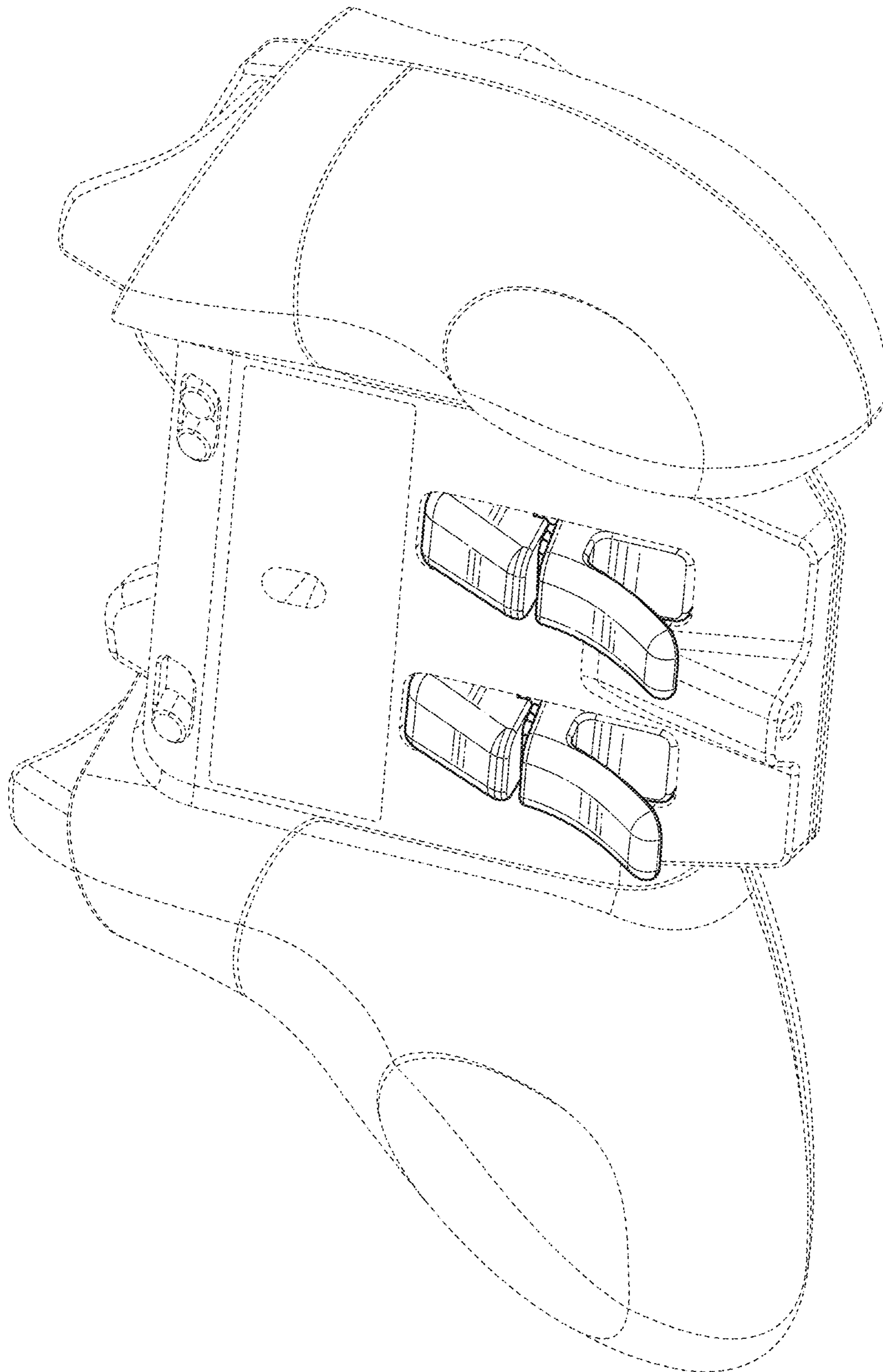


FIG. 1

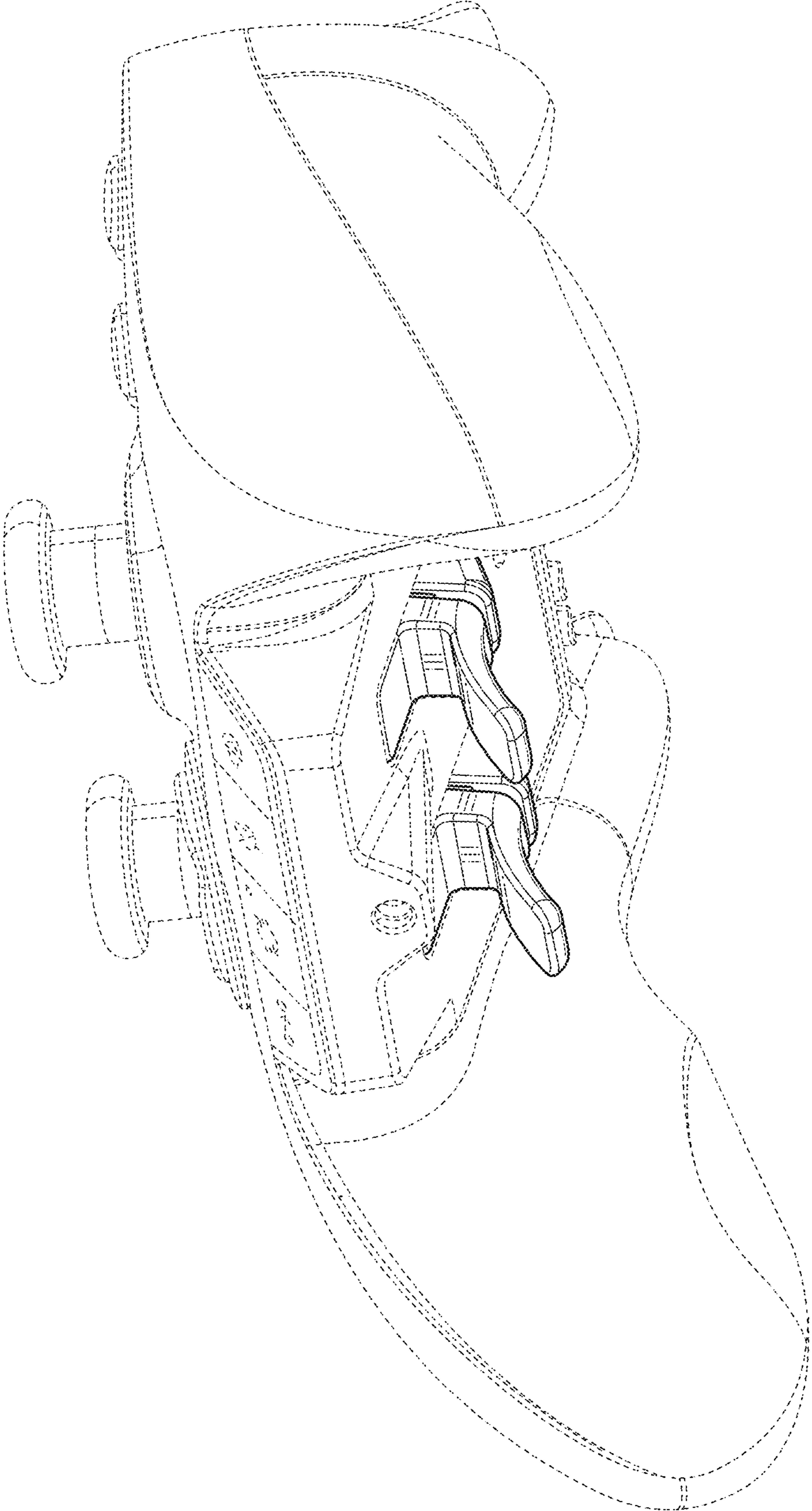


FIG. 2

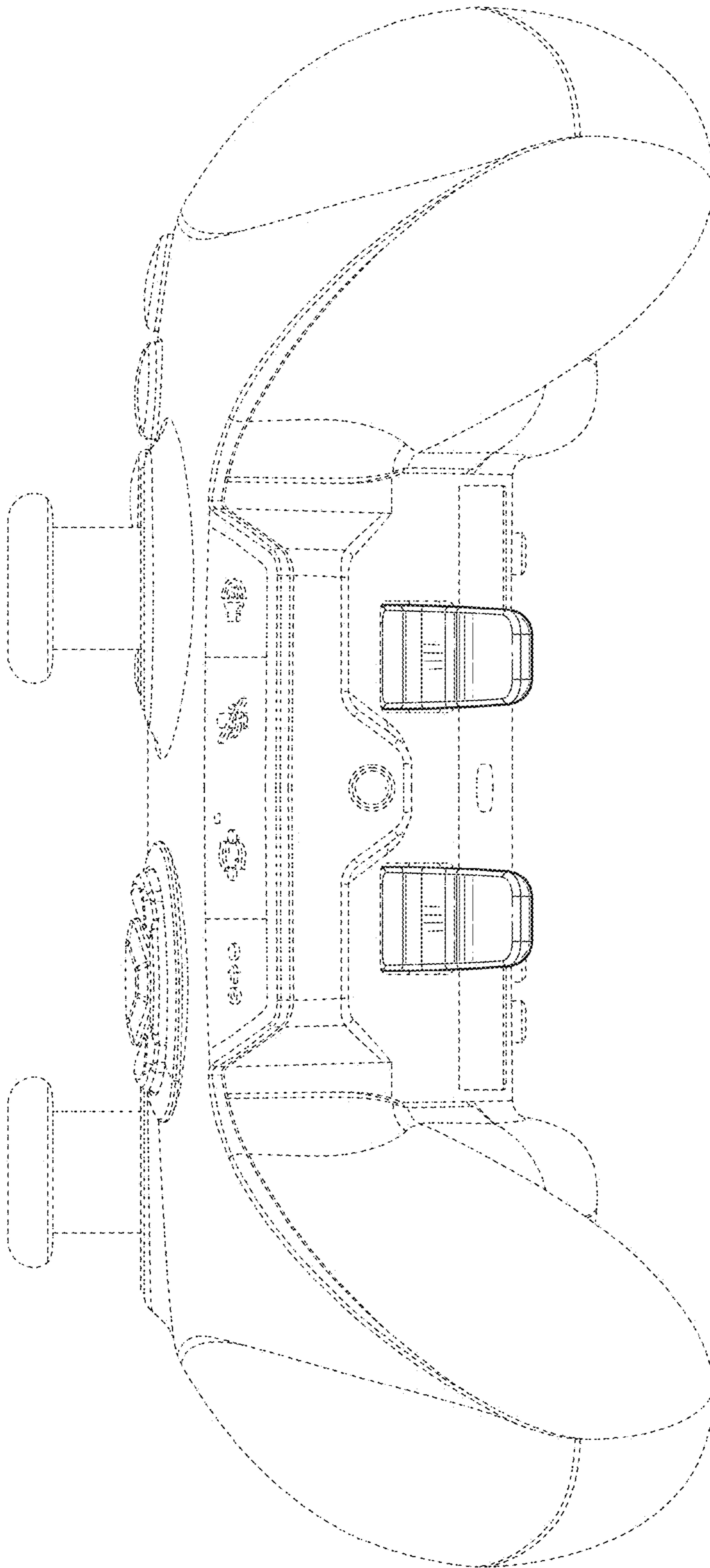


FIG. 3

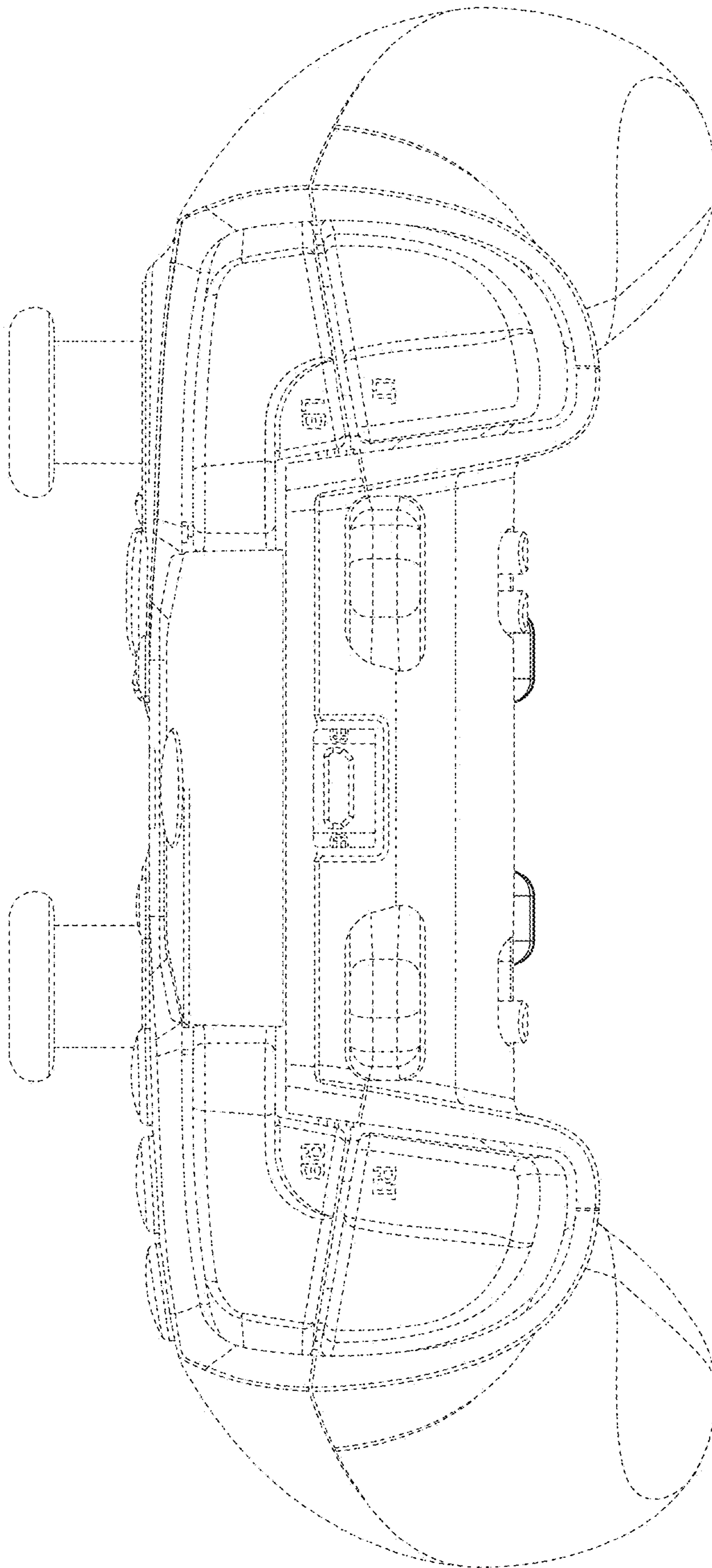


FIG. 4

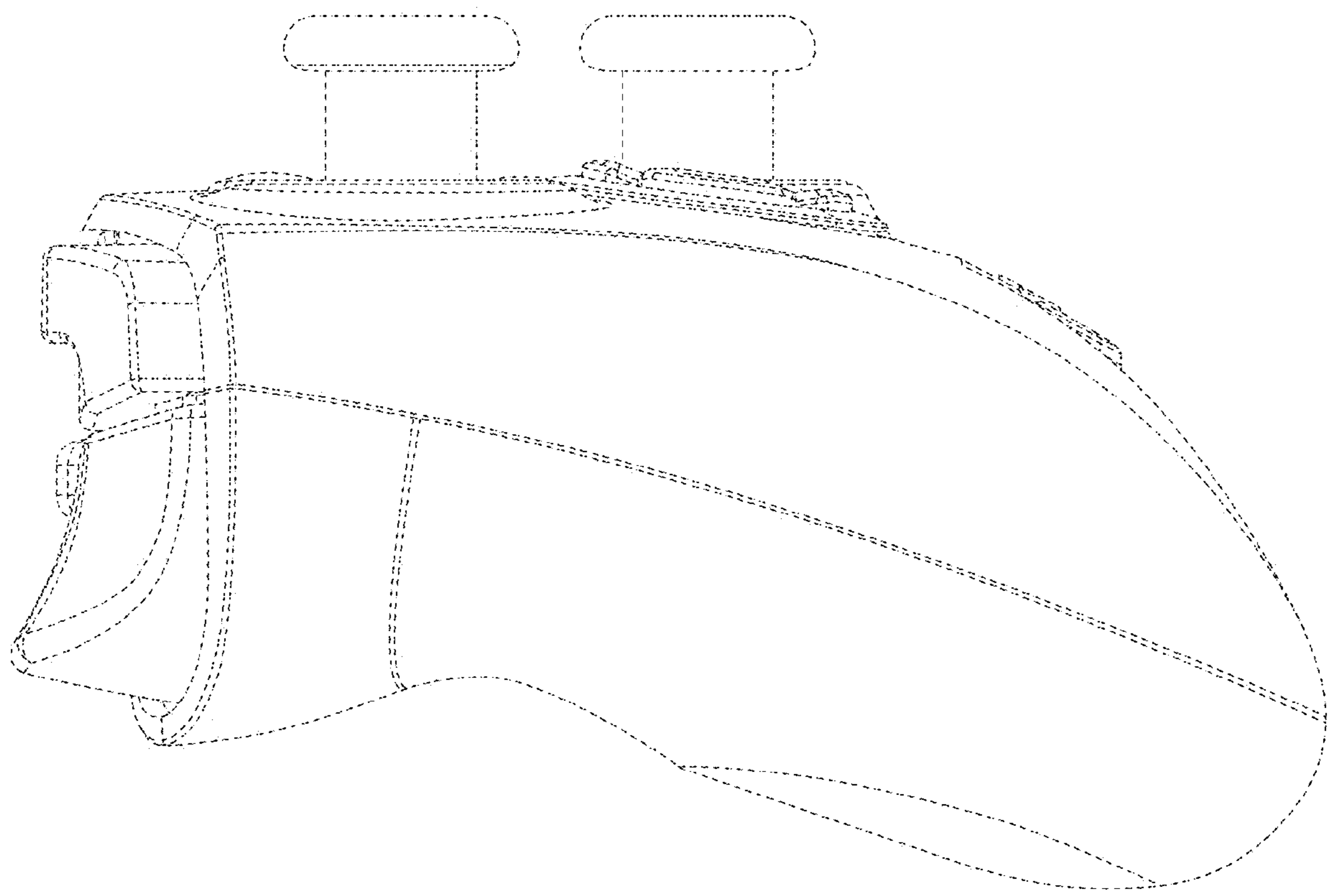


FIG. 5

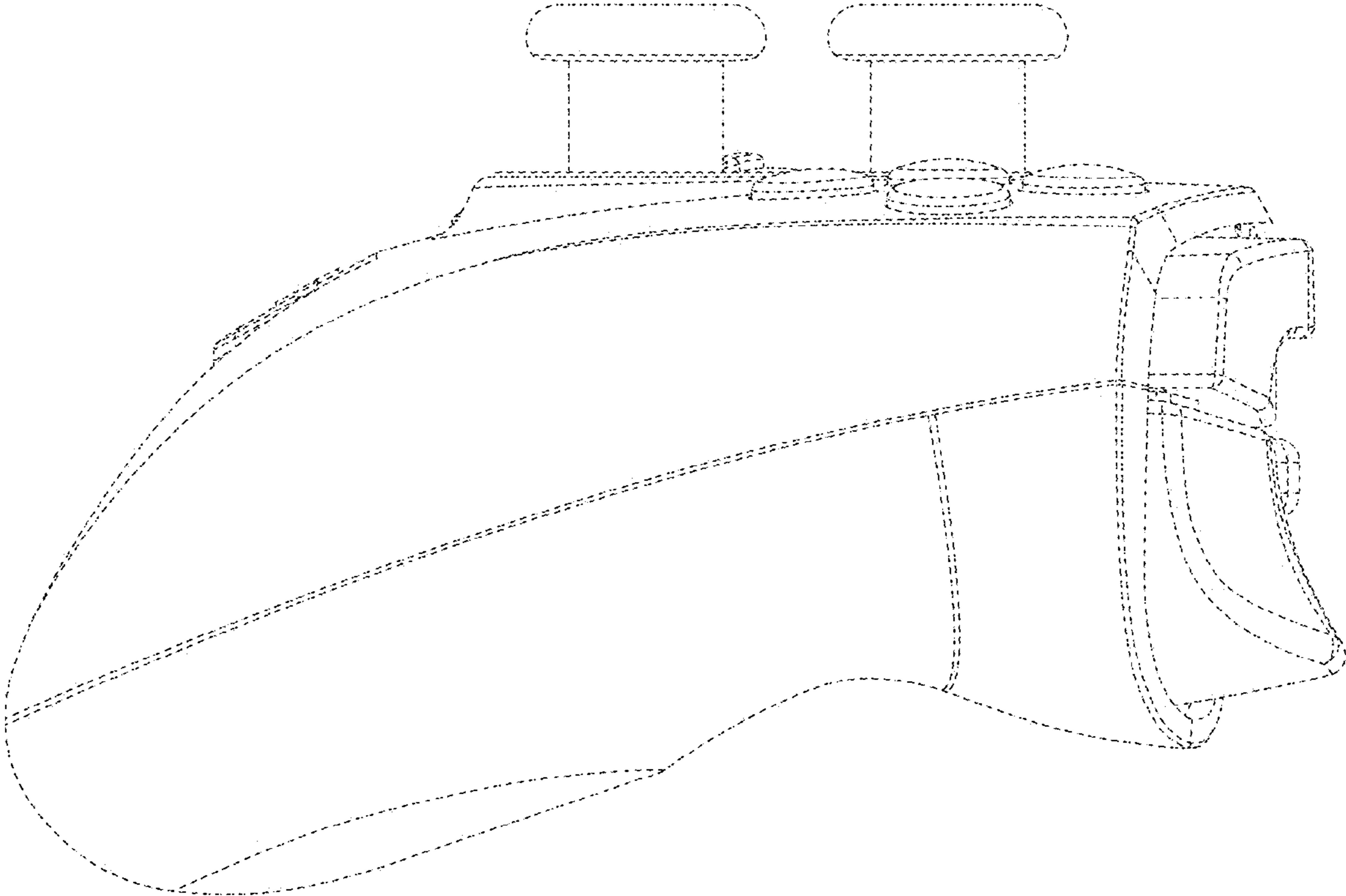


FIG. 6

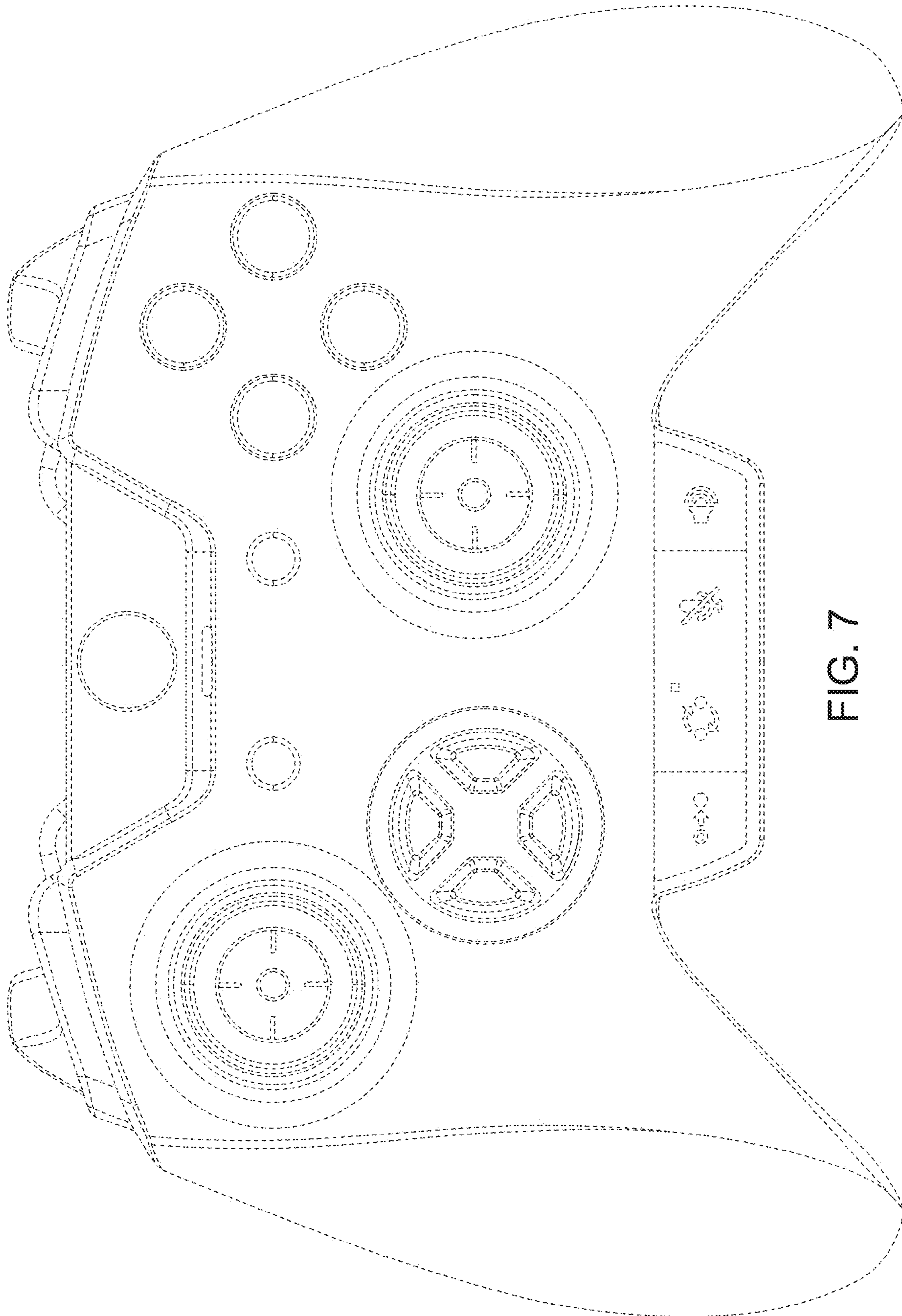


FIG. 7

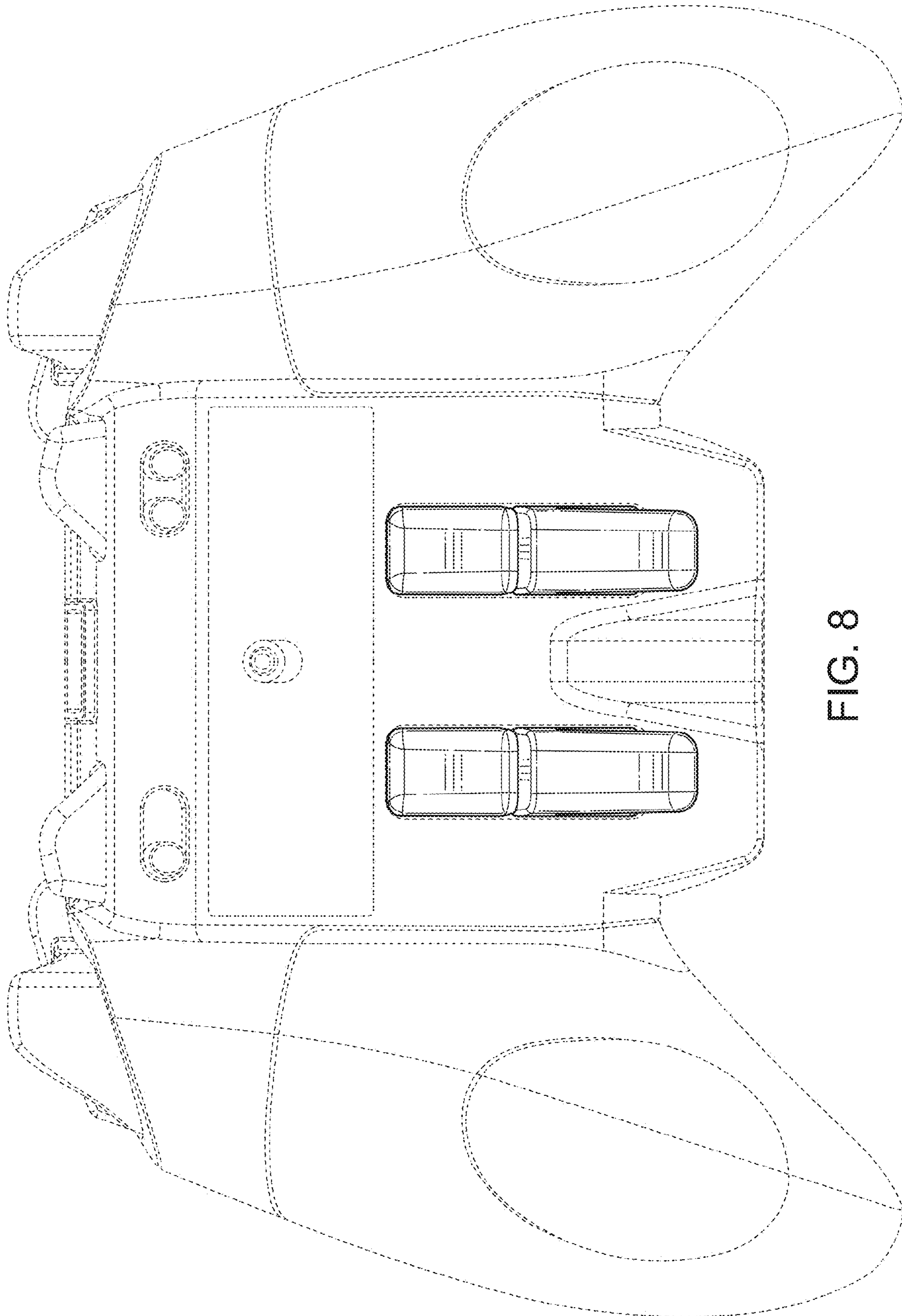


FIG. 8