



US00D932549S

(12) **United States Design Patent** (10) **Patent No.:** **US D932,549 S**
Smit (45) **Date of Patent:** **** Oct. 5, 2021**

(54) **BASE FRAME FOR RACING SIMULATOR COCKPIT**

6,877,803 B1 * 4/2005 Reese A47C 4/50
297/18
D509,077 S * 9/2005 Beermann D6/356
D527,054 S * 8/2006 Brase D21/326

(71) Applicant: **F. Smit Holding B.V.**, Doetinchem (NL)

(Continued)

(72) Inventor: **Fernando Smit**, Doetinchem (NL)

OTHER PUBLICATIONS

(73) Assignee: **F. SMIT HOLDING B.V.**, Doetinchem (NL)

“Vevor Simulator Cockpit”, posted Oct. 27, 2019, [retrieved Nov. 18, 2020], Retrieved from Internet, https://www.amazon.com/VEVOR-Simulator-Adjustable-Logitech-Included/dp/B07LCKHC2X/ref=pd_rhf_se_p_img_1?_encoding=UTF8&psc=1&refRID=ERYTRYTRNZQR4T5B6D6V.*

(**) Term: **15 Years**

Primary Examiner — Sandra Snapp
Assistant Examiner — Mehri Bajoul

(21) Appl. No.: **29/703,373**

(22) Filed: **Aug. 27, 2019**

(74) *Attorney, Agent, or Firm* — Abelman, Frayne & Schwab

(30) **Foreign Application Priority Data**

Apr. 29, 2019 (EM) 006402343-0001

(51) **LOC (13) Cl.** **21-01**

(52) **U.S. Cl.**
USPC **D21/326**

(58) **Field of Classification Search**

USPC D21/325, 326, 327, 329, 333, 349,
D21/351–355, 366, 369, 370, 371, 385,
D21/426, 427, 430, 471, 695, 696, 814;
472/59; 434/55; D6/334, 335, 356, 366,
D6/368, 716; D12/112, 861
CPC A63F 13/08; A63F 13/803; A63F 13/28;
G09B 9/12; A47C 1/026; A47C 1/143;
A47C 7/72; A47C 7/5068

See application file for complete search history.

(56) **References Cited**

U.S. PATENT DOCUMENTS

3,532,225 A * 10/1970 Reed A47B 13/02
211/181.1
D243,627 S * 3/1977 Glower D21/426
D376,186 S * 12/1996 Penney D21/814
D446,263 S * 8/2001 Heys D21/326
6,283,546 B1 * 9/2001 Hill A47C 1/026
297/130

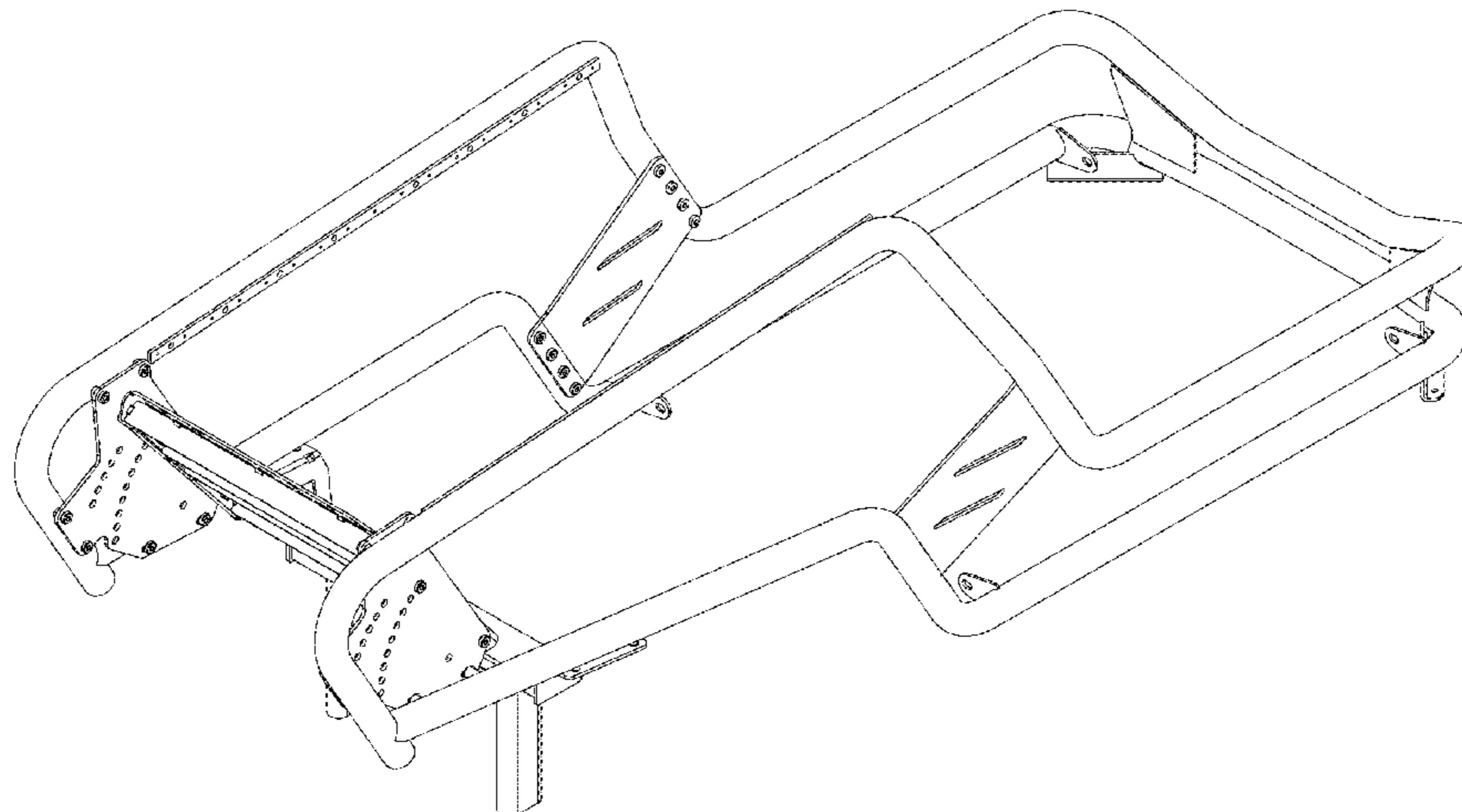
(57) **CLAIM**

The ornamental design for a base frame for a racing simulator cockpit, as shown and described.

DESCRIPTION

FIG. 1 is a front perspective view of a base frame for a racing simulator cockpit showing my new design;
FIG. 2 is a rear perspective view thereof;
FIG. 3 is the front perspective view of FIG. 1 which includes an illustrative example of a racing simulator cockpit shown in broken lines;
FIG. 4 is a rear perspective view of the elements thereof;
FIG. 5 is left side view of the elements thereof;
FIG. 6 is right side view of the elements thereof;
FIG. 7 is rear view of the elements thereof;
FIG. 8 is front view of the elements thereof;
FIG. 9 is a top plan view of the elements thereof; and,
FIG. 10 is bottom plan view of the elements thereof.
The broken lines showing the bottom of the oval legs, in FIG. 10, depict portions of the base frame for racing simulator cockpit and form no part of the claimed design.

(Continued)



The remaining broken lines in the drawings depict environmental structure and form no part of the claim.

1 Claim, 10 Drawing Sheets

(56)

References Cited

U.S. PATENT DOCUMENTS

D598,207	S *	8/2009	Smit	D6/335
D612,623	S *	3/2010	Smit	D6/366
7,753,451	B2 *	7/2010	Maebert	B60N 2/20
					297/378.12
D651,133	S *	12/2011	Liebl	D12/87
D651,815	S *	1/2012	Smit	D6/336
D691,822	S *	10/2013	Smit	D6/368
D693,586	S *	11/2013	Lenterman	D6/366
D701,917	S *	4/2014	Ghahramanian	D21/326
D766,780	S *	9/2016	Fusco	D12/112
D774,981	S *	12/2016	Chen	D12/112
D809,313	S *	2/2018	Mao	D6/366
D811,145	S *	2/2018	Li	D6/716
D820,733	S *	6/2018	Chen	D12/112
D837,892	S *	1/2019	Armand	D21/333
D854,458	S *	7/2019	Kermani	D12/112
D856,020	S *	8/2019	Ghahramanian	D6/367
D859,865	S *	9/2019	Berlinches	D6/366
D880,600	S *	4/2020	Quinn	D21/326
D884,076	S *	5/2020	Quinn	D21/326
10,729,256	B1 *	8/2020	Flannery	A47D 15/008
2020/0305608	A1 *	10/2020	Grace	A47C 1/0265

* cited by examiner

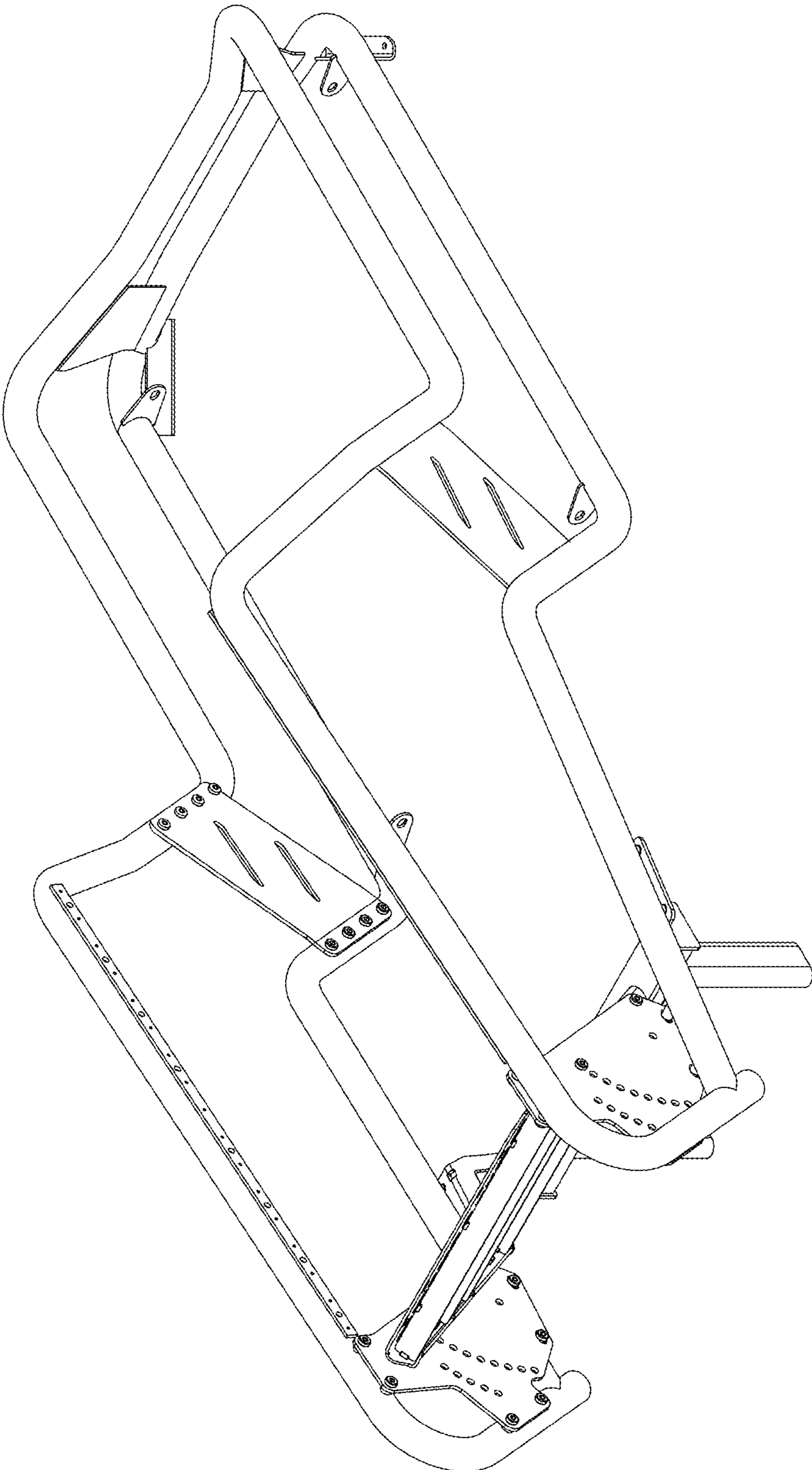


FIG. 1

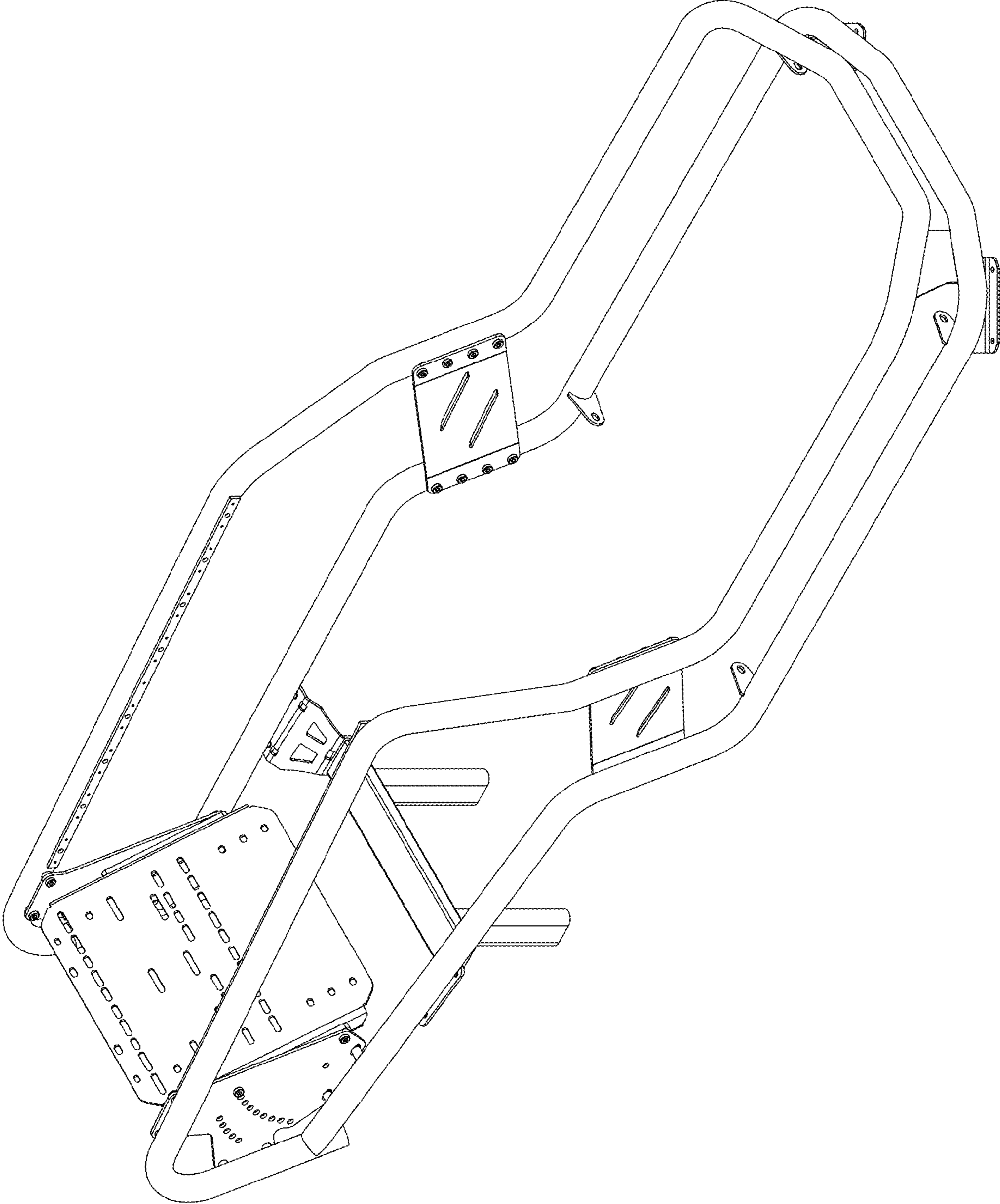


FIG. 2

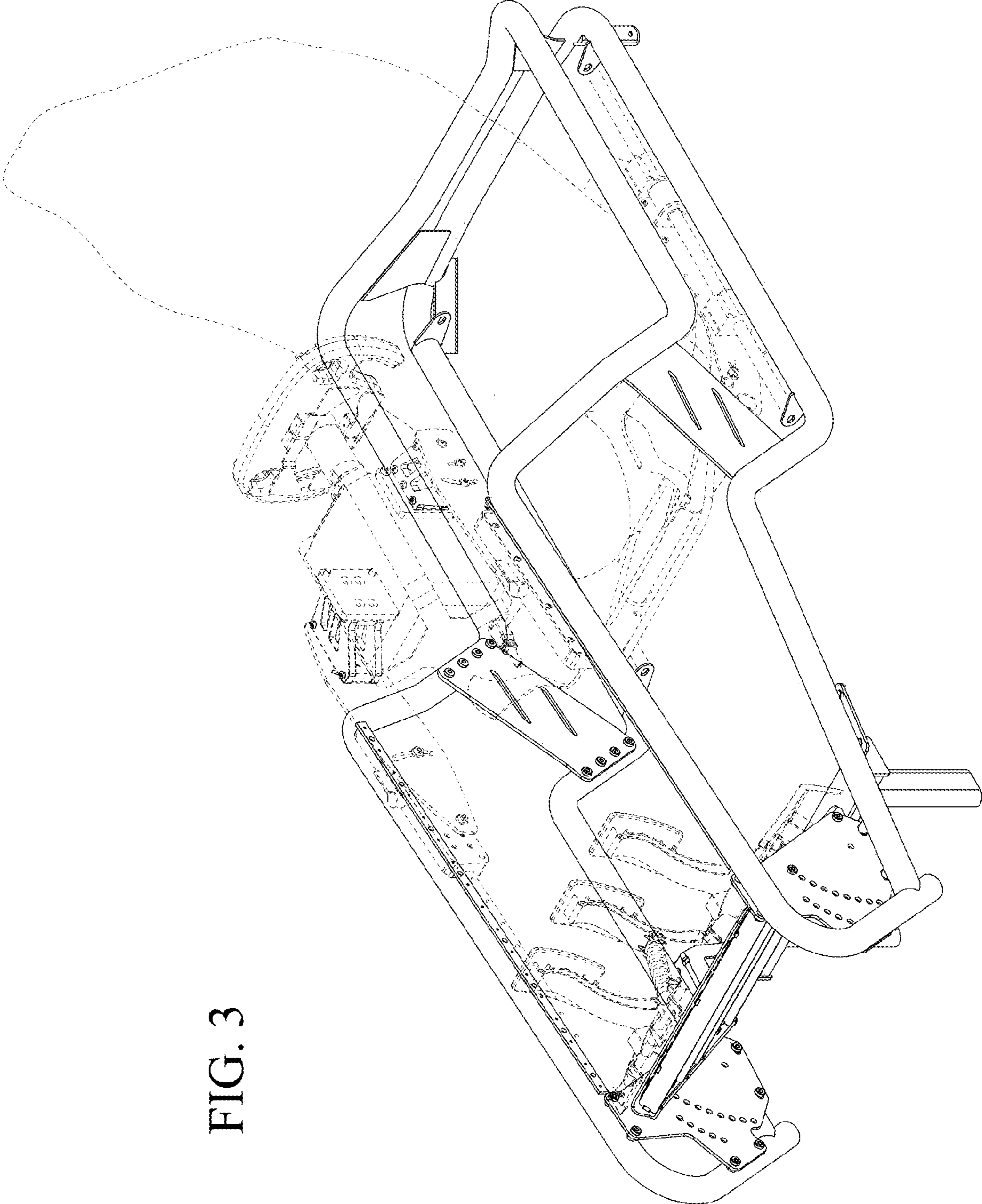


FIG. 3

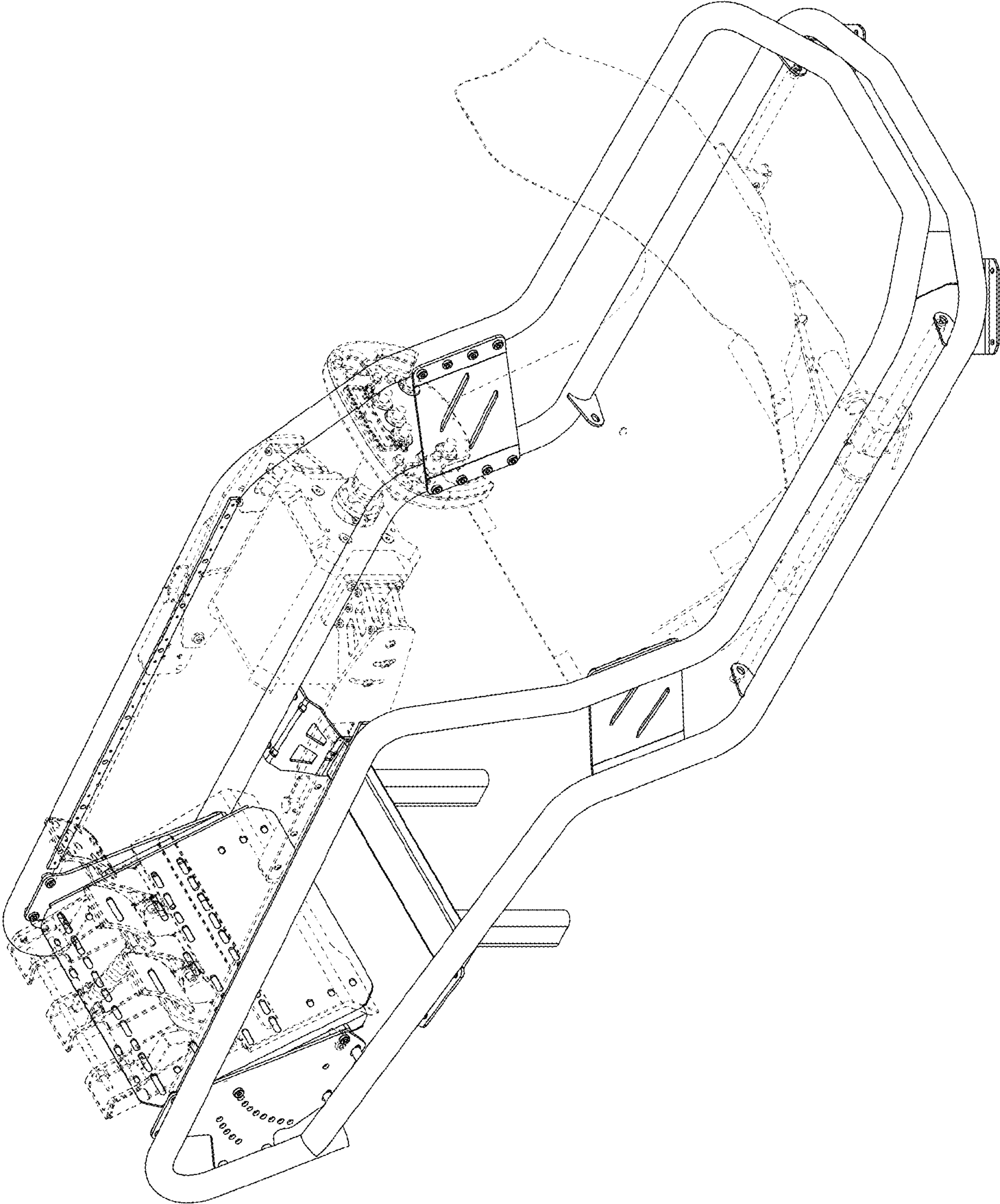


FIG. 4

FIG. 5

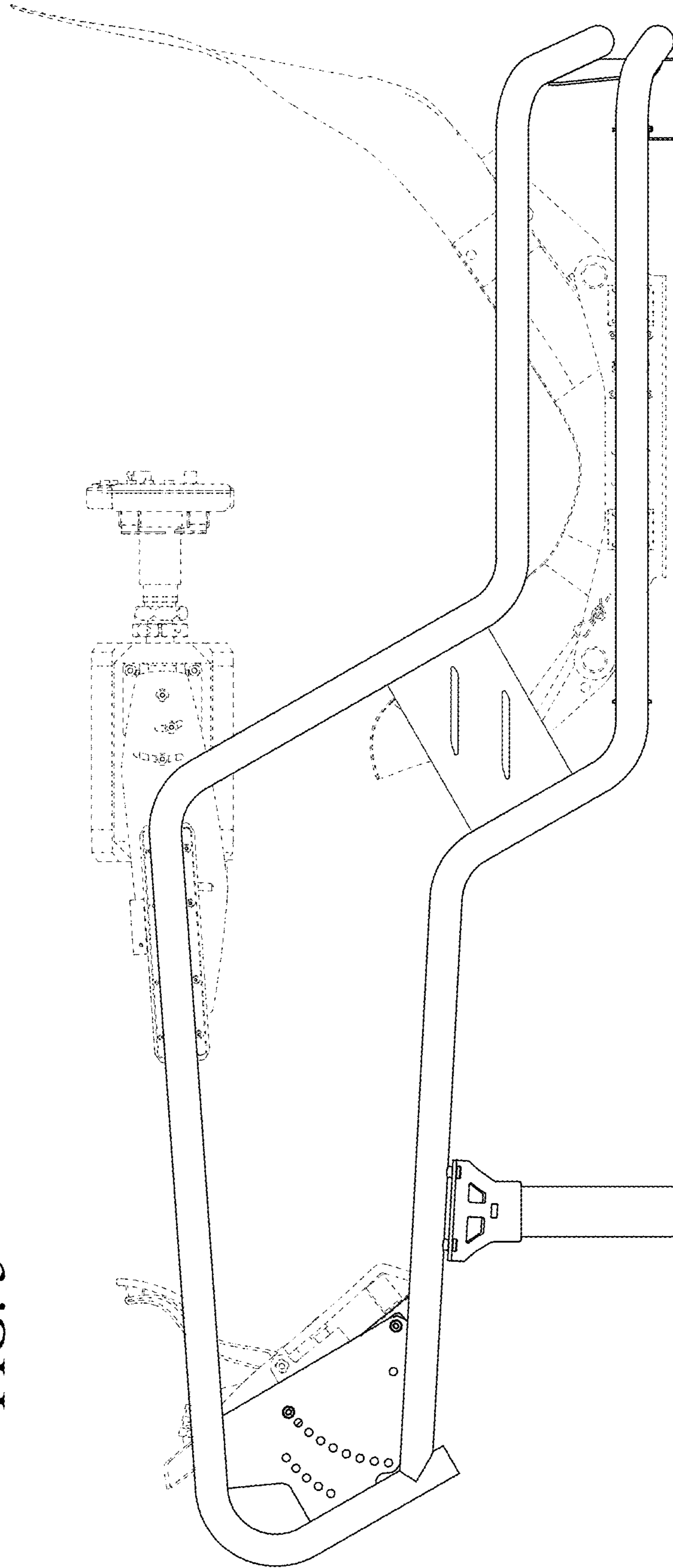


FIG. 6

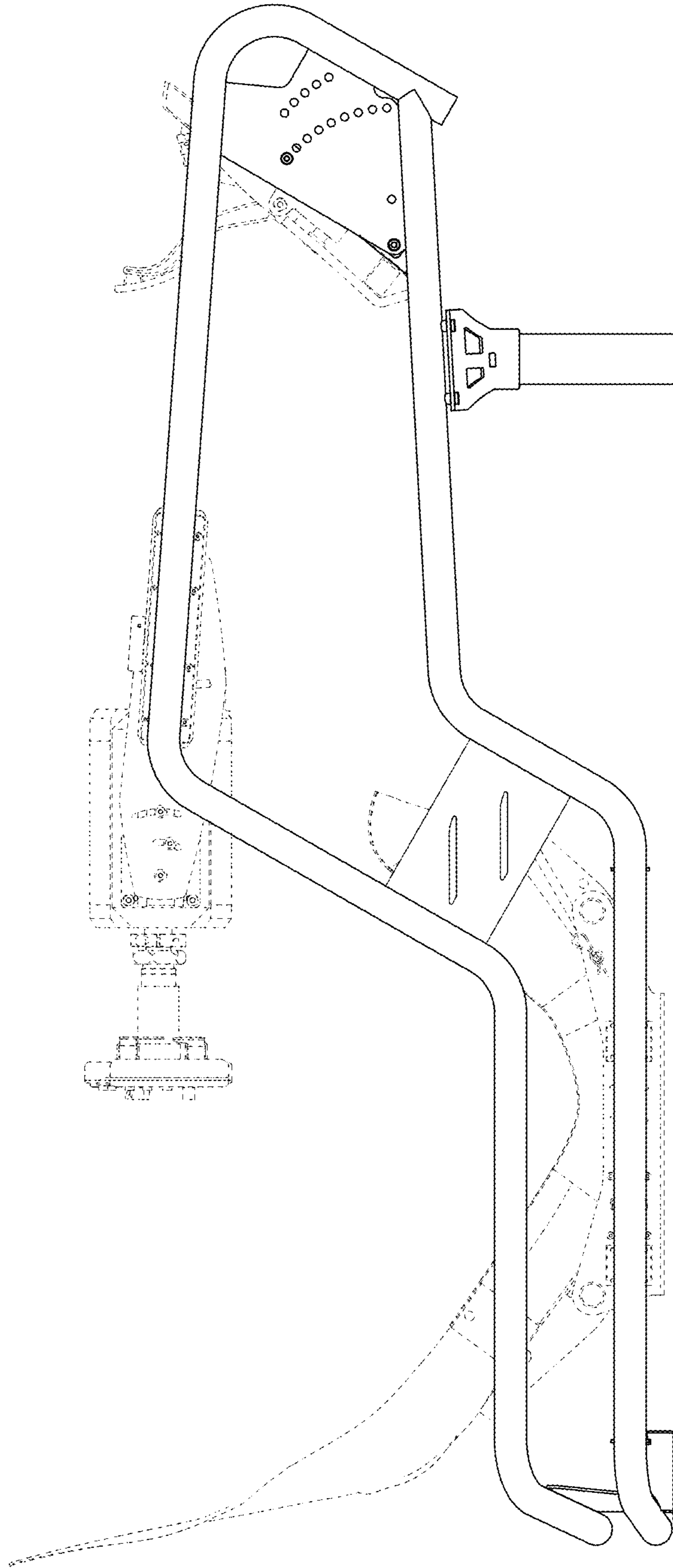


FIG. 7

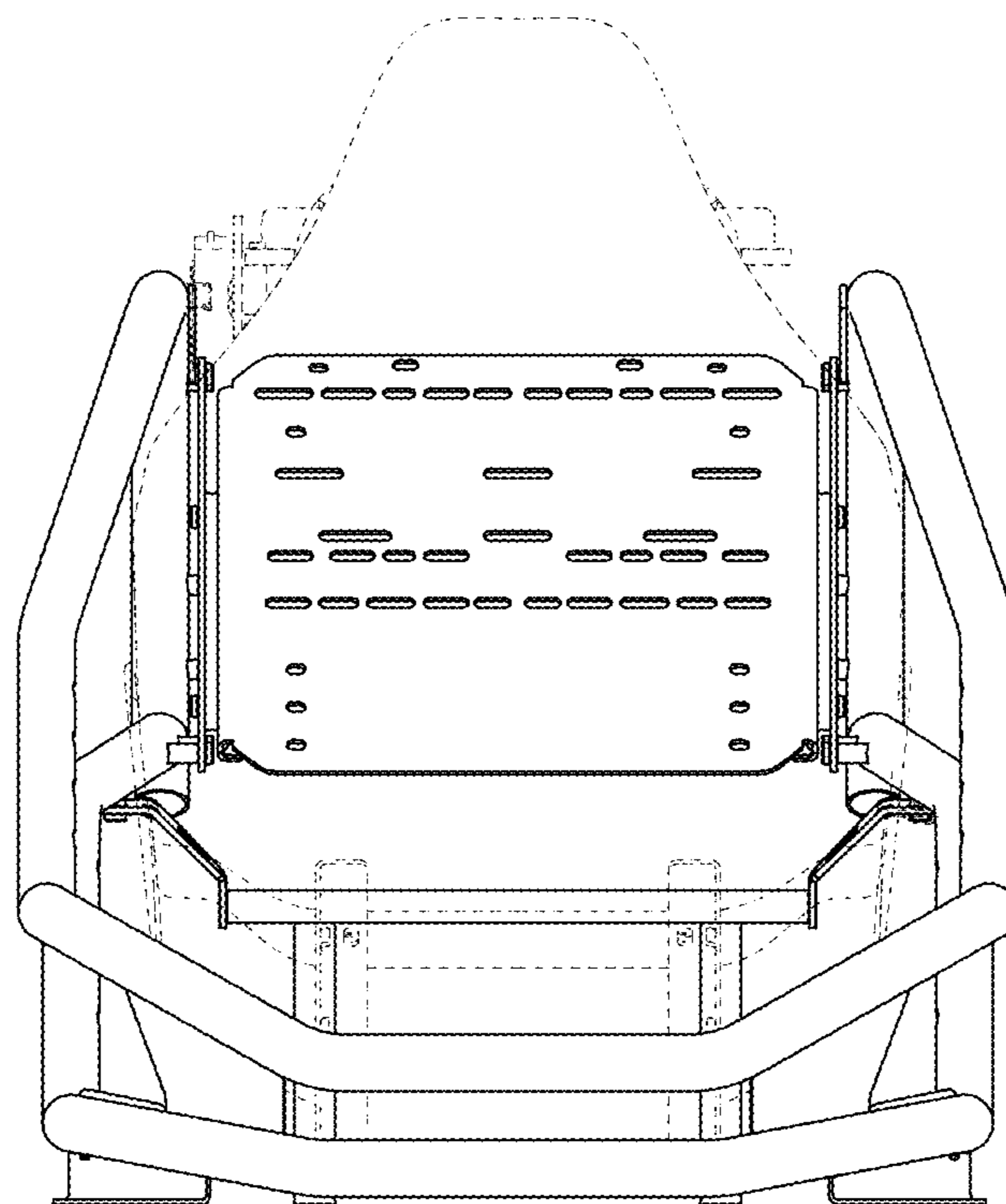
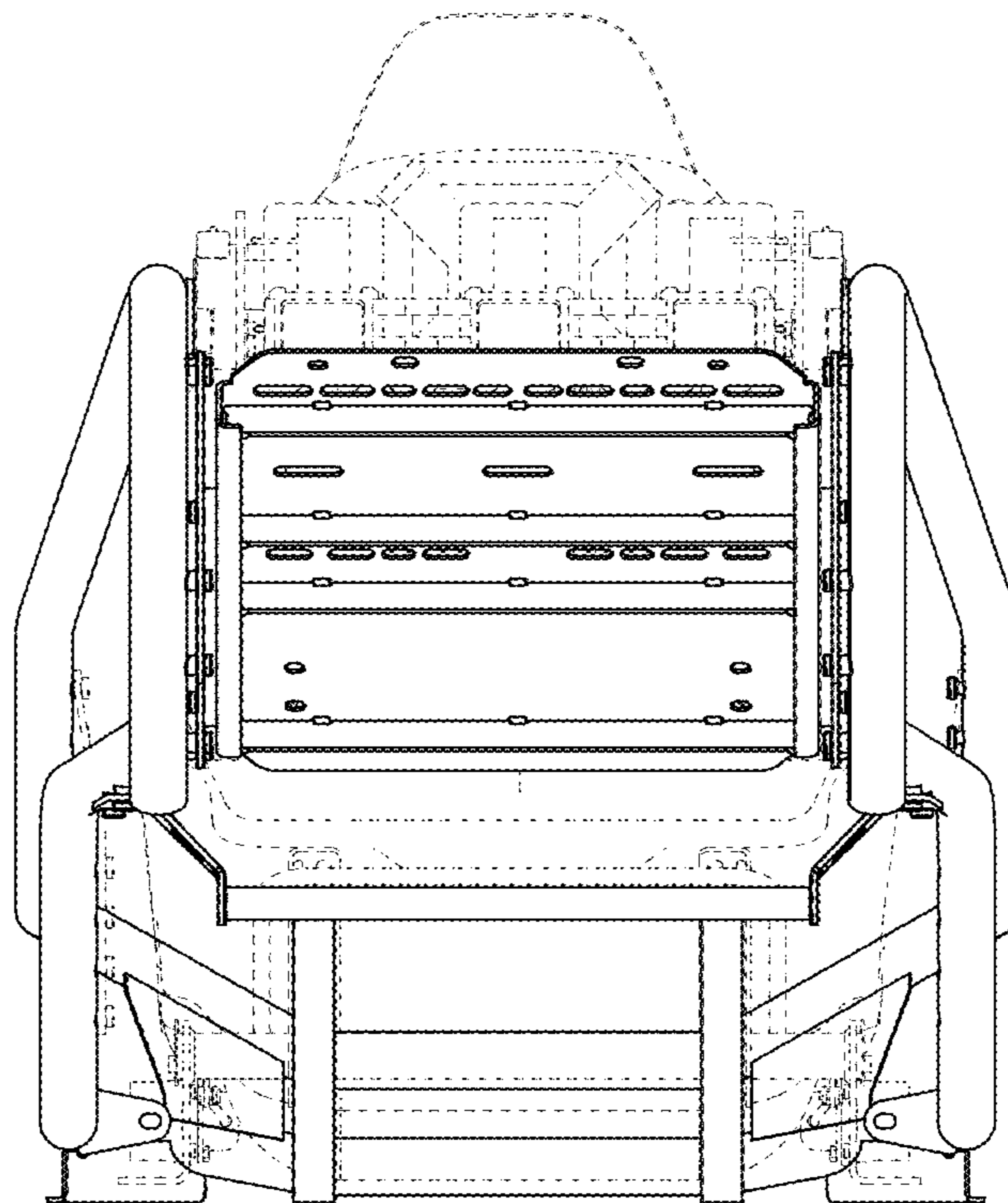


FIG. 8



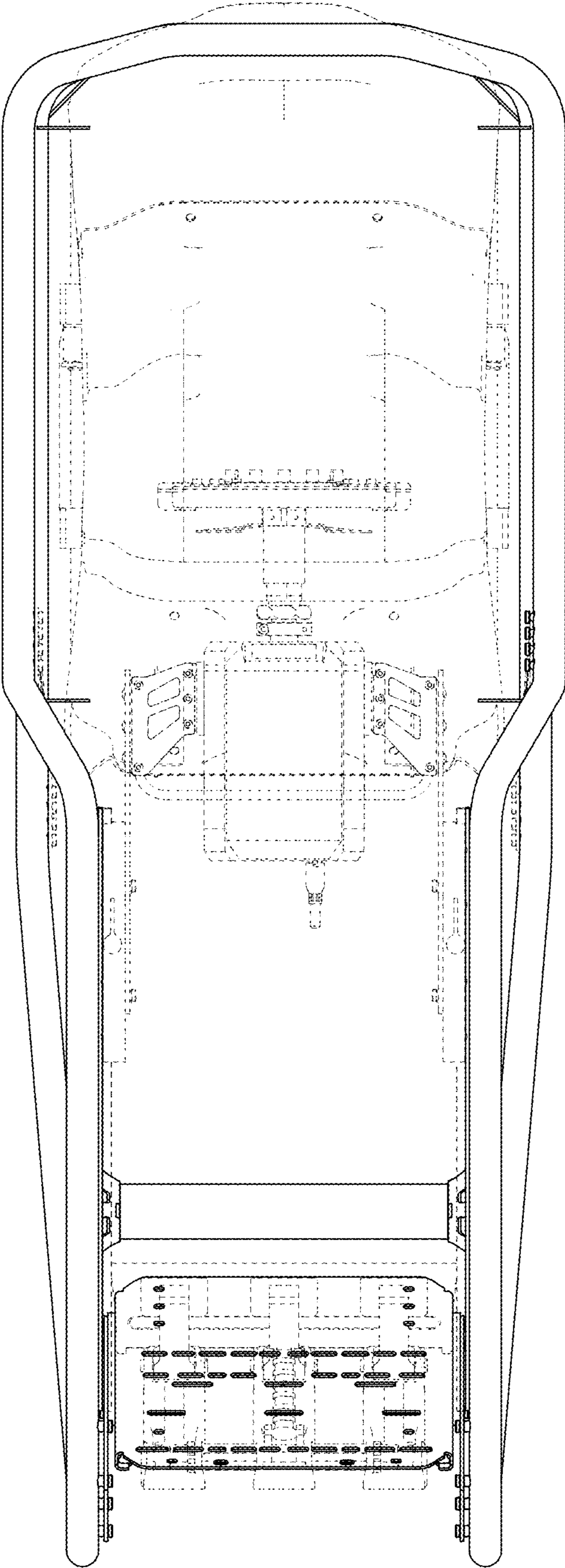


FIG. 9

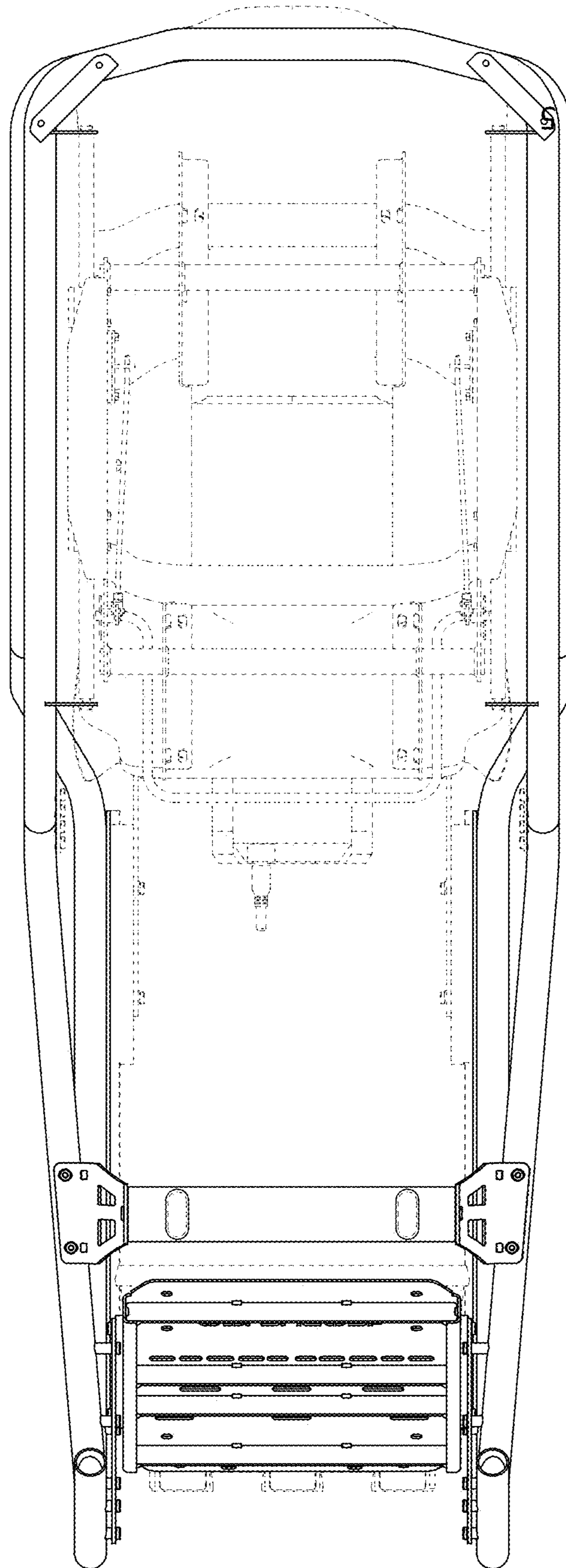


FIG.10