



US00D932548S

(12) **United States Design Patent** (10) **Patent No.:** **US D932,548 S**
Engler et al. (45) **Date of Patent:** **** *Oct. 5, 2021**

(54) **TABLE GAME**

D202,196 S * 9/1965 Beckman D6/646
D202,197 S * 9/1965 Beckman D6/656.17
3,290,108 A * 12/1966 Beckman A47B 17/04
312/281

(71) Applicant: **P&P Imports LLC**, Santa Ana, CA
(US)

(Continued)

(72) Inventors: **Peter Engler**, Newport Beach, CA
(US); **Peter Tanoury**, Newport Beach,
CA (US)

OTHER PUBLICATIONS

“KLask”, posted Oct. 28, 2015,[Retrieved May 6, 2020] from
internet: <https://www.youtube.com/watch?v=2VB68KfqO5o>.*

(Continued)

(*) Notice: This patent is subject to a terminal dis-
claimer.

(**) Term: **15 Years**

Primary Examiner — Sandra Snapp

Assistant Examiner — Mehri F Bajoul

(21) Appl. No.: **29/677,810**

(74) *Attorney, Agent, or Firm* — Casey H. Kempner;
Siamak S. Hefazi

(22) Filed: **Jan. 23, 2019**

(57) **CLAIM**

(51) **LOC (13) Cl.** **21-01**

The ornamental design for a table game, as shown and
described.

(52) **U.S. Cl.**

USPC **D21/312**

DESCRIPTION

(58) **Field of Classification Search**

USPC D21/300, 301, 302, 303, 304, 312, 319,
D21/334, 335, 336, 341, 342, 343, 365,
D21/379, 385, 386, 390, 396, 699, 789,
D21/790, 791, 793, 794, 397; D23/201,
D23/213, 214; D6/302, 309, 310, 312,
D6/332, 653.21, 654.14, 655.21, 655.22,
D6/656.15–656.18, 688.14, 708, 709, 684,
D6/686, 692, 691.4, 656.16, 708.17,
D6/709.21, 712, 713, 717; 273/317,
273/317.1, 317.5, 342; D9/433

CPC A63B 67/00; A63B 71/00; A63B 63/00;
A63B 63/08; A63B 67/06

See application file for complete search history.

FIG. 1 is a perspective view of a table game showing the
claimed design.

FIG. 2 is a perspective view of the table game shown in FIG.
1.

FIG. 3 is a top view of the table game shown in FIG. 1. FIG.
3 includes a trademark for “MAGNA BALL” owned by
P&P Imports LLC. The trademark does not form part of the
claimed design.

FIG. 4 is a bottom view of the table game shown in FIG. 1.
FIG. 5 is a left-side view of the table game shown in FIG.
1.

FIG. 6 is a front-side view of the table game shown in FIG.
1.

FIG. 7 is a right-side view of the table game shown in FIG.
1; and,

FIG. 8 is a back-side view of the table game shown in FIG.
1.

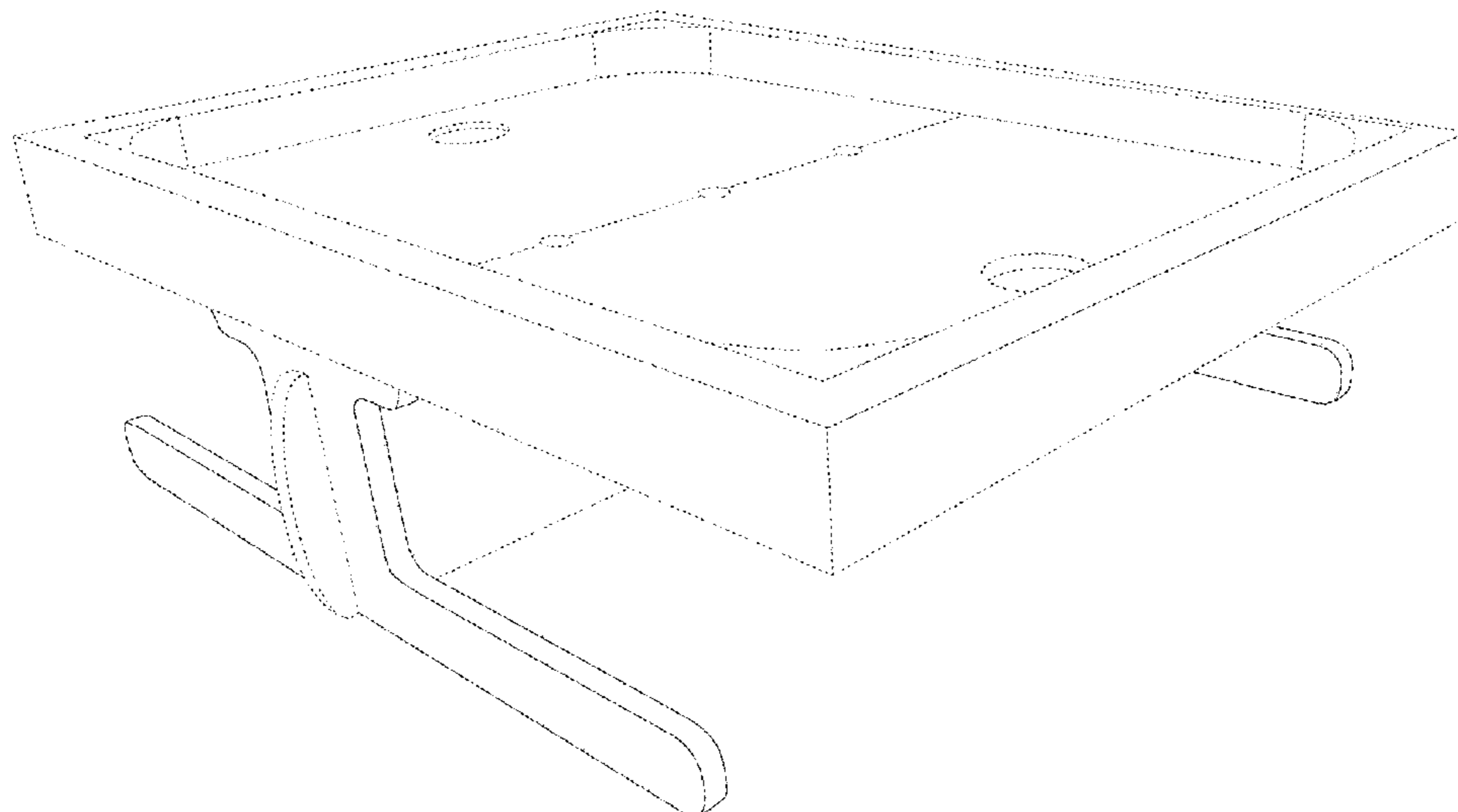
The broken lines in the figures show portions of the table
game that form no part of the claimed design.

(56) **References Cited**

U.S. PATENT DOCUMENTS

D62,935 S * 8/1923 Bockstege D6/686
D134,456 S * 12/1942 Hillenbrand D6/406.1
D141,883 S * 7/1945 Sewell D21/312
D167,145 S * 7/1952 Harmon D6/656.11

1 Claim, 8 Drawing Sheets



(56)

References Cited

U.S. PATENT DOCUMENTS

- | | | | | | |
|-----------|------|---------|------------|-------|-------------------------|
| D214,567 | S * | 7/1969 | Schaefer | | D6/709 |
| D219,390 | S * | 12/1970 | Johnson | | D21/316 |
| D226,277 | S * | 2/1973 | Sparacino | | D21/312 |
| 3,758,182 | A * | 9/1973 | Barecki | | A47B 41/00
312/194 |
| D238,953 | S * | 2/1976 | Cecchetti | | D21/312 |
| D246,805 | S * | 12/1977 | Gruenhut | | D21/312 |
| D254,586 | S * | 4/1980 | Koves | | D6/708 |
| D281,299 | S * | 11/1985 | Esslinger | | D6/702 |
| 4,688,748 | A * | 8/1987 | Pruyser | | A47B 21/06
248/188.7 |
| 4,884,513 | A * | 12/1989 | Newhouse | | A47B 21/06
108/50.02 |
| D311,833 | S * | 11/1990 | Newhouse | | D6/656.16 |
| D312,177 | S * | 11/1990 | Walter | | D6/332 |
| D314,299 | S * | 2/1991 | Diffrient | | D6/709 |
| D320,513 | S * | 10/1991 | Atkins | | D6/686 |
| D322,729 | S * | 12/1991 | Diffrient | | D6/656.17 |
| D335,787 | S * | 5/1993 | Hollington | | D6/656.17 |
| D364,920 | S * | 12/1995 | Amborski | | D23/410 |
| D391,101 | S * | 2/1998 | Robertson | | D6/708 |
| D429,448 | S * | 8/2000 | Nottingham | | D3/276 |
| 6,415,723 | B1 * | 7/2002 | Kopish | | A47B 3/0815
108/128 |
| D466,331 | S * | 12/2002 | Chang | | D6/681.1 |
| D510,821 | S * | 10/2005 | Madison | | D6/655.21 |
| D536,193 | S * | 2/2007 | Sapp | | D14/305 |
| D545,597 | S * | 7/2007 | Aubriot | | D6/708 |
| D582,703 | S * | 12/2008 | Bauer | | D6/709 |
| D586,591 | S * | 2/2009 | Stoller | | D6/708 |
| D598,035 | S * | 8/2009 | Hoshor | | D15/133 |
| D600,286 | S * | 9/2009 | Pruitt | | D21/303 |
| D644,044 | S * | 8/2011 | Kitajima | | D6/656.17 |
| D644,855 | S * | 9/2011 | Saito | | D6/656.17 |
| D659,429 | S * | 5/2012 | Mendoza | | D6/712 |
| D729,320 | S * | 5/2015 | Parker | | D21/303 |
| 9,814,307 | B1 * | 11/2017 | Hall | | A61G 13/009 |
| D826,600 | S * | 8/2018 | Yamamoto | | D6/656.16 |
| D831,392 | S * | 10/2018 | Mainzer | | D6/691.5 |
| D833,785 | S * | 11/2018 | Baylar | | D6/691.4 |
| D835,652 | S * | 12/2018 | Bacus | | D14/486 |
| D838,126 | S * | 1/2019 | Hu | | D6/655.21 |
| D872,505 | S * | 1/2020 | Cleland | | D6/656.17 |
| D873,055 | S * | 1/2020 | Kitada | | D6/656.17 |
| D877,544 | S * | 3/2020 | Hu | | D6/656.16 |
| D879,513 | S * | 3/2020 | Pei | | D6/656.15 |
| D879,515 | S * | 3/2020 | Goldberg | | D6/656.16 |
| D887,182 | S * | 6/2020 | Walker | | D6/655.21 |

OTHER PUBLICATIONS

Klask—The Exciting Mix of Air Hockey, Table Football and Magnets, <https://www.amazon.com/Klask-Exciting-Hockey-Football-Magnets/dp/B06XC5T7C6>, Published at least as early as Apr. 23, 2019.

* cited by examiner

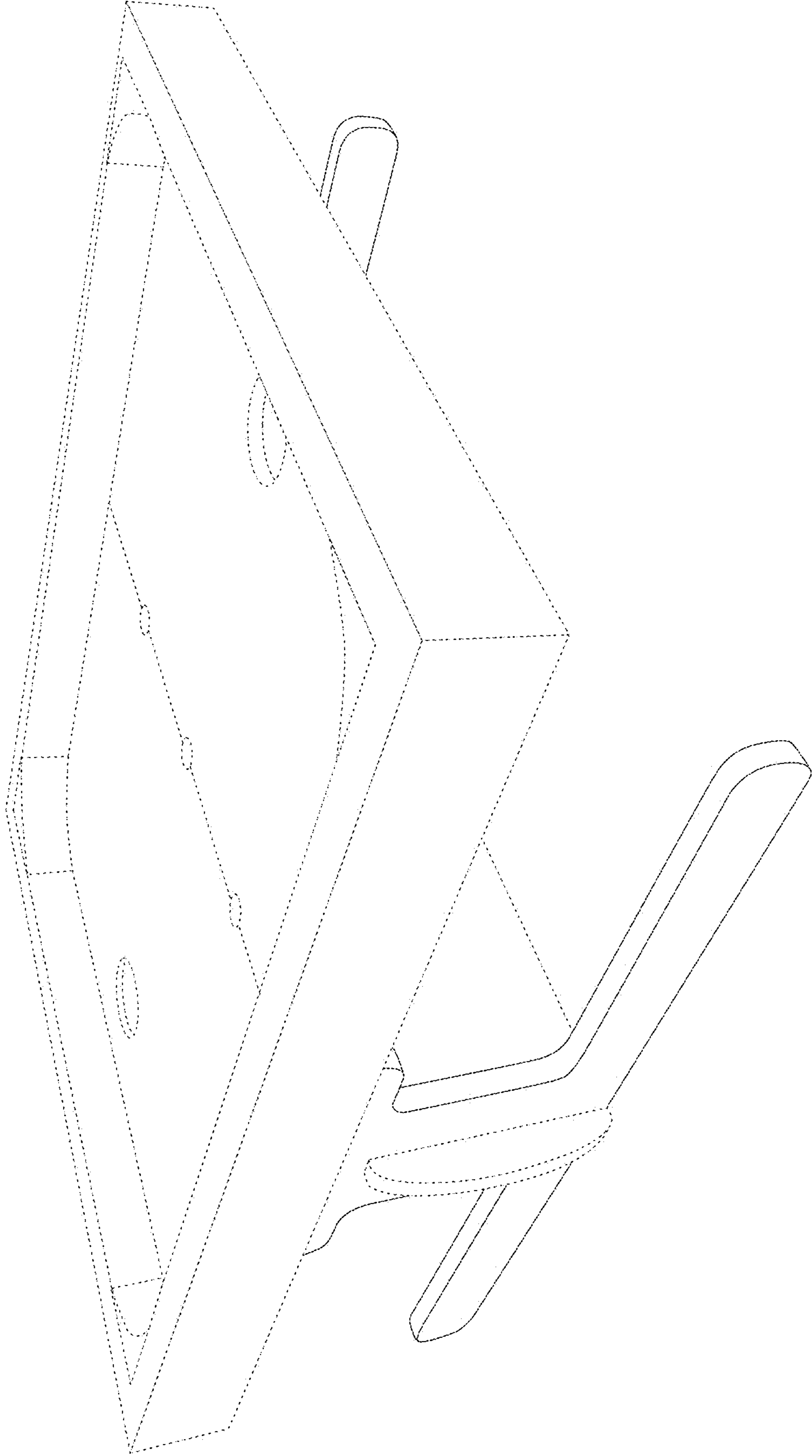


FIG. 1

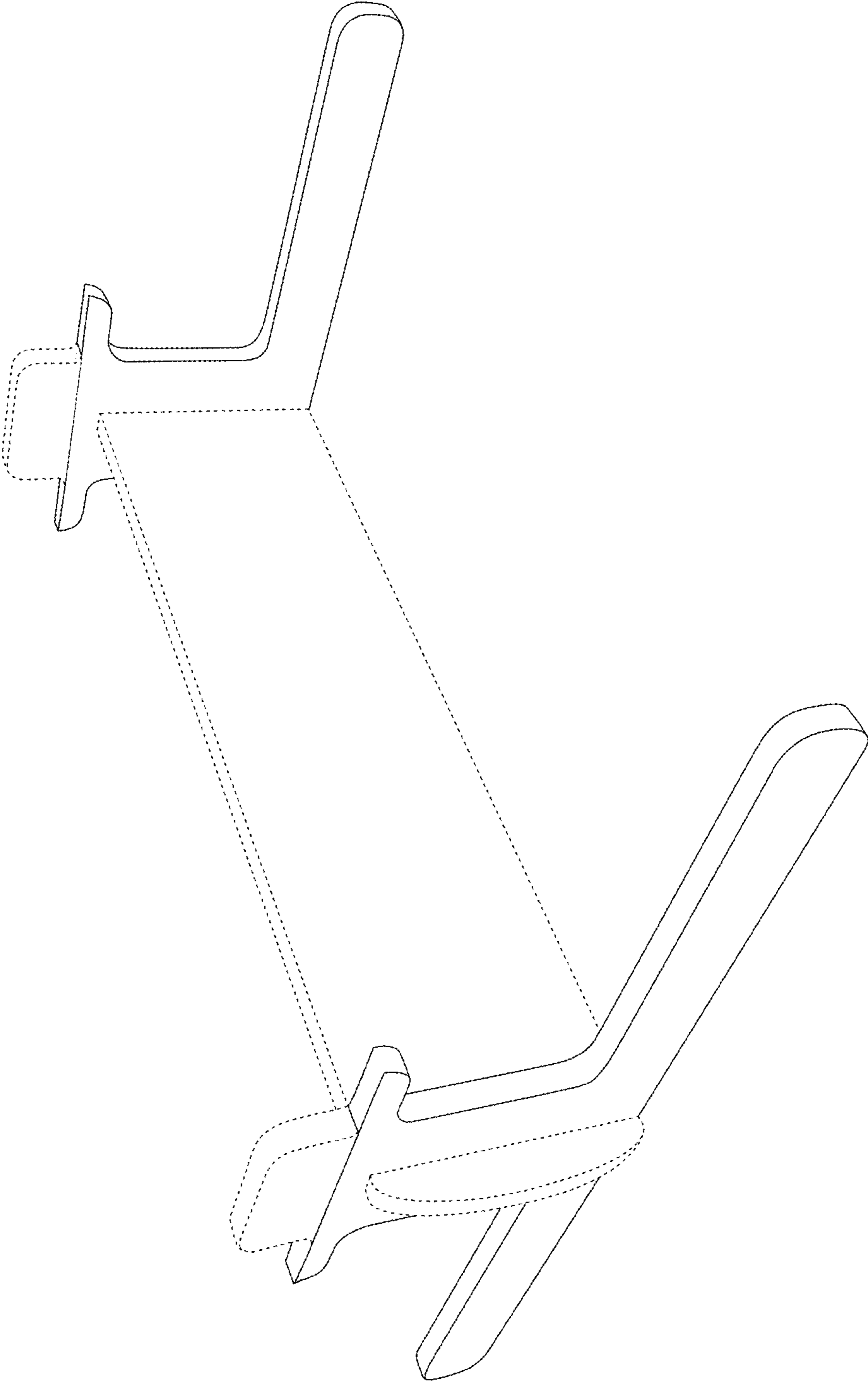


FIG. 2

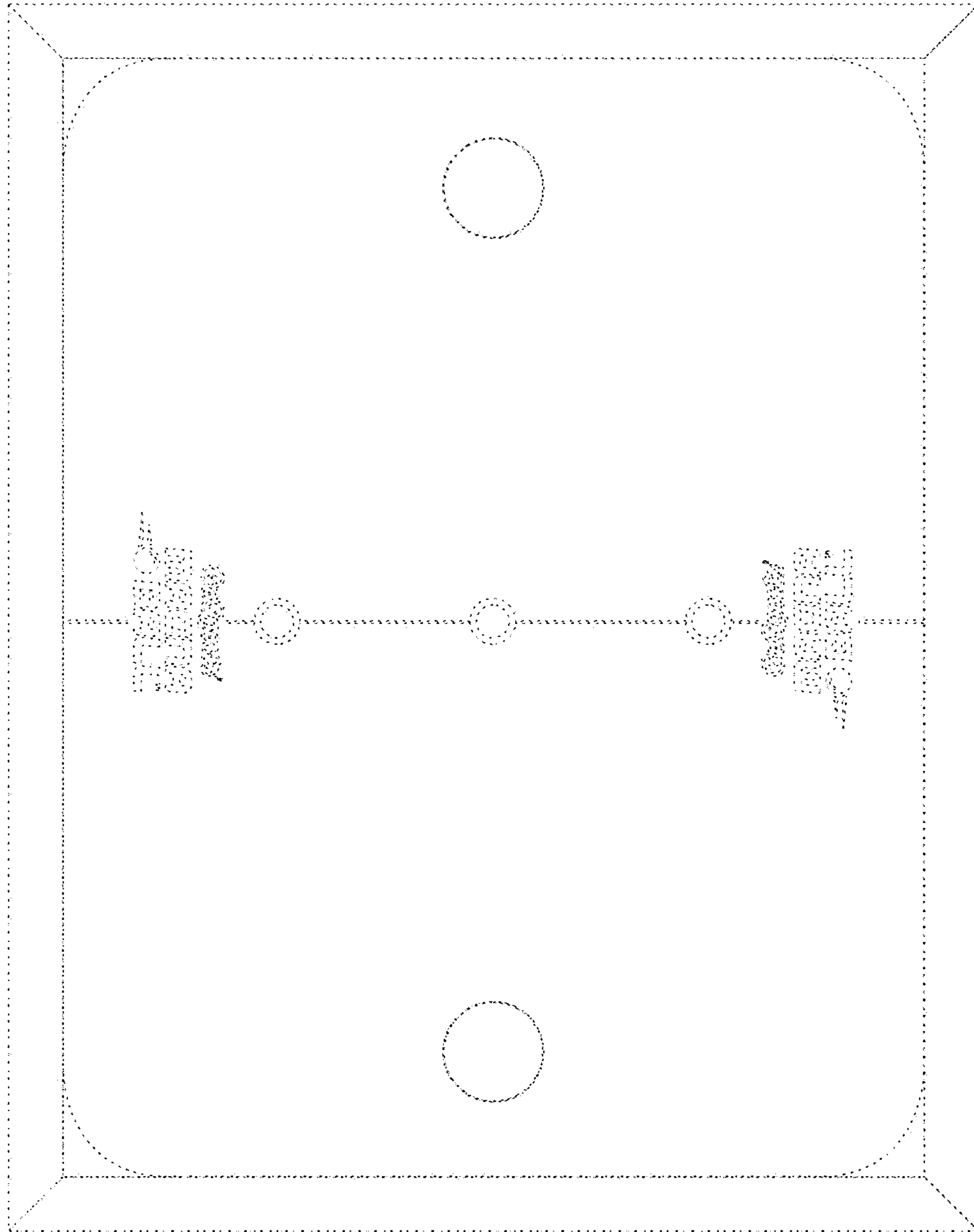


FIG. 3

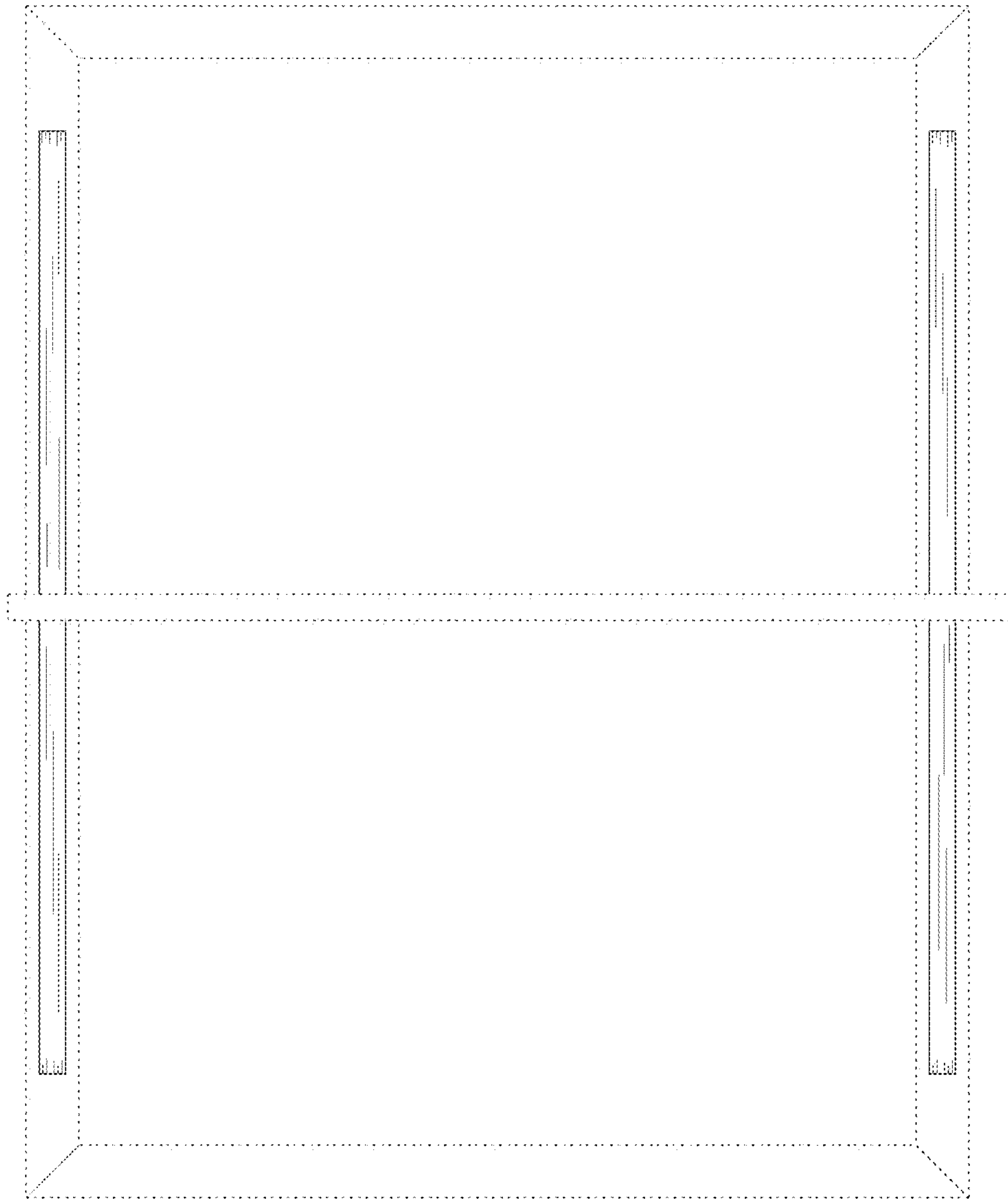


FIG. 4

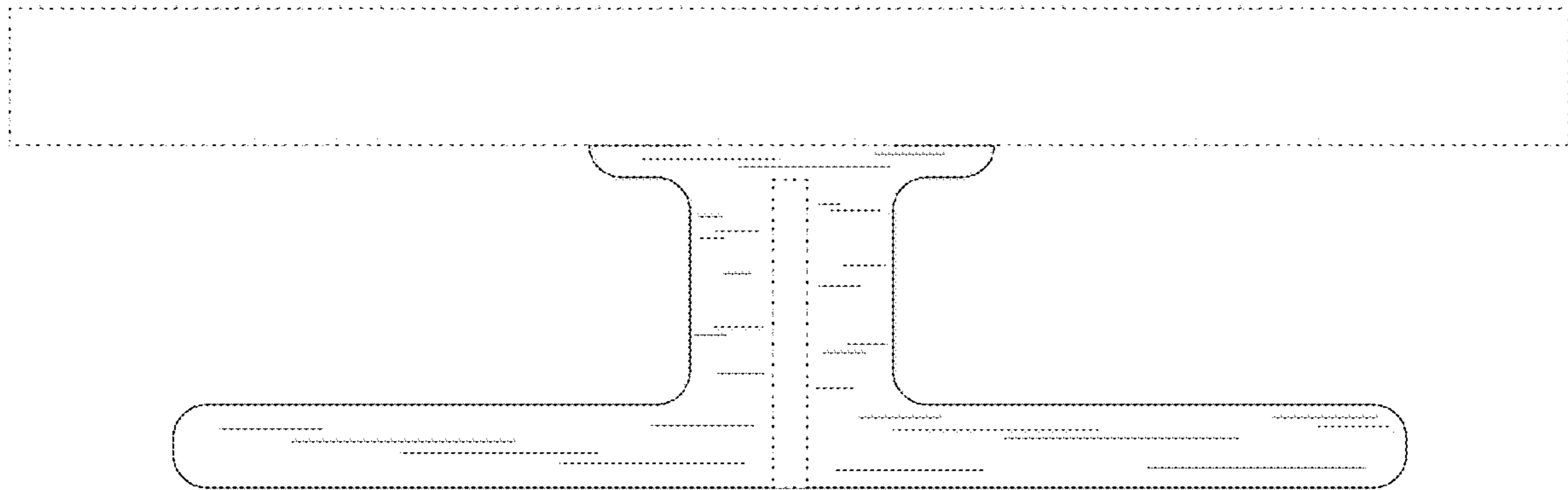


FIG. 5



FIG. 6

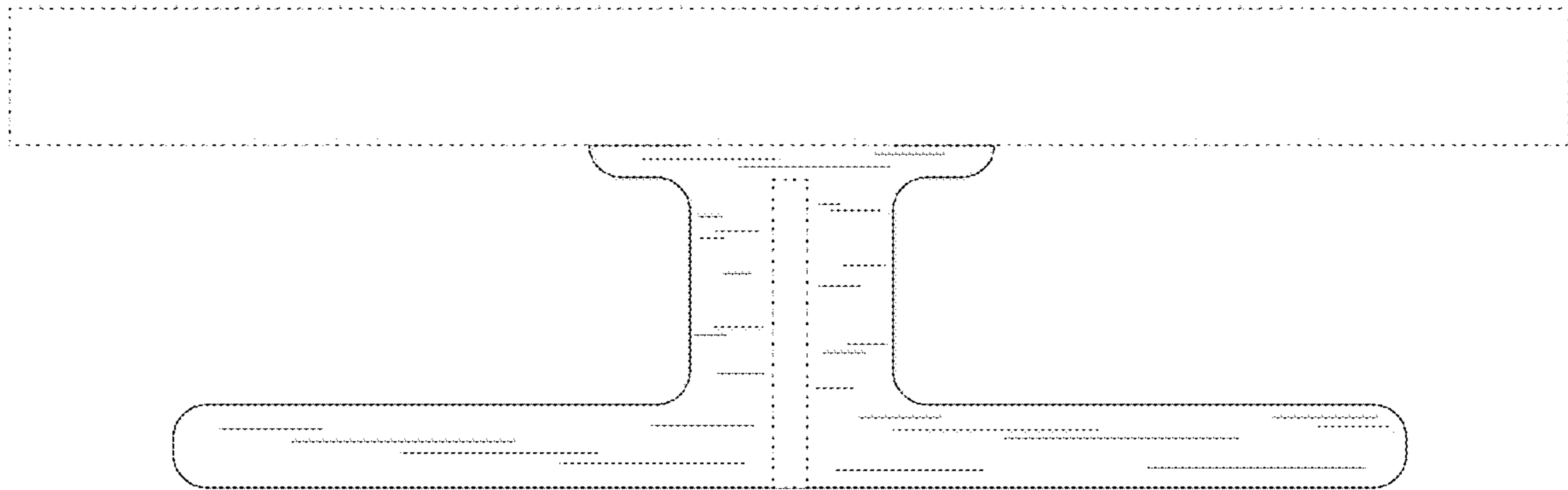


FIG. 7



FIG. 8