



US00D932546S

(12) **United States Design Patent**  
**Wang**

(10) **Patent No.:** **US D932,546 S**  
(45) **Date of Patent:** **\*\* Oct. 5, 2021**

- (54) **WHITEBOARD**
- (71) Applicant: **QINGDAO CHAORAN HOUSEHOLD PRODUCTS CO., LTD., Qingdao (CN)**
- (72) Inventor: **Zheng Wang, Qingdao (CN)**
- (73) Assignee: **QINGDAO CHAORAN HOUSEHOLD PRODUCTS CO., LTD., Qingdao (CN)**
- (\*\*) Term: **15 Years**
- (21) Appl. No.: **29/753,062**
- (22) Filed: **Sep. 29, 2020**
- (51) **LOC (13) Cl.** ..... **19-06**
- (52) **U.S. Cl.**  
USPC ..... **D19/113**
- (58) **Field of Classification Search**  
USPC ..... D19/113, 114; D7/698, 699; D14/315, D14/342; D20/10, 27, 39, 40, 42  
CPC ... B44D 3/18; B43L 1/00; B43L 1/008; B43L 1/04; B43L 1/06; B43L 1/08; B43L 1/10; B43L 1/12; B43L 1/126; G09F 15/00; G09F 15/005; G09F 19/14  
See application file for complete search history.

- (56) **References Cited**  
U.S. PATENT DOCUMENTS
- 889,863 A \* 6/1908 Tzschachmann ..... A47B 97/08 248/465
- 1,659,395 A \* 2/1928 Douglas ..... B42F 13/402 402/70
- 2,676,777 A \* 4/1954 Moushon ..... G09F 1/06 248/463
- 3,226,863 A \* 1/1966 Southard ..... B42D 5/043 40/120
- 3,758,065 A \* 9/1973 Ranseen ..... G09F 5/00 248/459

- D251,082 S \* 2/1979 Petrie ..... D19/20
- 4,607,817 A \* 8/1986 Aquino ..... A47B 23/044 206/214
- 5,080,316 A \* 1/1992 MacEwan ..... A47B 19/08 248/174
- 6,003,253 A \* 12/1999 Abplanalp ..... B44D 3/185 160/404
- D544,922 S \* 6/2007 Shaffer ..... D20/10
- D604,983 S \* 12/2009 Rossell ..... D19/3
- D627,824 S 11/2010 Nakayama et al.
- D649,190 S 11/2011 Goodall
- D673,158 S \* 12/2012 Yang ..... D14/440
- D674,016 S \* 1/2013 Letterle ..... D19/113
- D694,245 S \* 11/2013 Sanz ..... D14/440
- D706,761 S \* 6/2014 Lee ..... D14/315
- D707,229 S \* 6/2014 Almodova ..... D14/440
- 9,215,916 B2 \* 12/2015 Kim ..... G06F 1/166
- 9,634,711 B2 \* 4/2017 Sirichai ..... A45C 11/00
- 9,918,534 B2 \* 3/2018 Saila ..... A45C 11/00

(Continued)

Primary Examiner — Elizabeth A. Albert

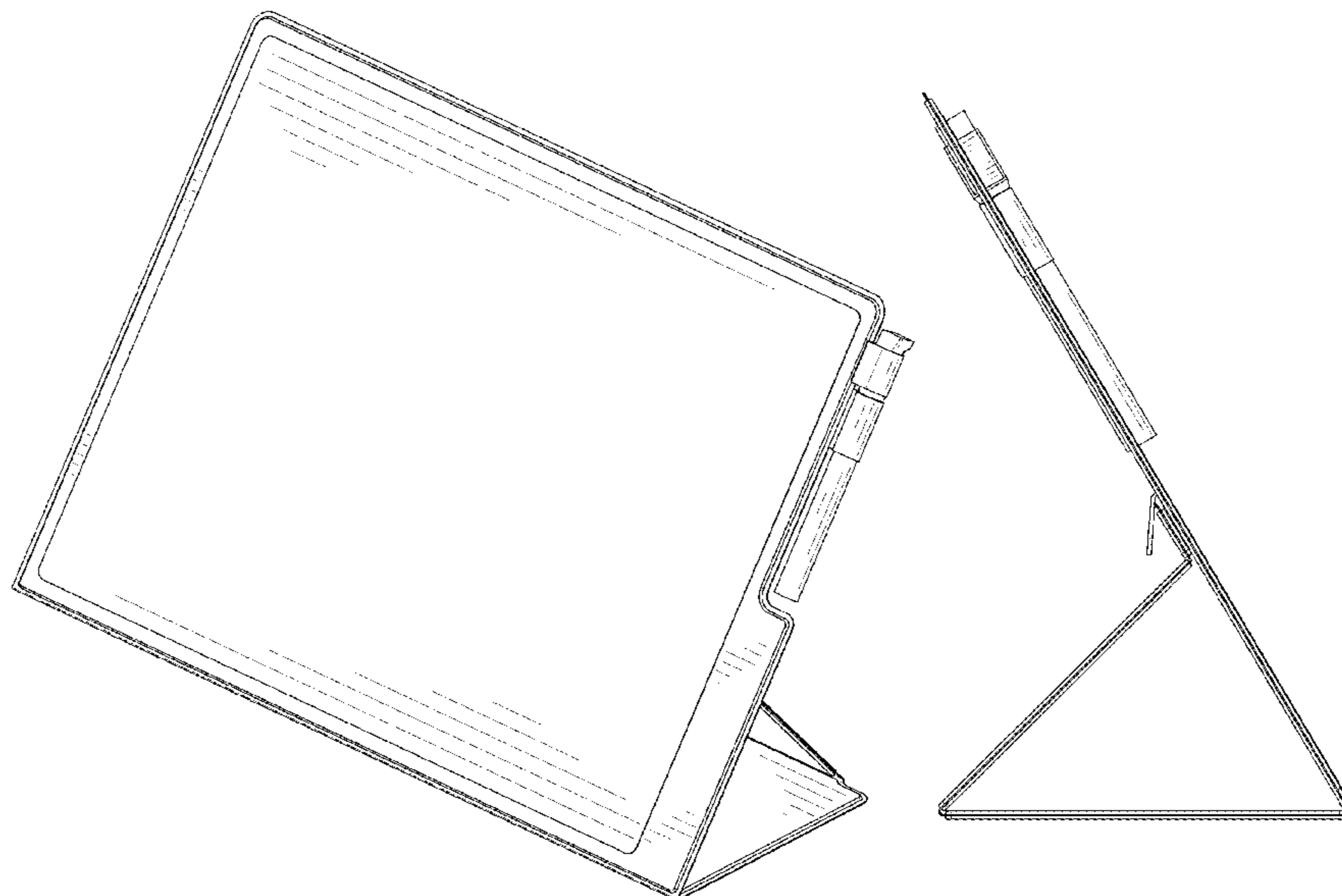
(57) **CLAIM**

The ornamental design for a whiteboard, as shown and described.

**DESCRIPTION**

FIG. 1 is a perspective view of a whiteboard showing my new design;  
 FIG. 2 is another perspective view thereof;  
 FIG. 3 is a front elevational view thereof;  
 FIG. 4 is a rear elevational view thereof;  
 FIG. 5 is a left side elevational view thereof;  
 FIG. 6 is a right side elevational view thereof;  
 FIG. 7 is a top plan view thereof;  
 FIG. 8 is a bottom plan view thereof;  
 FIG. 9 is a perspective view of the whiteboard where the whiteboard is in a configuration of use; and,  
 FIG. 10 is an enlarged view of portion 10 shown in FIG. 2.

**1 Claim, 10 Drawing Sheets**



(56)

**References Cited**

U.S. PATENT DOCUMENTS

D827,650 S \* 9/2018 Diebel ..... G06F 1/1628  
D14/440  
D874,460 S \* 2/2020 Mitchell ..... D14/389  
D894,276 S 8/2020 Knapp et al.  
D910,750 S \* 2/2021 Hsian ..... D19/113  
2011/0297566 A1\* 12/2011 Gallagher ..... F16M 11/105  
206/320  
2015/0151887 A1\* 6/2015 Huang ..... A45C 11/00  
224/191  
2015/0282354 A1\* 10/2015 Spollen ..... H05K 5/03  
206/45.2

\* cited by examiner

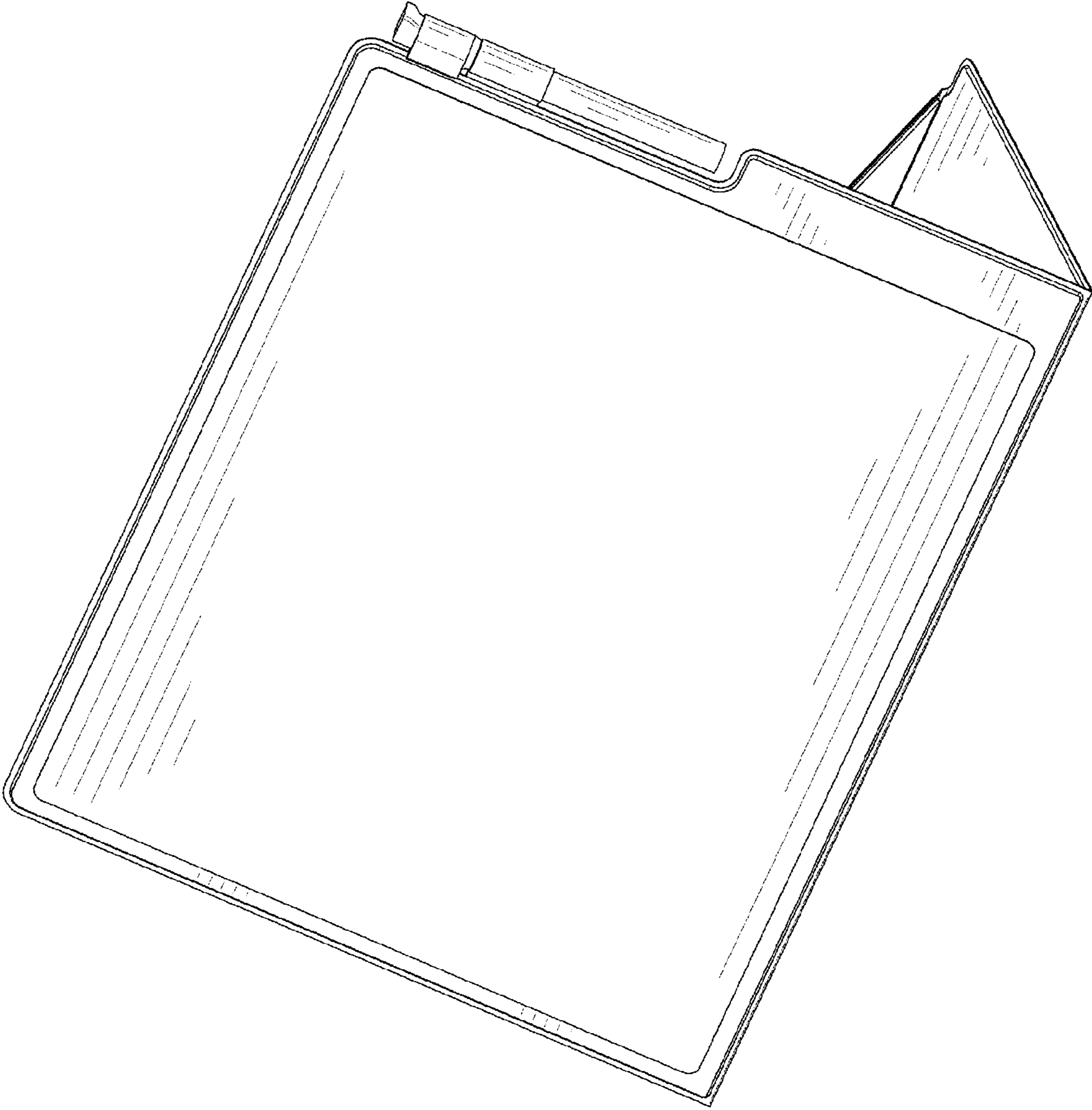


FIG. 1

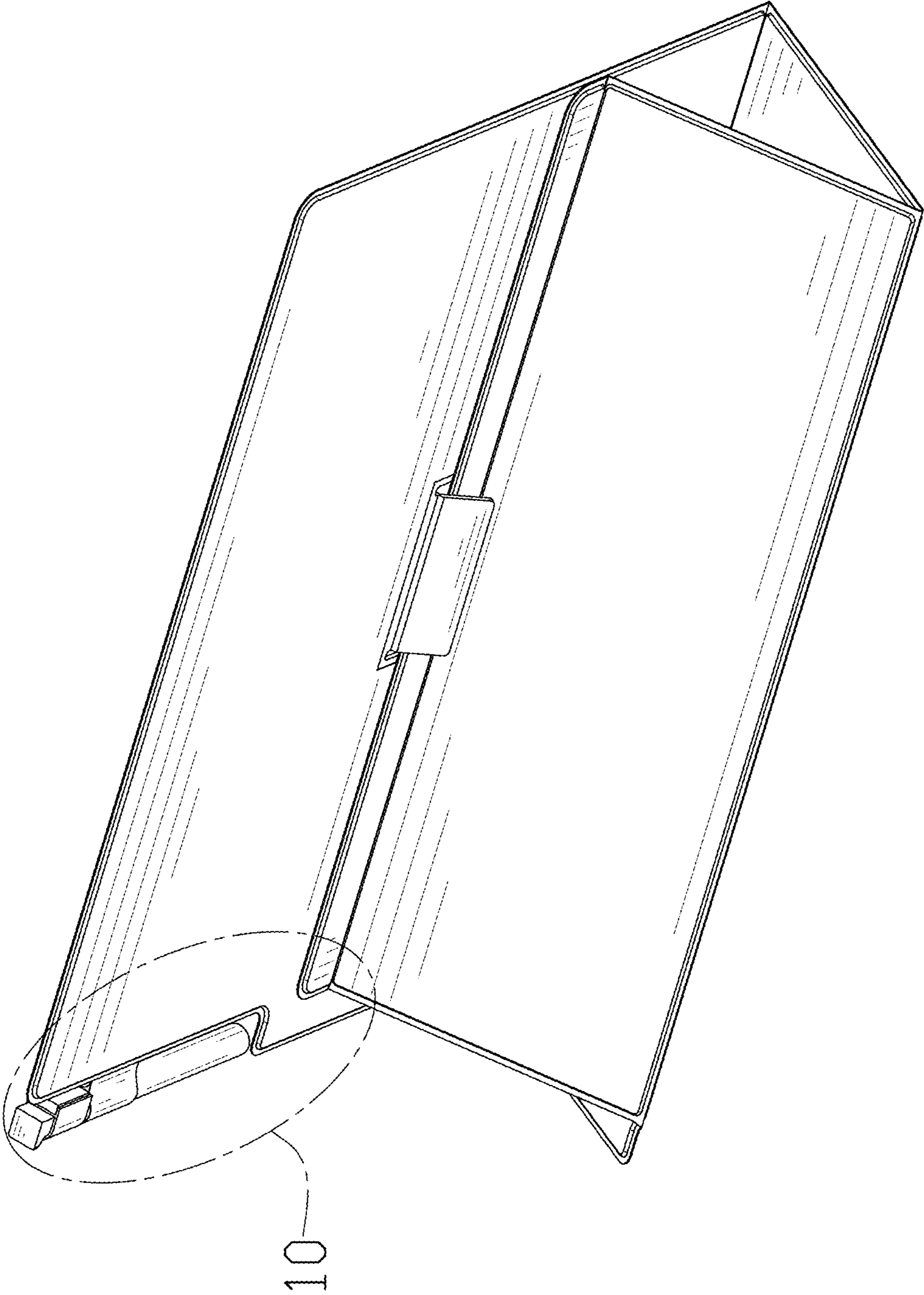


FIG. 2

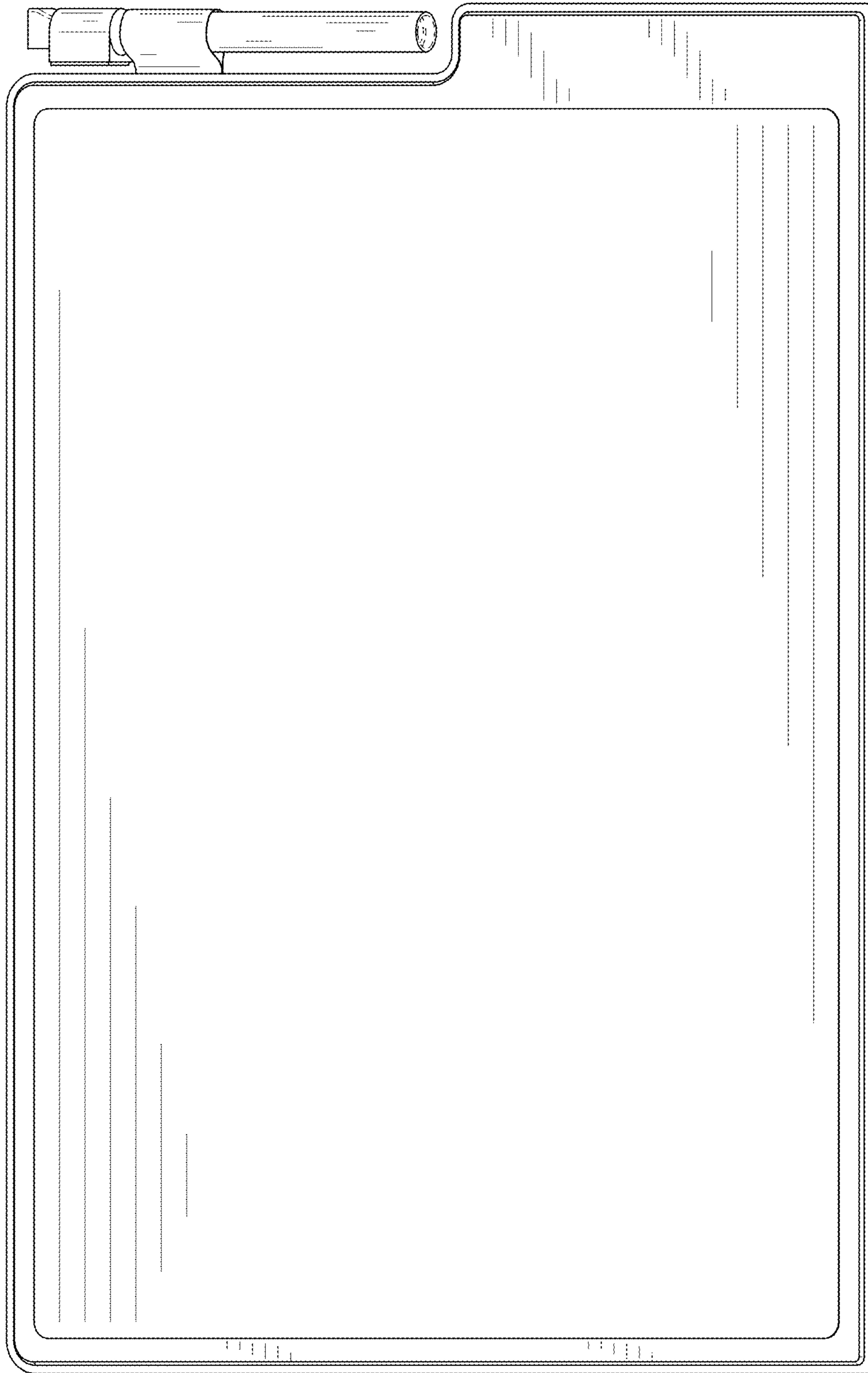


FIG. 3

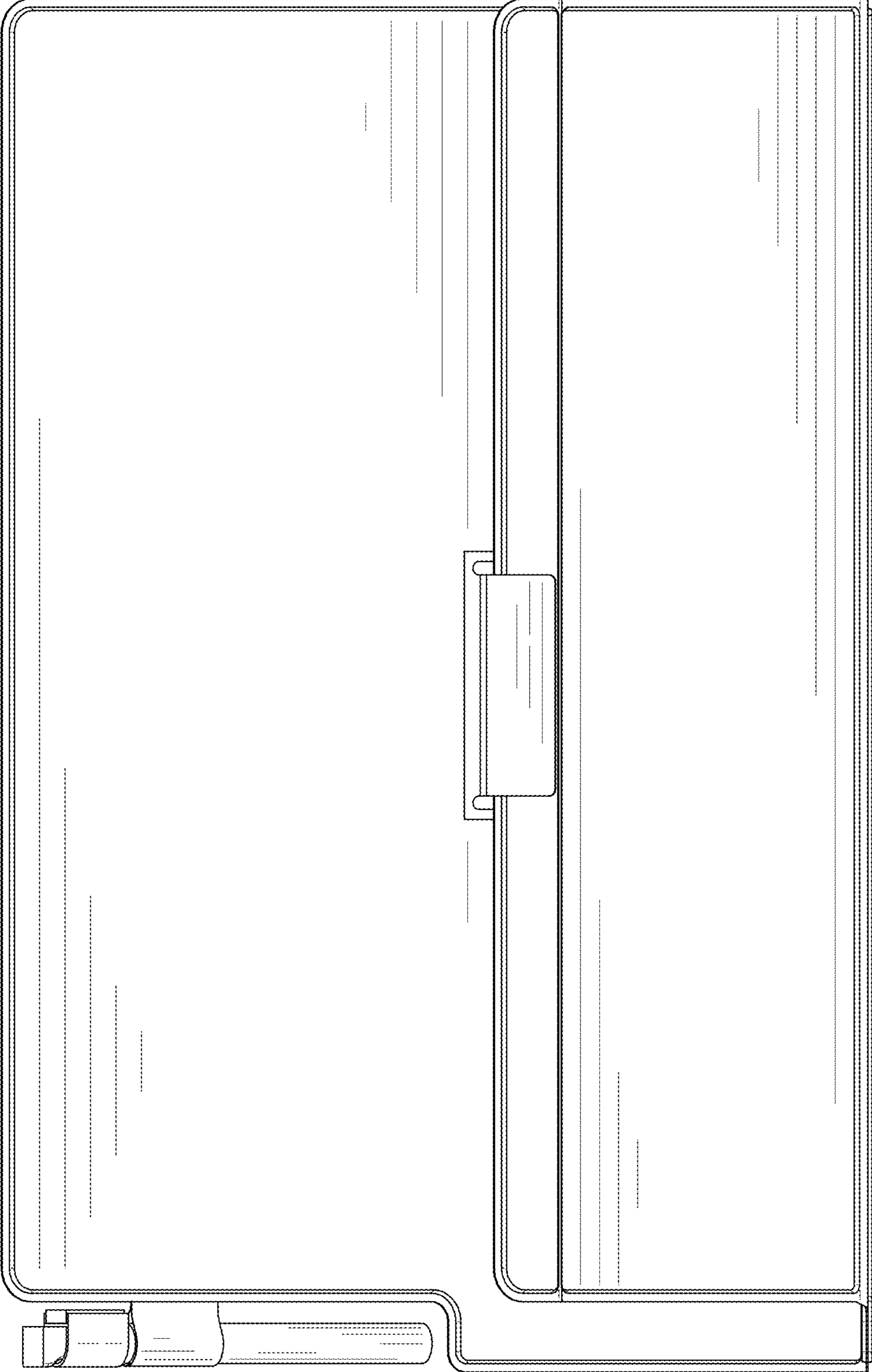


FIG. 4

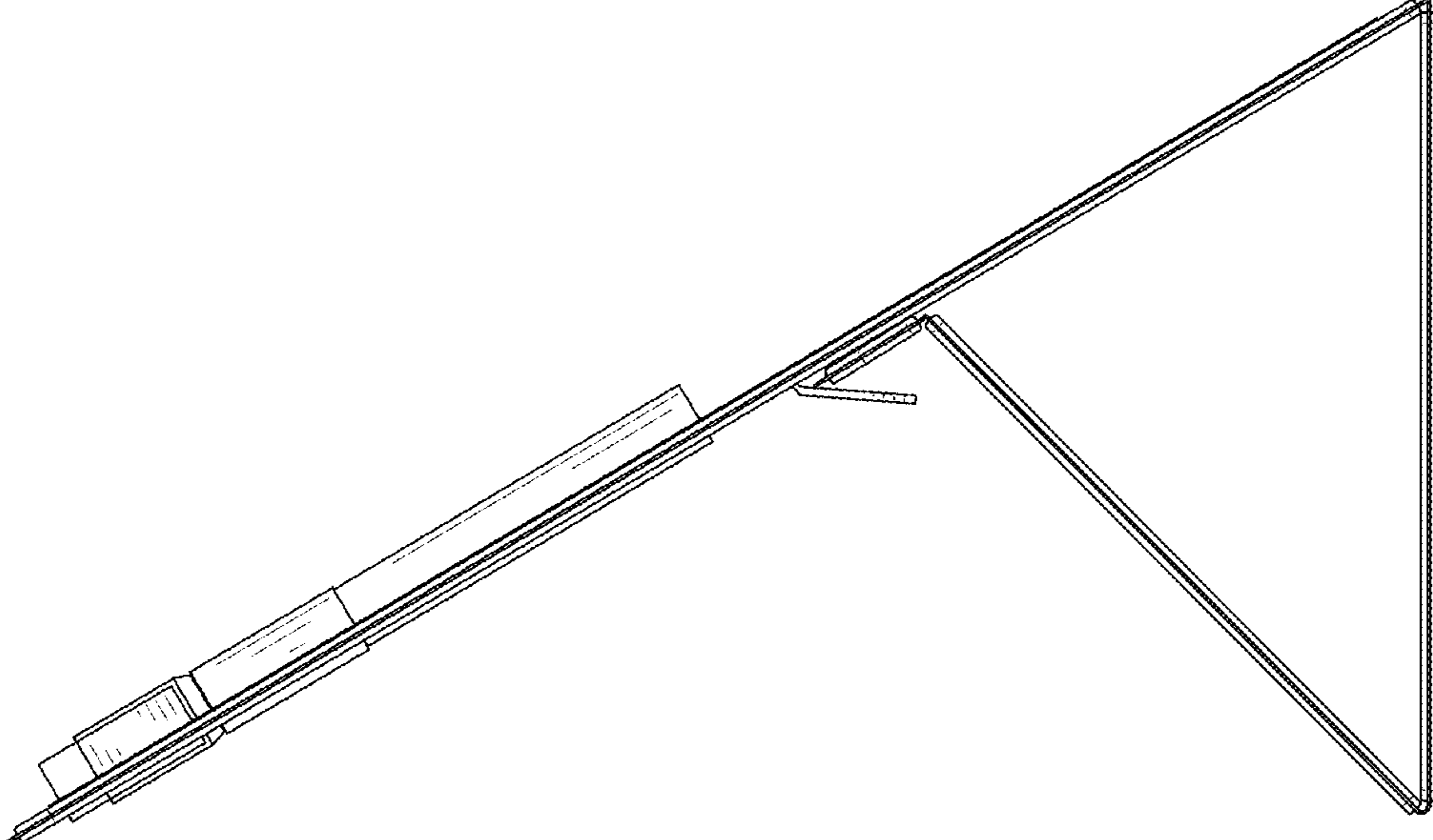


FIG. 5

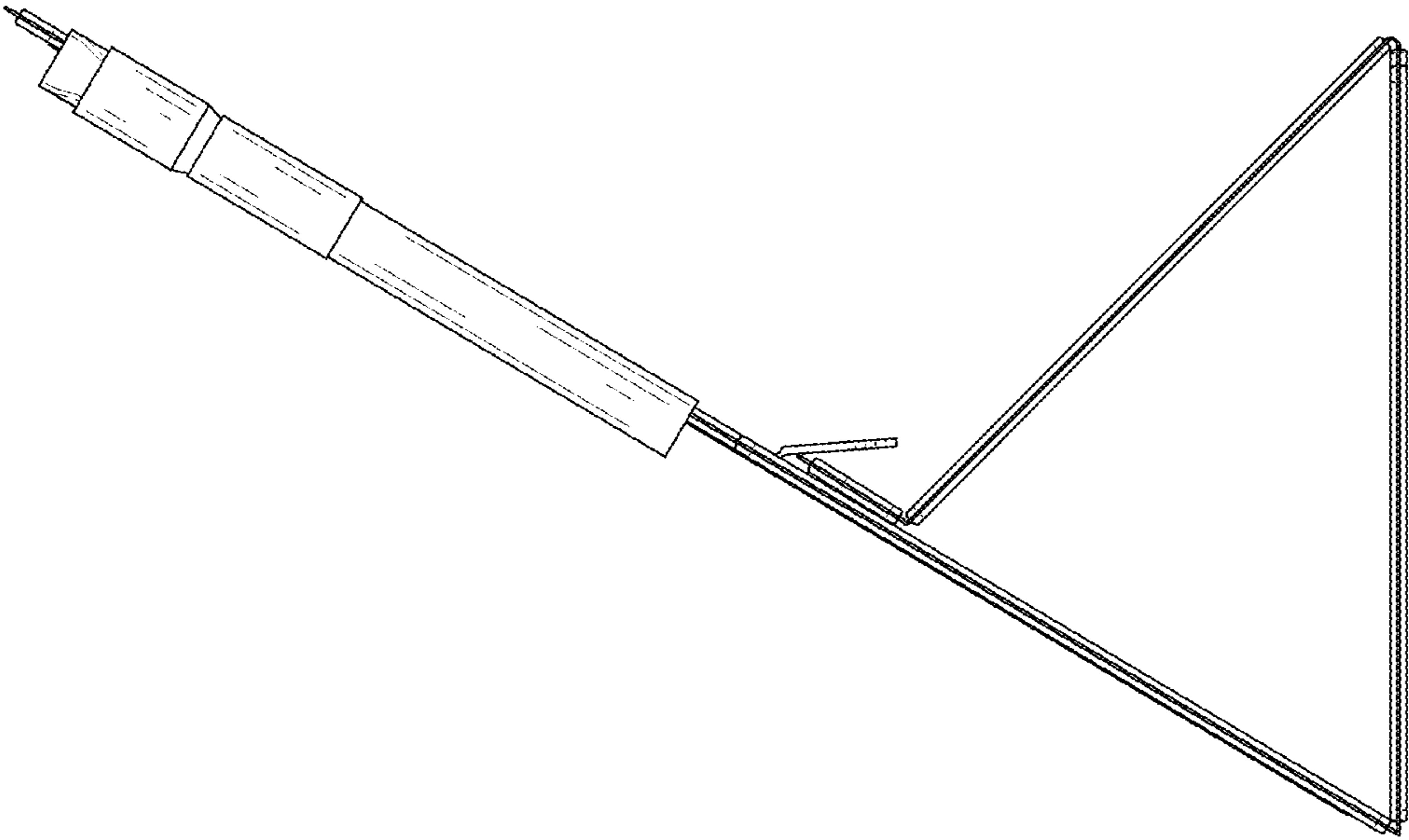


FIG. 6



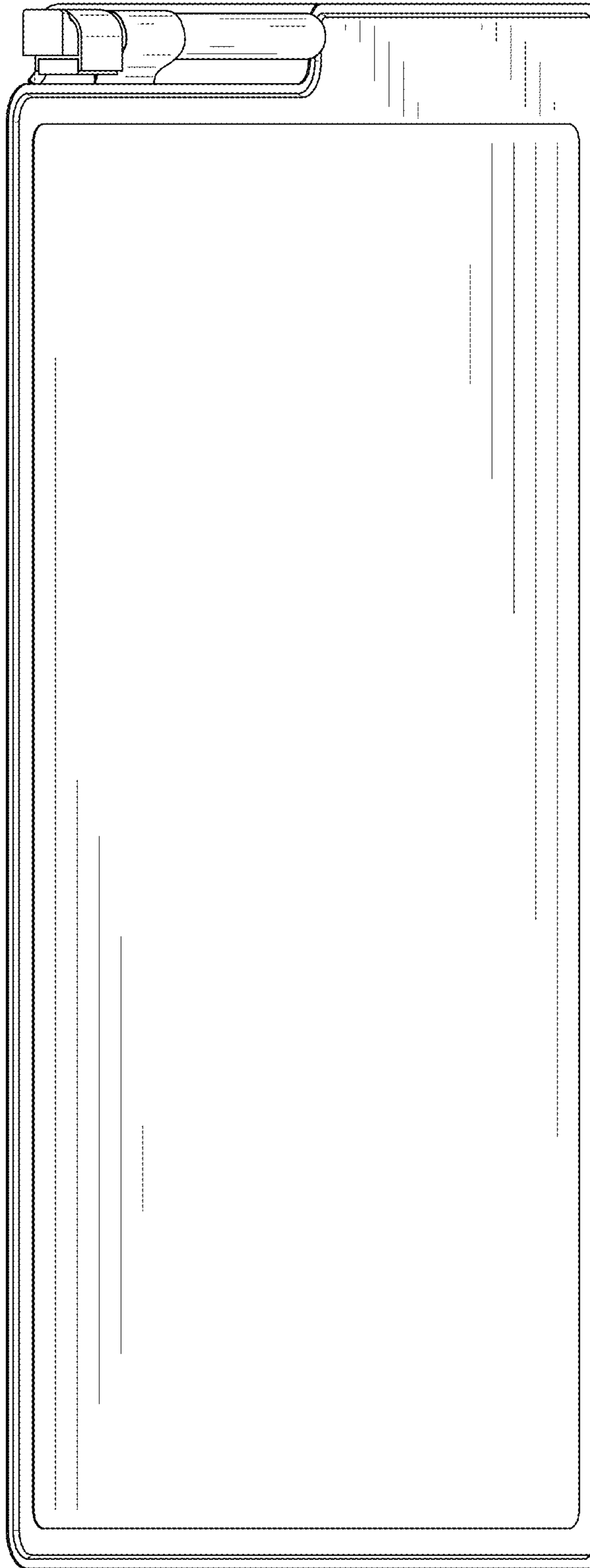


FIG. 7

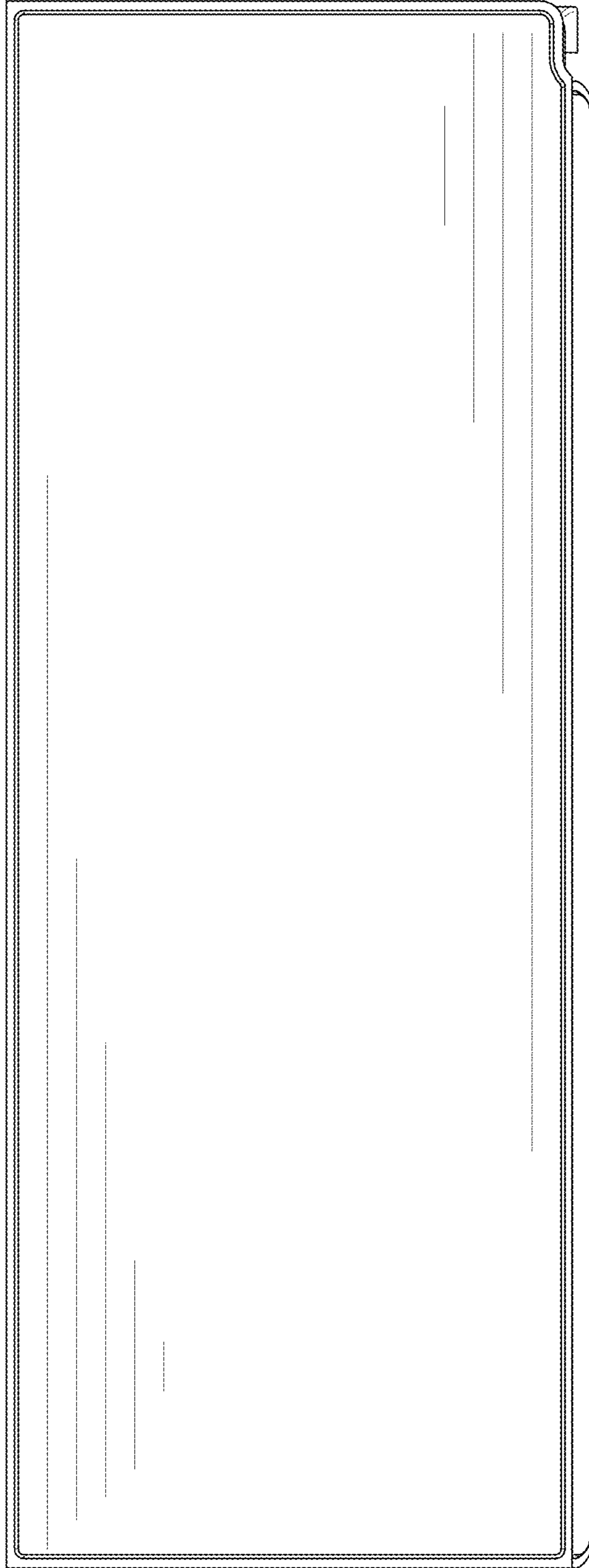


FIG. 8

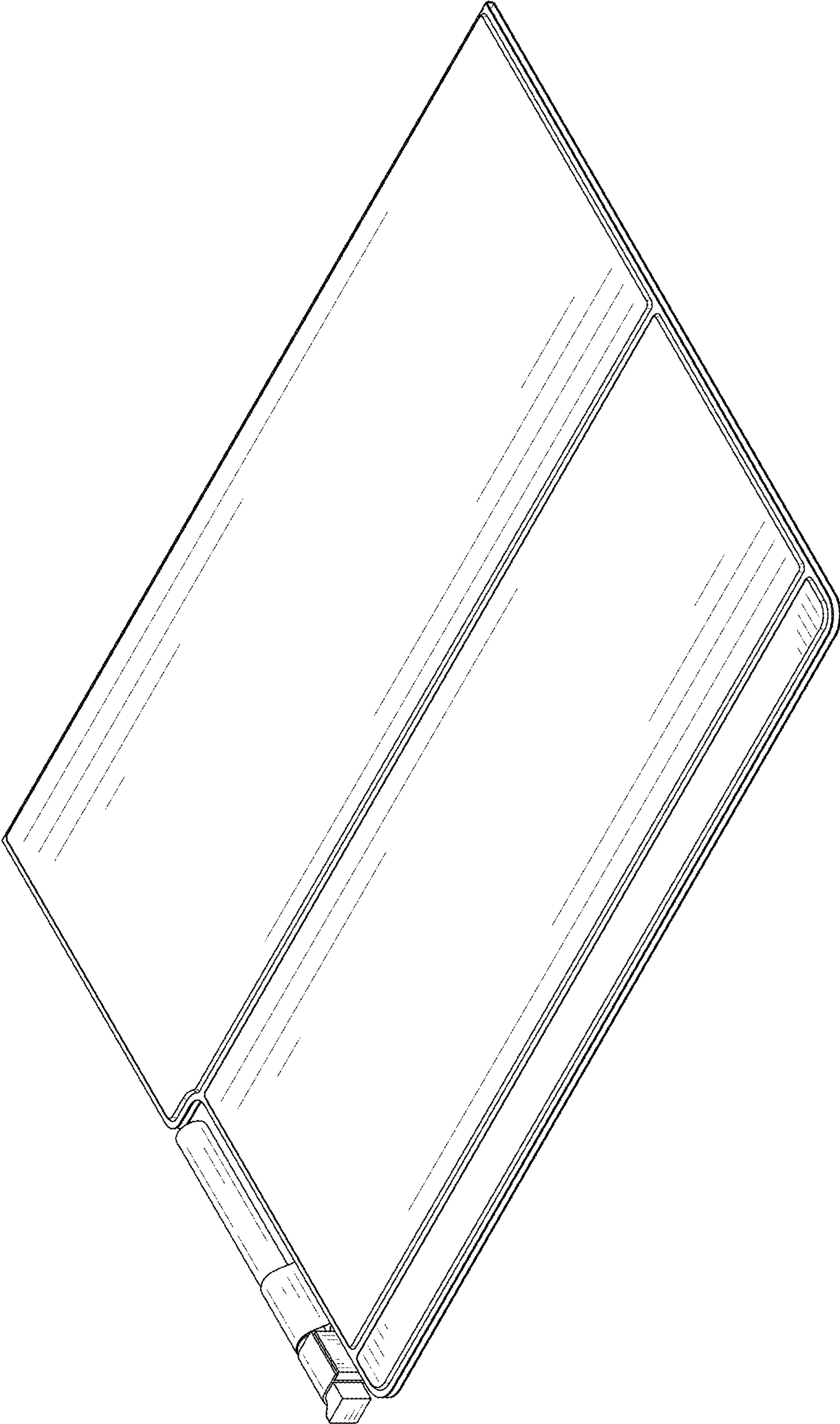


FIG. 9

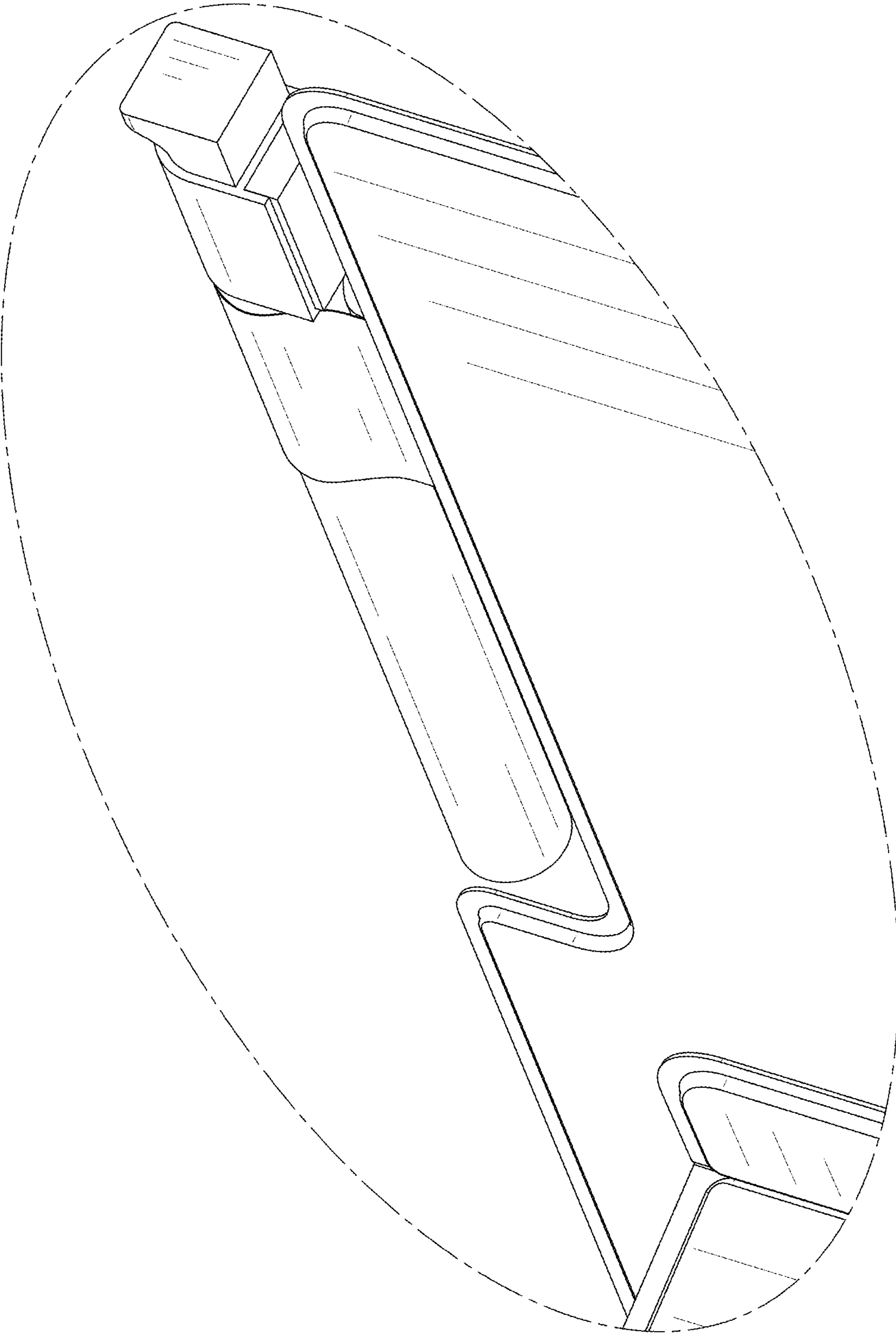


FIG. 10