



US00D932545S

(12) **United States Design Patent**
Han

(10) **Patent No.:** **US D932,545 S**

(45) **Date of Patent:** **** Oct. 5, 2021**

(54) **FOLDABLE PAINT BOX**

B65D 83/0445; B65D 83/0481; B65D 85/00; B65D 85/02; B65D 85/10

(71) Applicant: **JianYue Han**, Ningbo (CN)

See application file for complete search history.

(72) Inventor: **JianYue Han**, Ningbo (CN)

(56) **References Cited**

(**) Term: **15 Years**

U.S. PATENT DOCUMENTS

(21) Appl. No.: **29/735,405**

1,625,754 A * 4/1927 Tobita B65D 1/36
206/561

(22) Filed: **May 20, 2020**

D156,974 S * 1/1950 Knowles D19/106

(51) **LOC (13) Cl.** **19-06**

D263,682 S * 4/1982 Urciuoli D9/425

(52) **U.S. Cl.**

D264,350 S * 5/1982 Jacobsen D19/106

USPC **D19/103**; D3/206

D346,492 S * 5/1994 Cacciatore, Jr. D3/282

D347,654 S * 6/1994 Koves D19/103

(Continued)

(58) **Field of Classification Search**

OTHER PUBLICATIONS

USPC ... D3/203.1–203.8, 205–206, 215, 219, 226,
D3/247, 250–252, 263–266, 273,
D3/293–294, 298–299, 301, 303, 315,
D3/901; D6/515, 517, 534, 536;
D7/600.1, 600.4, 637; D9/734, 759–760;
D19/101–103, 106, 194–195; D27/172,
D27/180, 183, 186, 189–191; D28/73,
D28/76, 85–86, 91

Xileyw Watercolor Paint Set—58 Assorted Colors, first available Jun. 15, 2019, amazon.com [online], [site visited Apr. 22, 2021], Available at internet URL: <https://www.amazon.com/Watercolor-Paint-Set-Assorted-Professional/dp/B07SZNG5PX> (Year: 2019).*

(Continued)

CPC .. A24F 9/16; A24F 13/14; A24F 15/00; A24F 15/12; A24F 15/14; A24F 15/18; A24F 15/20; A24F 23/00; A24F 23/04; A24F 47/002; A24F 47/008; A45C 3/00; A45C 5/00; A45C 5/005; A45C 5/04; A45C 7/00; A45C 9/00; A45C 11/00; A45C 11/008; A45C 11/04; A45C 11/16; A45C 11/24; A45C 11/26; A45C 11/34; A45C 11/36; A45C 13/002; A45C 2011/007; A45D 33/12; A45D 33/14; A45D 33/22; A45D 33/24; A45D 33/26; A45D 33/28; A45D 34/00; A45D 34/04; A45D 34/041; A45D 34/06; A45D 40/00; A45D 40/18; A45D 40/26; A45D 40/261; A45D 40/262; A45D 44/11; A45D 44/18; A47F 7/02; A47F 7/021; A61J 1/00; A61J 1/03; A61J 7/04; A61J 7/0084; B65D 1/36; B65D 43/16; B65D 50/04; B65D 83/04;

Primary Examiner — Jeffrey D Asch

Assistant Examiner — Caitlin Ann Laverty

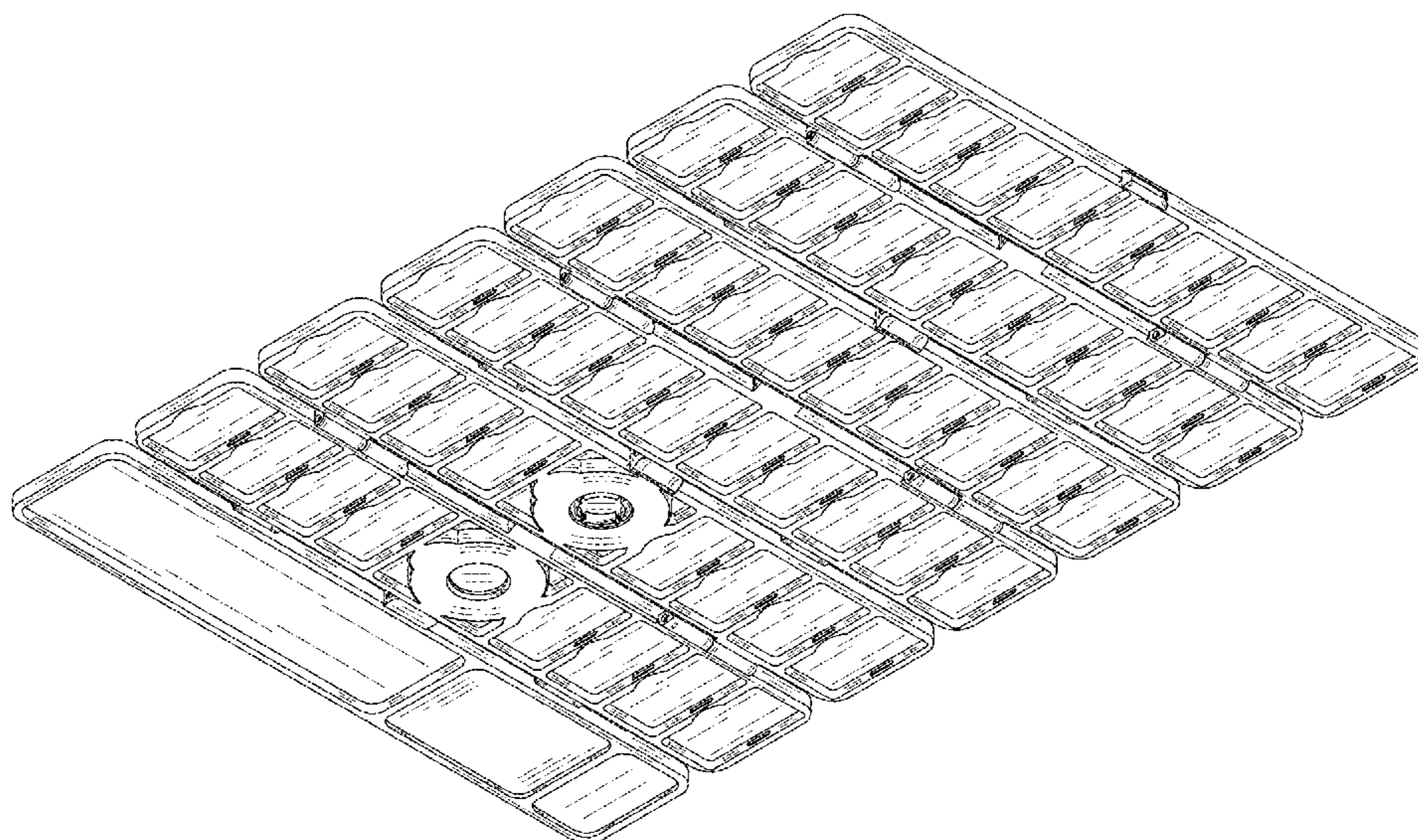
(57) **CLAIM**

The ornamental design for a foldable paint box, as shown and described.

DESCRIPTION

FIG. 1 is a front view of the foldable paint box showing my new design;
FIG. 2 is a back view thereof;
FIG. 3 is a left side view thereof;
FIG. 4 is a right side view thereof;
FIG. 5 is a top view thereof;
FIG. 6 is a bottom view thereof;
FIG. 7 is a perspective view thereof; and,
FIG. 8 is another perspective view thereof.

1 Claim, 8 Drawing Sheets



(56)

References Cited

U.S. PATENT DOCUMENTS

D358,546 S * 5/1995 Walchek, Jr. D3/203.3
D365,892 S * 1/1996 Markham D28/83
D617,387 S * 6/2010 Muniz D20/42
D637,391 S * 5/2011 Stevens D3/203.3
D777,419 S * 1/2017 Noble D3/203.3
D882,243 S * 4/2020 Marshall D3/203.1
D899,763 S * 10/2020 McNeil D3/203.3
D927,062 S * 8/2021 Partouche A24F 1/30
D27/186
2009/0108016 A1* 4/2009 Brown G16H 20/13
221/28
2019/0299085 A1* 10/2019 Blue A63F 3/02
2020/0095038 A1* 3/2020 Cheng A45D 33/00

OTHER PUBLICATIONS

Artsy Watercolor Paint Set—38 Assorted Colors, first available Jul. 31, 2019, amazon.com [online], [site visited Apr. 22, 2021], Available at internet URL: <https://www.amazon.com/Artsy-Watercolor-Paint-Set-Professional/dp/B07VZN6KLW> (Year: 2019).*

* cited by examiner

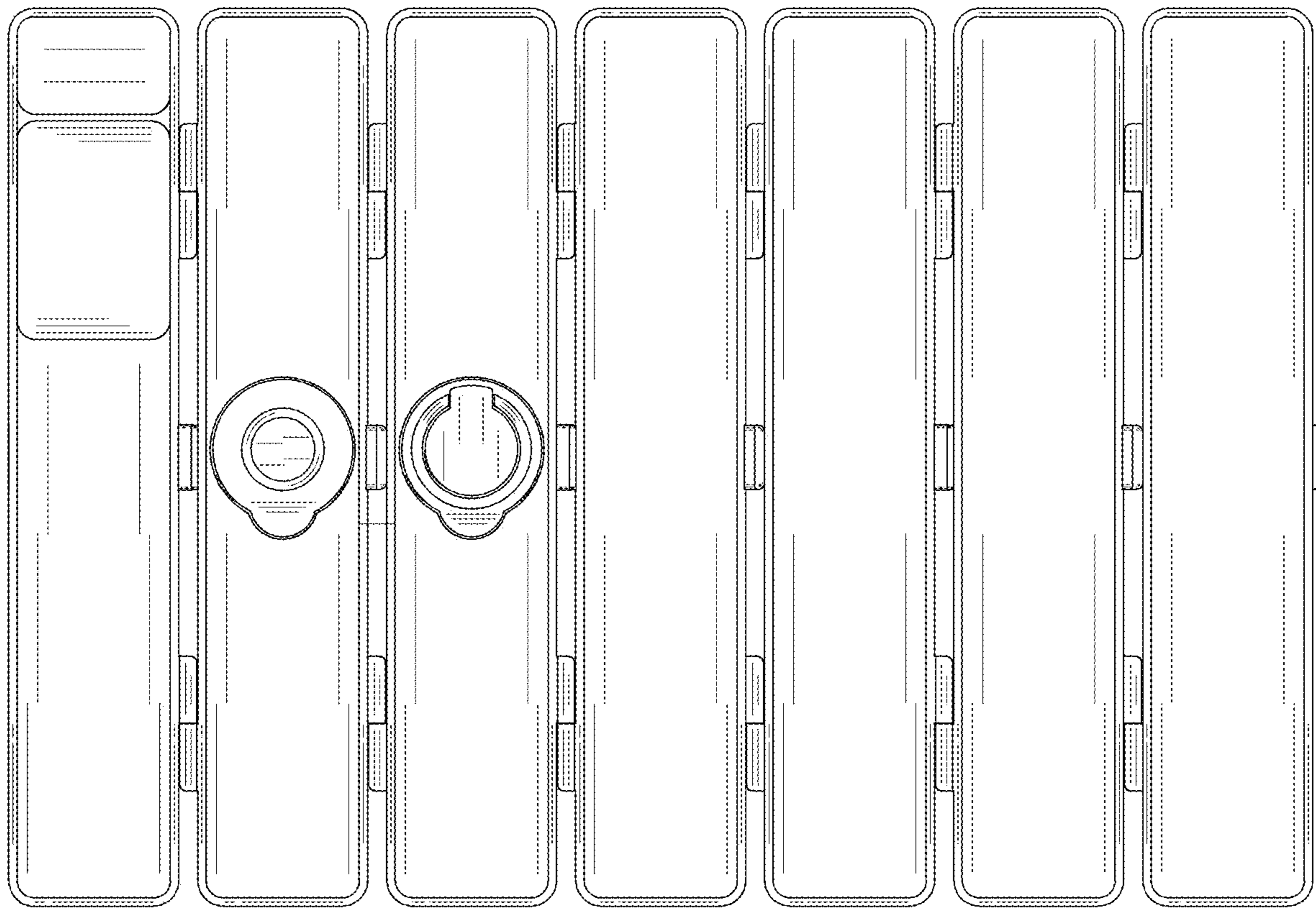


FIG. 1

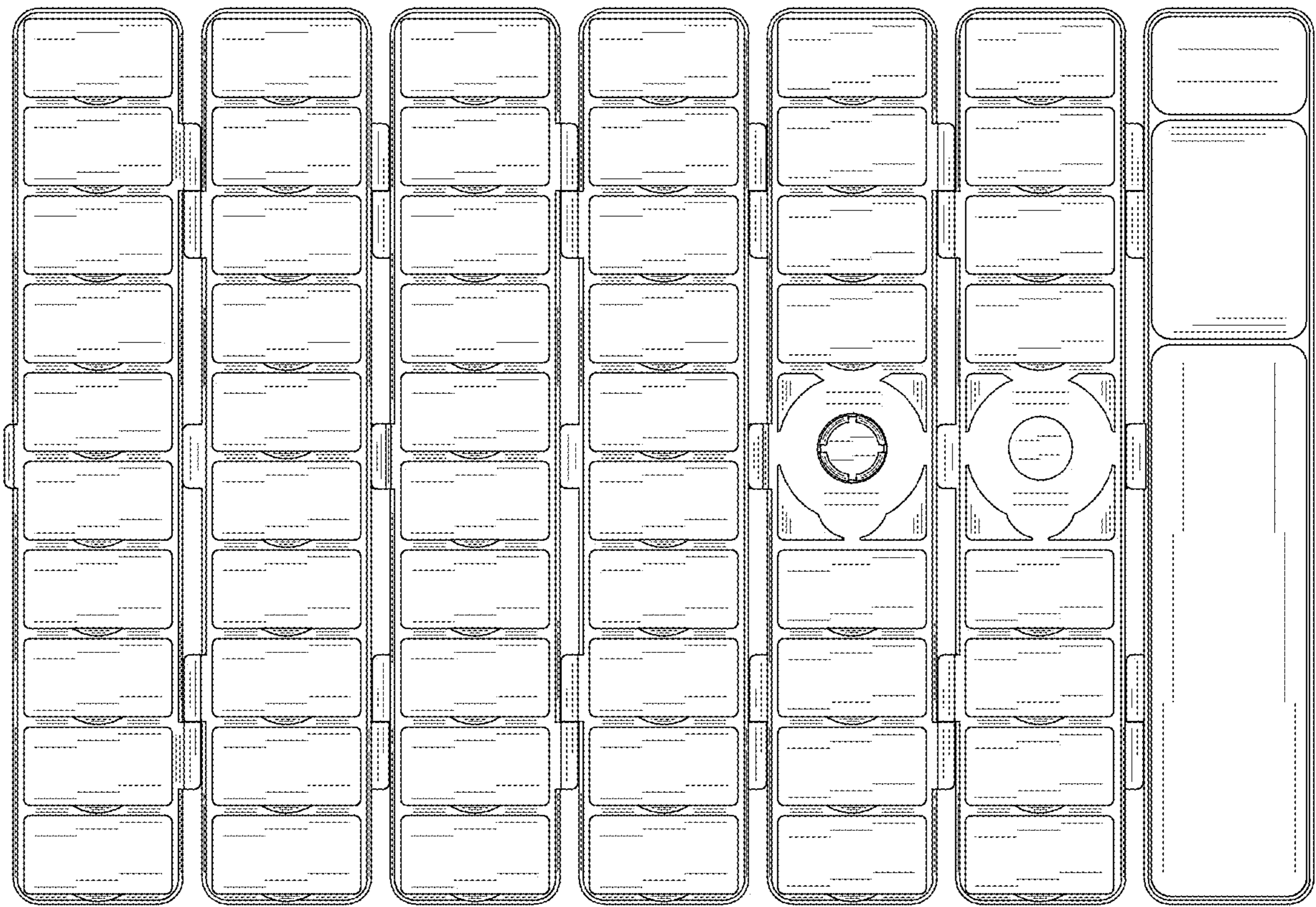


FIG. 2



FIG. 3

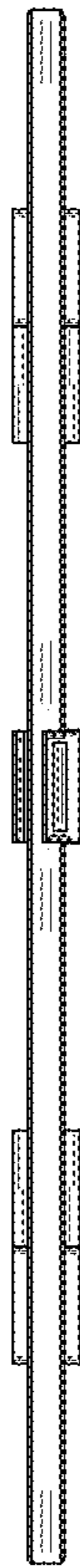


FIG. 4

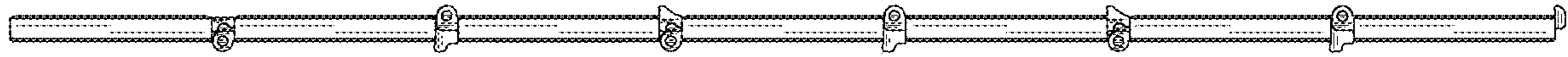


FIG. 5

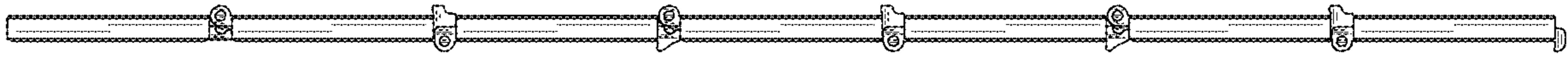


FIG. 6

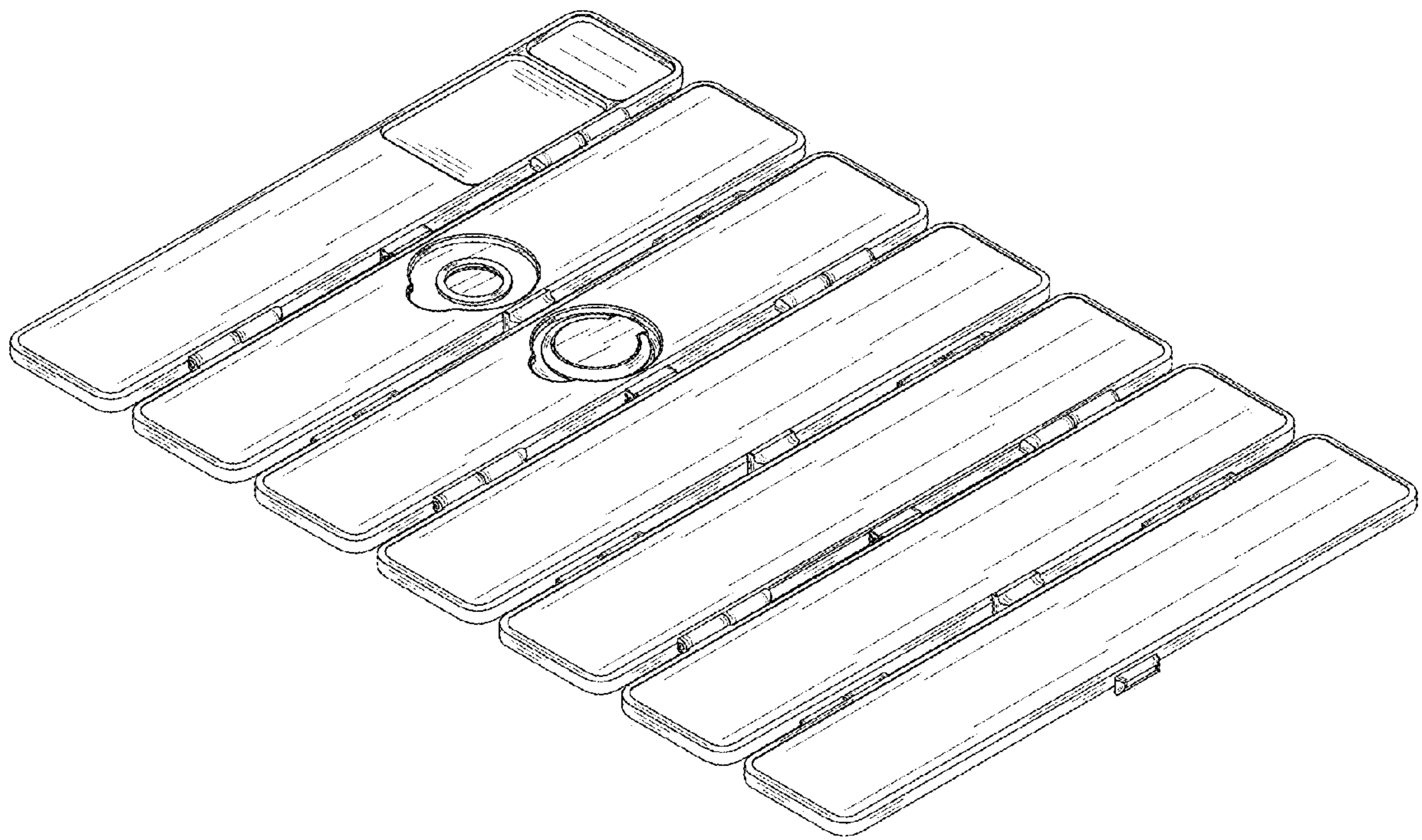


FIG. 7

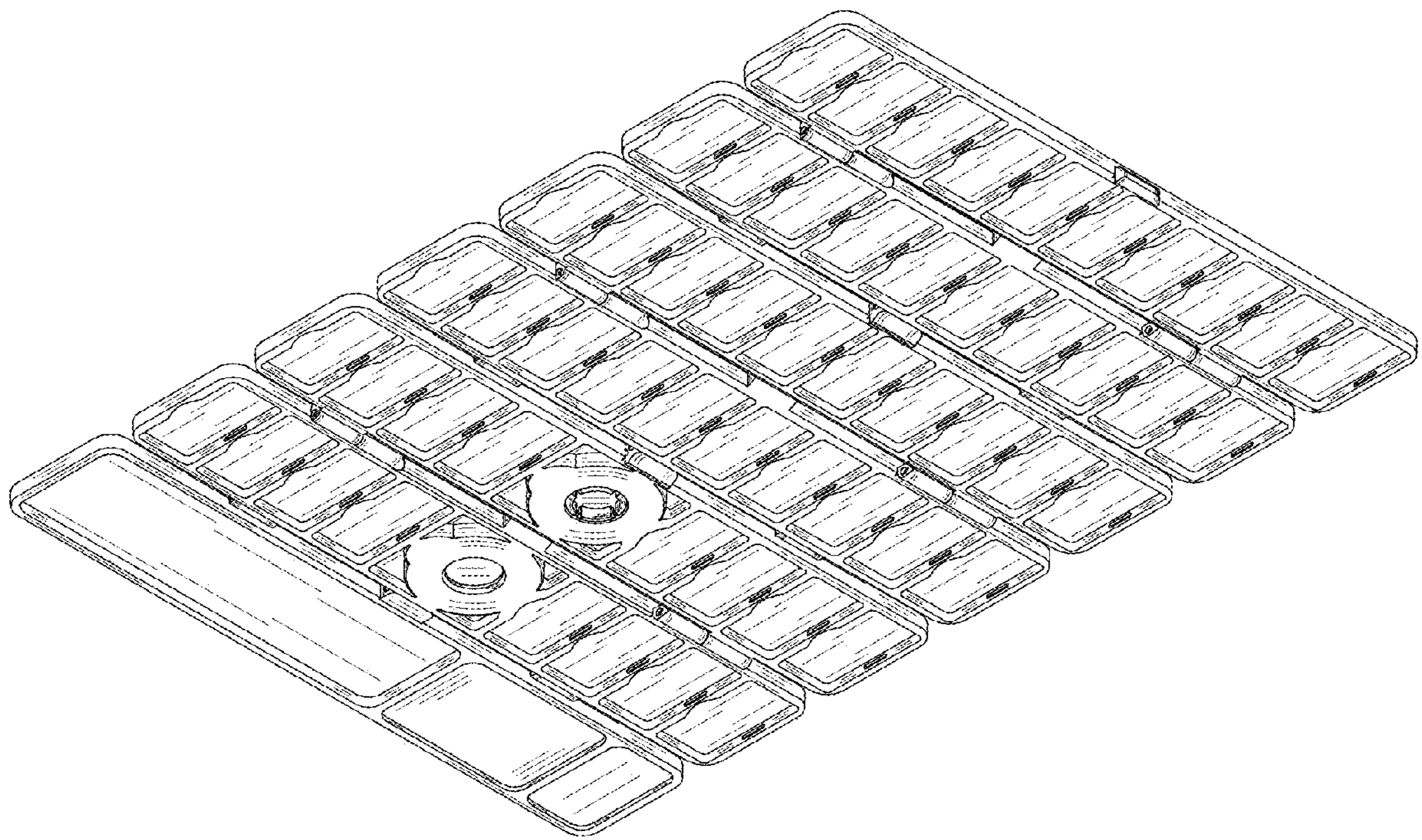


FIG. 8