



US00D932539S

(12) **United States Design Patent** (10) **Patent No.:** **US D932,539 S**  
**Hong** (45) **Date of Patent:** **\*\* Oct. 5, 2021**

(54) **CAMERA FIXING SUPPORT**

(71) Applicant: **Shenzhen Prime Technology Co., Ltd**,  
Shenzhen (CN)

(72) Inventor: **Zhengcai Hong**, Shenzhen (CN)

(73) Assignee: **SHENZHEN PRIME TECHNOLOGY CO., LTD**, Shenzhen  
Guangdong (CN)

(\*\*) Term: **15 Years**

(21) Appl. No.: **29/753,298**

(22) Filed: **Sep. 30, 2020**

(51) **LOC (13) Cl.** ..... **16-05**

(52) **U.S. Cl.**  
USPC ..... **D16/242; D16/237**

(58) **Field of Classification Search**  
USPC ..... D16/208–209, 237, 242–245; D14/447,  
D14/451; D8/71–72  
CPC ..... G02B 7/00–002; F16M 11/06–10  
See application file for complete search history.

(56) **References Cited**

**U.S. PATENT DOCUMENTS**

D327,211 S *	6/1992	Tarshis	.....	D14/229
D328,088 S *	7/1992	Horino	.....	D16/239
D498,251 S *	11/2004	Invencio	.....	D16/242
D515,613 S *	2/2006	Holmes	.....	396/428
D670,284 S *	11/2012	Choi	.....	D14/253
D748,182 S *	1/2016	Polito	.....	D16/242
D750,611 S *	3/2016	Manibog	.....	D14/252
D758,474 S *	6/2016	Harrison	.....	D16/242
D766,075 S *	9/2016	Milbank	.....	D8/394
D766,229 S *	9/2016	Manibog	.....	D14/252
D872,067 S *	1/2020	Knapp	.....	D14/239
D903,457 S *	12/2020	Meyitang	.....	D8/72
D908,164 S *	1/2021	Zhang	.....	D16/242

**OTHER PUBLICATIONS**

Neewer Tabletop Light Stand Clip Stand with 1\_4inch Screw.  
[online] Published on Aug. 25, 2020. Retrieved May 7, 2021 from

URL: <https://www.amazon.com/Neewer-Tabletop-Adjustable-21-6-47-2inches-Streaming/dp/B08GLYRDN3>.\*

Dazzne Desk Mount Stand, 12.9-22inch Tabletop C Clamp Mount Stand. [online] Published on Oct. 7, 2020. Retrieved May 7, 2021 from URL: [https://www.amazon.com/Dazzne-12-9-22inch-Tabletop-Adjustable-Aluminum/dp/B08KSTH7WN/ref=psdc\\_3348051\\_t2\\_B08NSS6GJ2](https://www.amazon.com/Dazzne-12-9-22inch-Tabletop-Adjustable-Aluminum/dp/B08KSTH7WN/ref=psdc_3348051_t2_B08NSS6GJ2).\*

\* cited by examiner

*Primary Examiner* — Vy N Koenig

(74) *Attorney, Agent, or Firm* — Cantor Colburn LLP

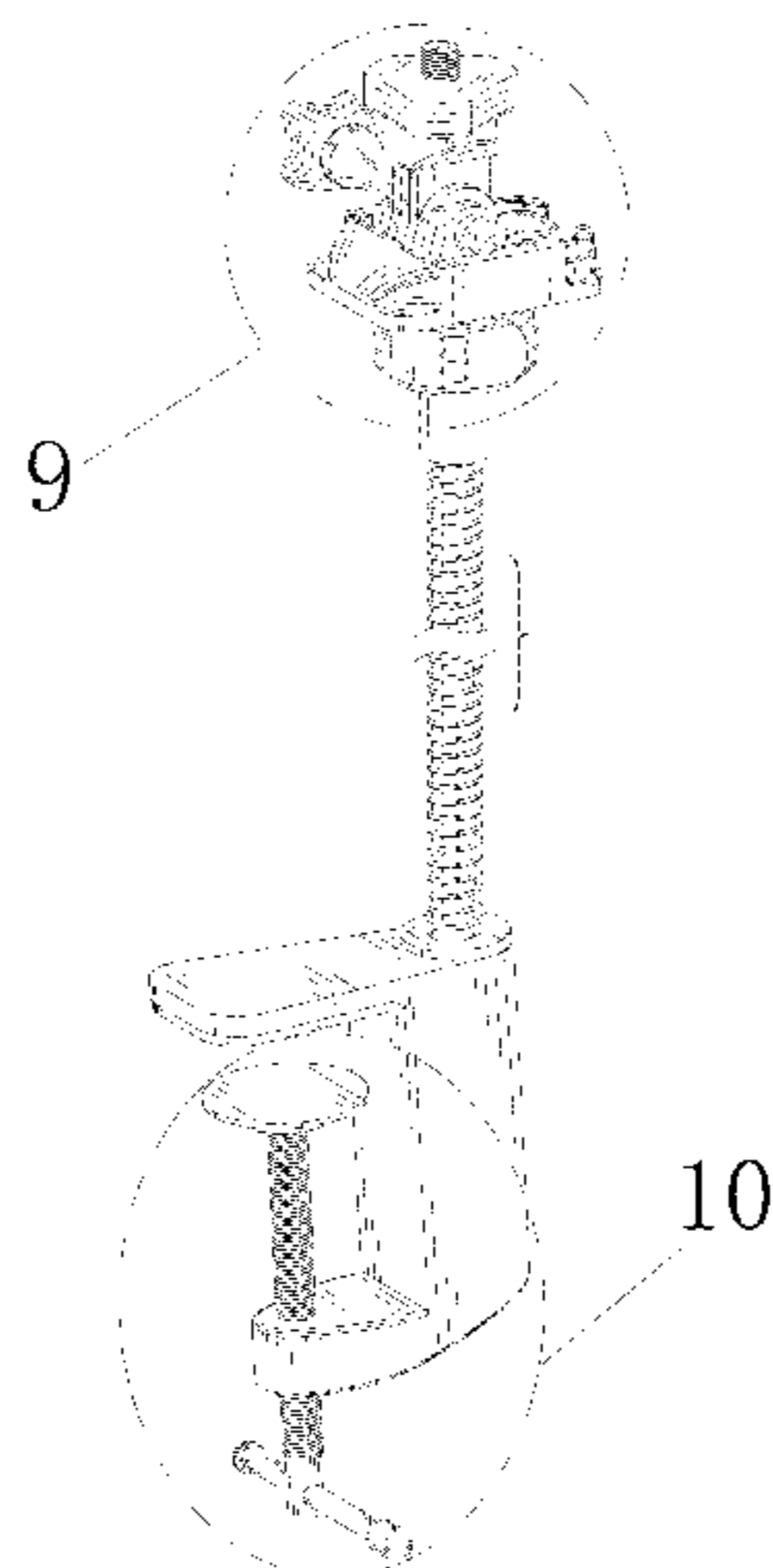
(57) **CLAIM**

The ornamental design for a camera fixing support, as shown and described.

**DESCRIPTION**

FIG. 1 is a first perspective view of a camera fixing support; FIG. 2 is a second perspective view thereof; FIG. 3 is a front view thereof; FIG. 4 is a rear view thereof; FIG. 5 is a left side view thereof; FIG. 6 is a right side view thereof; FIG. 7 is a top view thereof; FIG. 8 is a bottom view thereof; FIG. 9 is an enlarged view of portion 9 in FIG. 1; FIG. 10 is an enlarged view of portion 10 in FIG. 1; and, FIG. 11 is an enlarged view of portion 11 in FIG. 2. The broken lines in the figures depict portions of the camera fixing support that form no part of the claimed design. The reference numerals 9, 10 and 11 and its associated leader line and enclosure in FIGS. 1, 2, 9, 10 and 11 form no part of the claimed design. The appearance of any portion of the camera fixing support between the symbolic break lines forms no part of the claimed design.

**1 Claim, 11 Drawing Sheets**



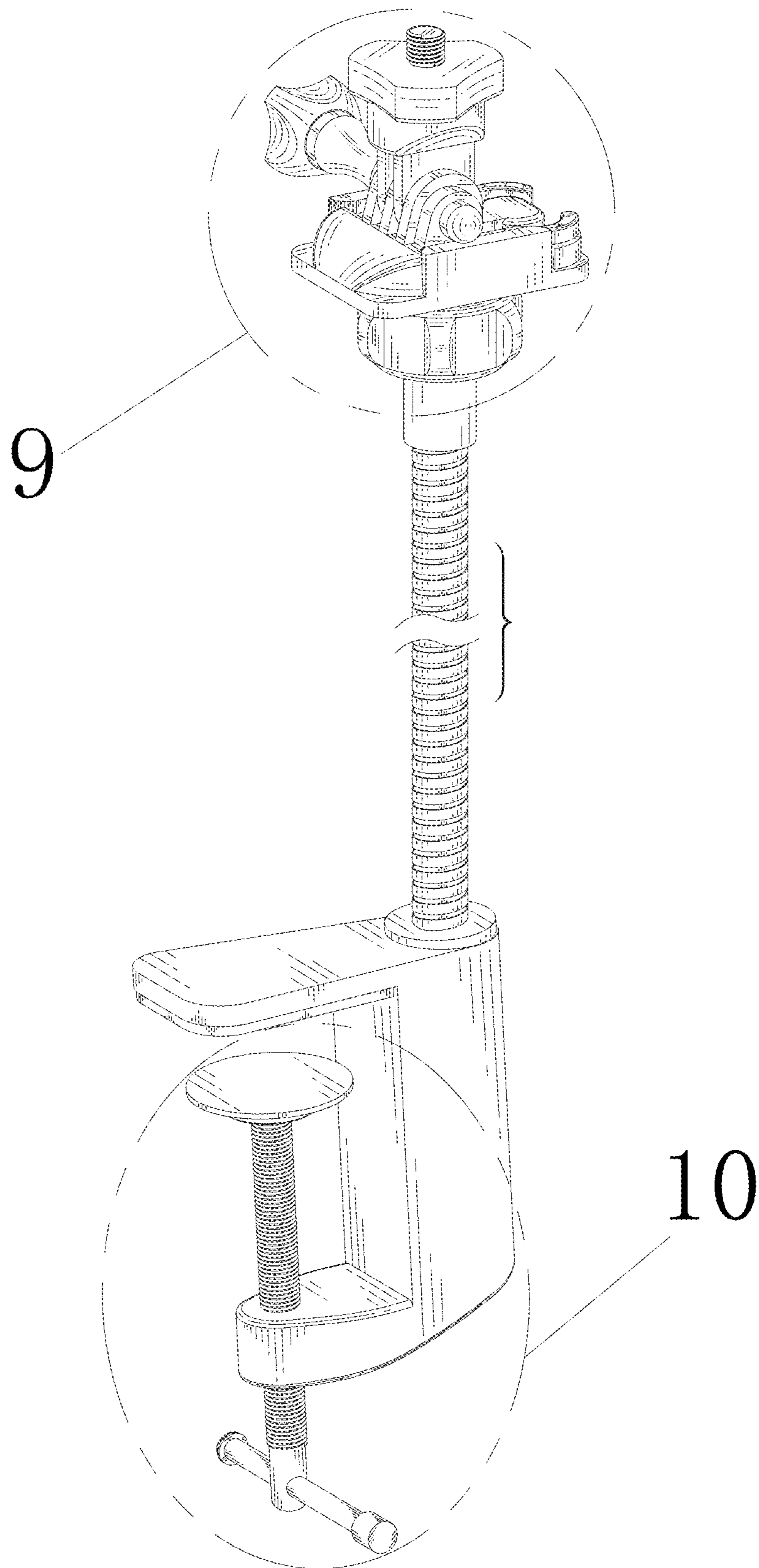


FIG. 1

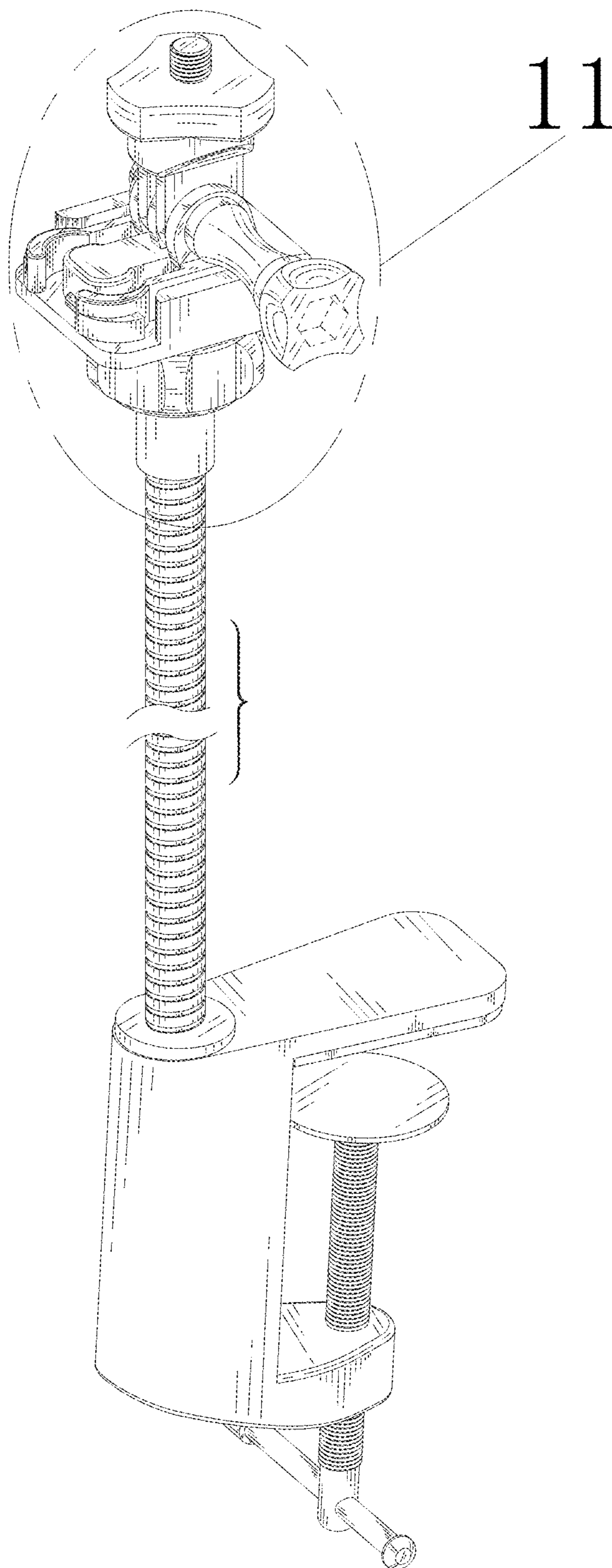


FIG. 2

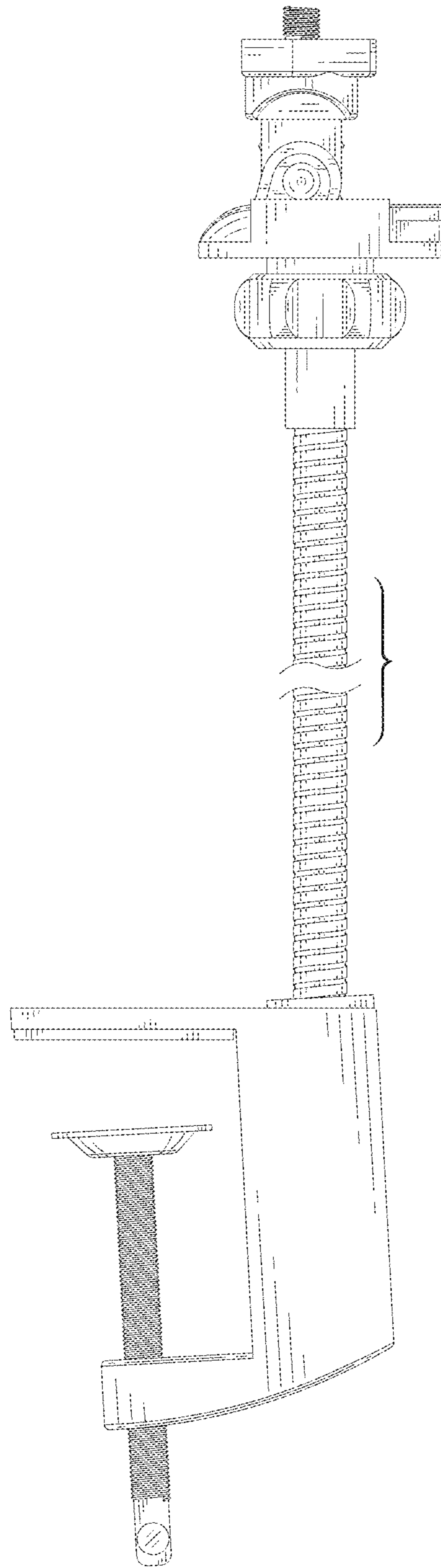


FIG. 3

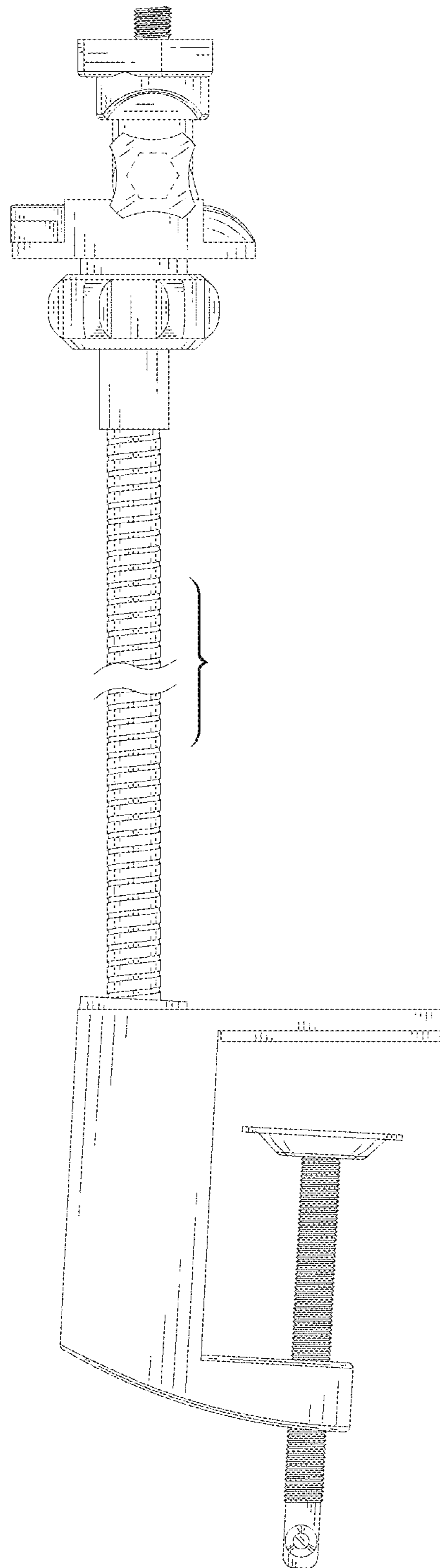


FIG. 4

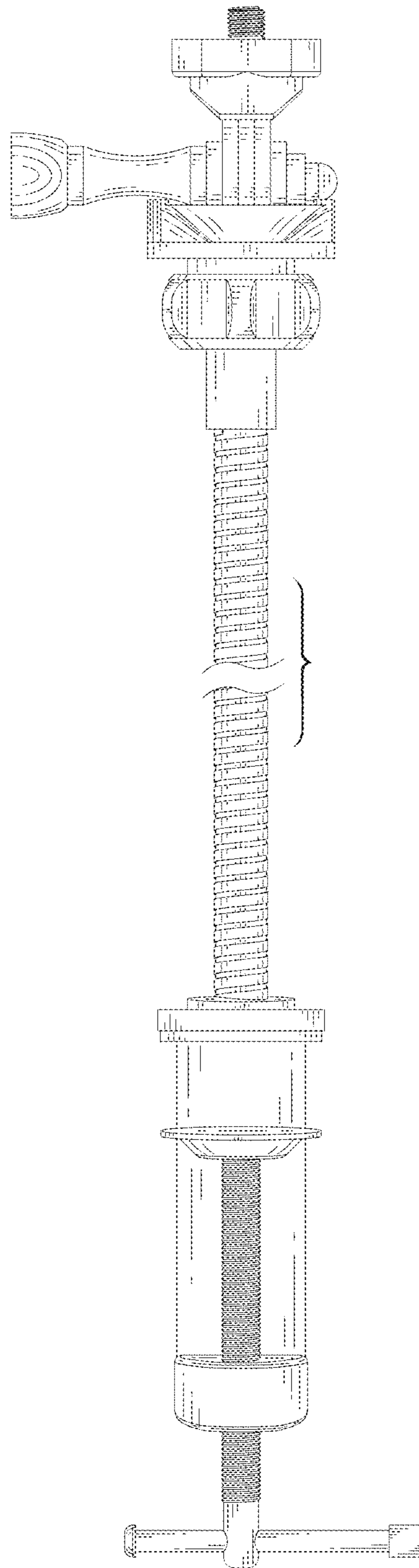


FIG. 5

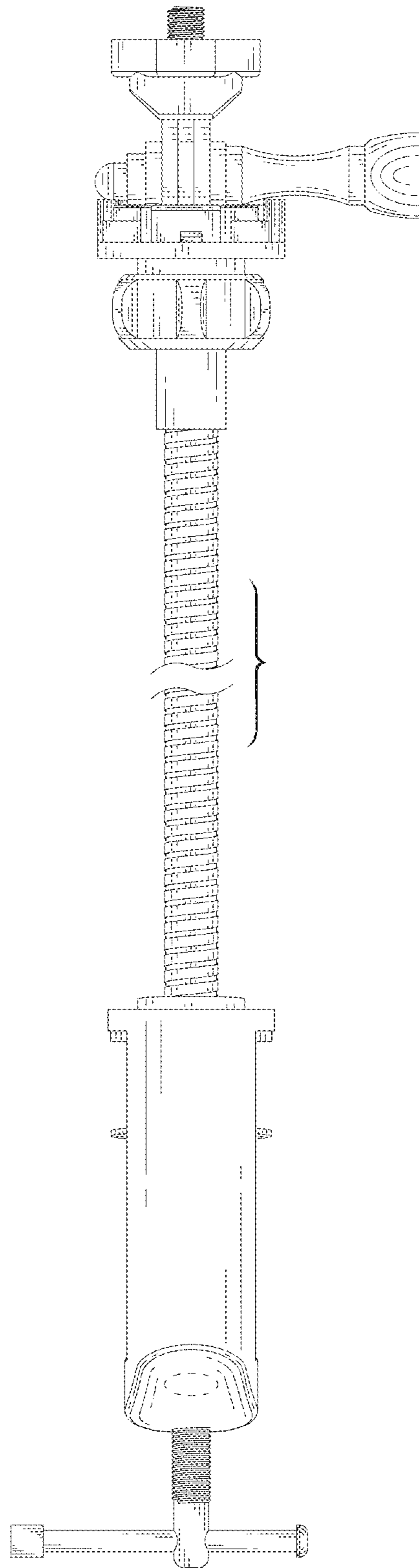


FIG. 6

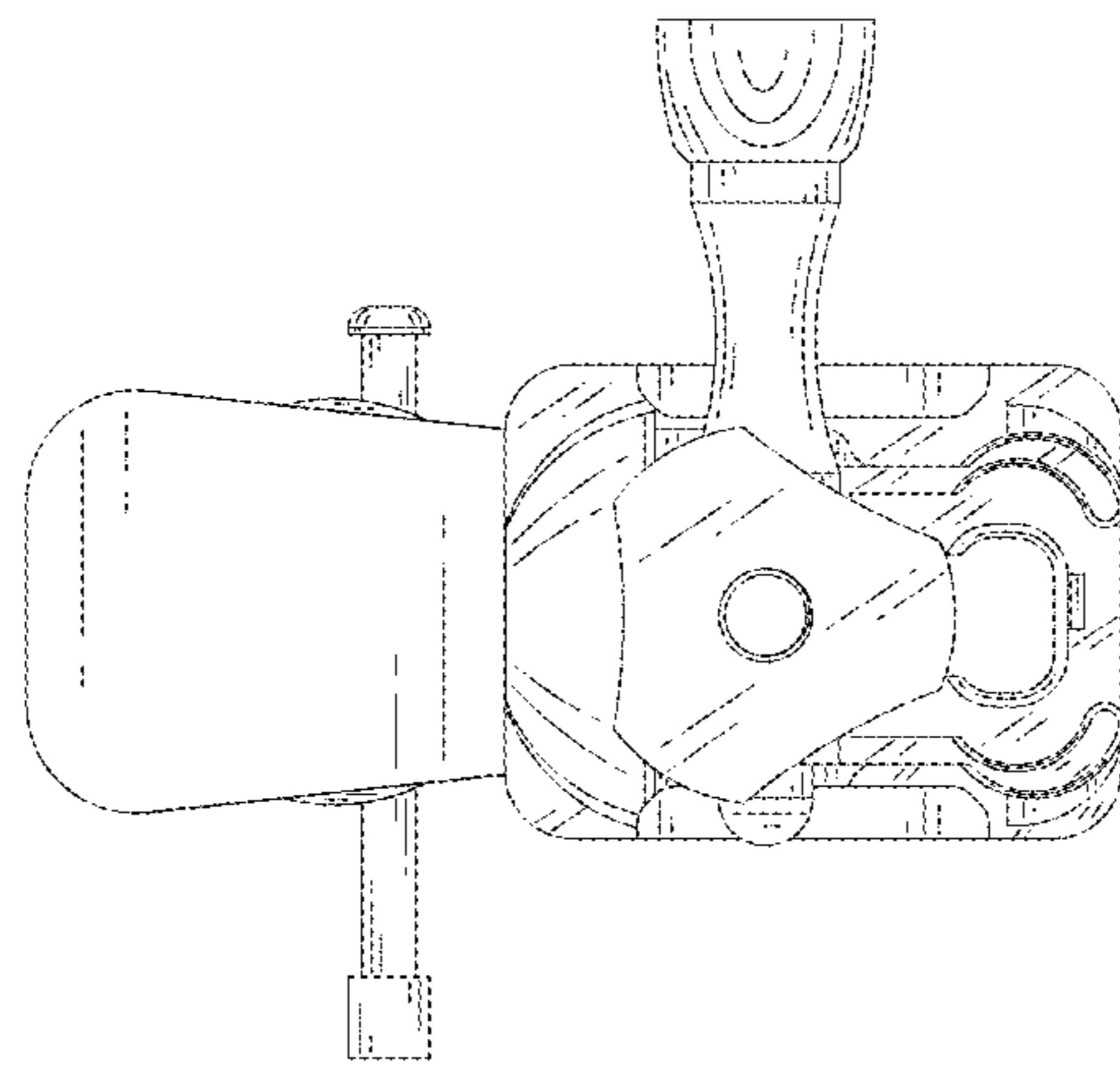


FIG. 7



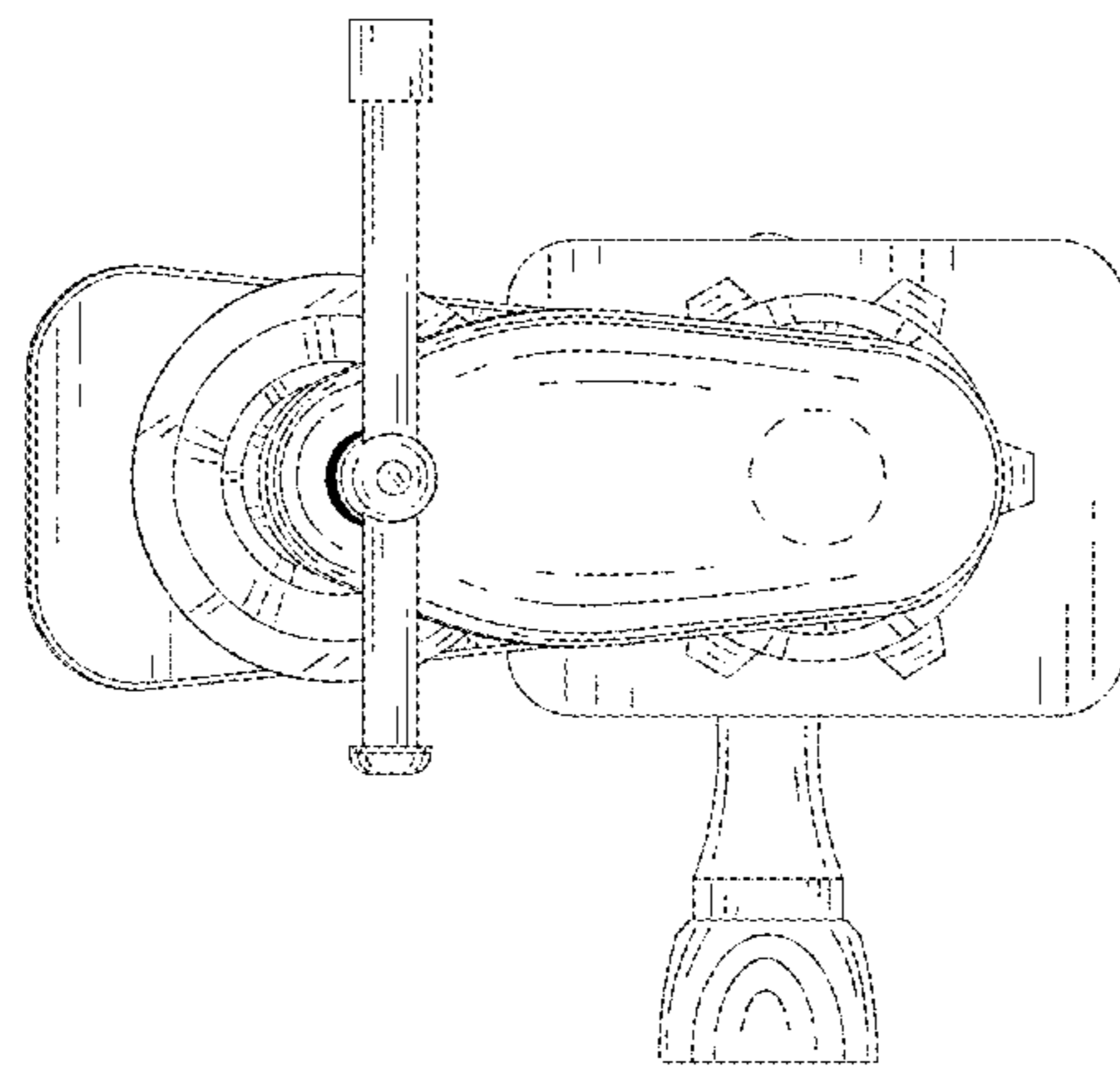


FIG. 8

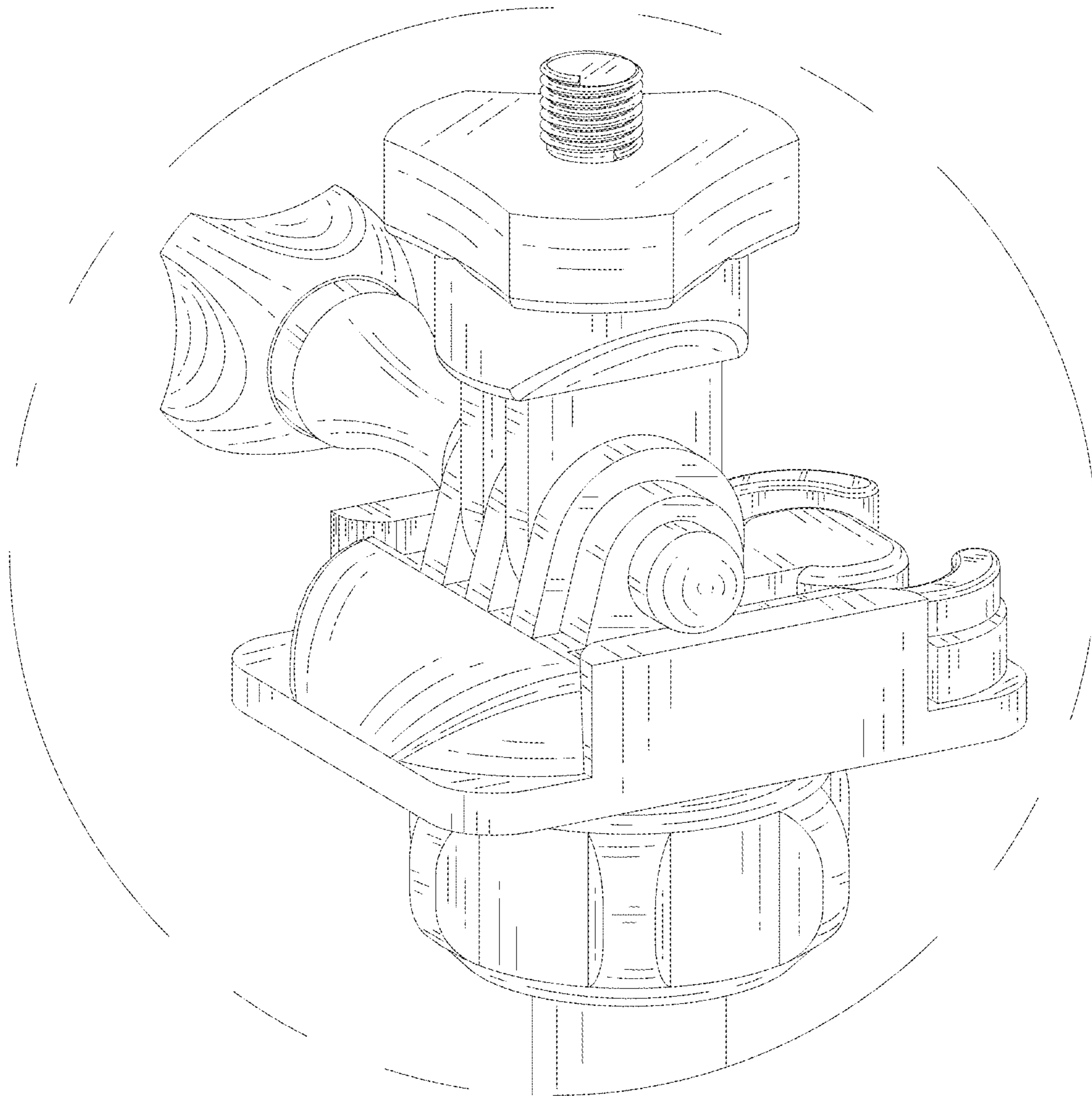


FIG. 9

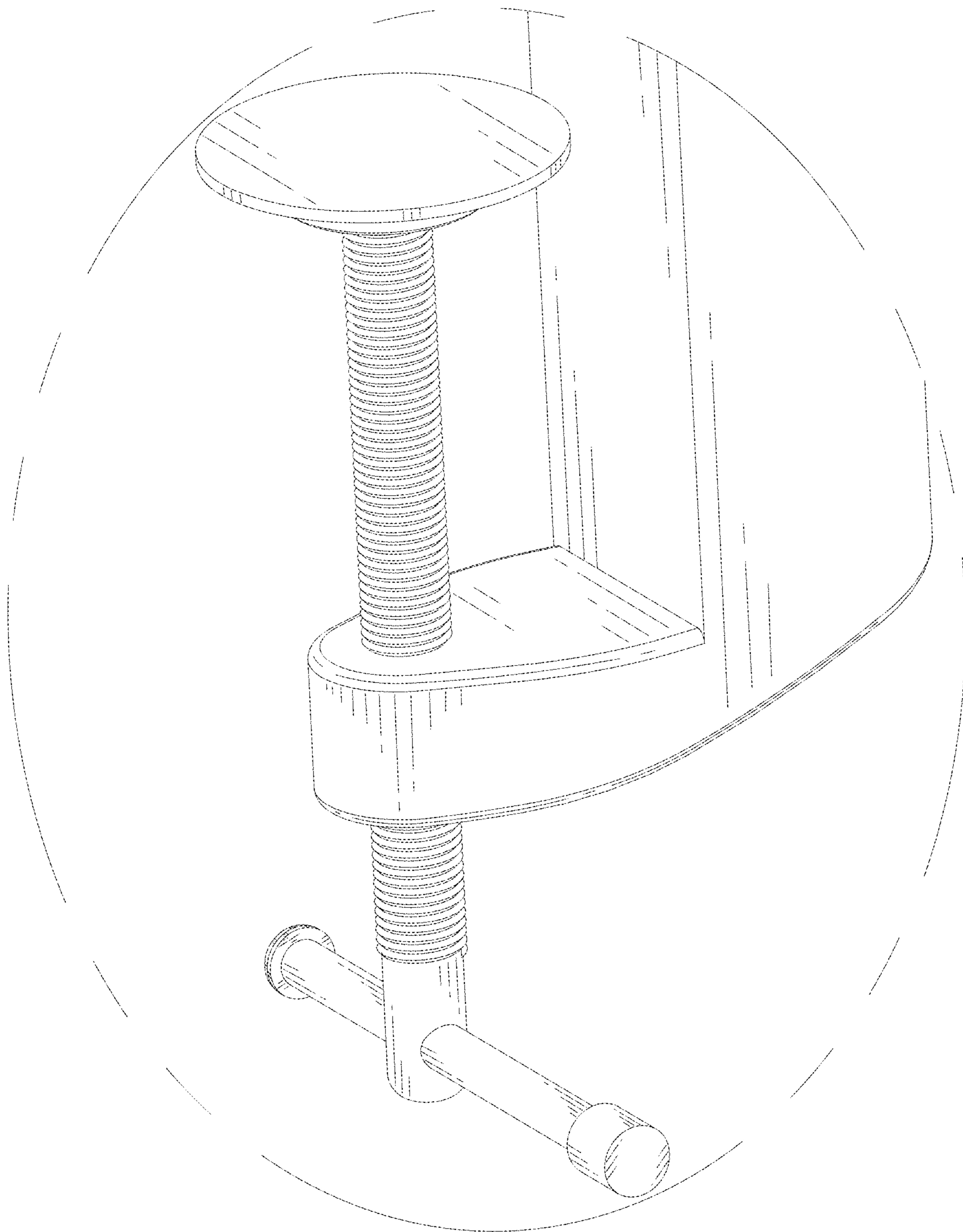


FIG. 10

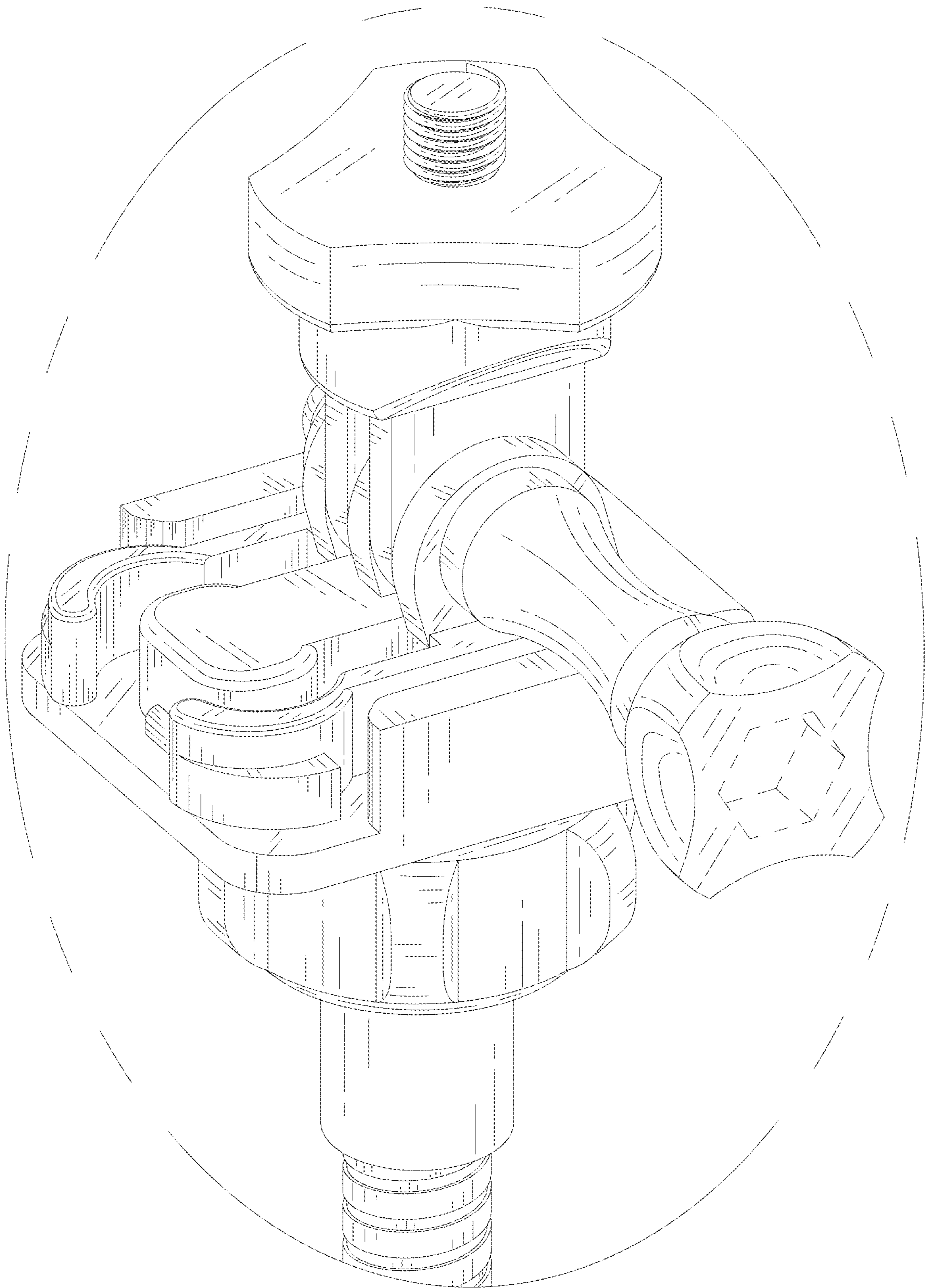


FIG. 11