



US00D932538S

(12) **United States Design Patent**
Zeng

(10) **Patent No.:** **US D932,538 S**

(45) **Date of Patent:** **** Oct. 5, 2021**

(54) **PHOTOGRAPHIC TYPE PORTABLE FLASH**

(74) *Attorney, Agent, or Firm* — Rosenberg, Klein & Lee

(71) Applicant: **GODOX PHOTO EQUIPMENT CO., LTD.**, Shenzhen (CN)

(57) **CLAIM**

The ornamental design for a photographic type portable flash, as shown and described.

(72) Inventor: **Weijun Zeng**, Shenzhen (CN)

(73) Assignee: **Godox Photo Equipment Co., Ltd.**, Shenzhen (CN)

DESCRIPTION

(**) Term: **15 Years**

FIG. 1 and FIG. 2 are perspective views of the photographic type portable flash of the new design, consisting of a body and a flash head.

(21) Appl. No.: **29/703,388**

FIG. 3 is a front view of the flash head of the photographic type portable flash of the new design, shown separately to reveal aspects of the design that may not be apparent in the other views;

(22) Filed: **Aug. 27, 2019**

FIG. 4 is a rear view of the flash head of the photographic type portable flash of the new design;

(30) **Foreign Application Priority Data**

Feb. 27, 2019 (CN) 201930078327.4

FIG. 5 is a left view of the flash head of the photographic type portable flash of the new design;

(51) **LOC (13) Cl.** **16-05**

FIG. 6 is a right view of the flash head of the photographic type portable flash of the new design;

(52) **U.S. Cl.**

USPC **D16/239**; D16/237

FIG. 7 is a top view of the flash head of the photographic type portable flash of the new design;

(58) **Field of Classification Search**

USPC D16/219, 237–241, 242–245; D14/218, D14/224, 229, 238, 251, 253, 447, 451, D14/457, 388, 396, 412–415; D26/46, 60

FIG. 8 is a bottom view of the flash head of the photographic type portable flash of the new design;

(Continued)

FIG. 9 and FIG. 10 are perspective views of the flash head of the photographic type portable flash.

(56) **References Cited**

FIG. 11 is a front view of the body of the photographic type portable flash of the new design, shown separately to reveal aspects of the design that may not be apparent in the other views;

U.S. PATENT DOCUMENTS

D339,598 S * 9/1993 Shimizu D16/202

D525,276 S * 7/2006 de Leon D16/239

(Continued)

FIG. 12 is a rear view of the body of the photographic type portable flash of the new design;

OTHER PUBLICATIONS

Godox AD200 and AD200Pro Outdoor Portable Flash Strobe Unboxing & Review. [online] Published Sep. 30, 2019. Retrieved from URL: <https://www.hypop.com.au/blogs/blogs/godox-ad200pro-and-ad200-comparison>.*

FIG. 13 is a left view of the body of the photographic type portable flash of the new design;

FIG. 14 is a right view of the body of the photographic type portable flash of the new design;

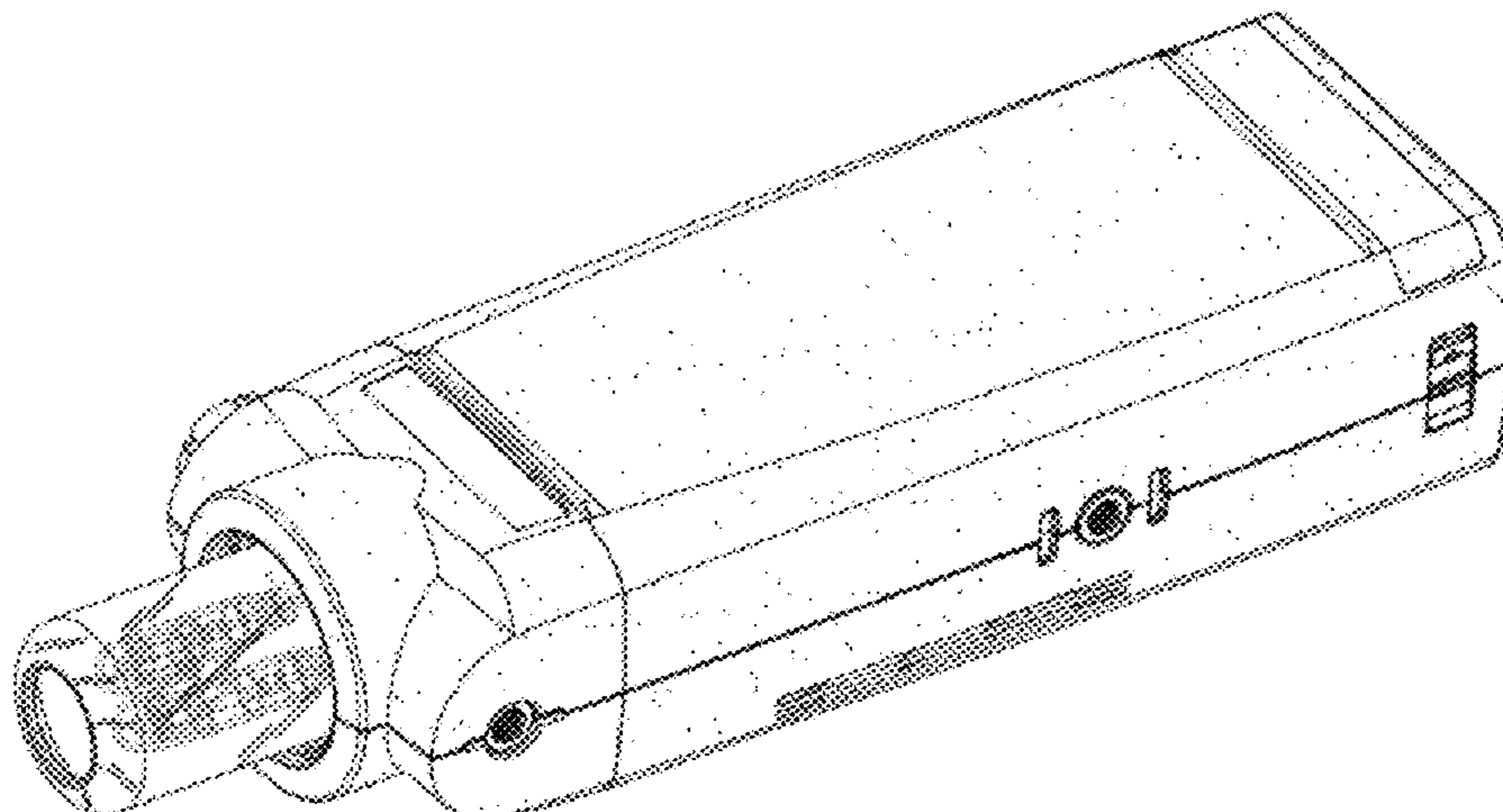
FIG. 15 is a top view of the body of the photographic type portable flash of the new design;

FIG. 16 is a bottom view of the body of the photographic type portable flash of the new design; and,

FIG. 17 and FIG. 18 are perspective views of the body of the photographic type portable flash.

(Continued)

Primary Examiner — Vy N Koenig



The broken lines shown in the drawings depict portions of the photographic type portable flash that form no part of the claimed design.

1 Claim, 14 Drawing Sheets

(58) **Field of Classification Search**

CPC A45F 2200/0508-0533; A45F 5/00; A45F 5/10; F16M 11/06-10; F16M 11/14; G02B 7/00-002; G03B 17/56; G03B 17/561-566; H04N 5/2253-2254

See application file for complete search history.

(56) **References Cited**

U.S. PATENT DOCUMENTS

D540,360	S	*	4/2007	Yamakawa	D16/203
D540,361	S	*	4/2007	Yamakawa	D16/203
D606,572	S	*	12/2009	Samson	D16/203
D612,967	S	*	3/2010	Gan	D26/46
D642,210	S	*	7/2011	Deurwaarder	D16/203
D694,797	S	*	12/2013	Parker	D16/203
D699,779	S	*	2/2014	Zhan	D16/239
D741,531	S	*	10/2015	Vivenzio	D26/46
D742,570	S	*	11/2015	Brown	D26/46
D759,868	S	*	6/2016	Vivenzio	D26/38
D827,692	S	*	9/2018	Ahman	D16/203
D832,330	S	*	10/2018	Ahman	D16/203
D834,632	S	*	11/2018	Ahman	D16/203
D863,635	S	*	10/2019	Soo	D26/46
D863,636	S	*	10/2019	Soo	D26/46
D866,646	S	*	11/2019	Liu	D16/239
D884,776	S	*	5/2020	Chen	D16/239
D889,715	S	*	7/2020	Nguyen	D26/46

* cited by examiner

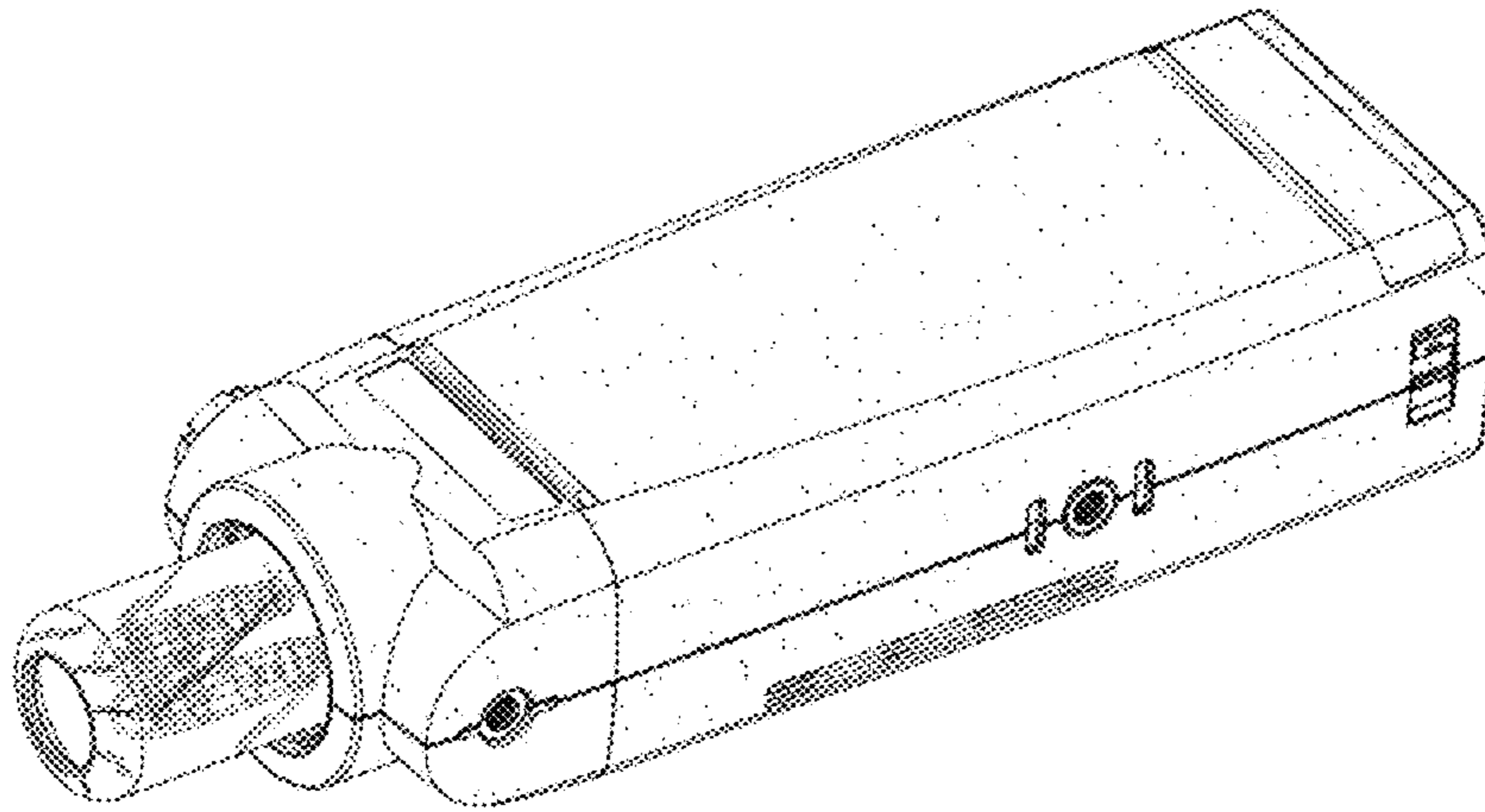


FIG. 1

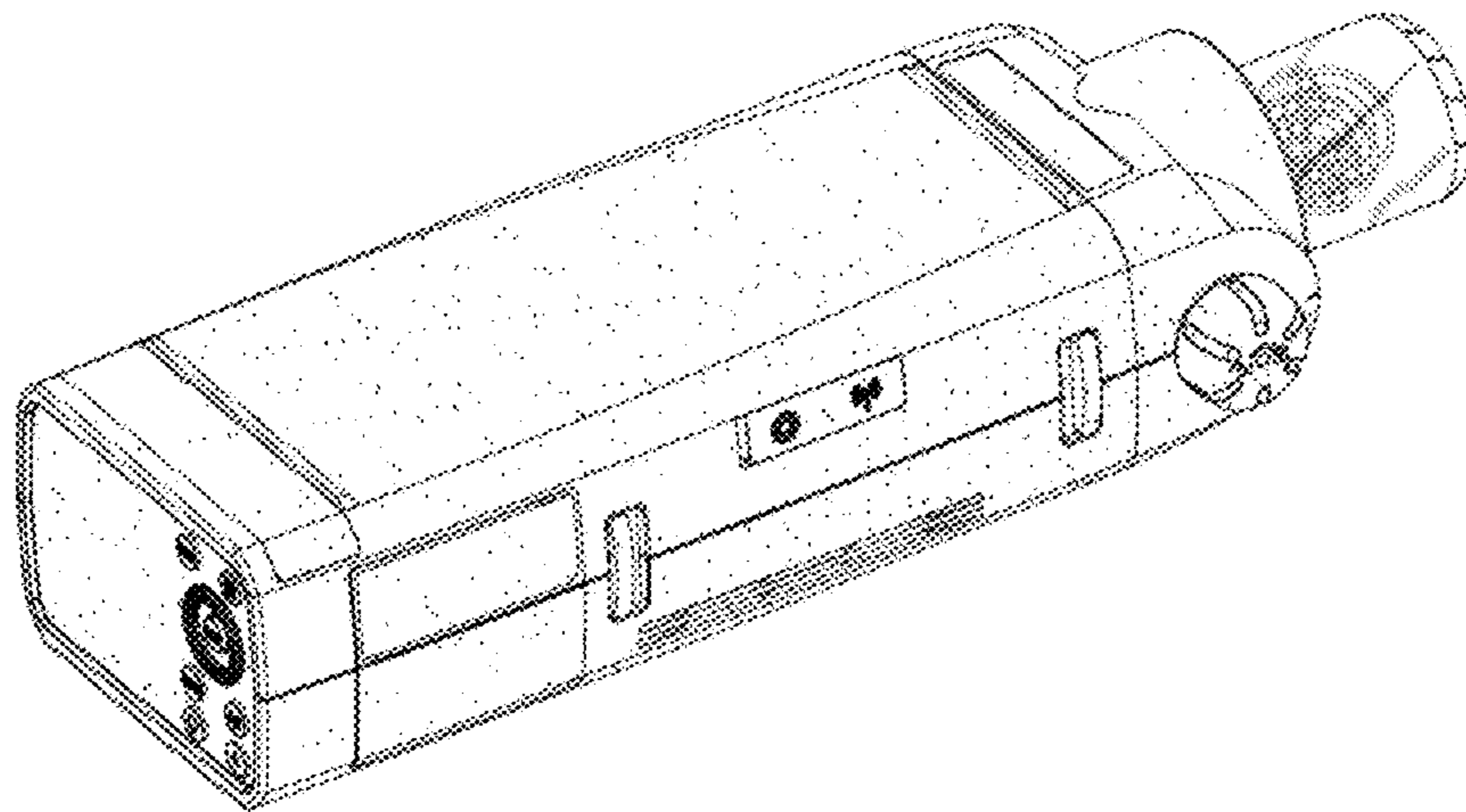


FIG. 2

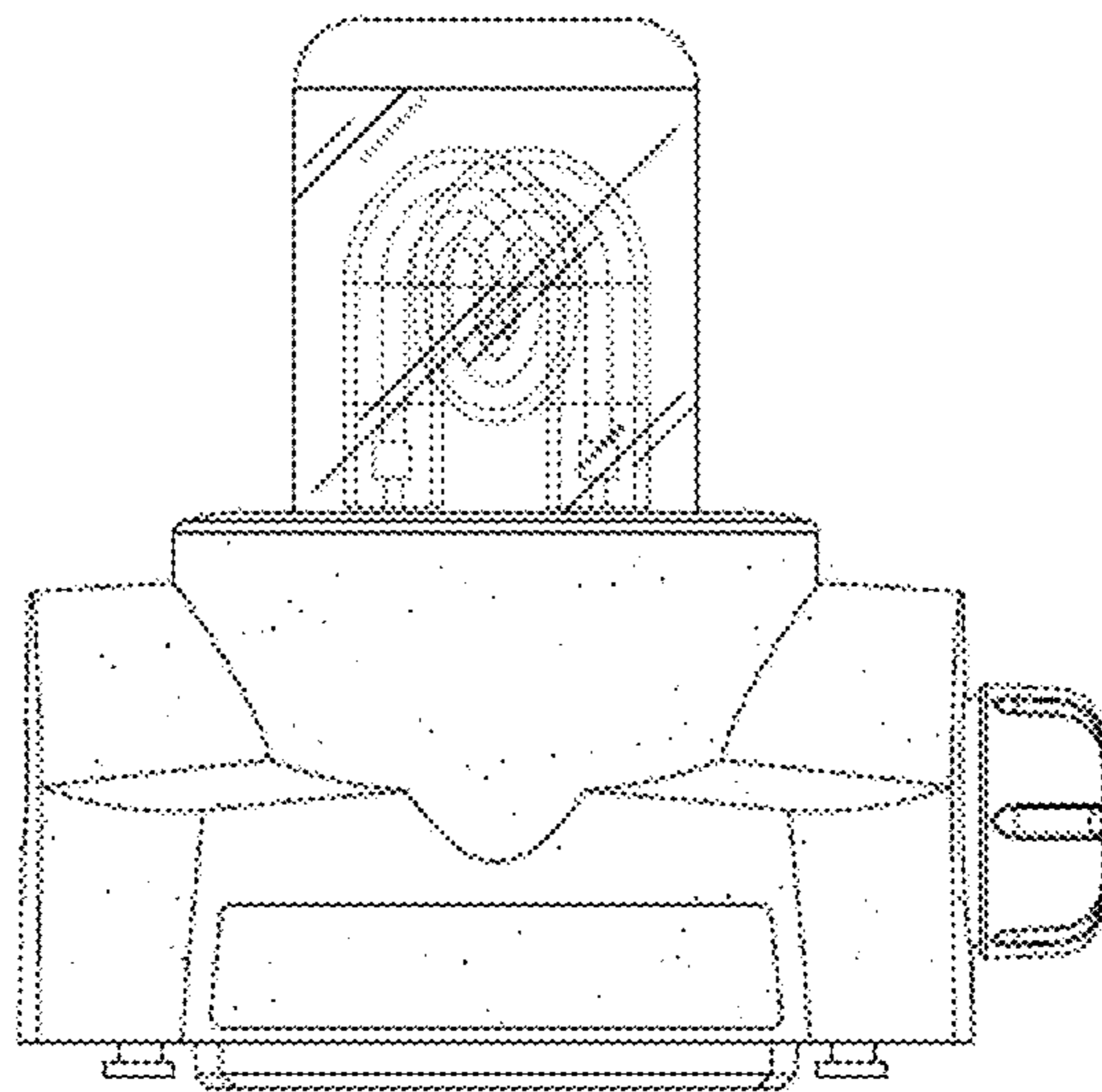


FIG. 3

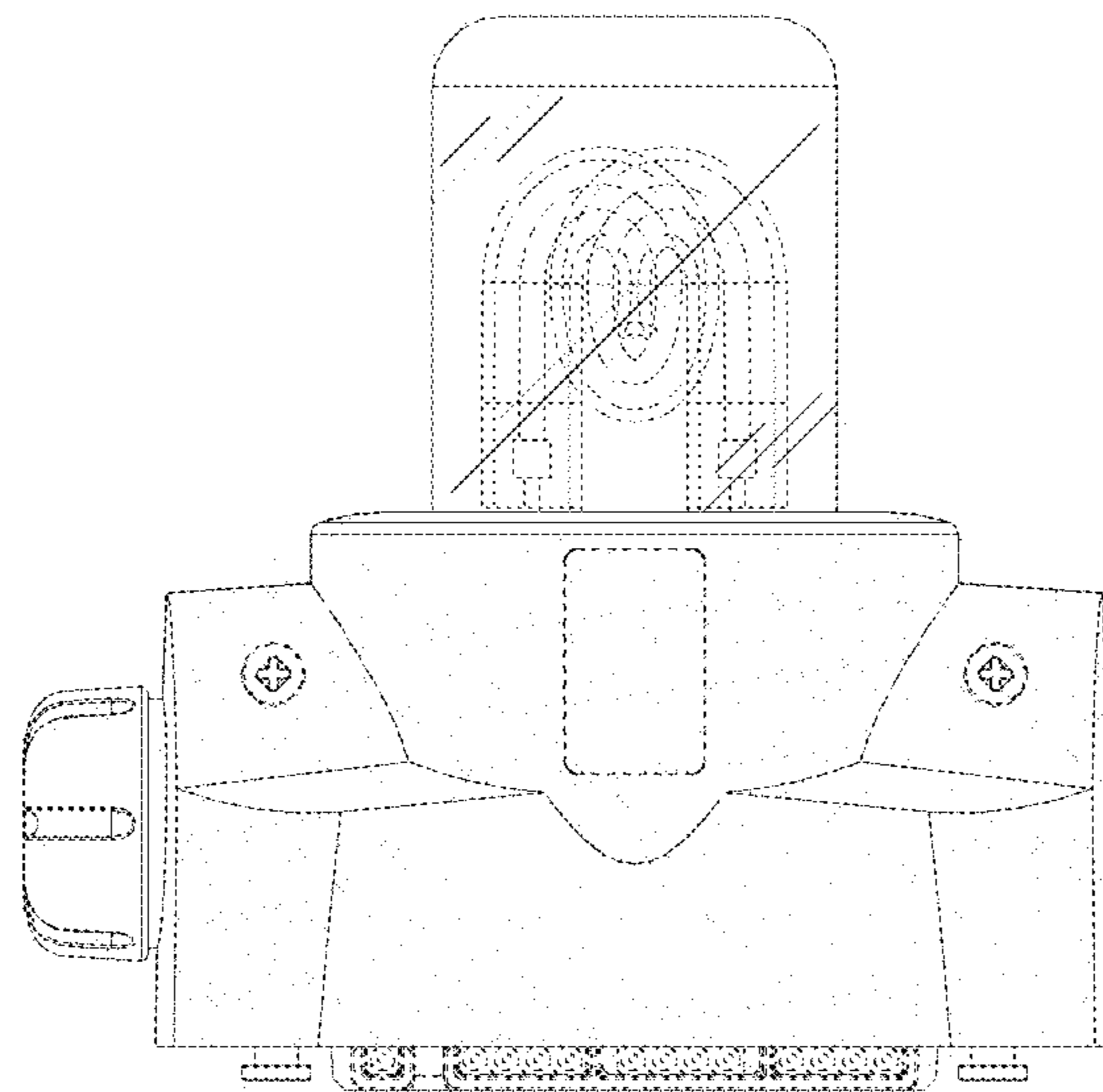


FIG. 4

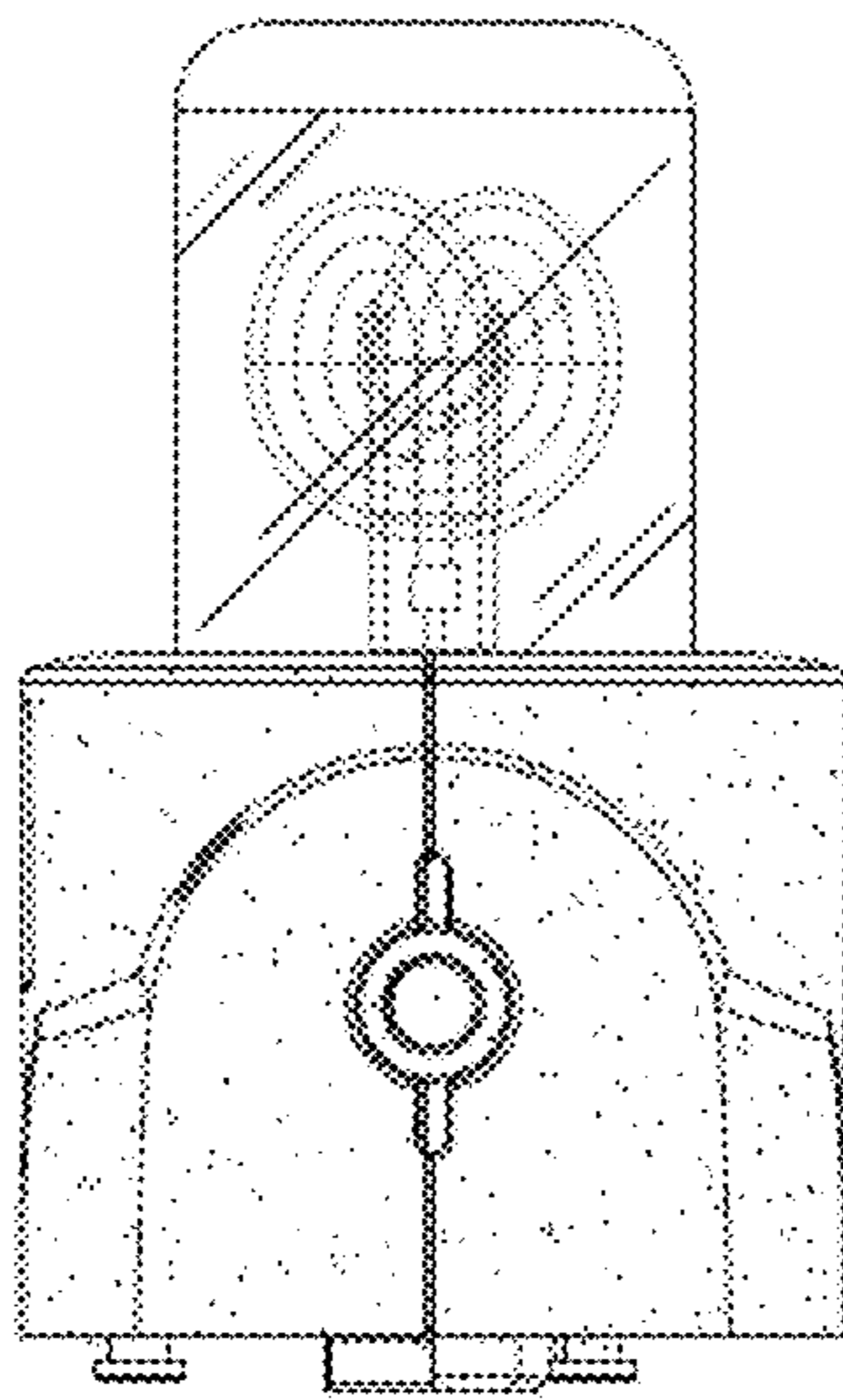


FIG. 5

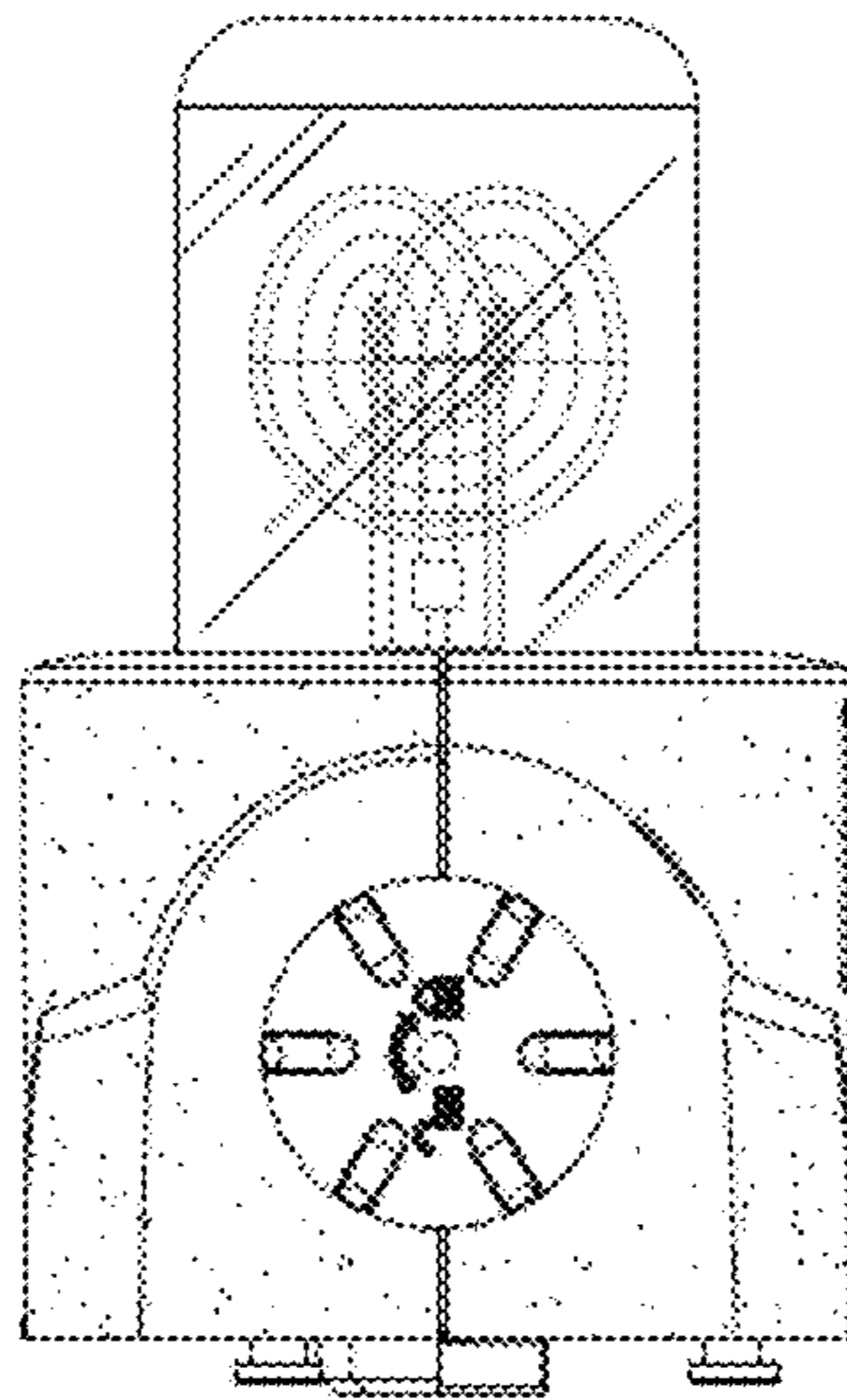


FIG. 6

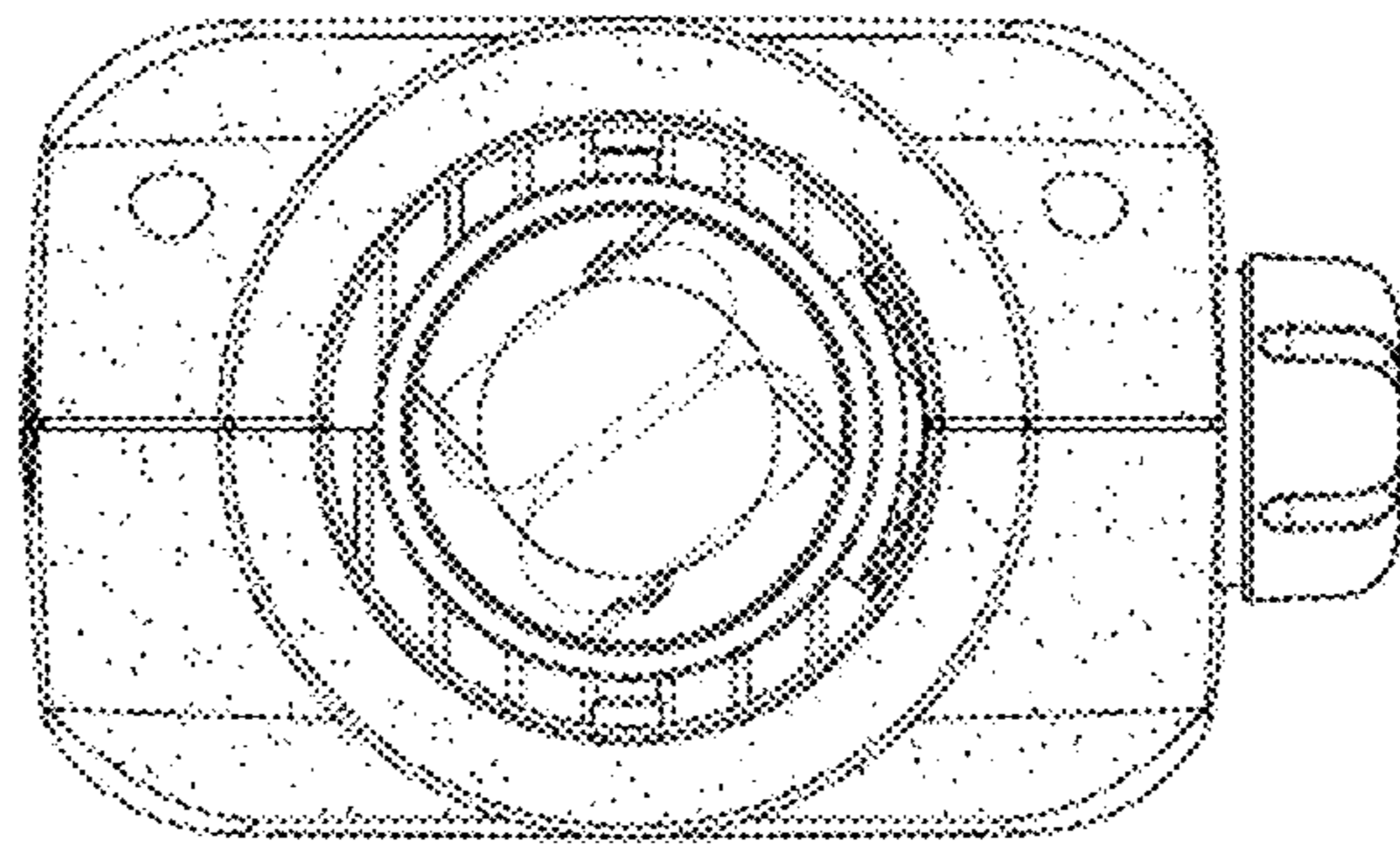


FIG. 7

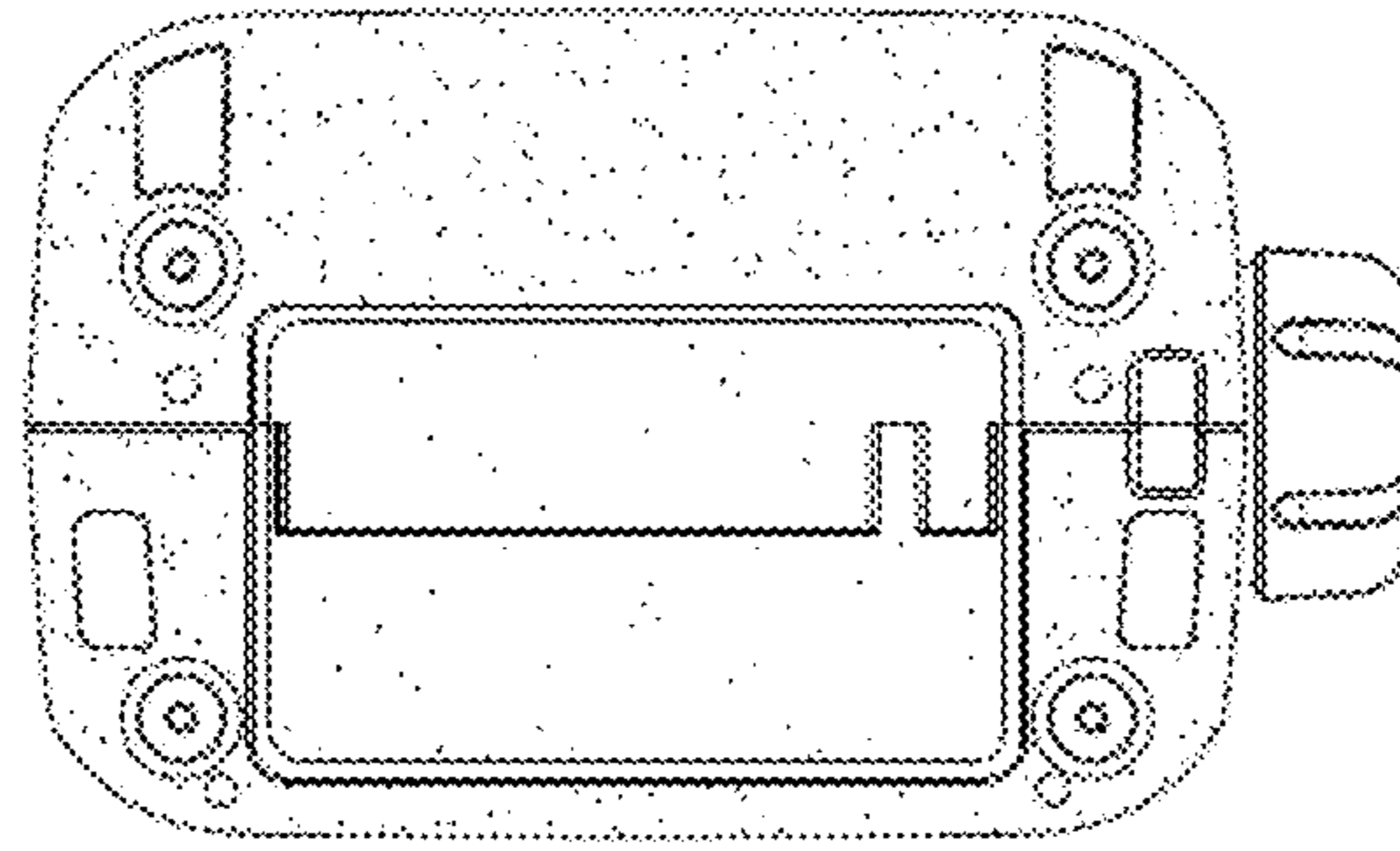


FIG. 8

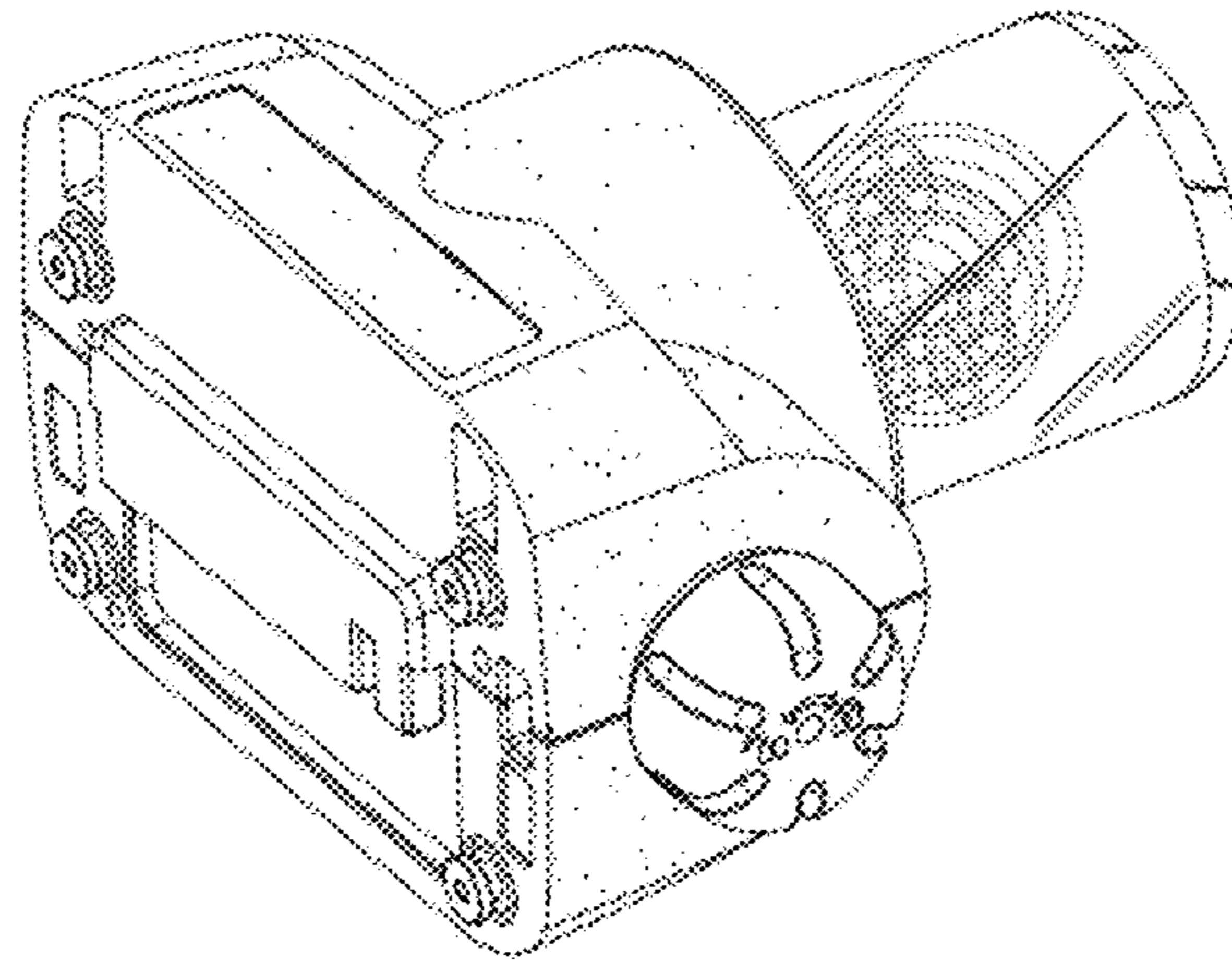


FIG. 9

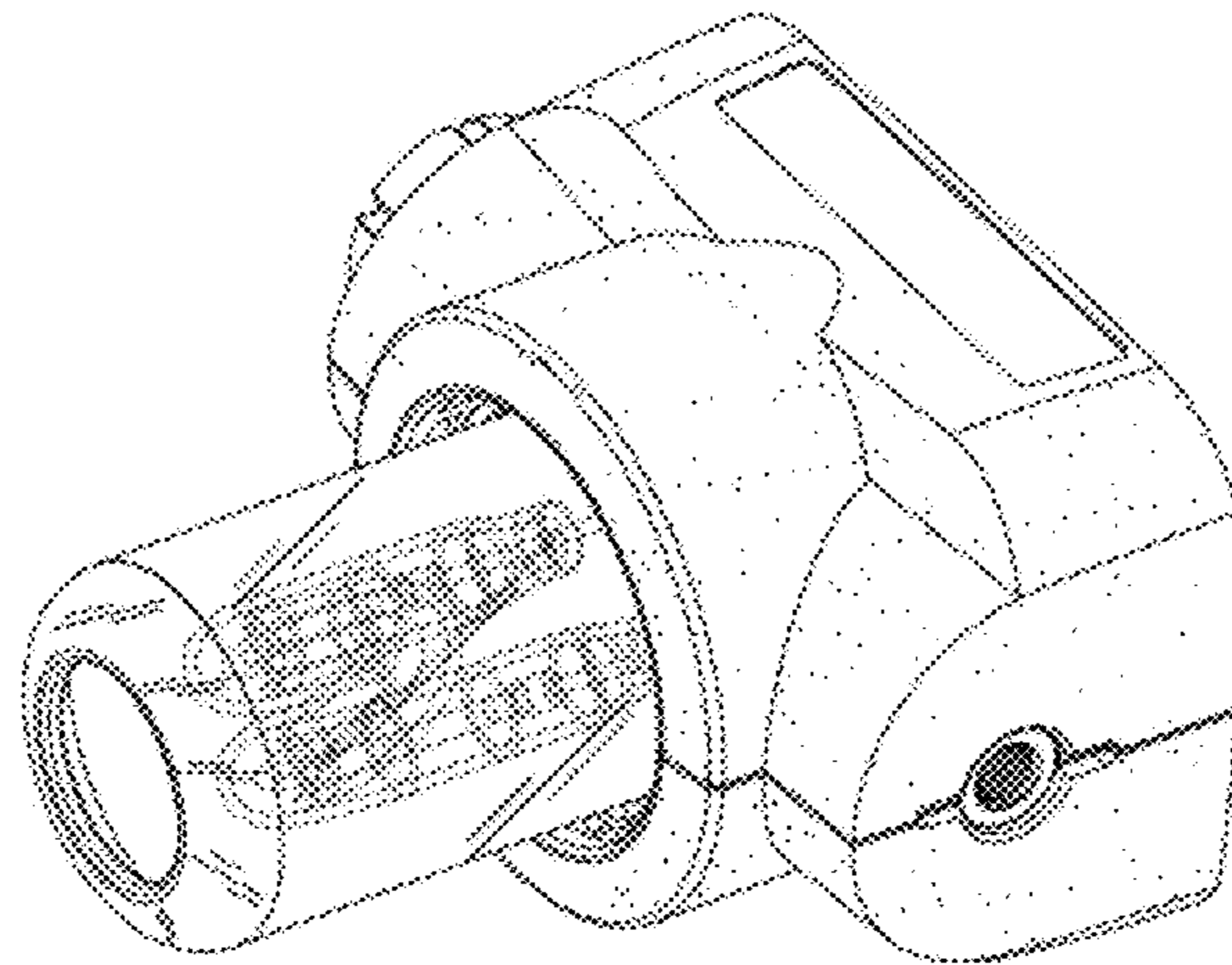


FIG. 10

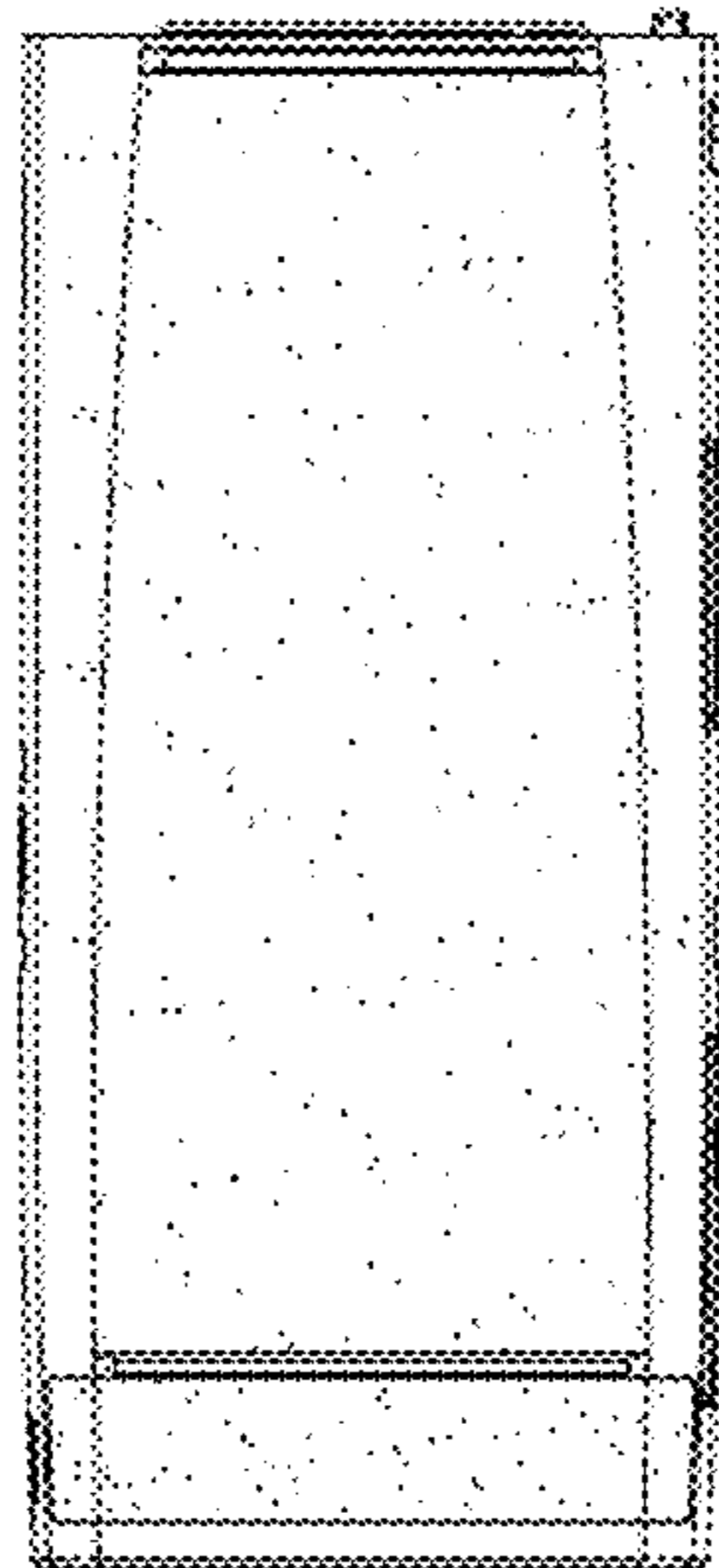


FIG. 11

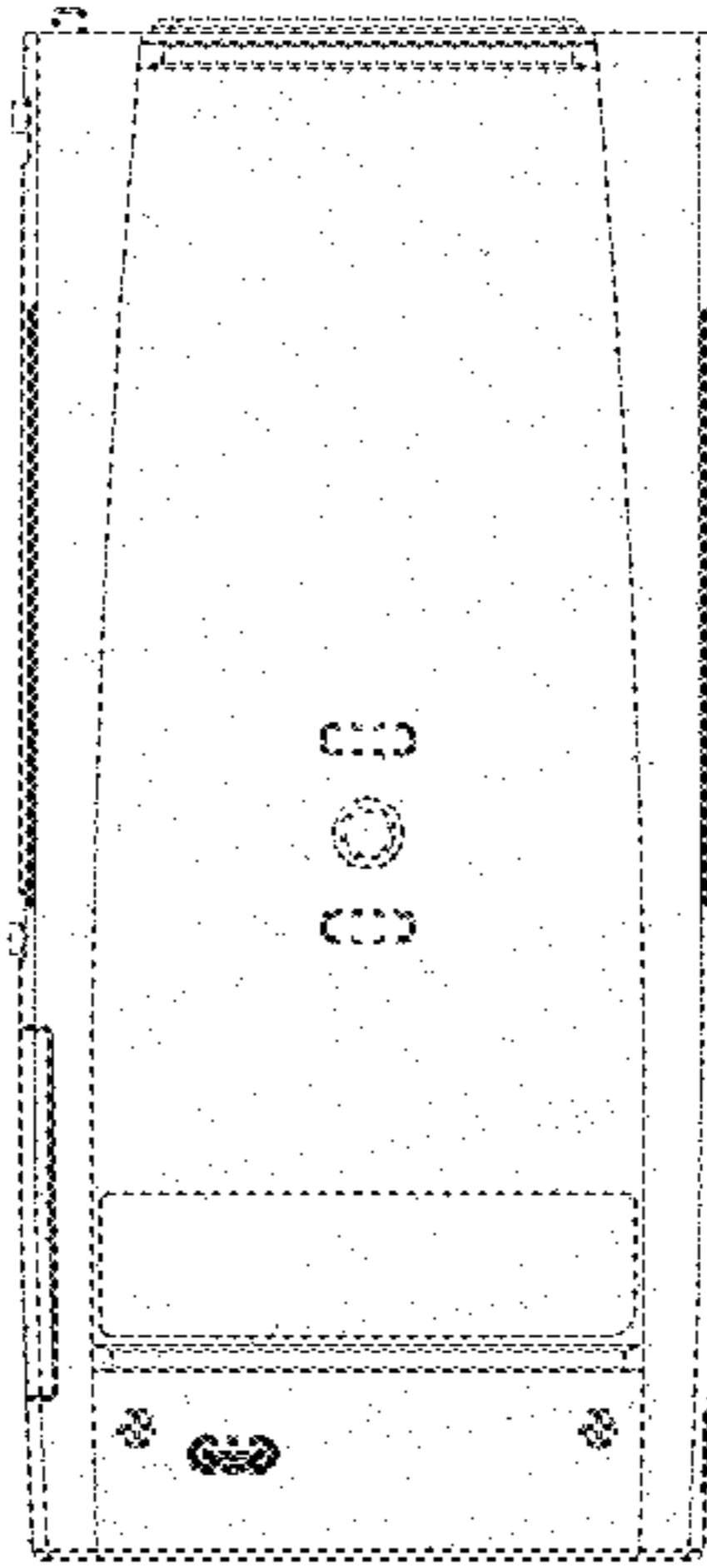


FIG. 12

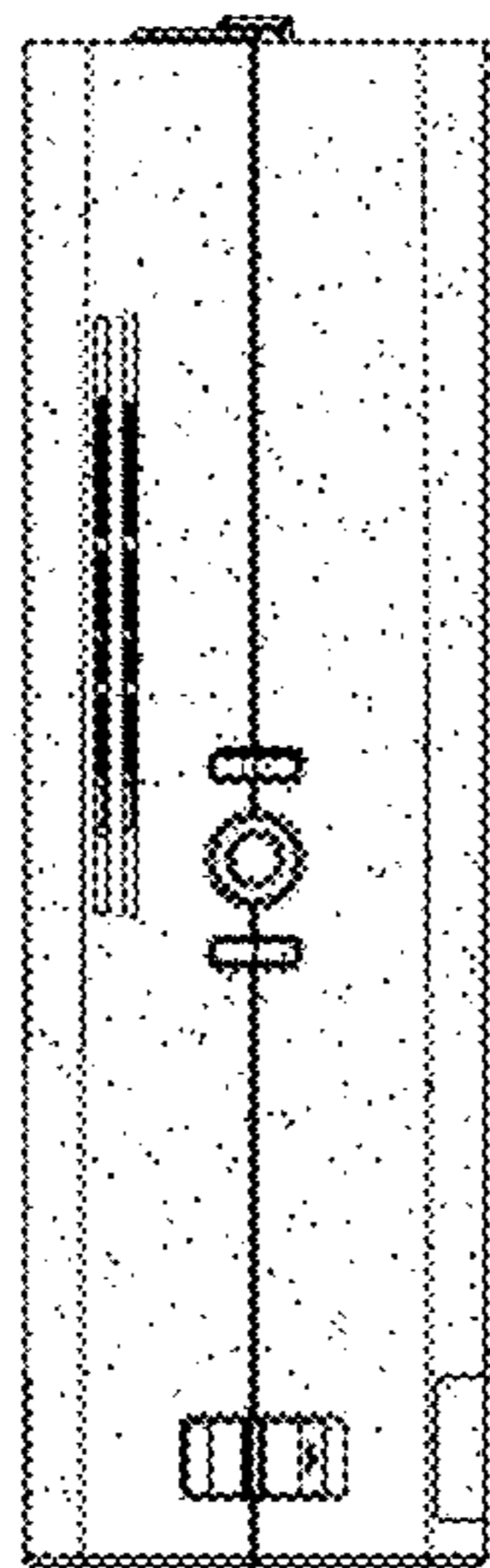


FIG. 13

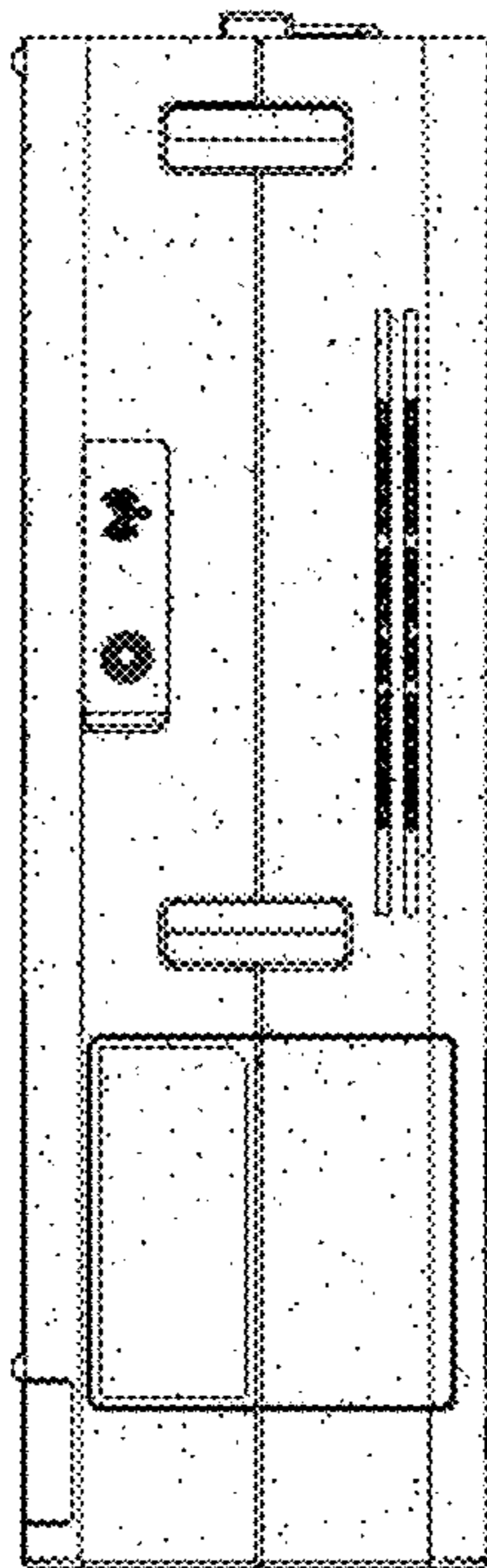


FIG. 14

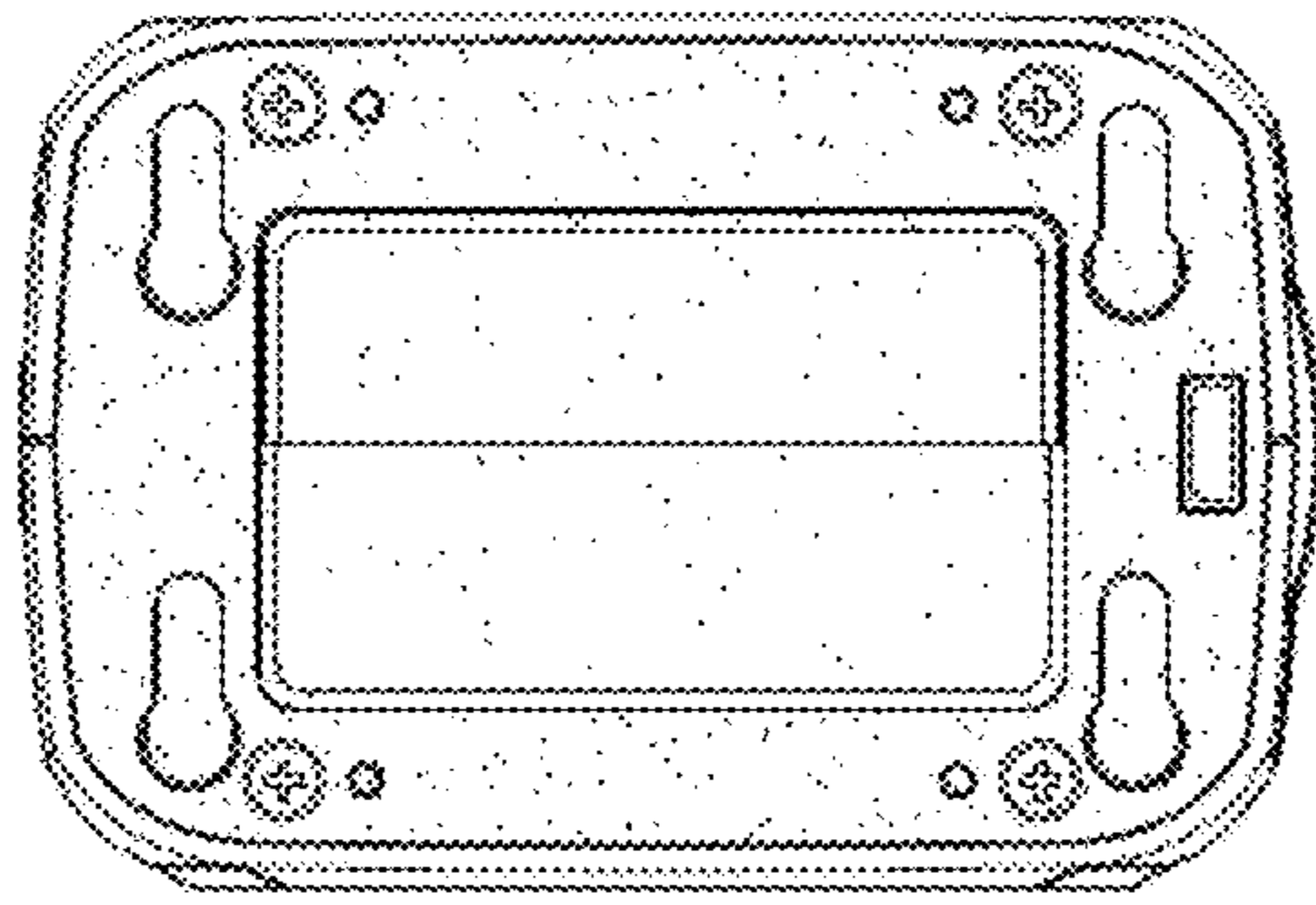


FIG. 15

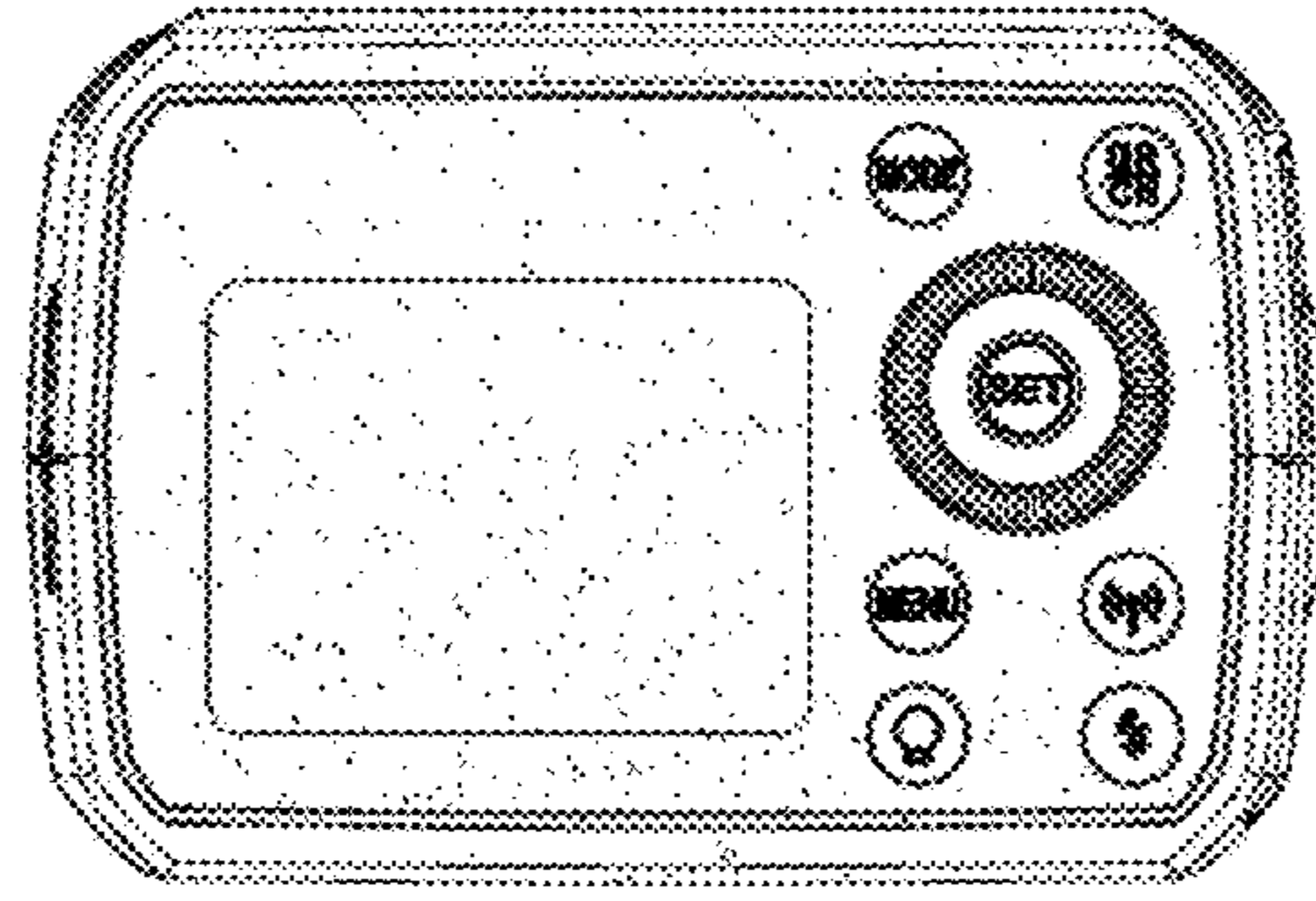


FIG. 16

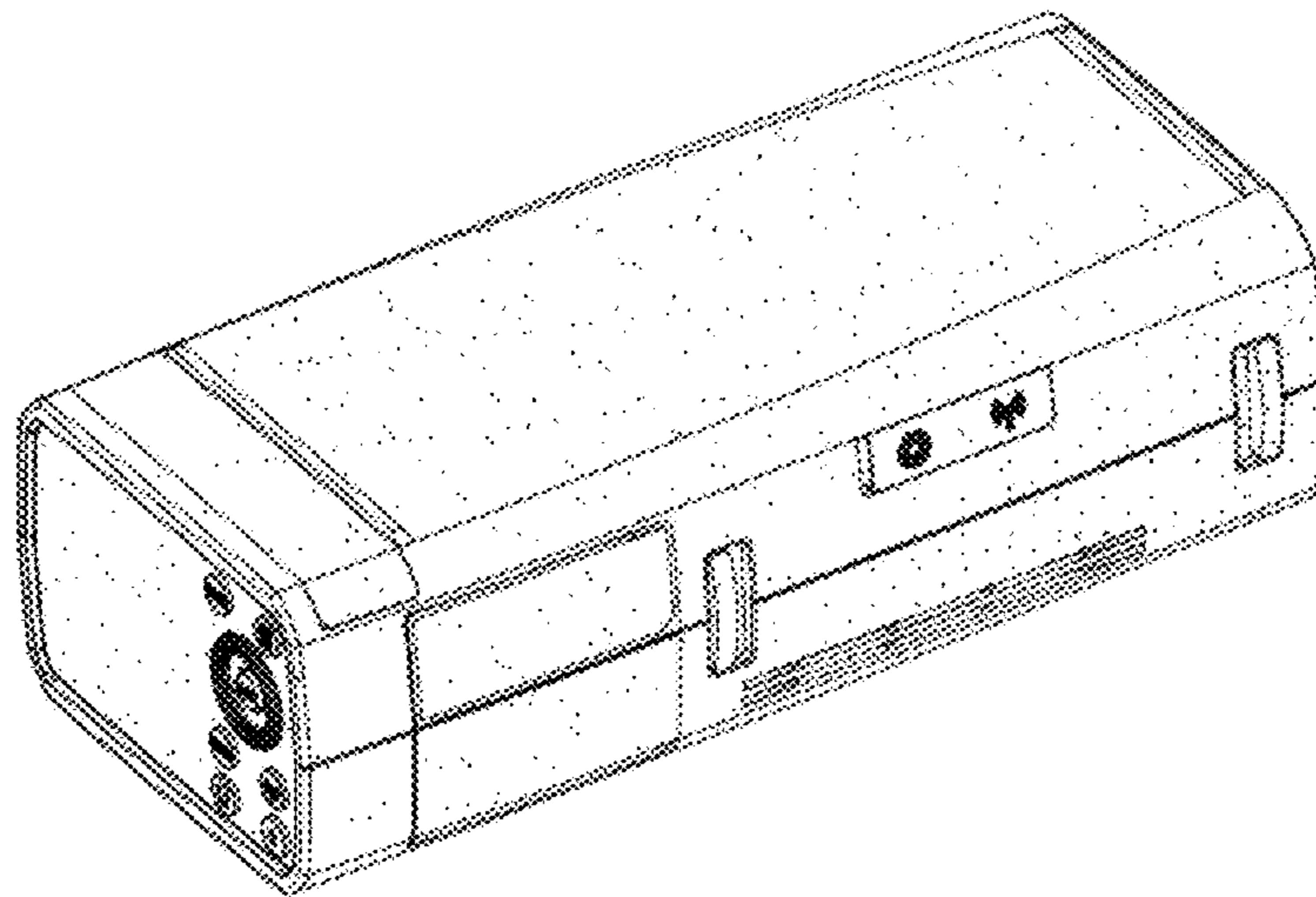


FIG. 17

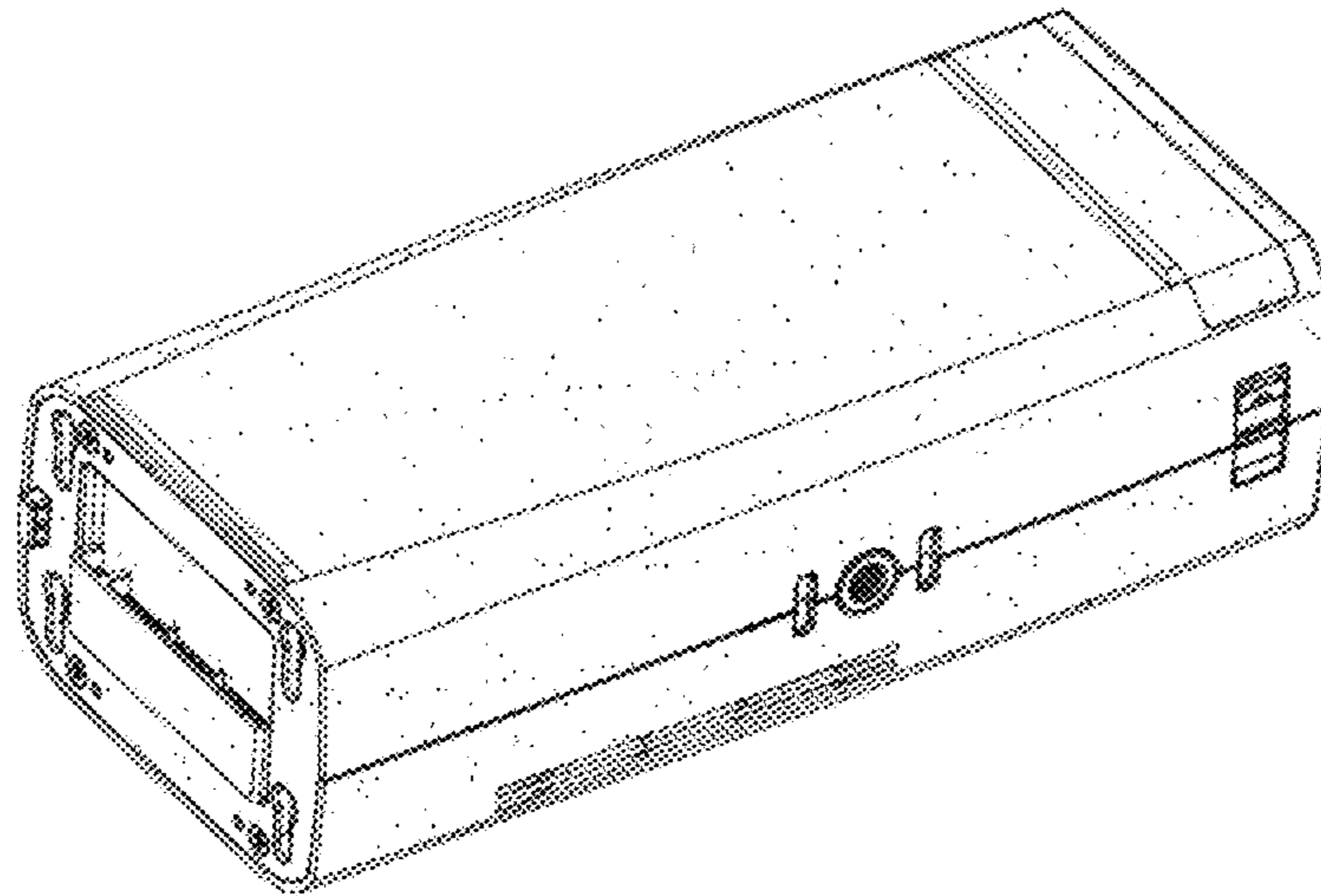


FIG. 18