



US00D932537S

(12) **United States Design Patent**
Yoshida

(10) **Patent No.:** **US D932,537 S**

(45) **Date of Patent:** **** *Oct. 5, 2021**

(54) **STAND FOR ELECTRONIC DEVICE**

(71) Applicant: **FUJIFILM Corporation**, Tokyo (JP)

(72) Inventor: **Koji Yoshida**, Saitama (JP)

(73) Assignee: **FUJIFILM Corporation**, Tokyo (JP)

(*) Notice: This patent is subject to a terminal disclaimer.

(**) Term: **15 Years**

(21) Appl. No.: **29/697,314**

(22) Filed: **Jul. 8, 2019**

(30) **Foreign Application Priority Data**

Feb. 5, 2019 (JP) 2019-002243

(51) **LOC (13) Cl.** **16-02**

(52) **U.S. Cl.**
USPC **D16/235**

(58) **Field of Classification Search**
USPC D16/221-222, 225, 235, 237, 242, 245,
D16/136; D8/373, 349, 370, 380;
D14/224

CPC F16M 11/00; F16M 11/04; F16M 11/041;
F16M 11/10; F16M 11/18; G03B 21/54
See application file for complete search history.

(56) **References Cited**

U.S. PATENT DOCUMENTS

D150,044 S *	6/1948	Wolfe	D16/221
D218,071 S *	7/1970	Armbruster	D16/221
D233,856 S *	12/1974	Kira	D16/221
D257,388 S *	10/1980	Jordan	D16/221
D276,165 S *	10/1984	Spilman	D16/221
D298,011 S *	10/1988	Jans	D8/349
D468,335 S *	1/2003	Goto	D16/221
D543,229 S *	5/2007	Hochendoner	D16/235
D574,407 S *	8/2008	Dittmer	D16/235

D909,453 S *	2/2021	Yoshida	D16/235
2008/0179475 A1 *	7/2008	Whitley	F16M 13/027 248/218.4
2015/0286117 A1 *	10/2015	Sung	F16M 11/041 224/191

* cited by examiner

Primary Examiner — Janice Hallmark

(74) *Attorney, Agent, or Firm* — Stuebaker & Brackett
PC

(57) **CLAIM**

The ornamental design for a stand for electronic device, as shown and described.

DESCRIPTION

FIG. 1 is a top perspective view of a stand for electronic device indicating condition that legs are closed, showing my new design;

FIG. 2 is a bottom perspective view thereof;

FIG. 3 is a front view thereof;

FIG. 4 is a rear view thereof;

FIG. 5 is a top plan view thereof;

FIG. 6 is a bottom plan view thereof;

FIG. 7 is a right side view thereof;

FIG. 8 is a left side view thereof;

FIG. 9 is a top perspective view of the stand for electronic device indicating condition that the legs are opened, showing my new design;

FIG. 10 is a bottom perspective view thereof;

FIG. 11 is a front view thereof;

FIG. 12 is a rear view thereof;

FIG. 13 is a top plan view thereof;

FIG. 14 is a bottom plan view thereof;

FIG. 15 is a right side view thereof; and,

FIG. 16 is a left side view thereof.

The design of a stand for electronic device has legs which transition from the closed condition to the open condition and vice versa, wherein the transition forms no part of the claimed design.

1 Claim, 8 Drawing Sheets

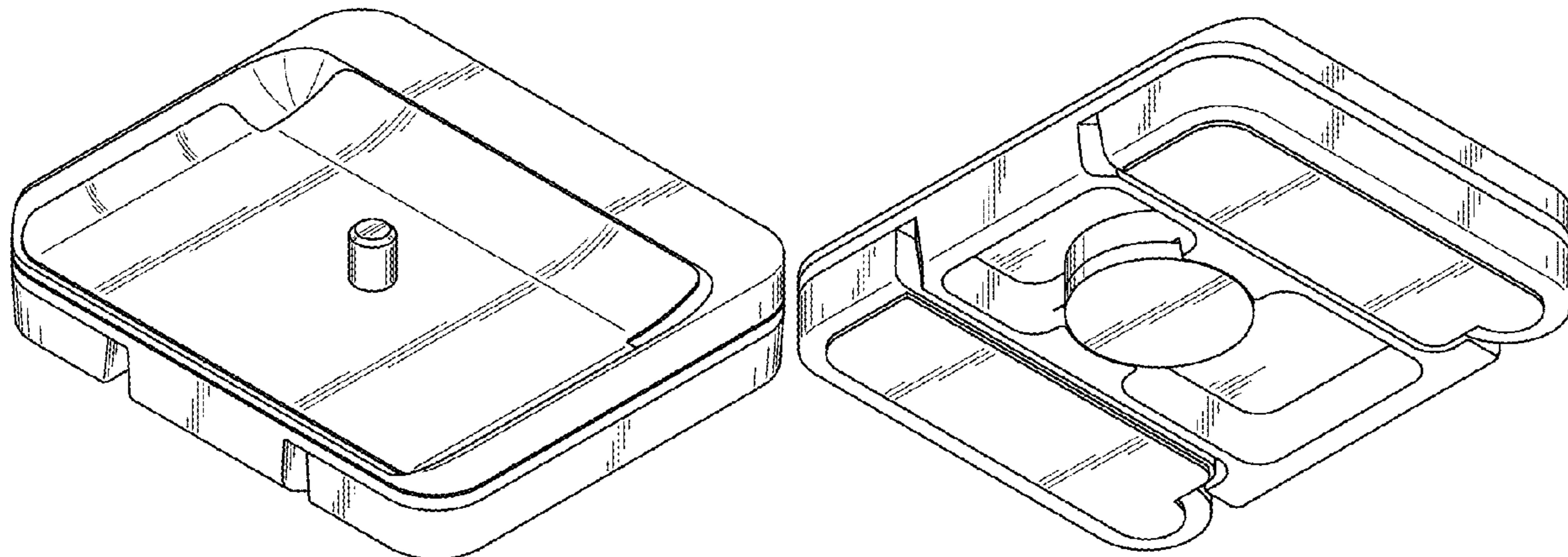


FIG. 1

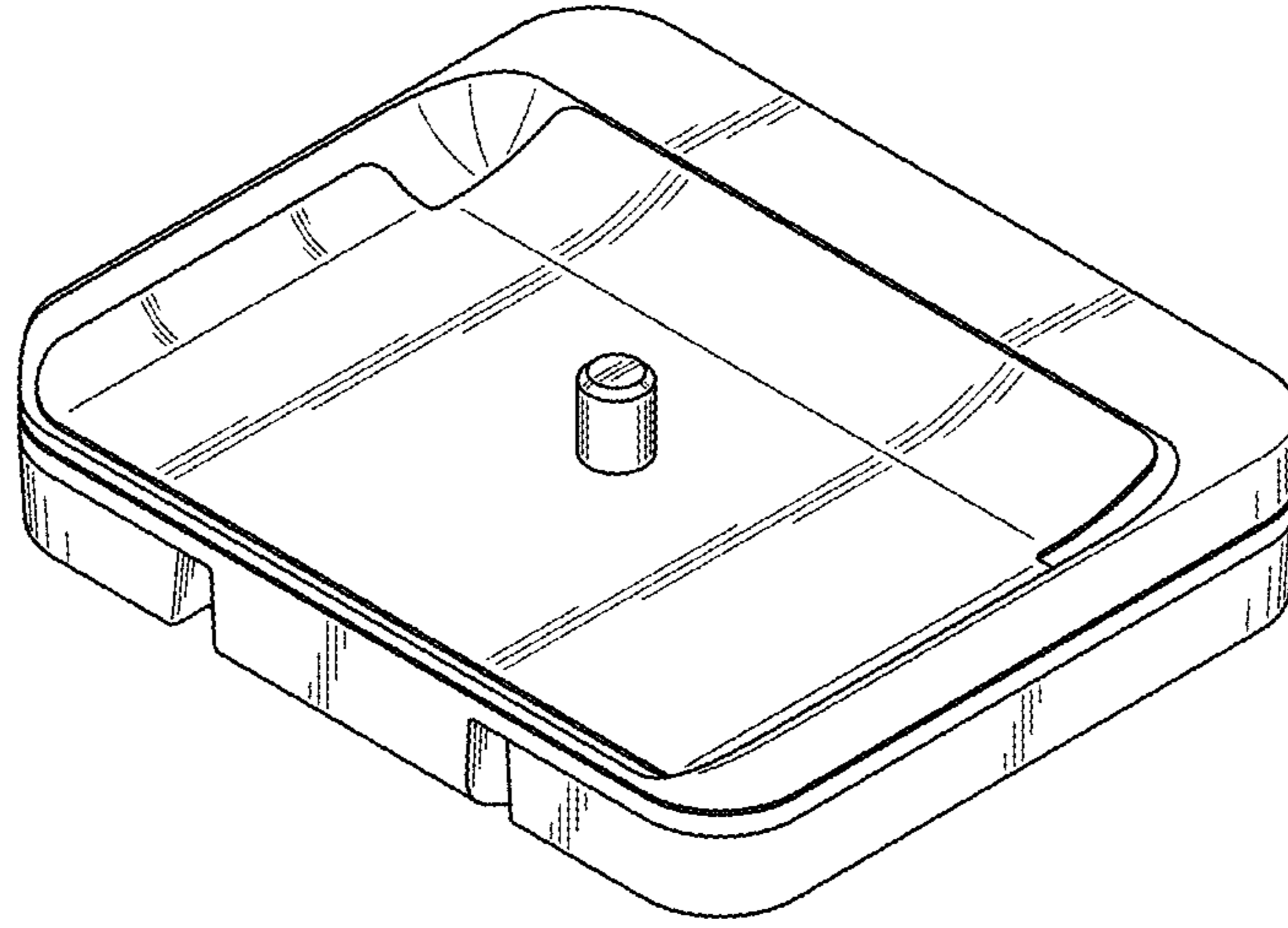


FIG. 2

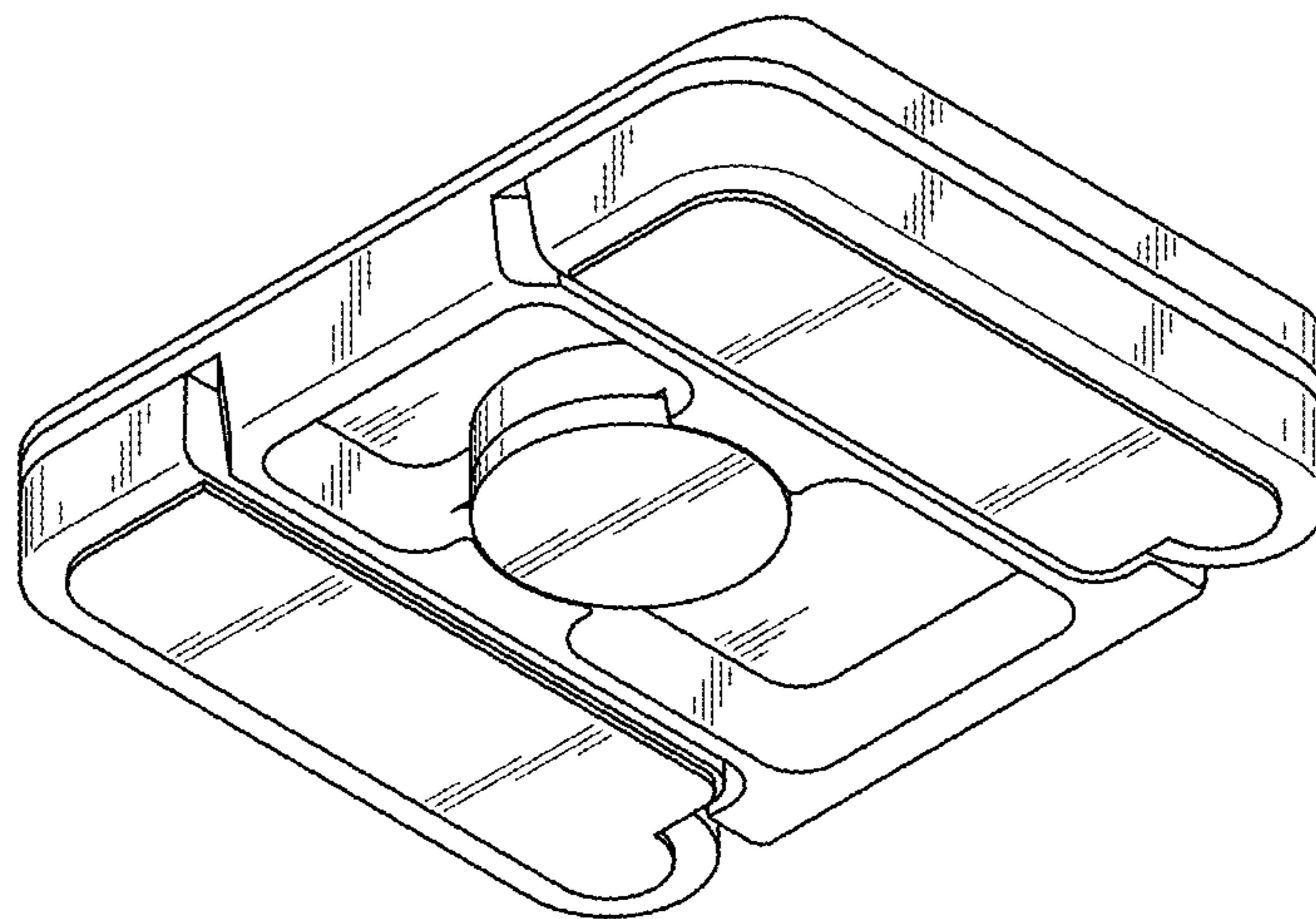


FIG. 3

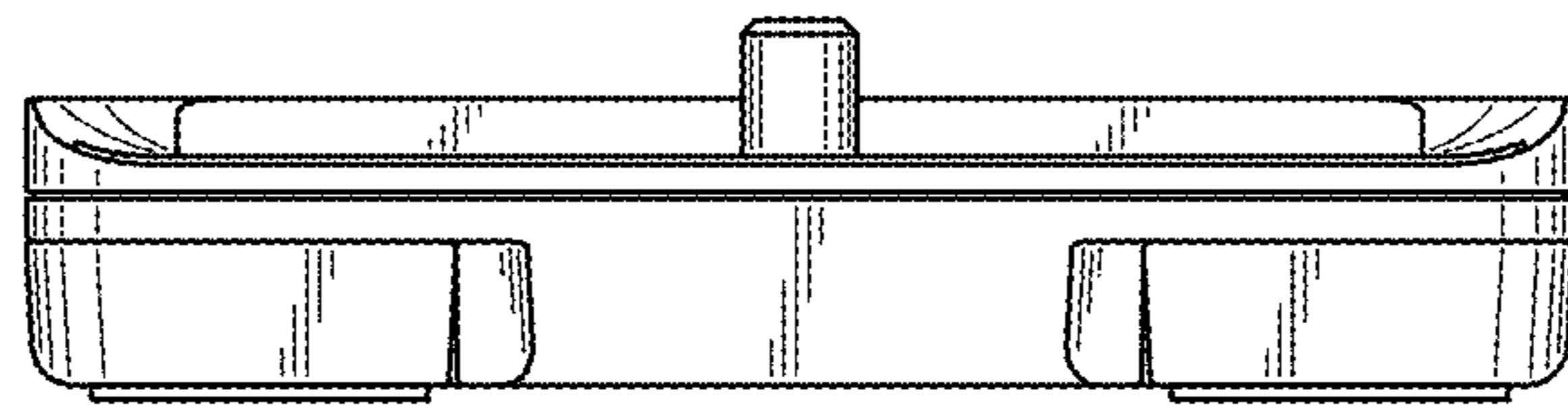


FIG. 4

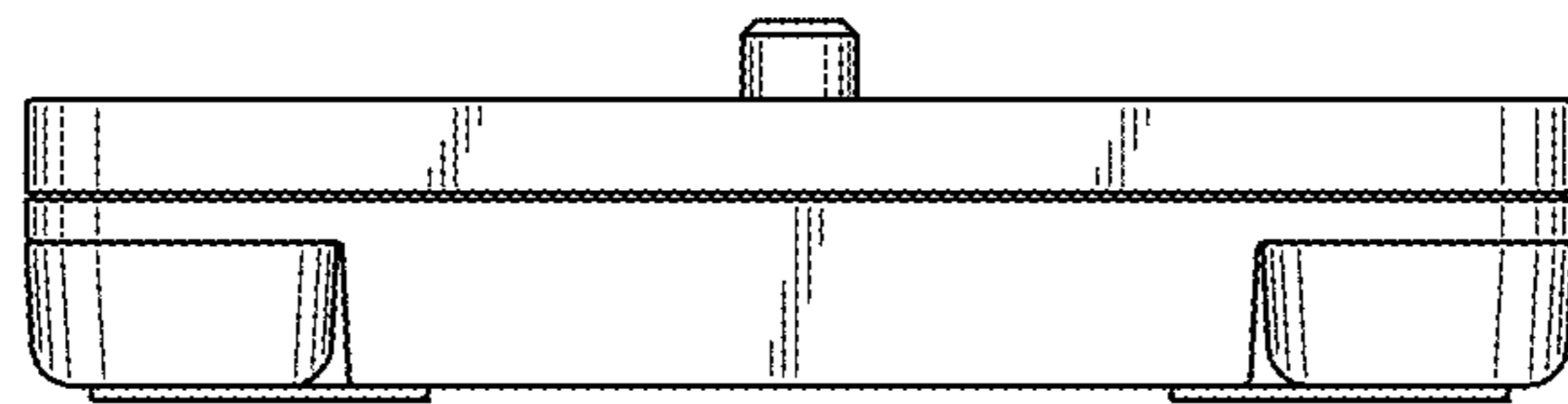


FIG. 5

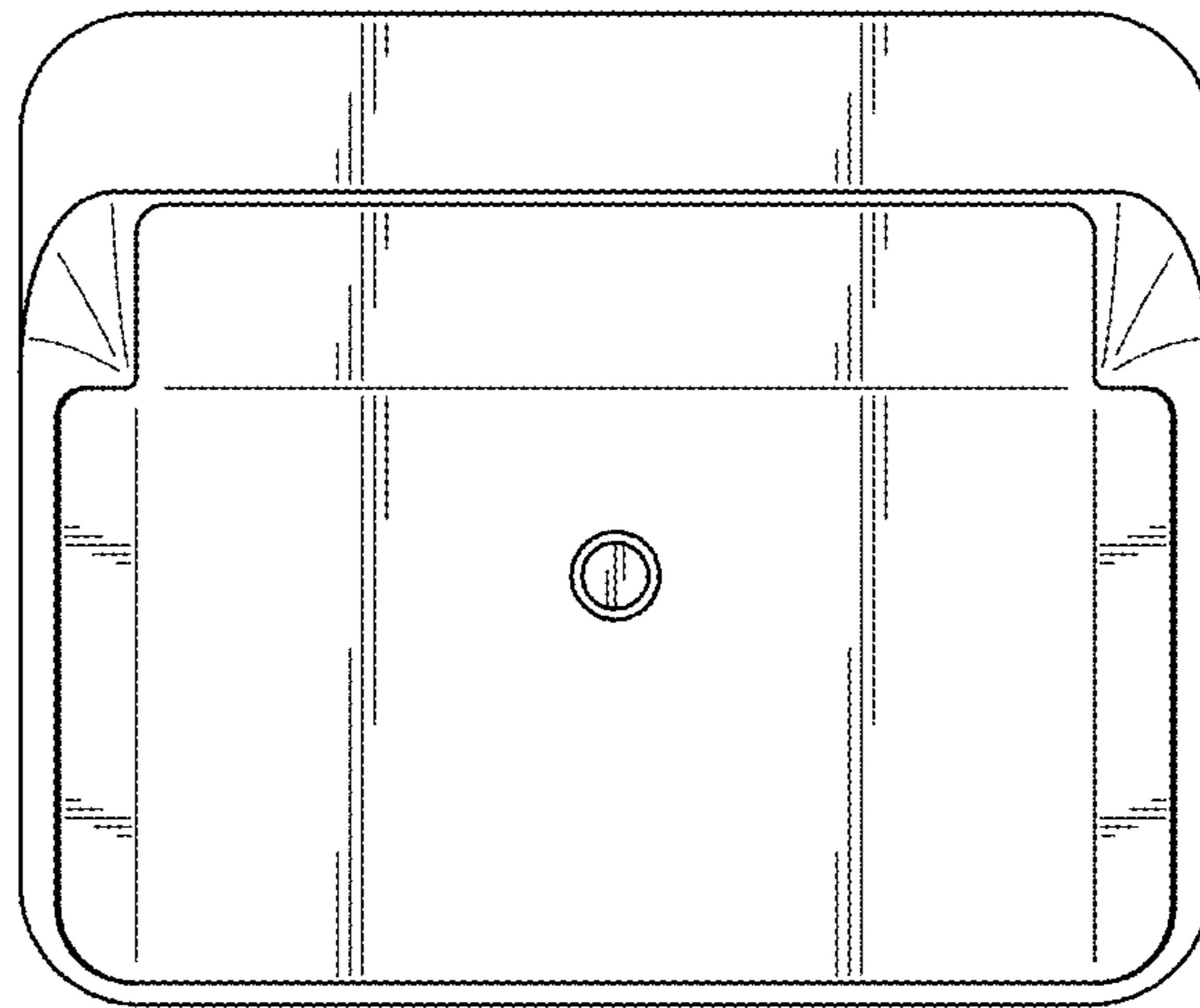


FIG. 6

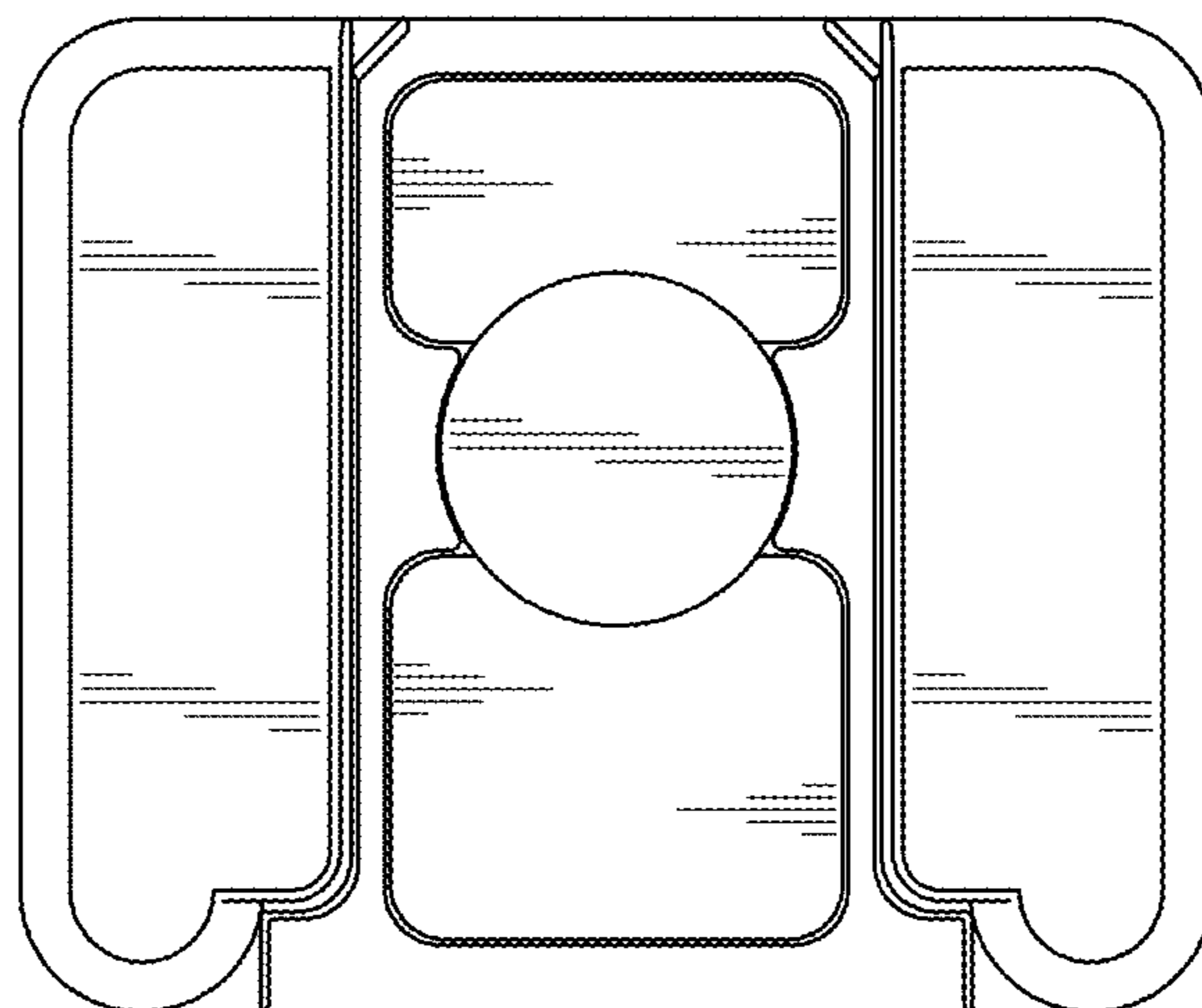


FIG. 7

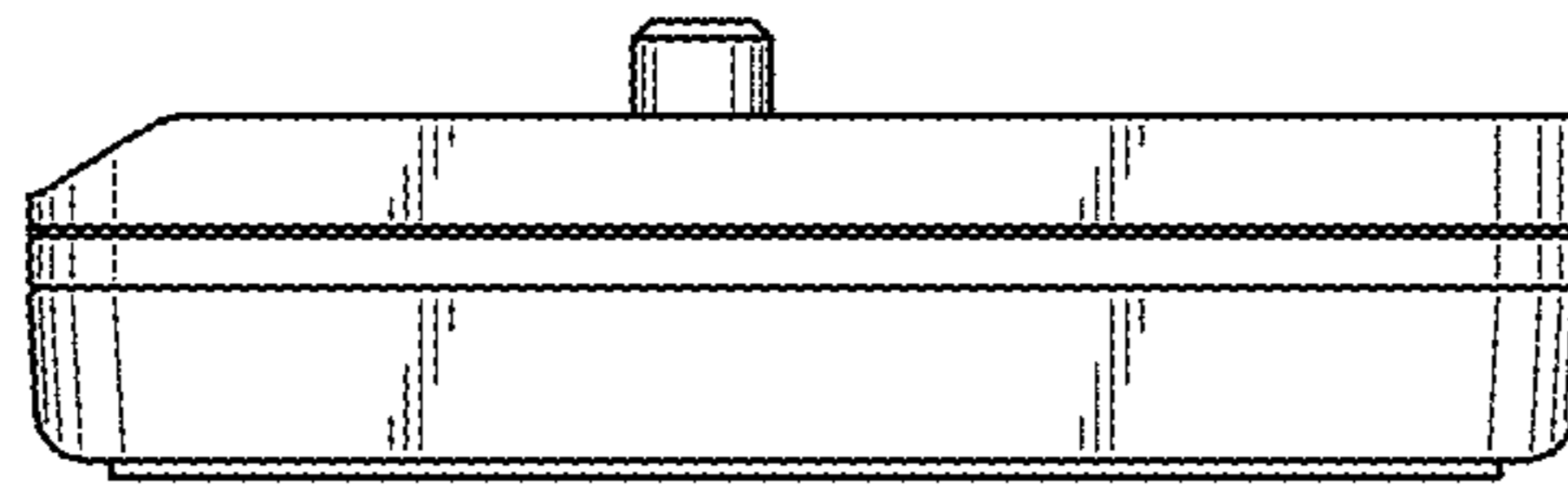


FIG. 8

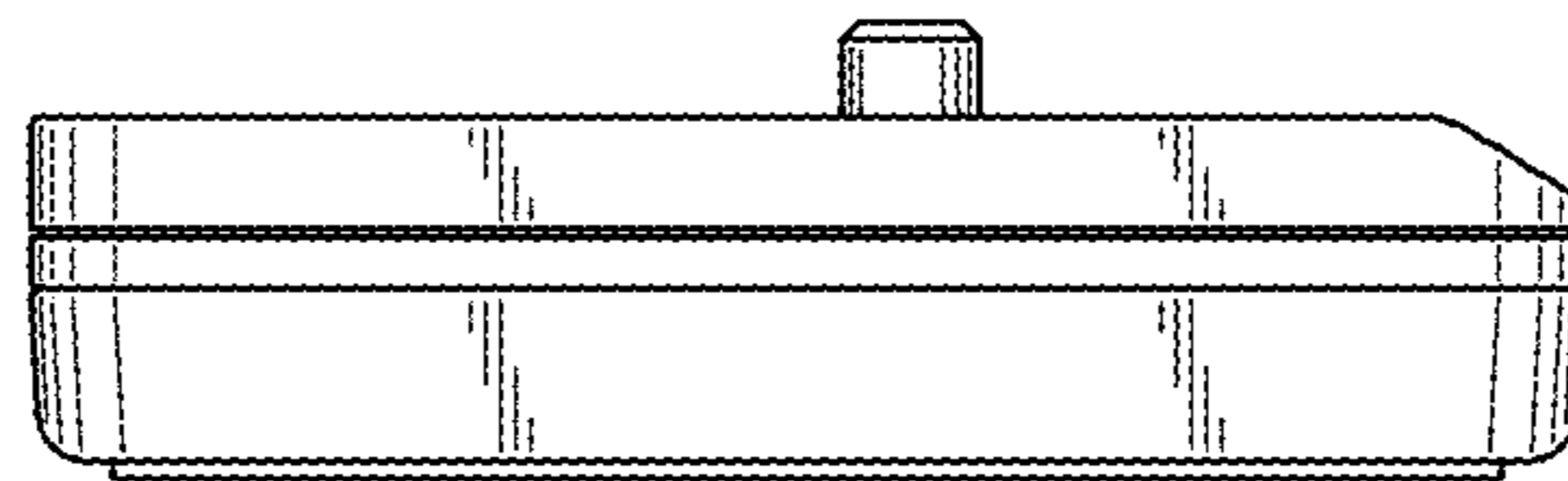


FIG. 9

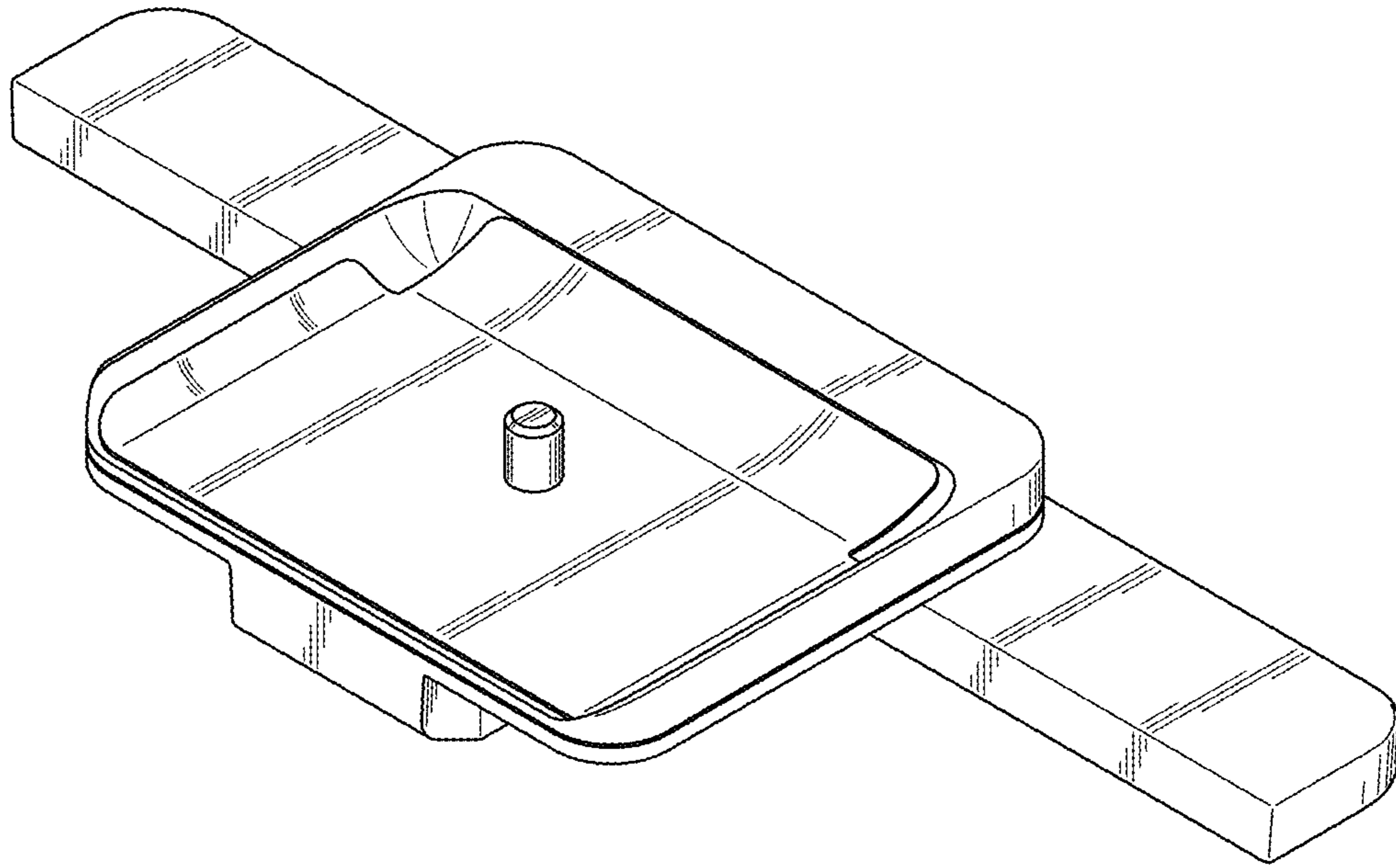


FIG. 10

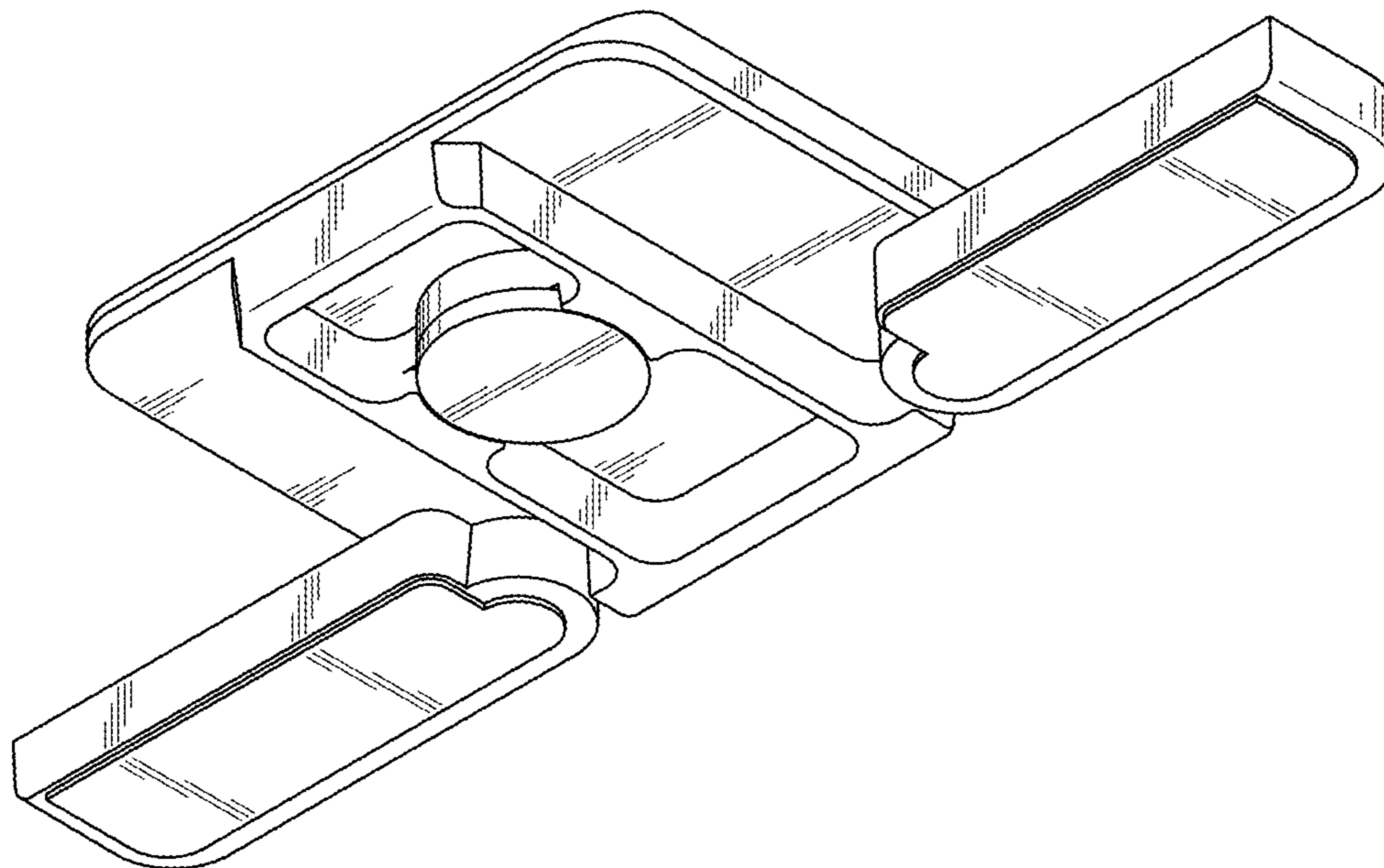


FIG. 11

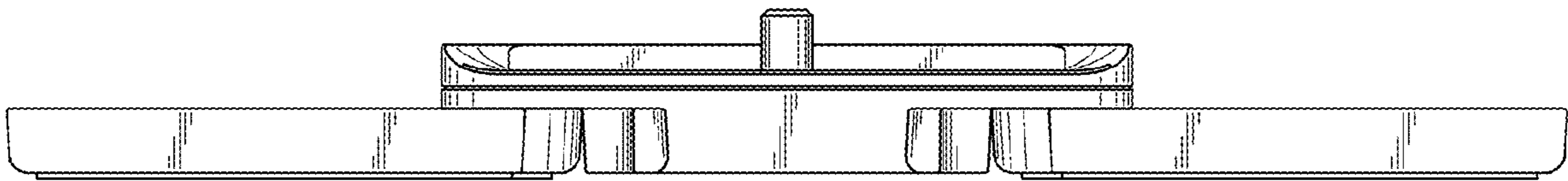


FIG. 12

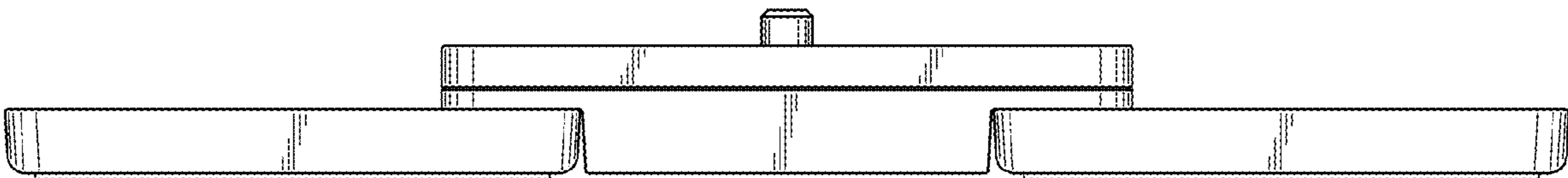


FIG. 13

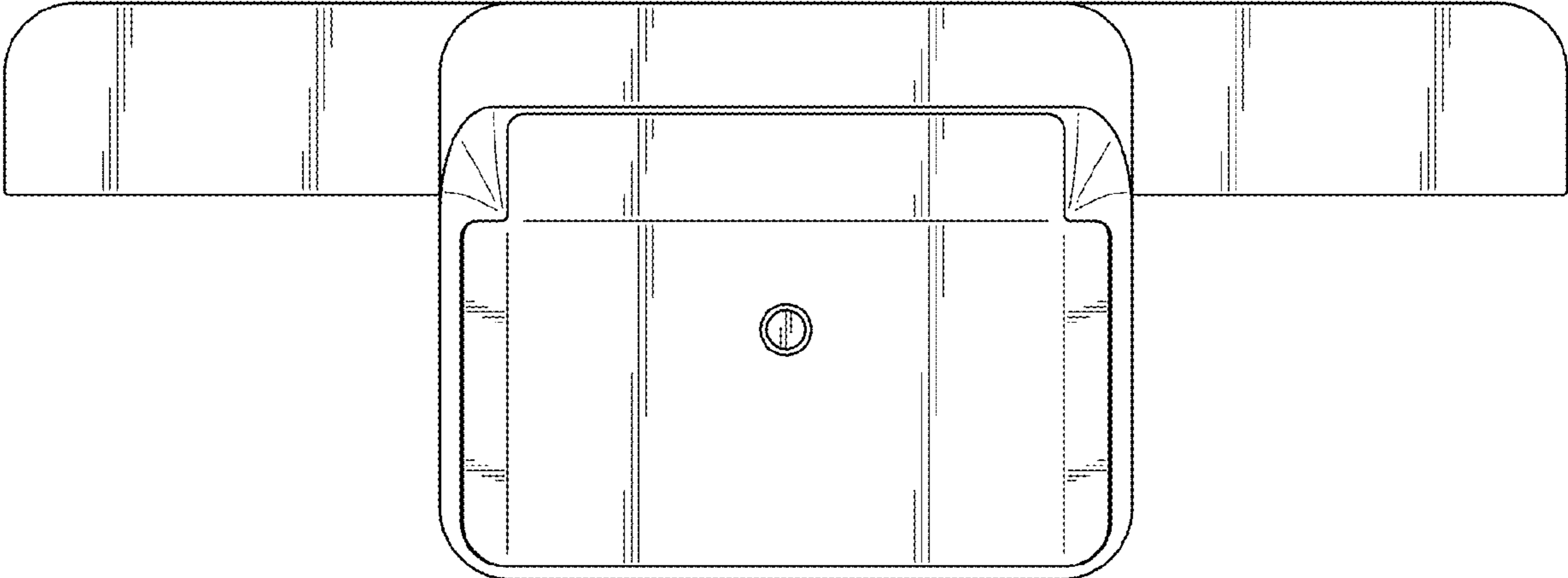


FIG. 14

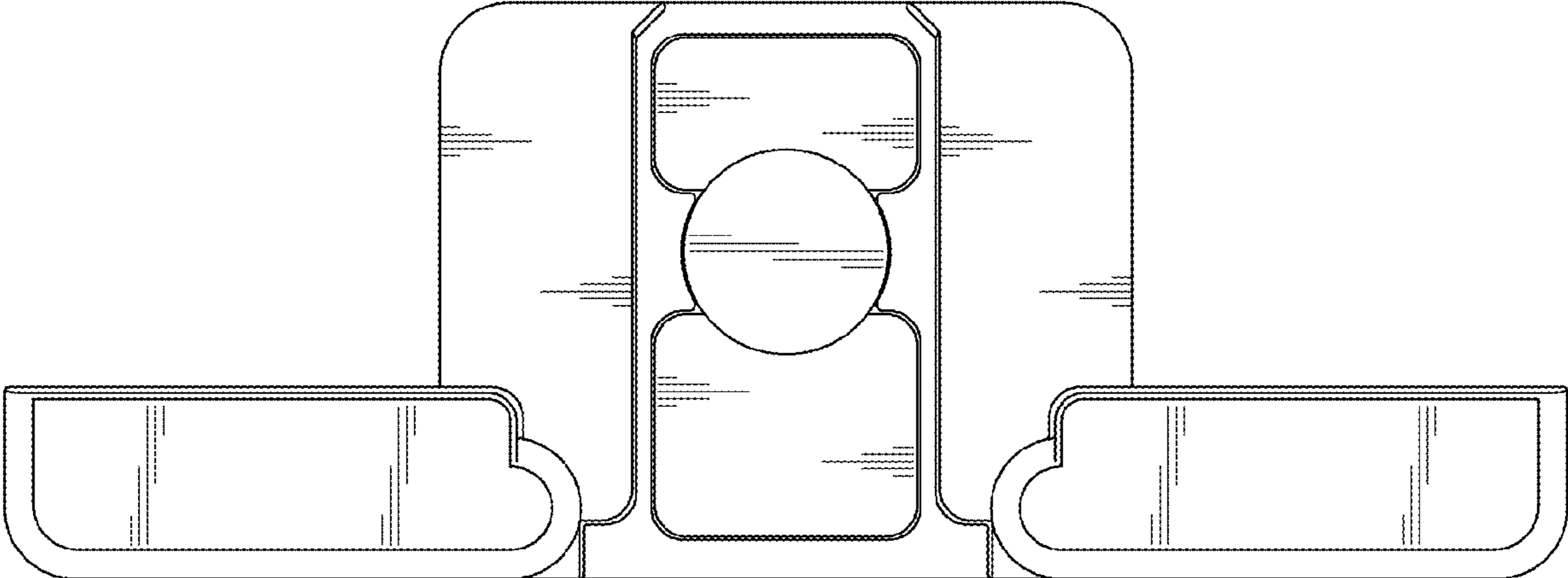


FIG. 15

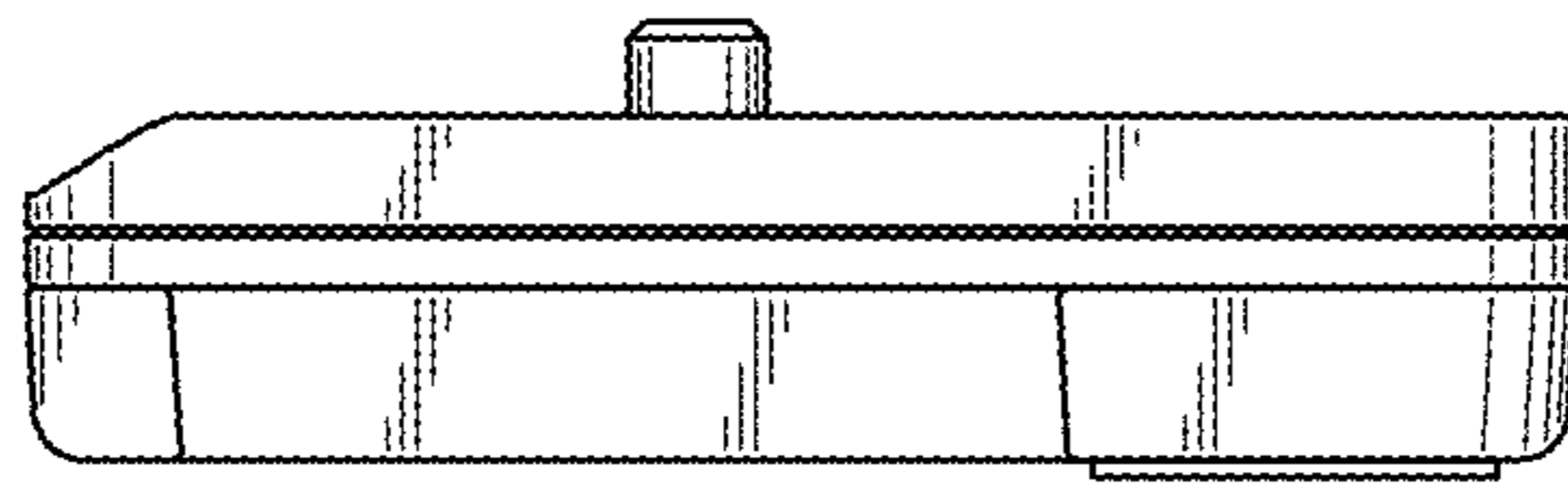


FIG. 16

