



US00D932536S

(12) **United States Design Patent**  
**Yoon et al.**

(10) **Patent No.:** **US D932,536 S**

(45) **Date of Patent:** **\*\* Oct. 5, 2021**

(54) **INTERCHANGEABLE LENS FOR CAMERA**

(71) Applicant: **SAMYANG OPTICS CO., LTD.**,  
Changwon-si (KR)

(72) Inventors: **Soo Won Yoon**, Changwon-si (KR);  
**Eun Jin Kim**, Changwon-si (KR);  
**Myeong-hwan Ryu**, Changwon-si  
(KR); **Dong Kyu Heo**, Seoul (KR)

(73) Assignee: **SAMYANG OPTICS CO., LTD.**,  
Changwon-si (KR)

(\*\*) Term: **15 Years**

(21) Appl. No.: **29/713,722**

(22) Filed: **Nov. 18, 2019**

(30) **Foreign Application Priority Data**

Sep. 10, 2019 (KR) ..... 30-2019-0043684

(51) **LOC (13) Cl.** ..... **16-05**

(52) **U.S. Cl.**  
USPC ..... **D16/219**

(58) **Field of Classification Search**  
USPC ..... D16/134, 136, 200, 202–205, 218, 219,  
D16/235, 242; 348/373–376;  
359/826–828; 396/529–532, 535,  
396/539–541  
CPC ..... G03B 17/02; G03B 19/04; G03B 17/56;  
G03B 17/04; G03B 15/03; G03B 17/14;  
H04N 5/2251; H04N 5/2252; H04N  
5/2253; H04N 5/2254; G02B 7/02; G02B  
7/04; G02B 7/14

See application file for complete search history.

(56) **References Cited**

**U.S. PATENT DOCUMENTS**

D684,620 S \* 6/2013 Kim ..... D16/219  
D693,870 S \* 11/2013 Kim ..... D16/219

D696,709 S \* 12/2013 Sato ..... D16/219  
D697,542 S \* 1/2014 Kim ..... D16/219  
D697,543 S \* 1/2014 Kim ..... D16/219  
D704,759 S \* 5/2014 Park ..... D16/219  
D704,760 S \* 5/2014 Jung ..... D16/219  
D737,360 S \* 8/2015 Jung ..... D16/219  
D741,936 S \* 10/2015 Chu ..... D16/219  
D881,260 S \* 4/2020 Ikegame ..... D16/219  
D882,668 S \* 4/2020 Ikegame ..... D16/219

(Continued)

*Primary Examiner* — Ramzi Almatrahi

(74) *Attorney, Agent, or Firm* — SoCal IP Law Group  
LLP; Jonathan Pearce

(57) **CLAIM**

The ornamental design for an interchangeable lens for camera, as shown and described.

**DESCRIPTION**

A portion of the disclosure of this patent document contains material which is subject to copyright protection. This patent document may show and/or describe matter which is or may become trade dress of the owners. The copyright and trade dress owner has no objection to the facsimile reproduction by anyone of the patent disclosure as it appears in the Patent and Trademark Office patent files or records, but otherwise reserves all copyright and trade dress rights whatsoever.

FIG. 1 is a front perspective view of an interchangeable lens for camera;

FIG. 2 is a front view thereof;

FIG. 3 is a rear view thereof;

FIG. 4 is a left side view thereof;

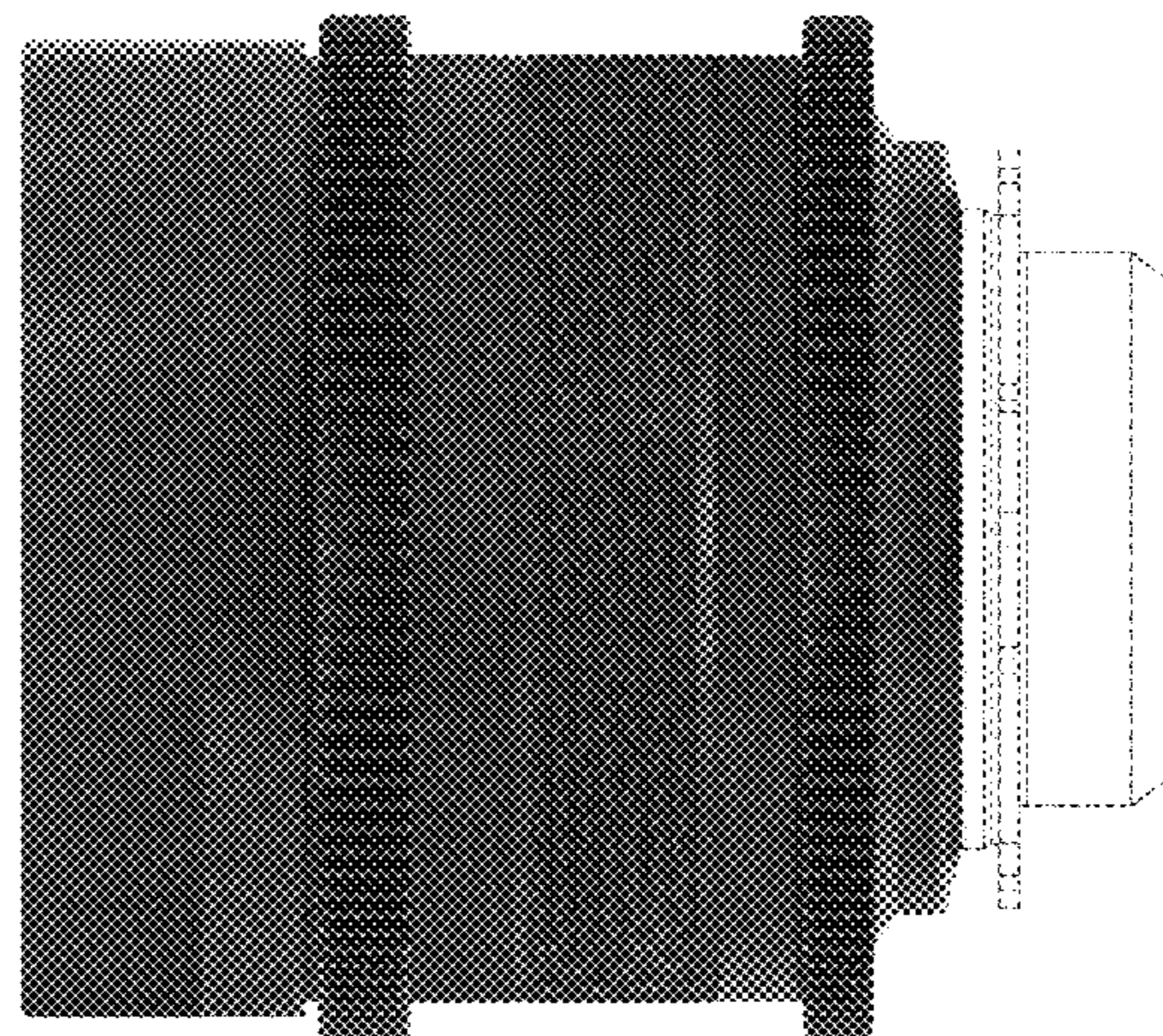
FIG. 5 is a right side view thereof;

FIG. 6 is a top plan view thereof; and,

FIG. 7 is a bottom plan view thereof.

The broken lines depict portions of the interchangeable lens for camera in which the design is embodied and form no part of the claimed design.

**1 Claim, 7 Drawing Sheets**



(56)

**References Cited**

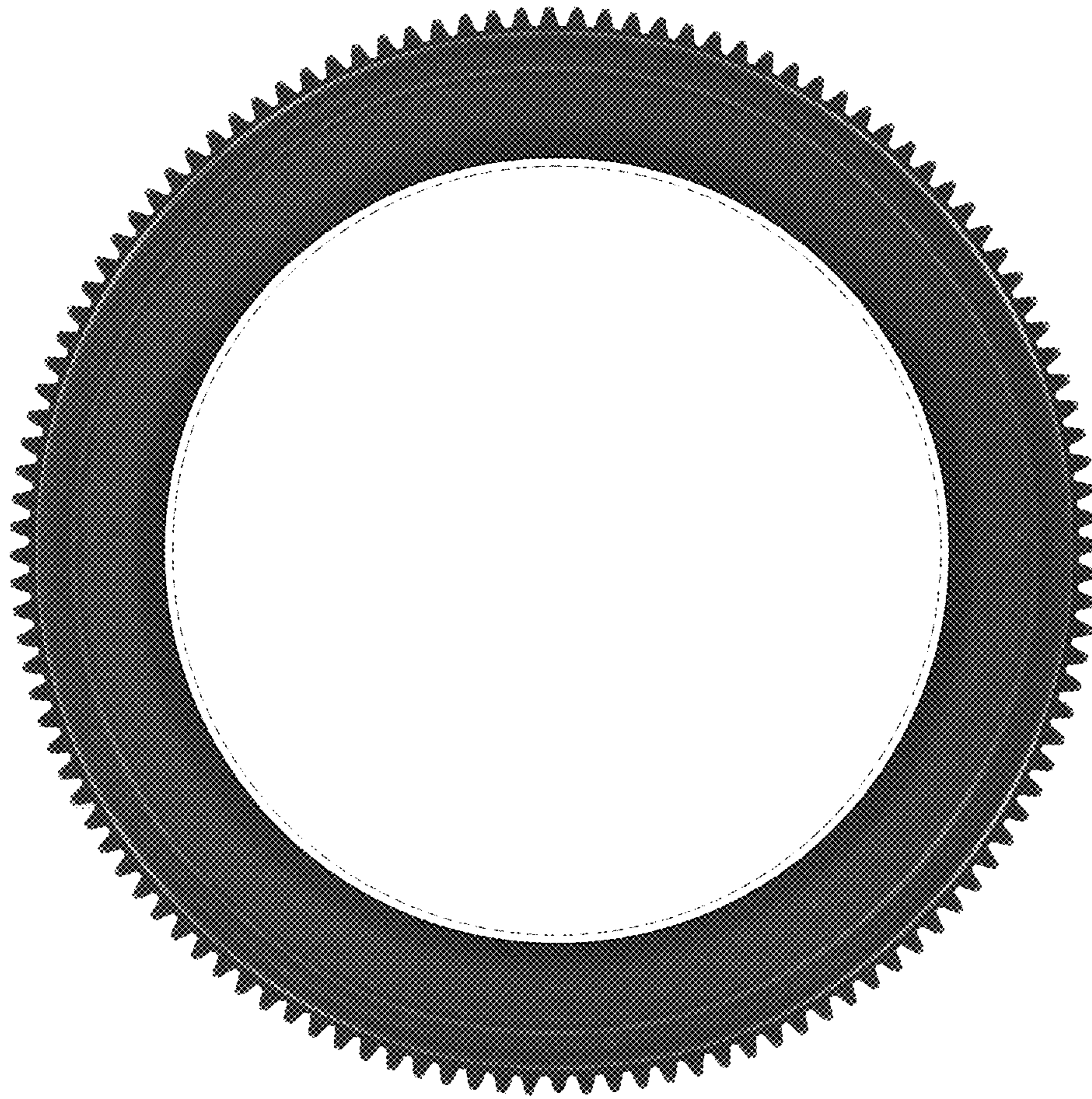
U.S. PATENT DOCUMENTS

D884,057 S \* 5/2020 Weber ..... D16/219  
D890,244 S \* 7/2020 Ikegame ..... D16/219

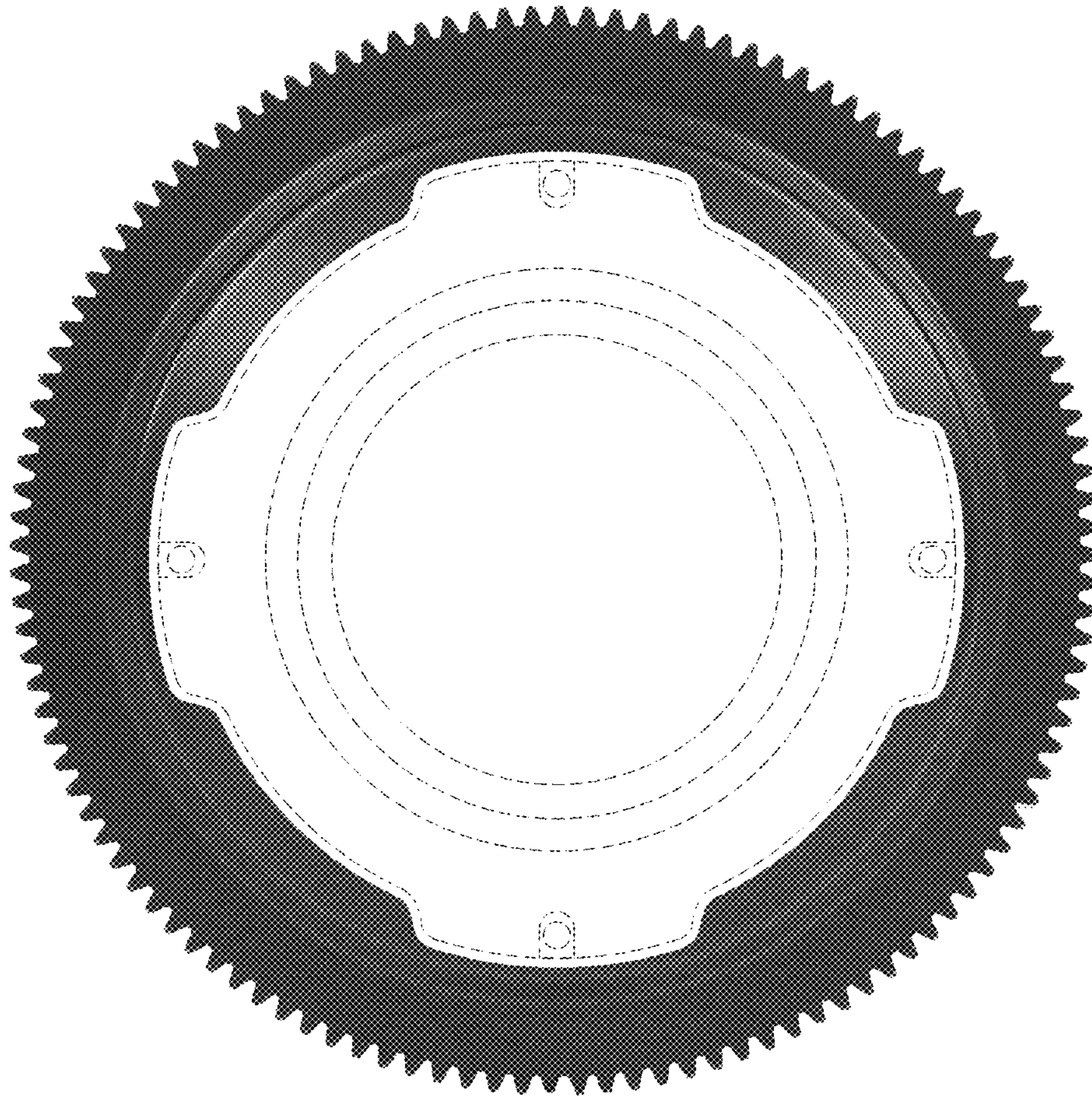
\* cited by examiner



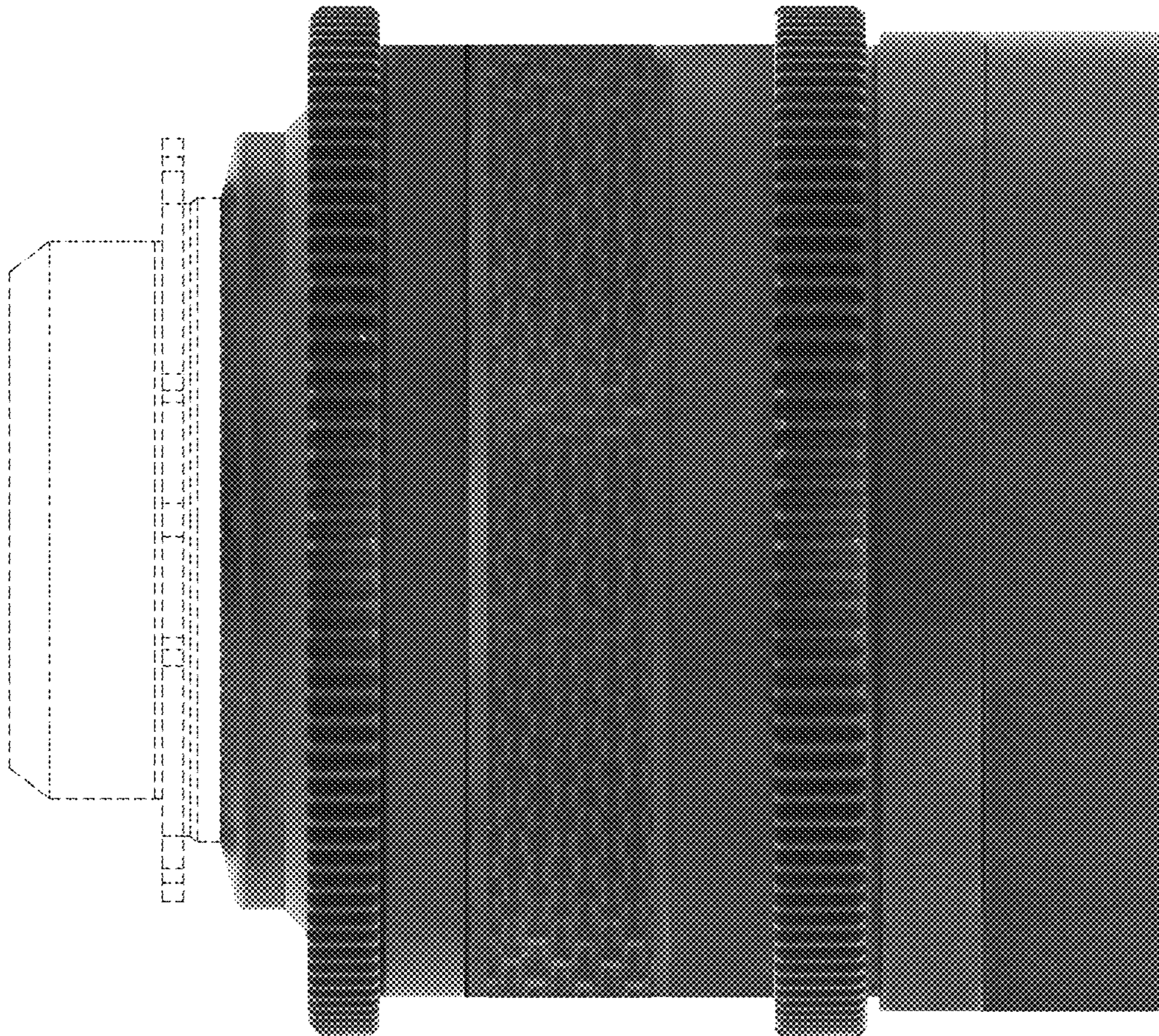
*FIG. 1*



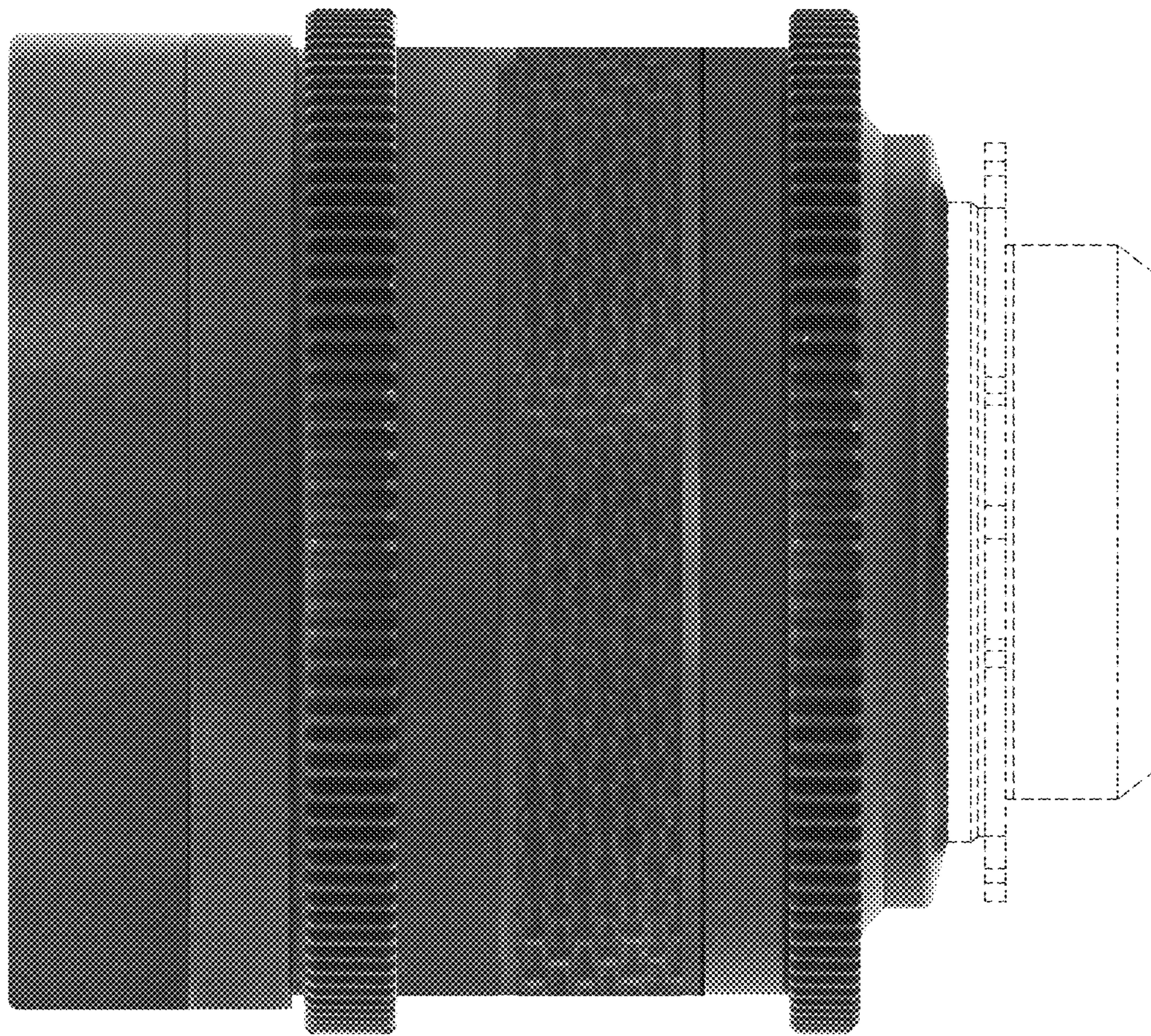
*FIG. 2*



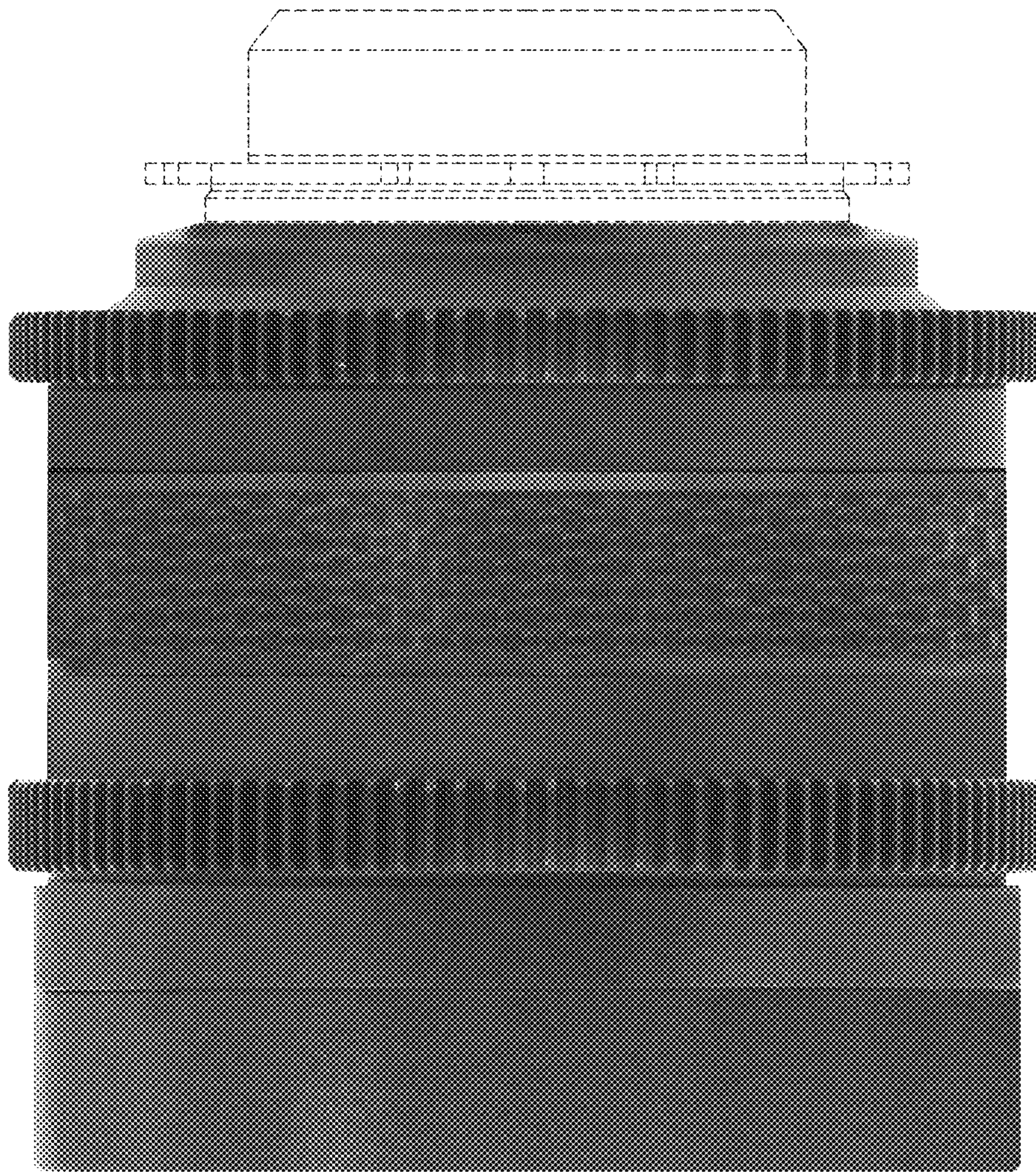
*FIG. 3*



*FIG. 4*

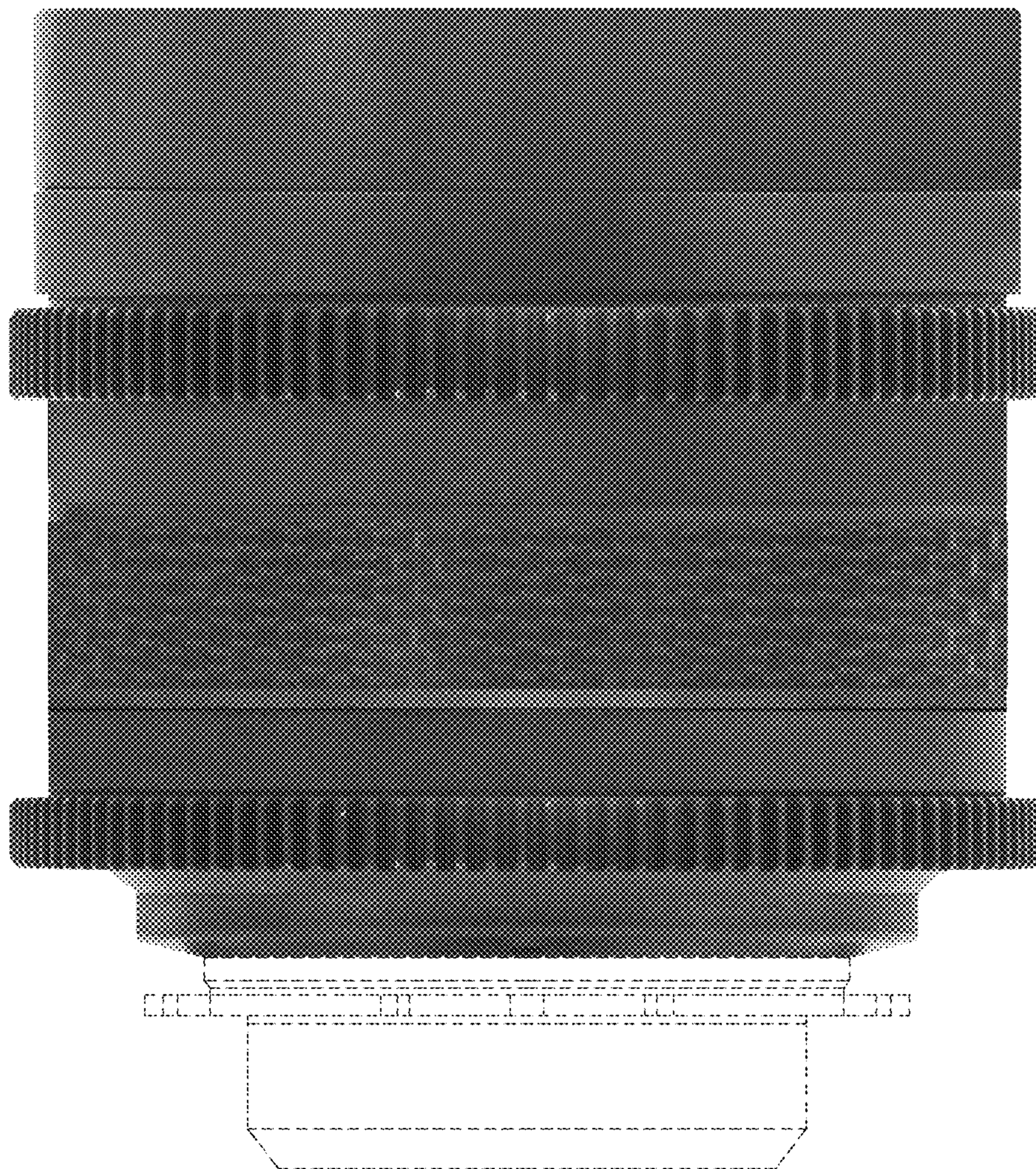


*FIG. 5*



*FIG. 6*





*FIG. 7*