



US00D932533S

(12) **United States Design Patent**
Sakai

(10) **Patent No.:** **US D932,533 S**

(45) **Date of Patent:** **** Oct. 5, 2021**

(54) **BINOCULARS**

(71) Applicant: **FUJIFILM Corporation**, Tokyo (JP)

(72) Inventor: **Hiroyuki Sakai**, Saitama (JP)

(73) Assignee: **FUJIFILM Corporation**, Tokyo (JP)

(**) Term: **15 Years**

(21) Appl. No.: **29/708,529**

(22) Filed: **Oct. 7, 2019**

(30) **Foreign Application Priority Data**

Apr. 12, 2019 (JP) 2019-008134

(51) **LOC (13) Cl.** **16-06**

(52) **U.S. Cl.**
USPC **D16/133**

(58) **Field of Classification Search**
USPC D16/130, 133, 136, 237
CPC G02B 23/00; G02B 23/18
See application file for complete search history.

(56) **References Cited**

U.S. PATENT DOCUMENTS

D360,215 S * 7/1995 Moro D16/133
D365,832 S * 1/1996 Miyahara D16/133
D376,164 S * 12/1996 Hasegawa D16/133

D376,167 S * 12/1996 Hayamizu D16/133
D399,859 S * 10/1998 Hasegawa D16/133
D430,586 S * 9/2000 Inaba D16/133
D457,541 S * 5/2002 Hayashi D16/133
D487,761 S * 3/2004 Hamamura D16/133
D508,703 S * 8/2005 Hayashi D16/133
D508,707 S * 8/2005 Hayashi D16/133
D520,042 S * 5/2006 Kimura D16/133

* cited by examiner

Primary Examiner — Holly E Thurman

(74) *Attorney, Agent, or Firm* — Studebaker & Brackett
PC

(57) **CLAIM**

The ornamental design for binoculars, as shown and described.

DESCRIPTION

FIG. 1 is a perspective view 1 of the binoculars, showing the new design;

FIG. 2 is a perspective view 2 thereof;

FIG. 3 is a front view thereof;

FIG. 4 is a rear view thereof;

FIG. 5 is a right view thereof;

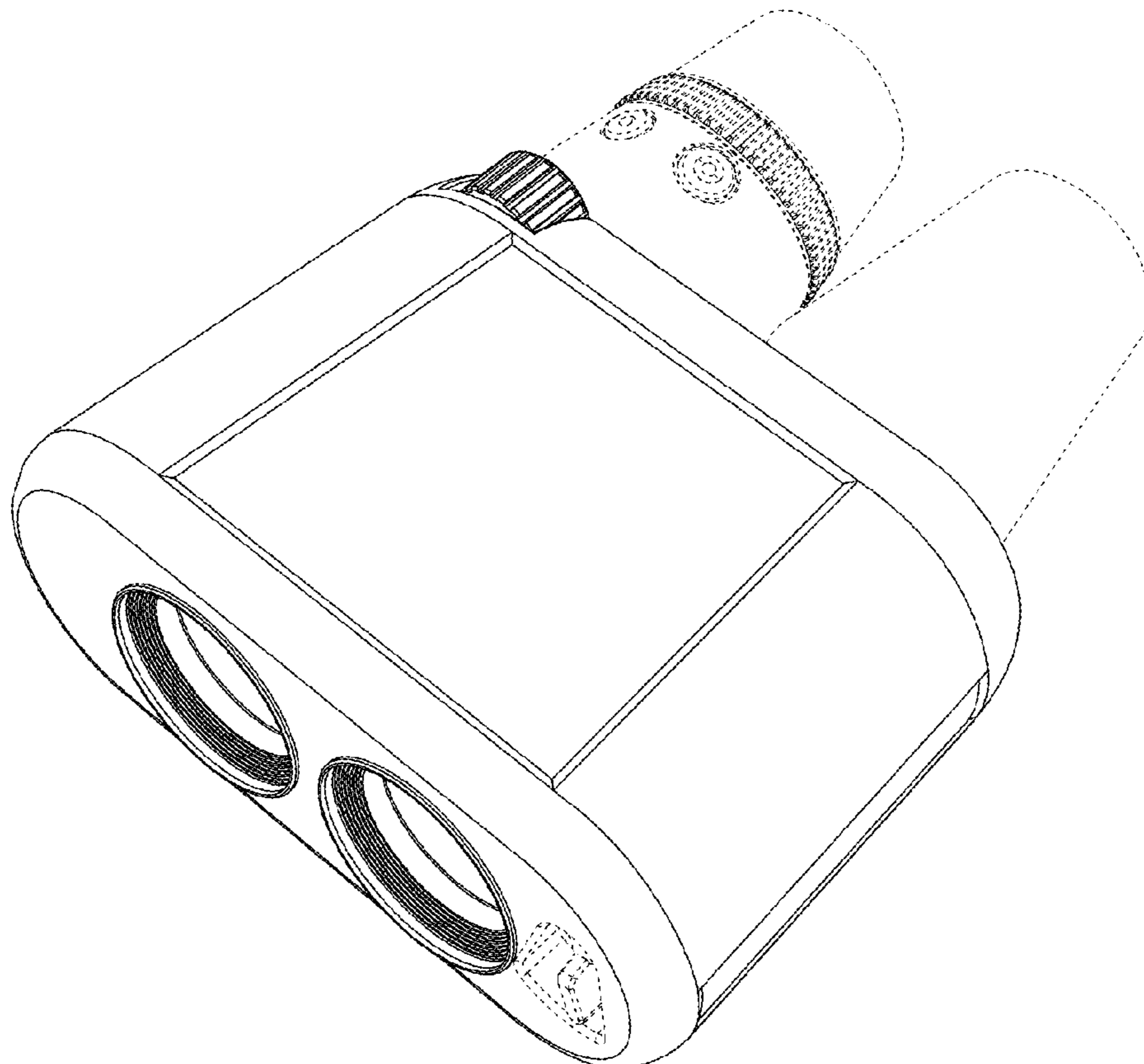
FIG. 6 is a left view thereof;

FIG. 7 is a top view thereof; and,

FIG. 8 is a bottom view thereof.

The broken lines showing the binoculars illustrate the environment of the claimed design and form no part thereof.

1 Claim, 8 Drawing Sheets



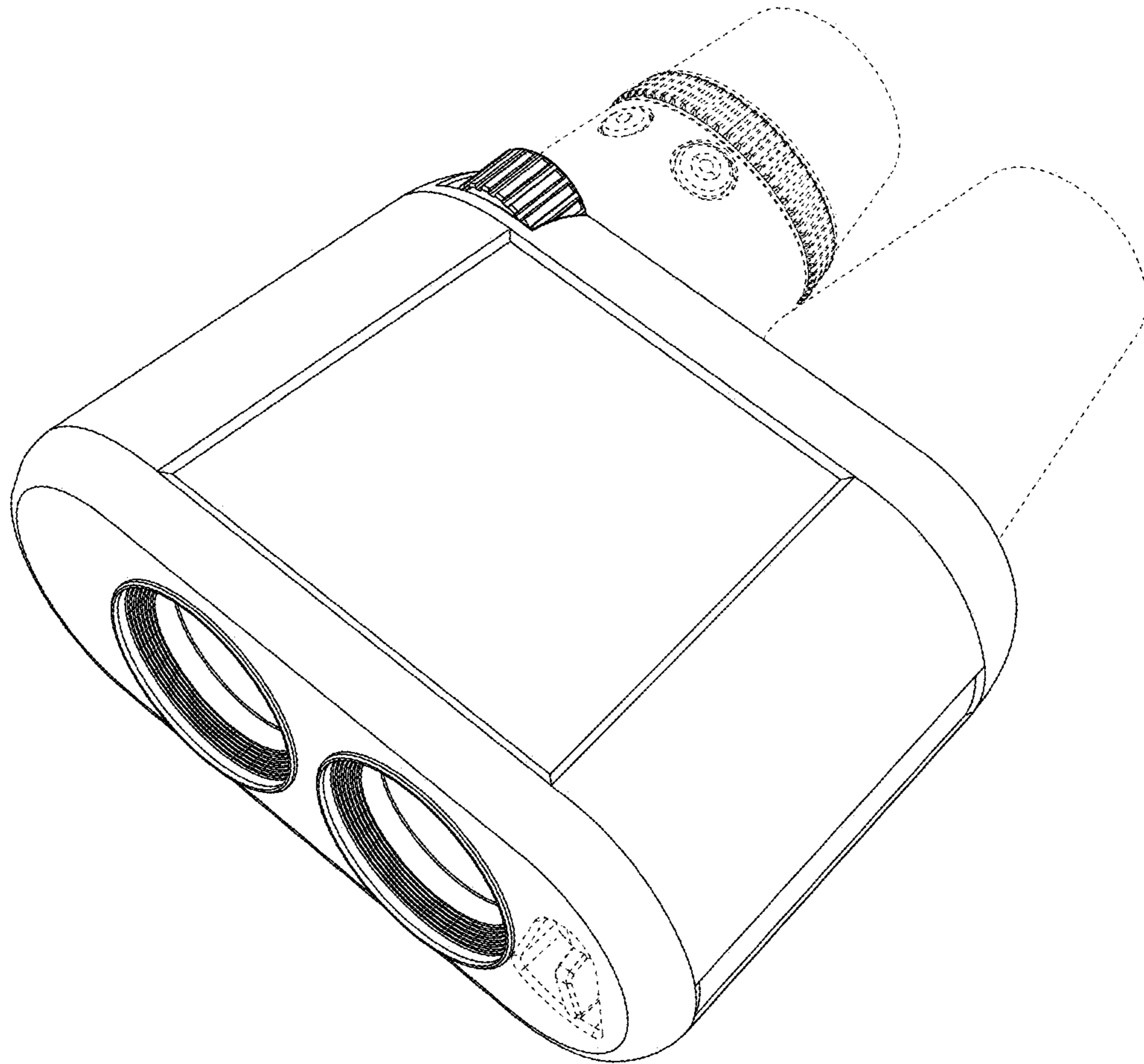


FIG. 1

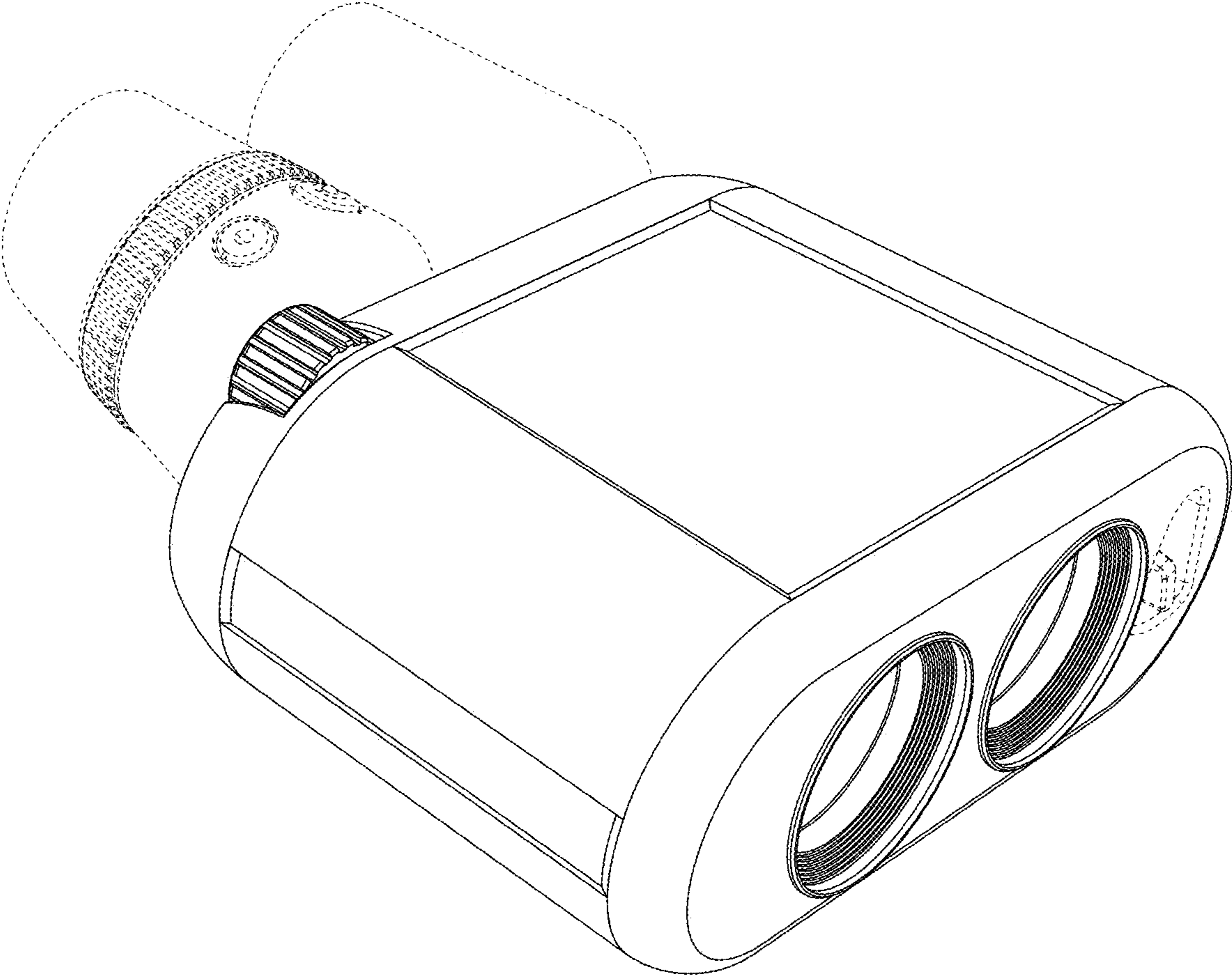


FIG. 2

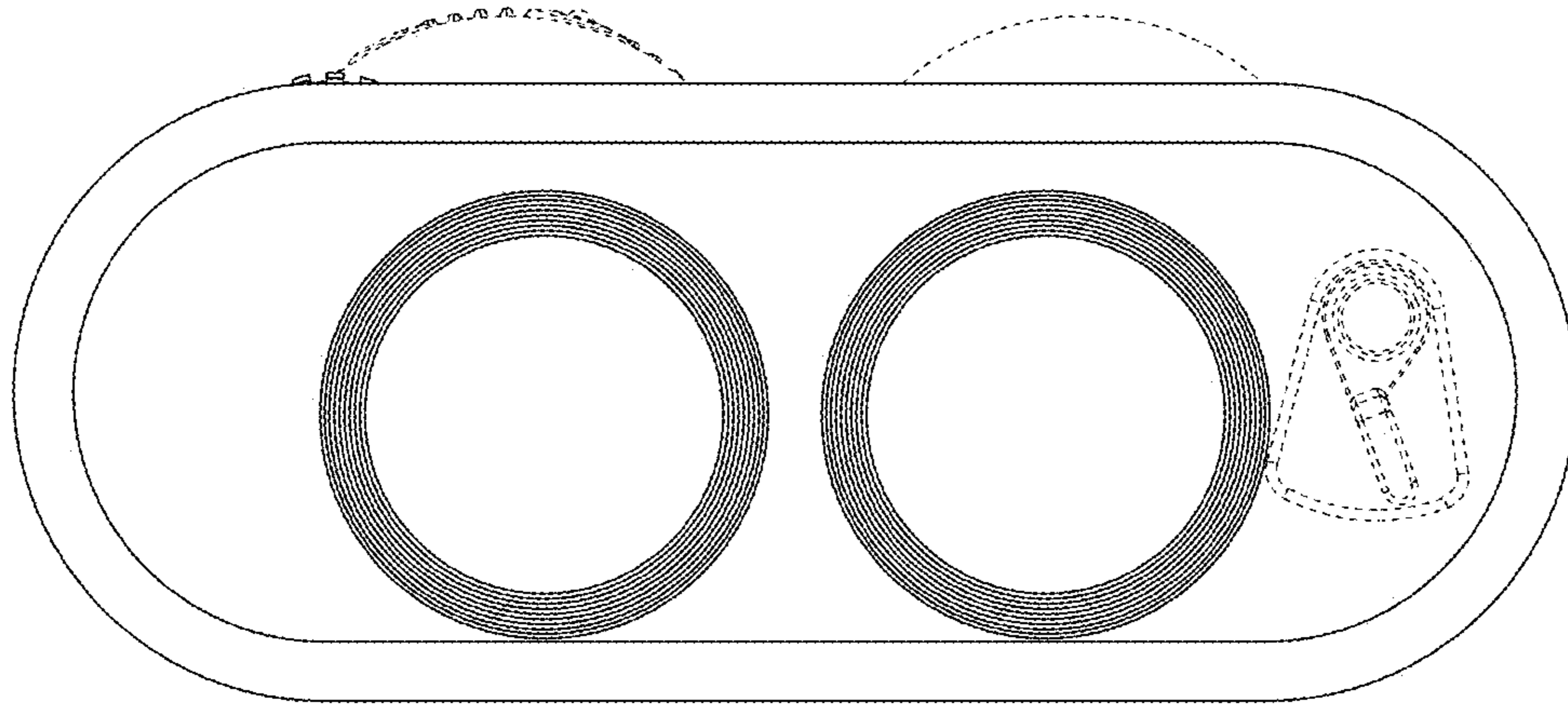


FIG. 3

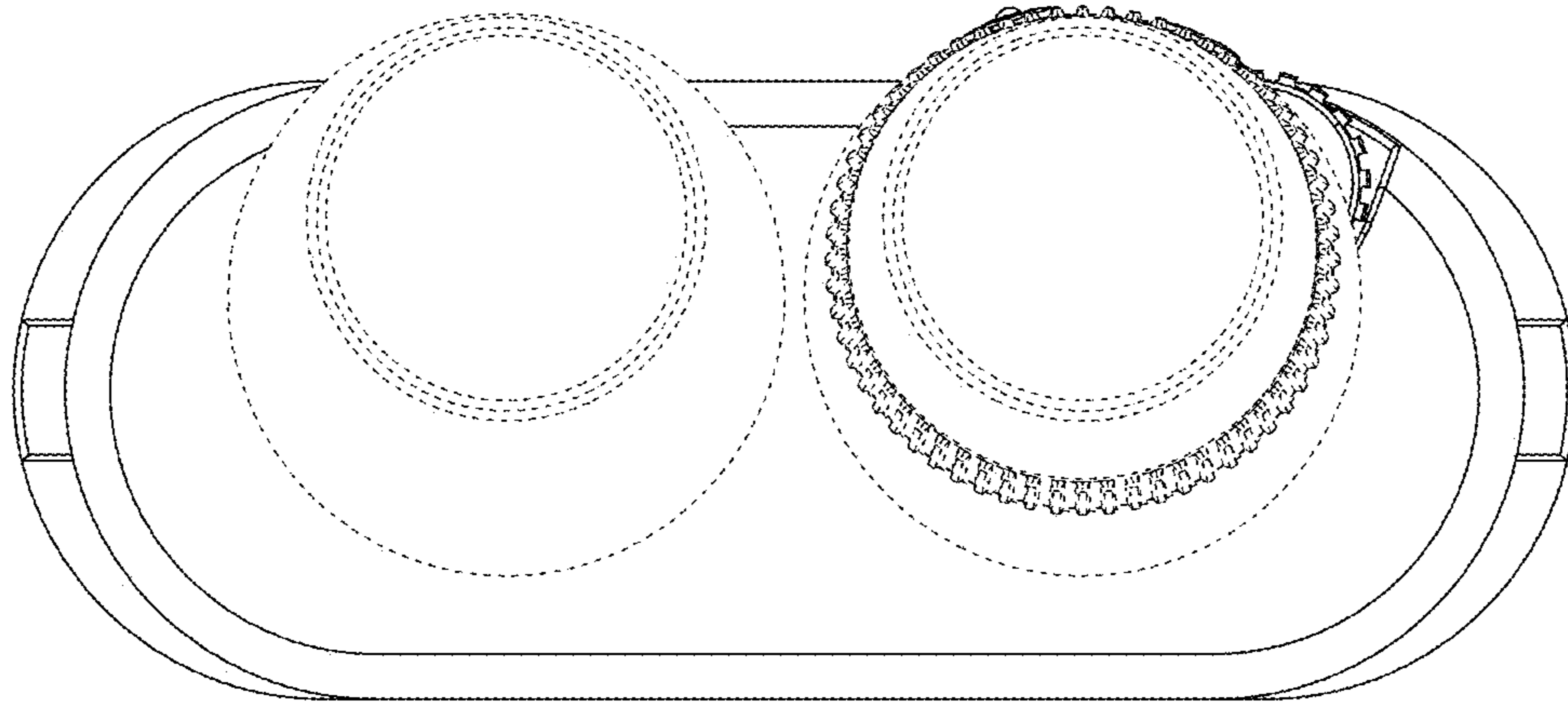


FIG. 4

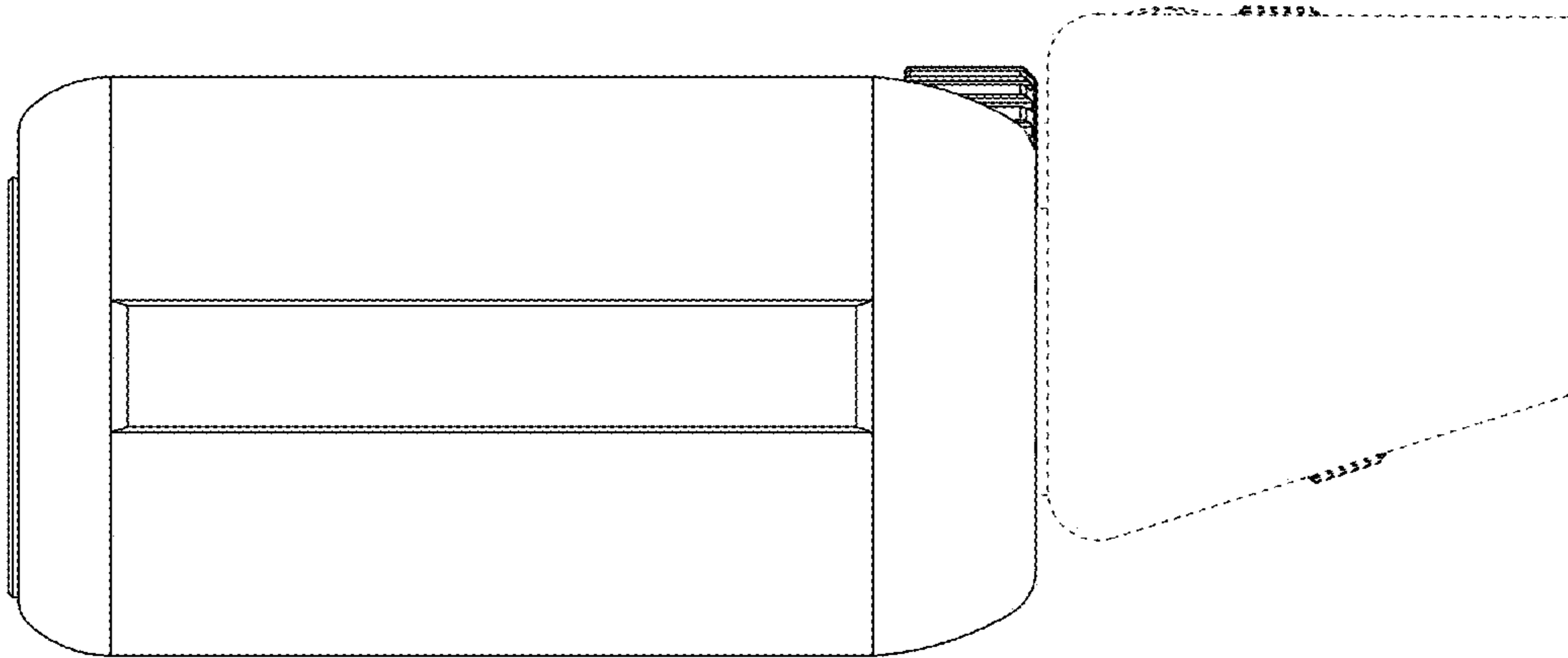


FIG. 5

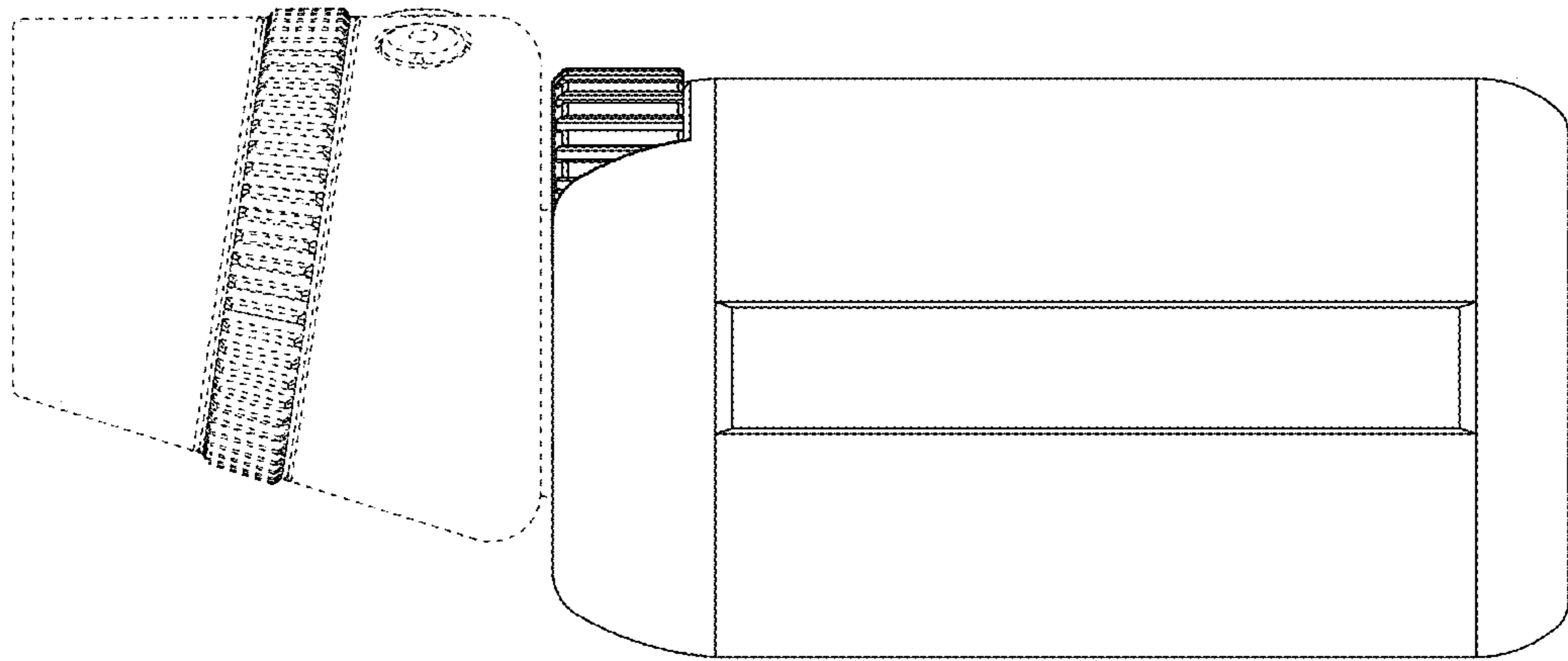


FIG. 6

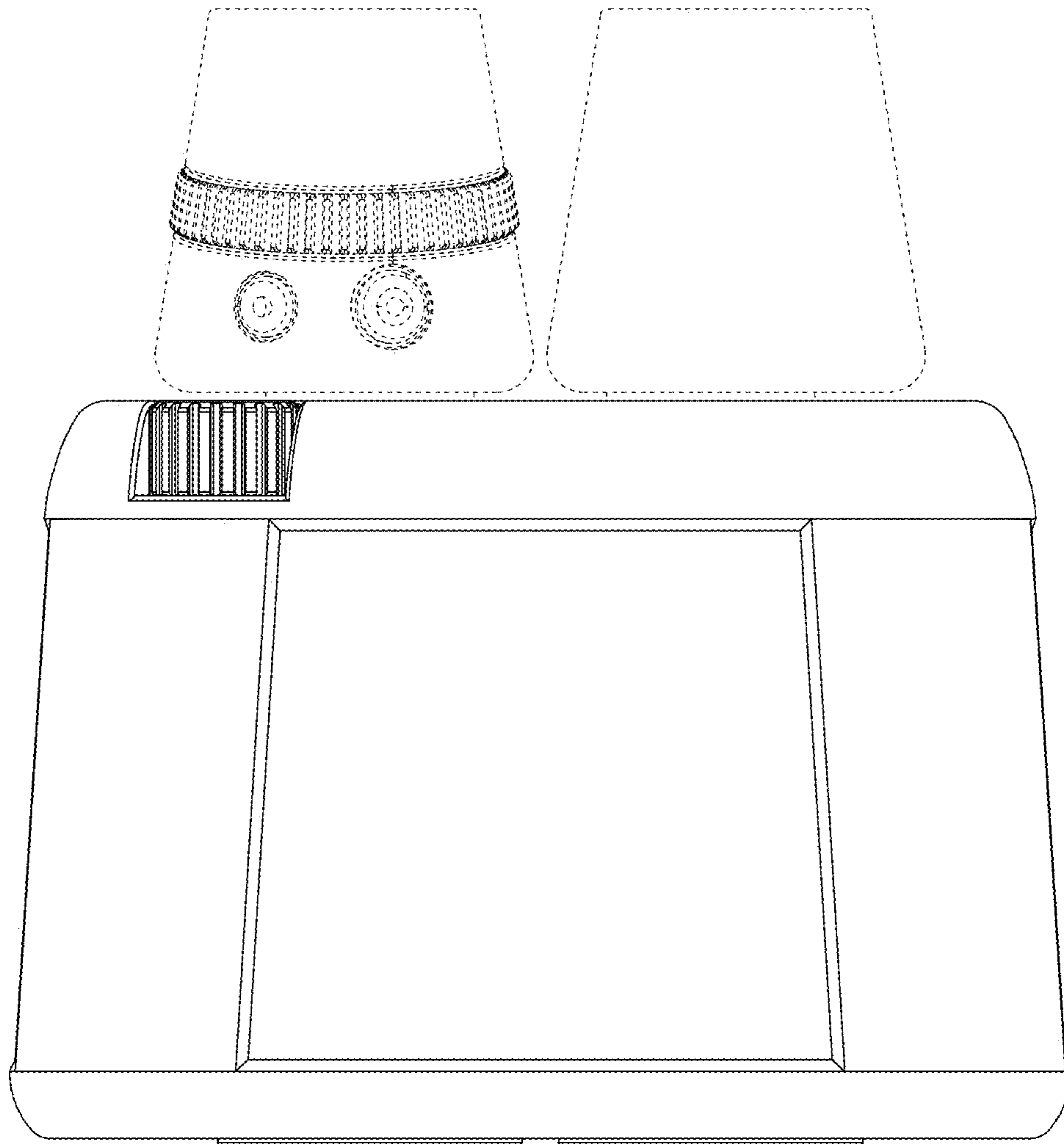


FIG. 7

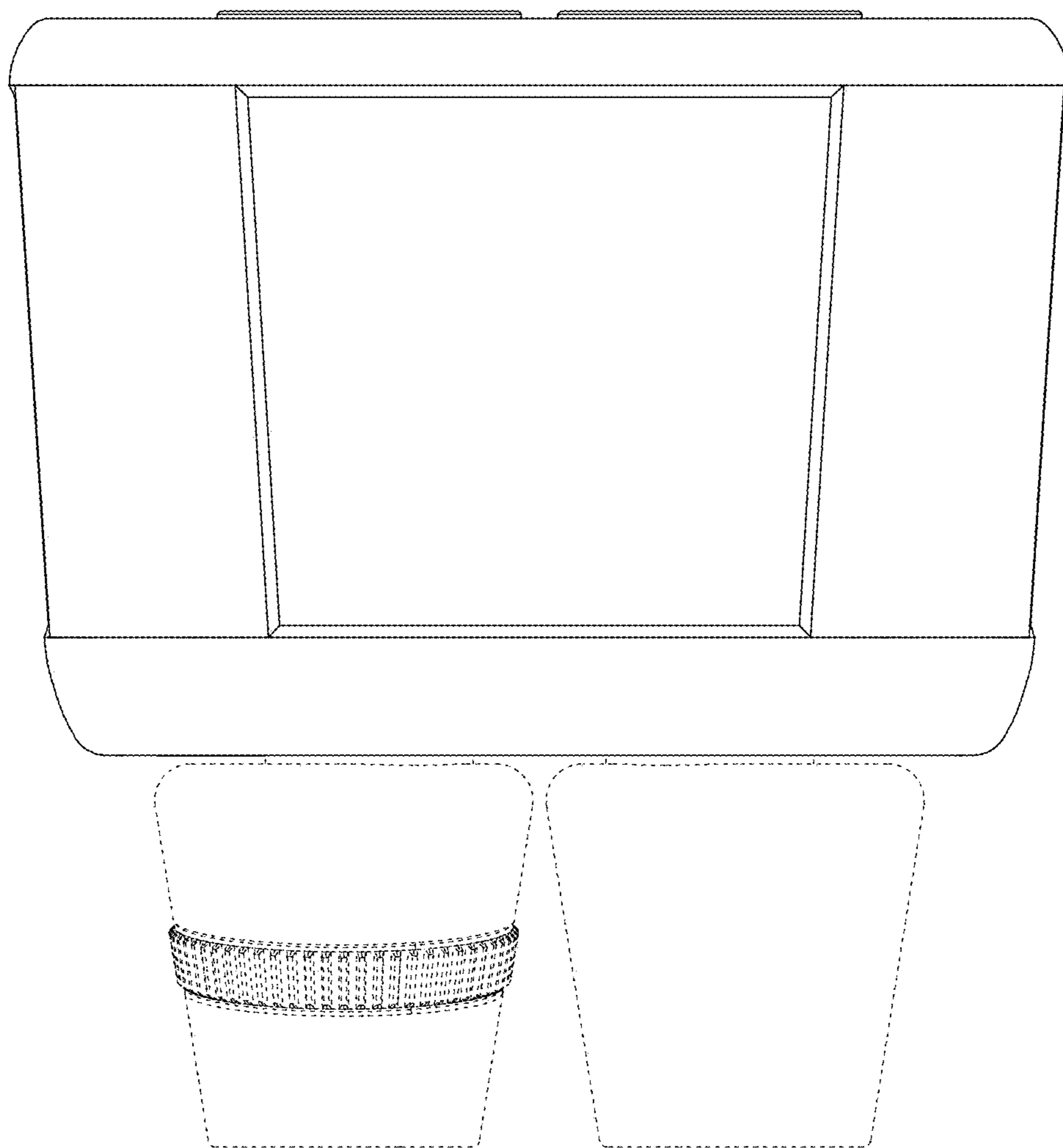


FIG. 8