



US00D932532S

(12) **United States Design Patent** (10) **Patent No.:** **US D932,532 S**
Huang (45) **Date of Patent:** **** Oct. 5, 2021**

(54) **WATCH WINDER**
(71) Applicant: **Yuemi Huang**, Shenzhen (CN)
(72) Inventor: **Yuemi Huang**, Shenzhen (CN)
(**) Term: **15 Years**
(21) Appl. No.: **29/797,804**
(22) Filed: **Jul. 2, 2021**

Related U.S. Application Data

(62) Division of application No. 29/731,729, filed on Apr. 17, 2020.

Foreign Application Priority Data

Jan. 4, 2020 (CN) 202030004180.7
Mar. 2, 2020 (EM) 007724729

(51) **LOC (13) Cl.** **15-99**
(52) **U.S. Cl.**
USPC **D15/199**

(58) **Field of Classification Search**
USPC D3/273-294, 298; D9/414, 418, 420,
D9/421, 423, 431-432; D15/199
CPC ... G04B 5/00; G04B 5/04; G04D 7/00; G04D
7/009
See application file for complete search history.

References Cited

U.S. PATENT DOCUMENTS

D507,709 S * 7/2005 Au D9/418
D510,210 S * 10/2005 Au D3/294
D514,848 S * 2/2006 Au D3/294
D520,540 S * 5/2006 Siu D15/199

7,530,733 B2 * 5/2009 Louie G04D 7/009
368/206
7,575,367 B2 * 8/2009 Wolf, V G04B 3/006
368/206
7,927,009 B2 * 4/2011 Huang G04D 7/009
368/206
8,714,813 B2 * 5/2014 Liao H02J 50/10
368/206
D707,118 S * 6/2014 Au D9/420
D719,991 S * 12/2014 Ko D15/199
D781,944 S * 3/2017 Lee D15/199
D886,879 S * 6/2020 Liu D15/199
D886,880 S * 6/2020 Liu D15/199
D905,144 S * 12/2020 Liang D15/199
D905,773 S * 12/2020 Liang D15/199
2005/0254352 A1 * 11/2005 Wolf, V G04D 7/009
368/206

* cited by examiner

Primary Examiner — Patricia A Palasik

(74) *Attorney, Agent, or Firm* — Westbridge IP LLC

(57) **CLAIM**

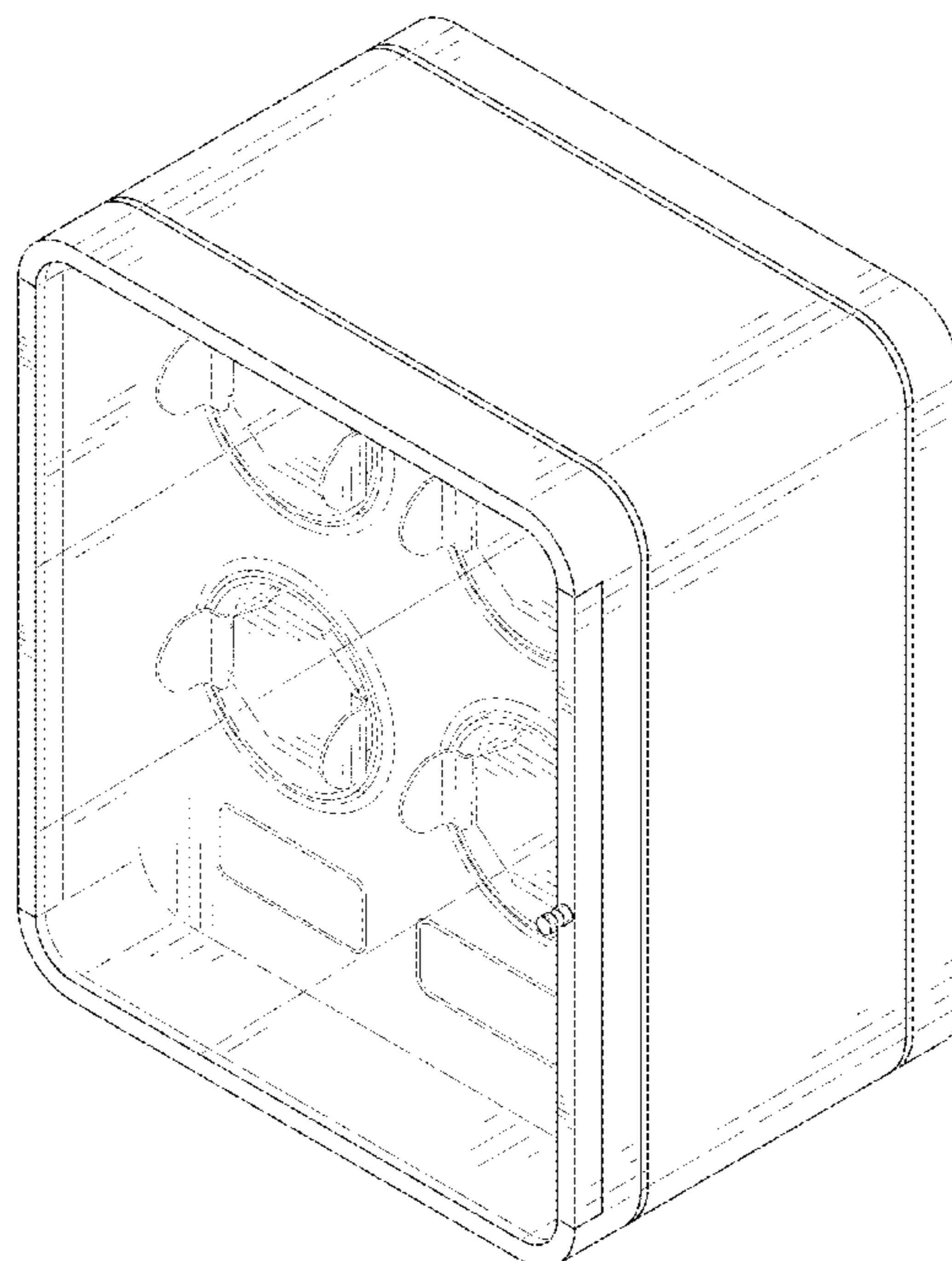
The ornamental design for a watch winder, as shown and described.

DESCRIPTION

FIG. 1 is a top, front and right side perspective view of a watch winder showing my new design;
FIG. 2 is a front elevation view thereof;
FIG. 3 is a rear elevation view thereof;
FIG. 4 is a left side elevation view thereof;
FIG. 5 is a right side elevation view thereof;
FIG. 6 is a top plan view thereof; and,
FIG. 7 is a bottom plan view thereof.

The evenly broken lines in the drawings illustrate portions of the watch winder that form no part of the claim.

1 Claim, 7 Drawing Sheets



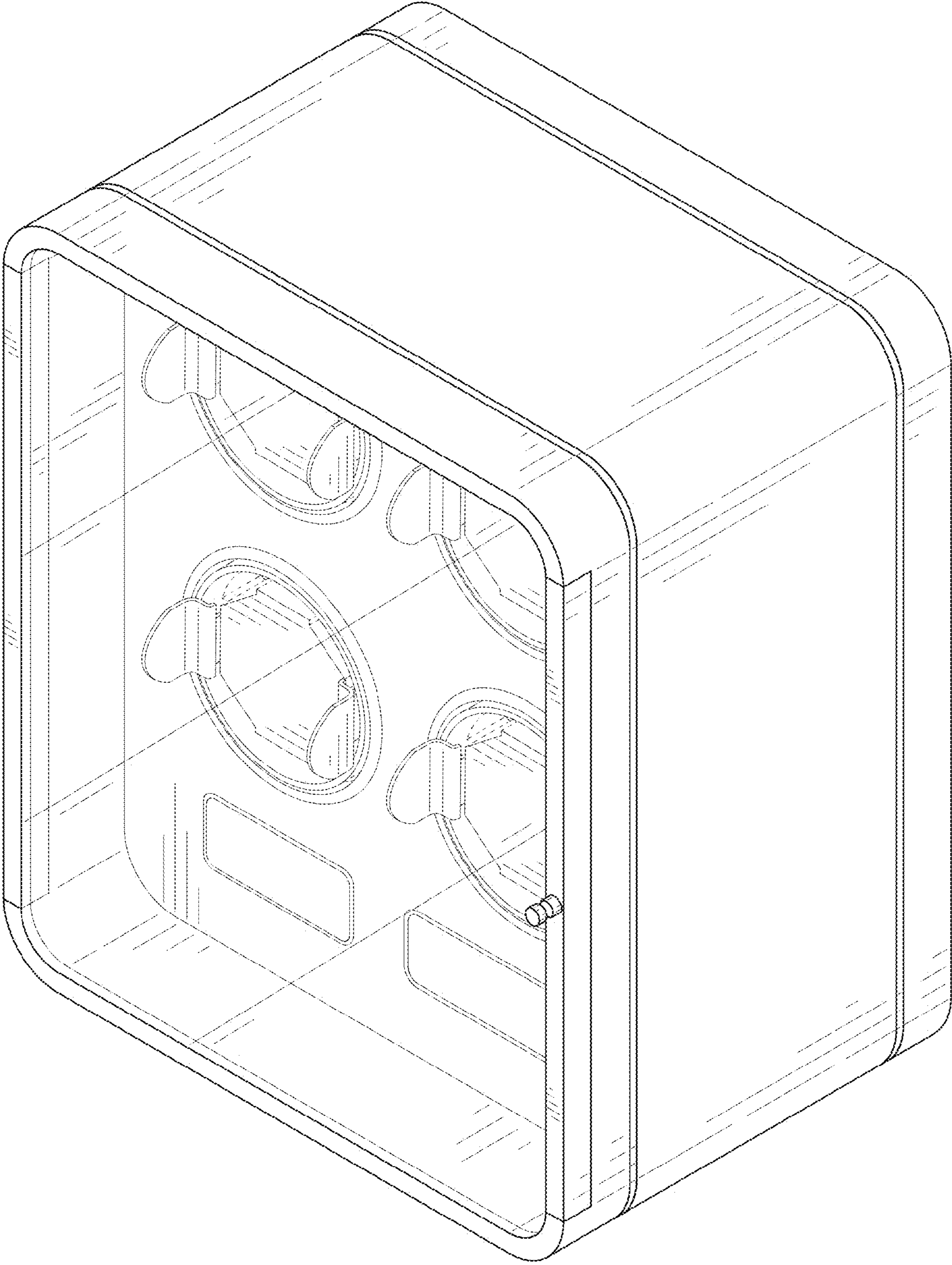


FIG. 1

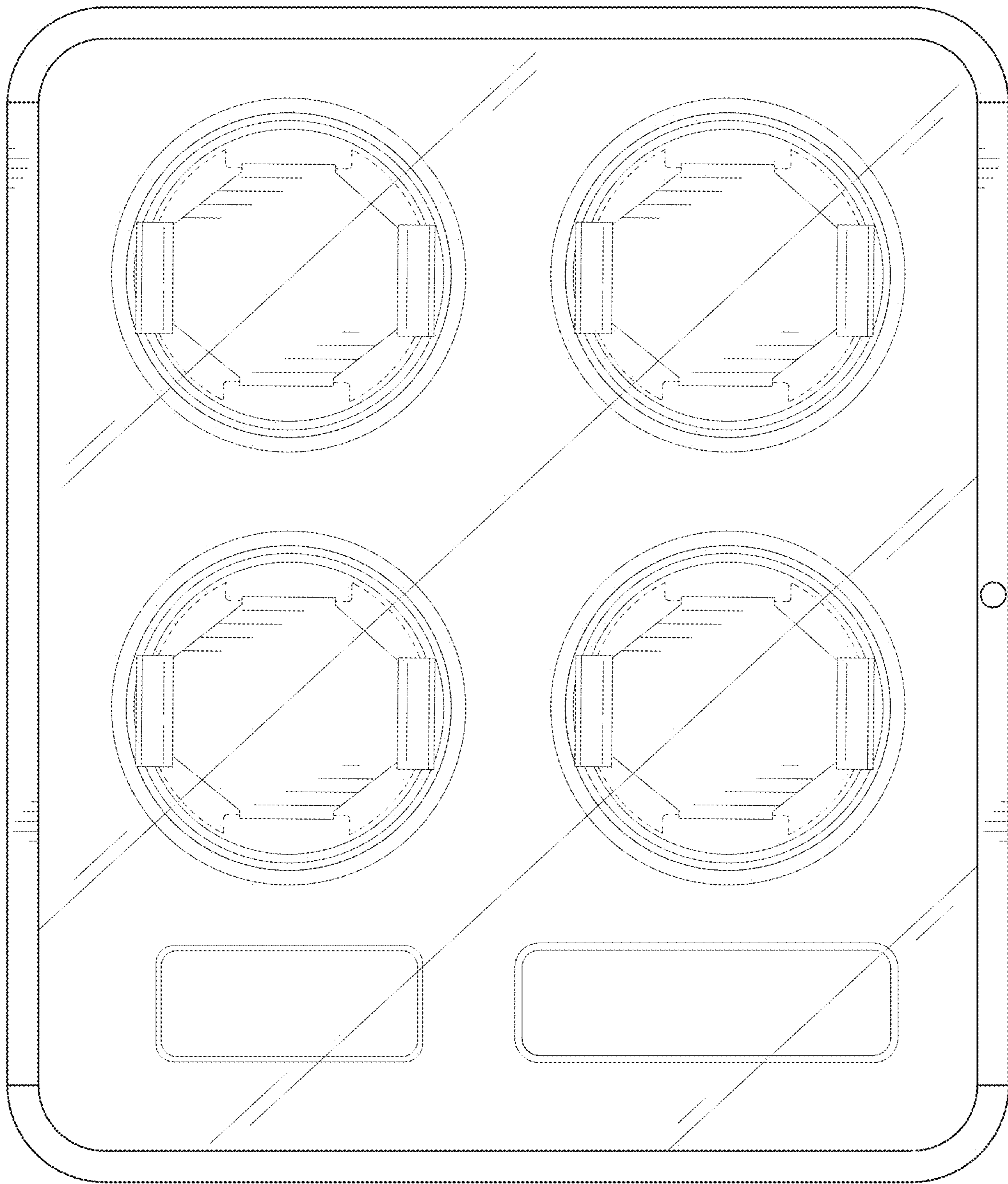


FIG. 2

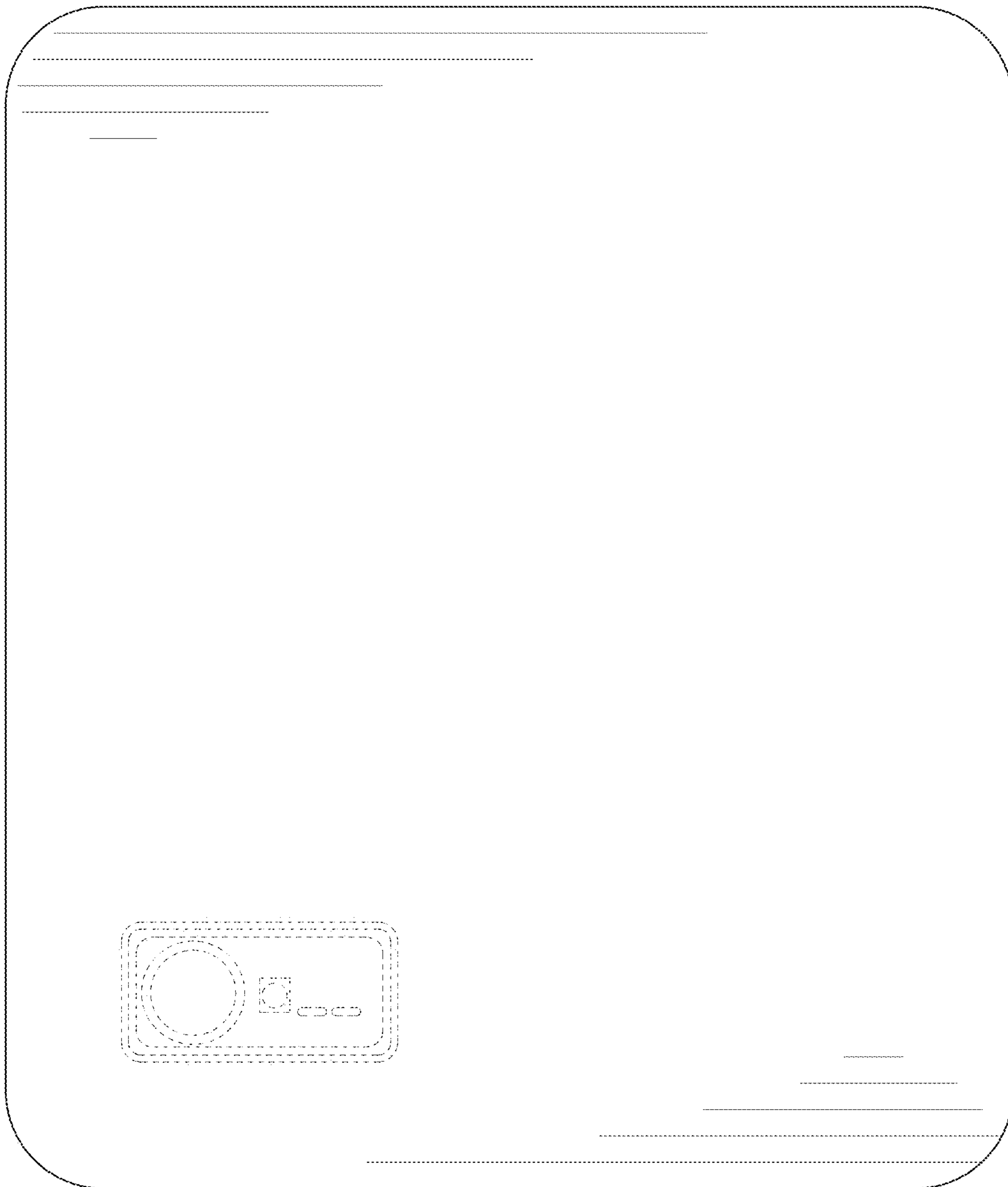


FIG. 3

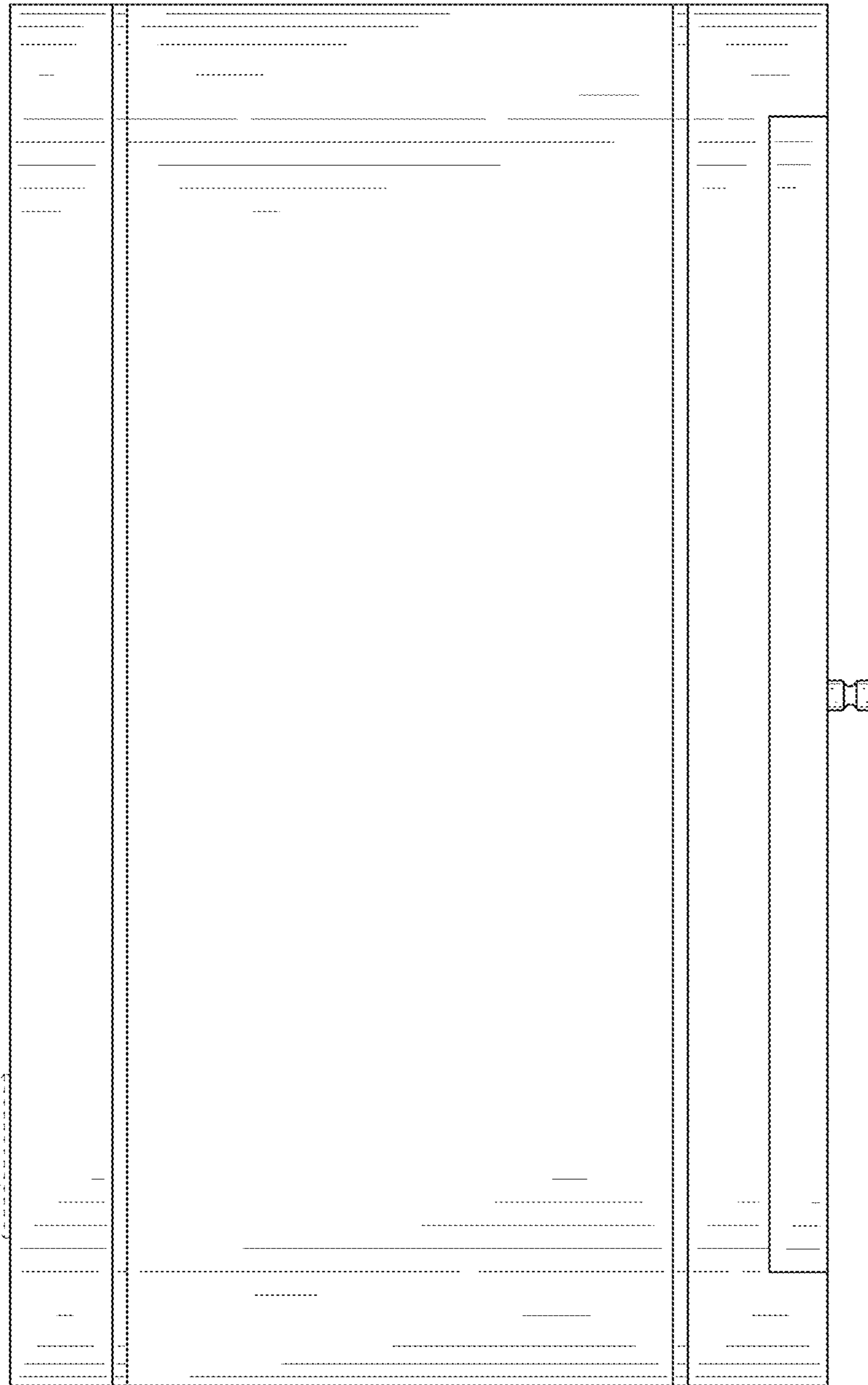


FIG. 4

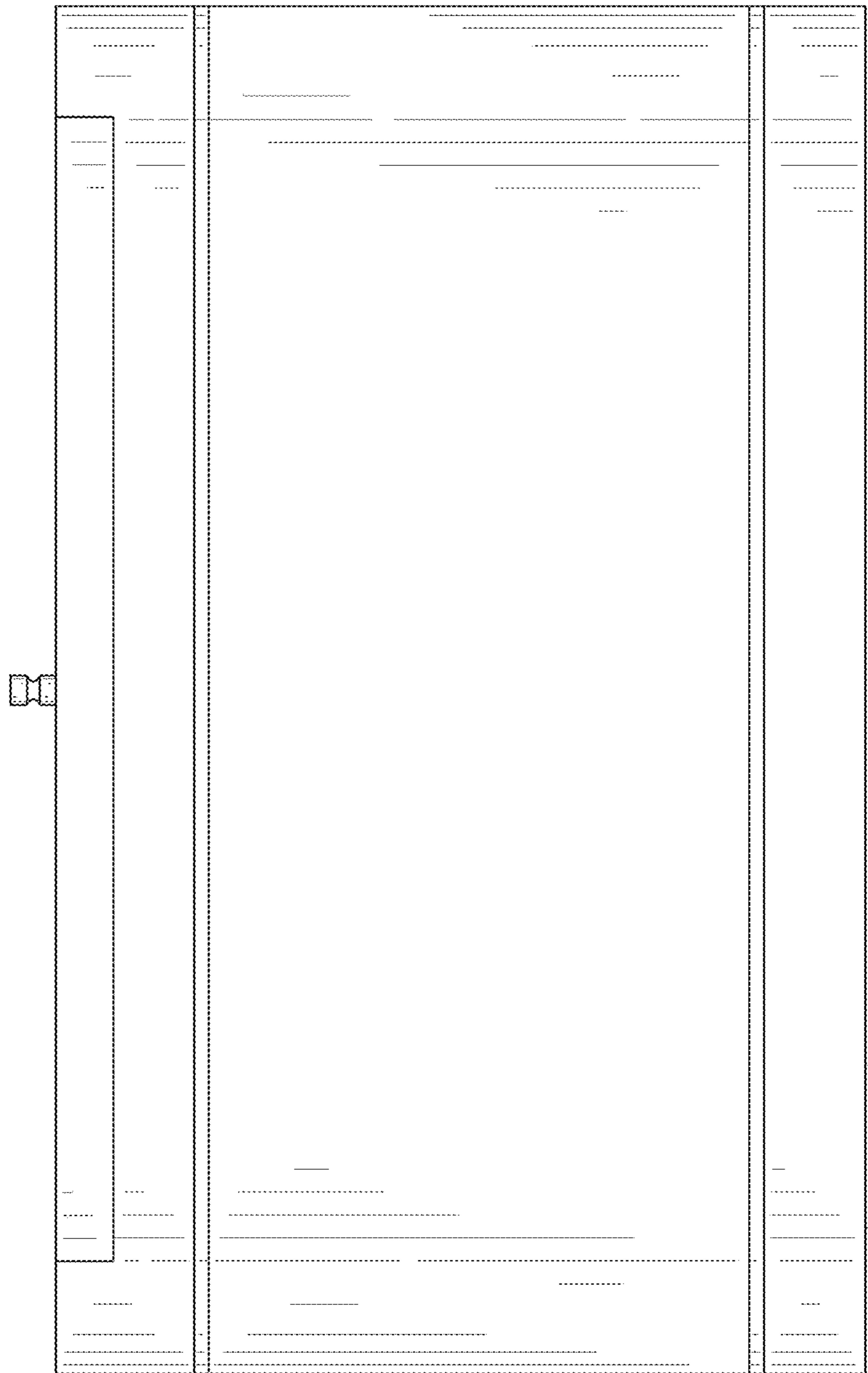


FIG. 5

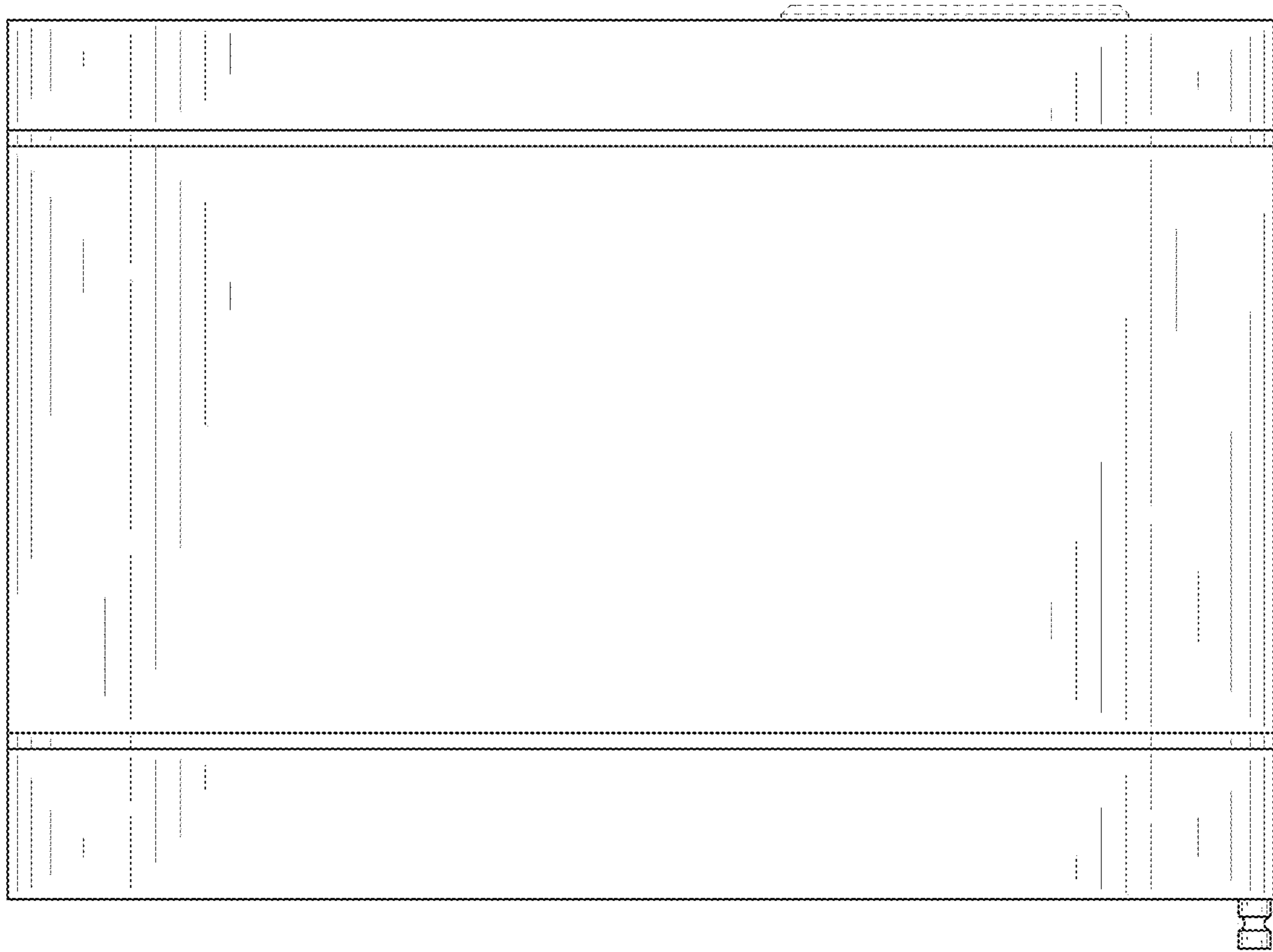


FIG. 6

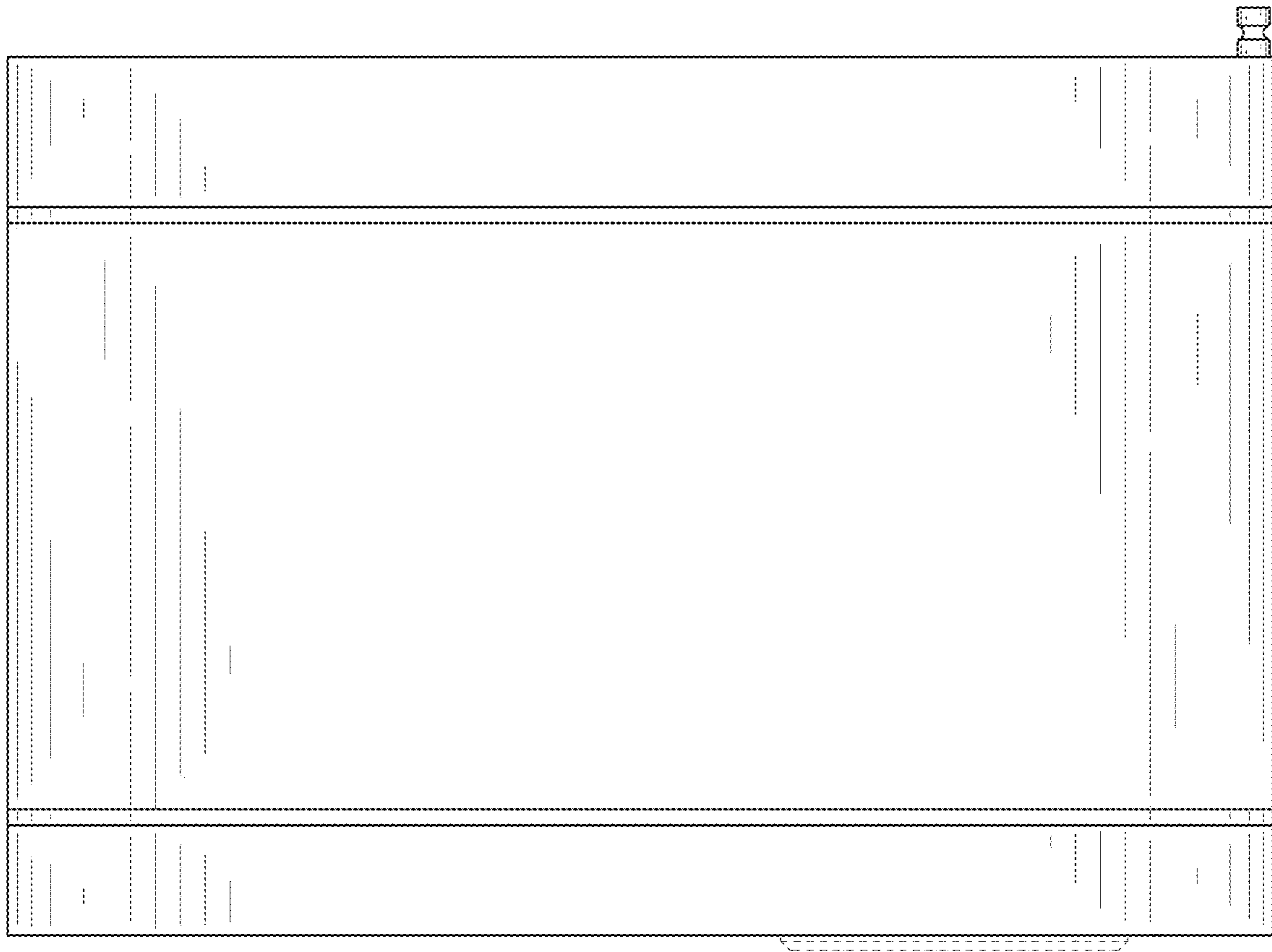


FIG. 7