



US00D932530S

(12) **United States Design Patent** (10) **Patent No.:** **US D932,530 S**  
**LaPlante et al.** (45) **Date of Patent:** **\*\* Oct. 5, 2021**

(54) **MECHANICAL ARM**  
(71) Applicant: **UBTECH ROBOTICS CORP LTD,**  
Shenzhen (CN)  
(72) Inventors: **Brandon Jon LaPlante,** Pasadena, CA  
(US); **Liang Huang,** Shenzhen (CN);  
**Chengkun Zhang,** Pasadena, CA (US);  
**Jianbo Li,** Shenzhen (CN); **Jingchen**  
**Li,** Shenzhen (CN); **Francisco Jose**  
**Hernandez,** Pasadena, CA (US);  
**Shixun Chen,** Pasadena, CA (US);  
**Hongyu Ding,** Shenzhen (CN);  
**Wenhua Fan,** Shenzhen (CN); **Xinshui**  
**Huang,** Shenzhen (CN); **Huan Tan,**  
Pasadena, CA (US); **Youjun Xiong,**  
Shenzhen (CN)

D287,368 S \* 12/1986 Shibayama ..... D15/122  
D293,449 S \* 12/1987 Kaufmann ..... D15/122  
D296,790 S \* 7/1988 Tsuburaya ..... D15/122  
D300,935 S \* 5/1989 Maddock ..... D15/122  
D307,282 S \* 4/1990 Suica ..... D15/199  
D334,581 S \* 4/1993 Yoshikawa ..... D15/199  
D344,279 S \* 2/1994 Koyama ..... D15/199  
D344,280 S \* 2/1994 Koyama ..... D15/199  
D410,477 S \* 6/1999 Nihei ..... D15/199  
D440,241 S \* 4/2001 Kawahara ..... D15/199  
D443,287 S \* 6/2001 Kawahara ..... D15/199  
D444,488 S \* 7/2001 Selic ..... D15/199  
D449,057 S \* 10/2001 Selic ..... D15/199  
D615,574 S \* 5/2010 Liu ..... D15/199  
D616,477 S \* 5/2010 Long ..... D15/199  
D616,909 S \* 6/2010 Long ..... D15/199  
D624,104 S \* 9/2010 Miyake ..... D15/199  
7,810,765 B2 \* 10/2010 Burlot ..... H02G 3/0481  
248/75

(Continued)

*Primary Examiner* — Patricia A Palasik

(73) Assignee: **UBTECH ROBOTICS CORP LTD,**  
Shenzhen (CN)

(57) **CLAIM**

(\*\*) Term: **15 Years**

The ornamental design for a mechanical arm, as shown and described.

(21) Appl. No.: **29/738,499**

**DESCRIPTION**

(22) Filed: **Jun. 18, 2020**

(51) **LOC (13) Cl.** ..... **15-99**

(52) **U.S. Cl.**  
USPC ..... **D15/199**

(58) **Field of Classification Search**  
USPC ..... 15/122, 199; 21/578-583; 32/21; 34/34  
CPC .... B25J 9/046; B25J 9/042; B25J 9/06; H01L  
21/67766  
See application file for complete search history.

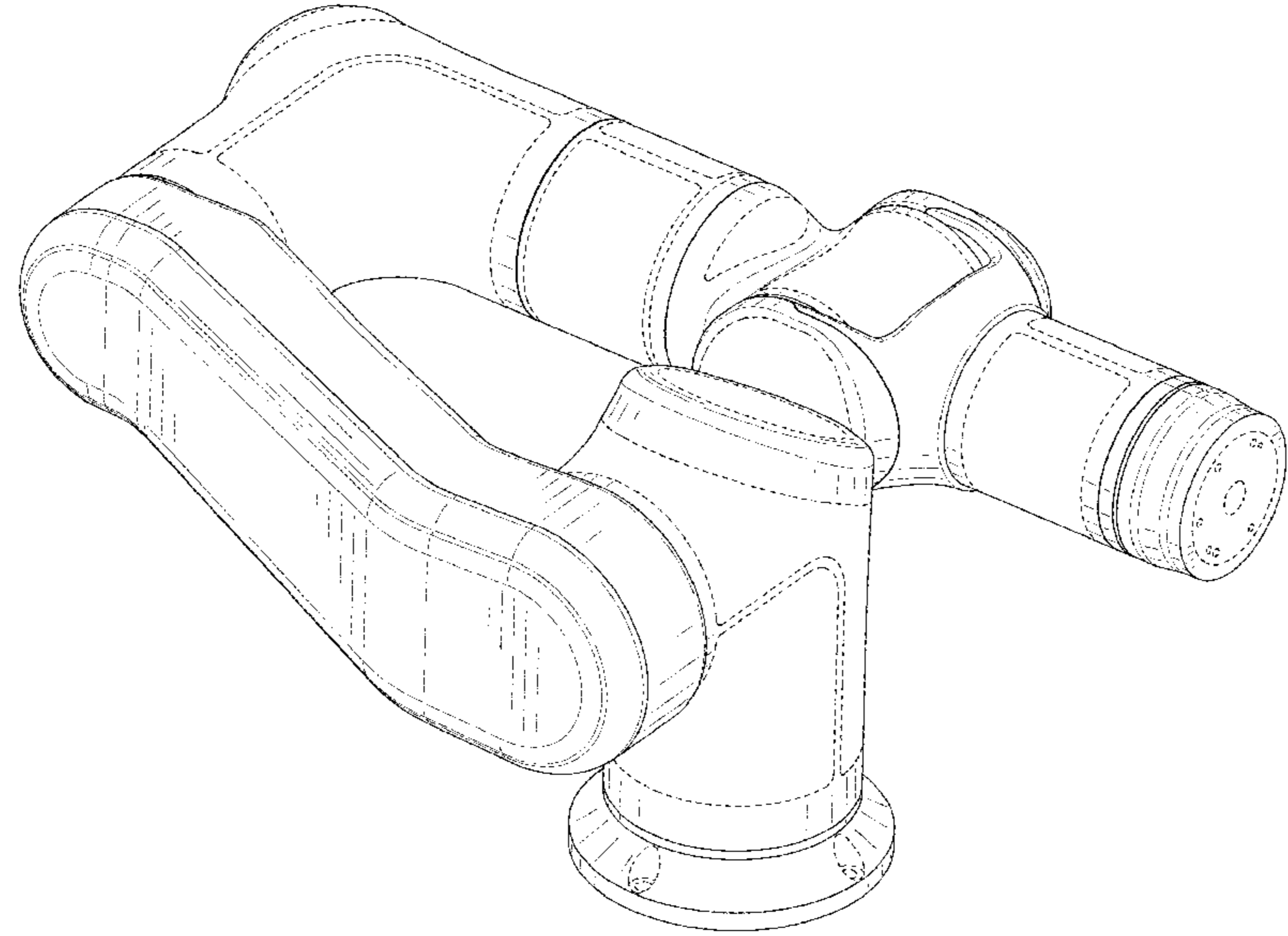
FIG. 1 is a first perspective view of a mechanical arm showing the claimed design in accordance with the present disclosure;  
FIG. 2 is a second perspective view thereof;  
FIG. 3 is a third perspective view thereof;  
FIG. 4 is a front elevational view thereof;  
FIG. 5 is a rear elevational view thereof;  
FIG. 6 is a left side elevational view thereof;  
FIG. 7 is a right side elevational view thereof;  
FIG. 8 is a top plan view thereof; and,  
FIG. 9 is a bottom plan view thereof.  
The broken lines in the Figures are for the purpose of illustrating portions of the article that: form no part of the claimed design.

(56) **References Cited**

U.S. PATENT DOCUMENTS

D267,883 S \* 2/1983 Susnjara ..... D15/122  
D269,681 S \* 7/1983 Morser ..... D15/122  
D279,572 S \* 7/1985 Yasuoka ..... D15/122

**1 Claim, 9 Drawing Sheets**



(56)

**References Cited**

## U.S. PATENT DOCUMENTS

D629,030	S	*	12/2010	Long	.....	D15/199
D636,803	S	*	4/2011	Nakagiri	.....	D15/199
D650,820	S	*	12/2011	Long	.....	D15/199
D651,627	S	*	1/2012	Long	.....	D15/199
D678,378	S	*	3/2013	Selic	.....	D15/199
D681,708	S	*	5/2013	Miyake	.....	D15/199
8,434,387	B2	*	5/2013	Nakagiri	.....	B25J 9/104 74/665 R
D690,753	S	*	10/2013	Liu	.....	D15/199
D707,277	S	*	6/2014	Olsson	.....	D15/199
D713,436	S	*	9/2014	Liu	.....	D15/199
D766,348	S	*	9/2016	Long	.....	D15/199
D769,343	S	*	10/2016	Bordegnoni	.....	D15/199
D769,954	S	*	10/2016	Kinoshita	.....	D15/199
D778,971	S	*	2/2017	Long	.....	D15/199
D802,041	S	*	11/2017	He	.....	D15/199
D837,294	S	*	1/2019	Ciniello	.....	D19/59
D841,707	S	*	2/2019	Yamamoto	.....	D15/199
D852,863	S	*	7/2019	Dosho	.....	D15/199
D865,828	S	*	11/2019	Bogart	.....	D15/199
D870,169	S	*	12/2019	Dosho	.....	D15/199
D877,787	S	*	3/2020	Kinoshita	.....	D15/199
D881,251	S	*	4/2020	Abe	.....	D15/199
D896,859	S	*	9/2020	Naitou	.....	D15/199
D905,774	S	*	12/2020	Inoue	.....	D15/199
D911,408	S	*	2/2021	Okada	.....	D15/199
2005/0092122	A1	*	5/2005	Markert	.....	B25J 19/0075 74/490.01
2005/0126327	A1	*	6/2005	Markert	.....	B25J 19/0054 74/490.02
2008/0271561	A1	*	11/2008	Ohara	.....	B25J 9/0018 74/490.01

\* cited by examiner

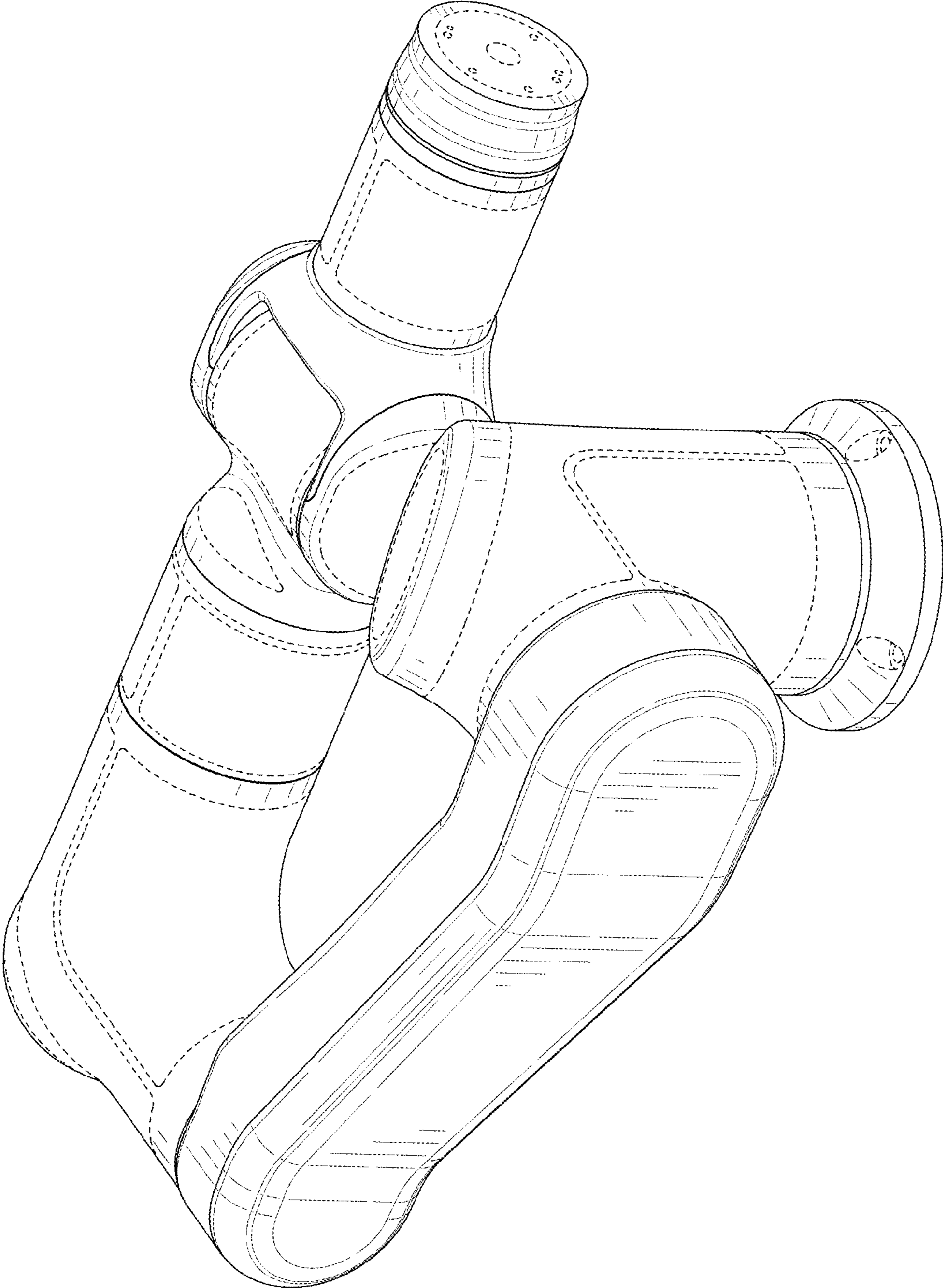


FIG. 1

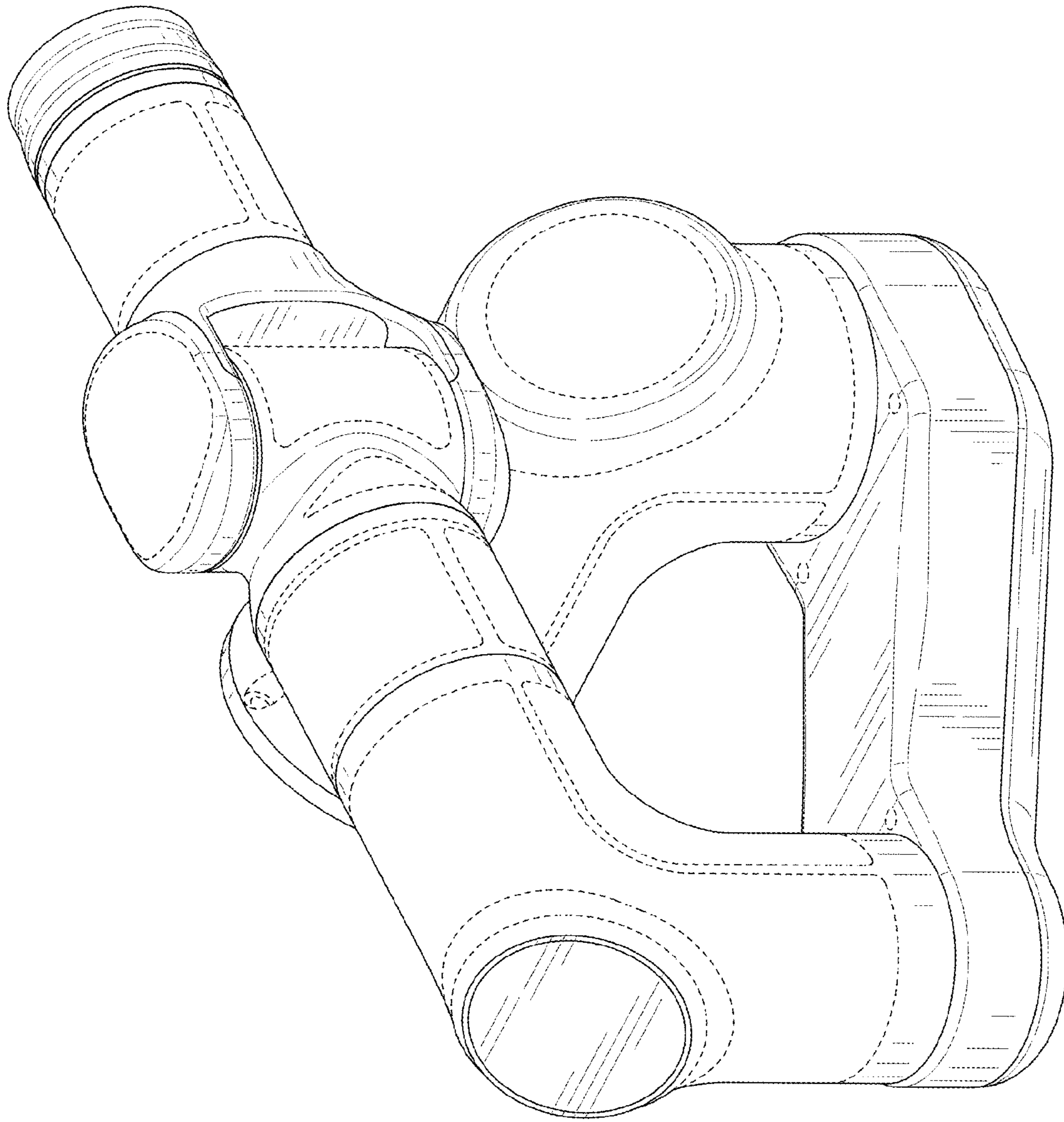


FIG. 2

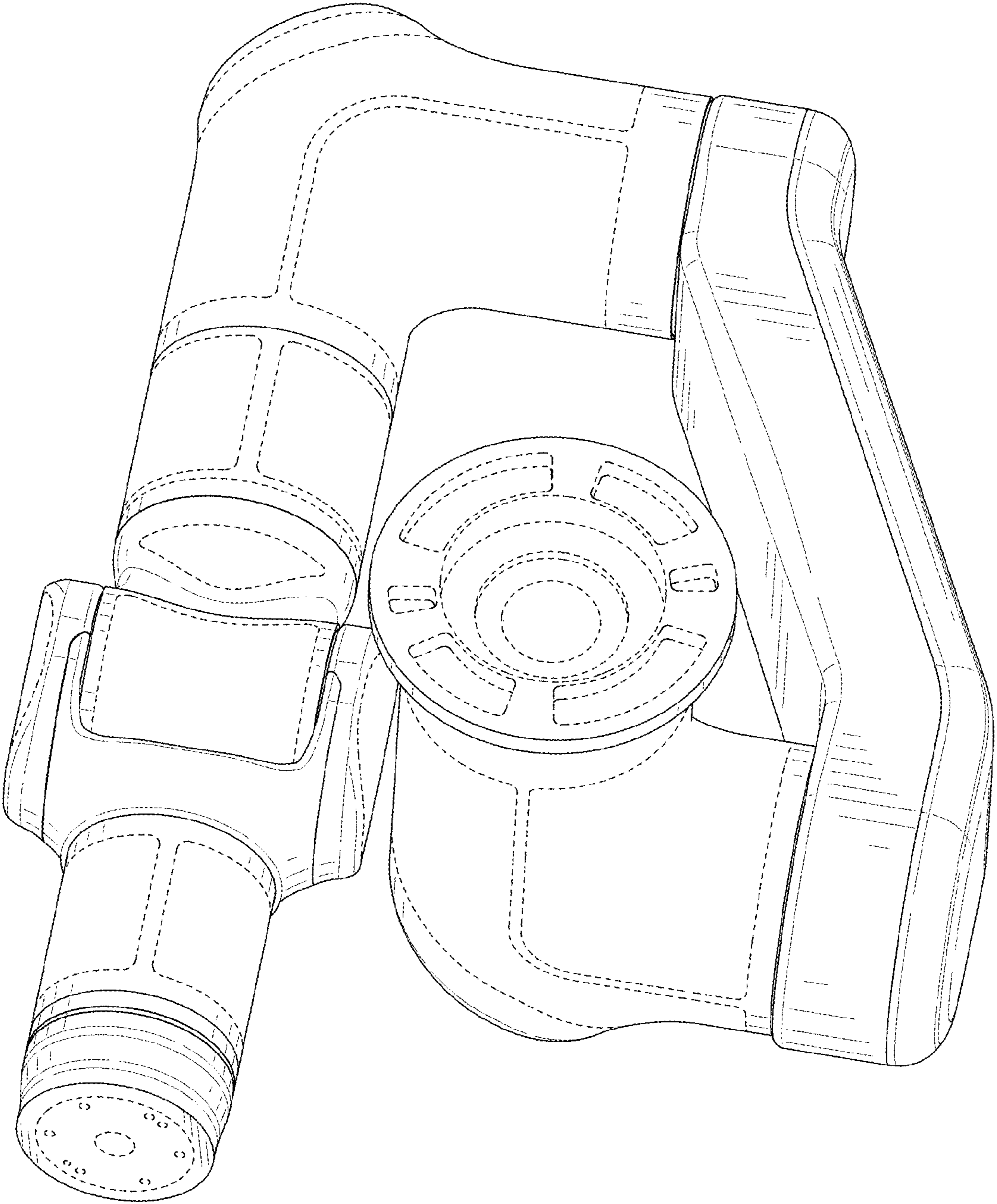


FIG. 3

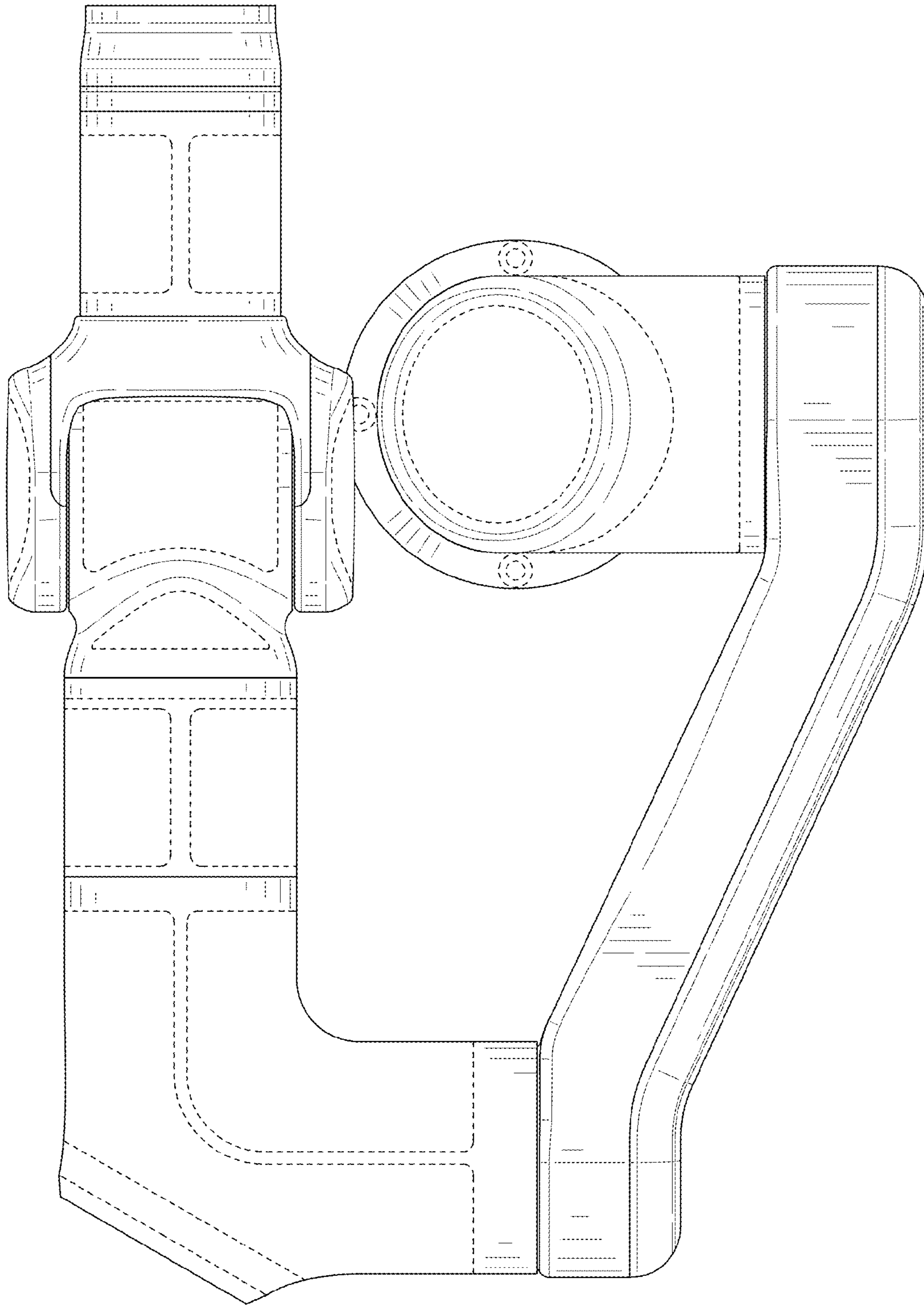


FIG. 4

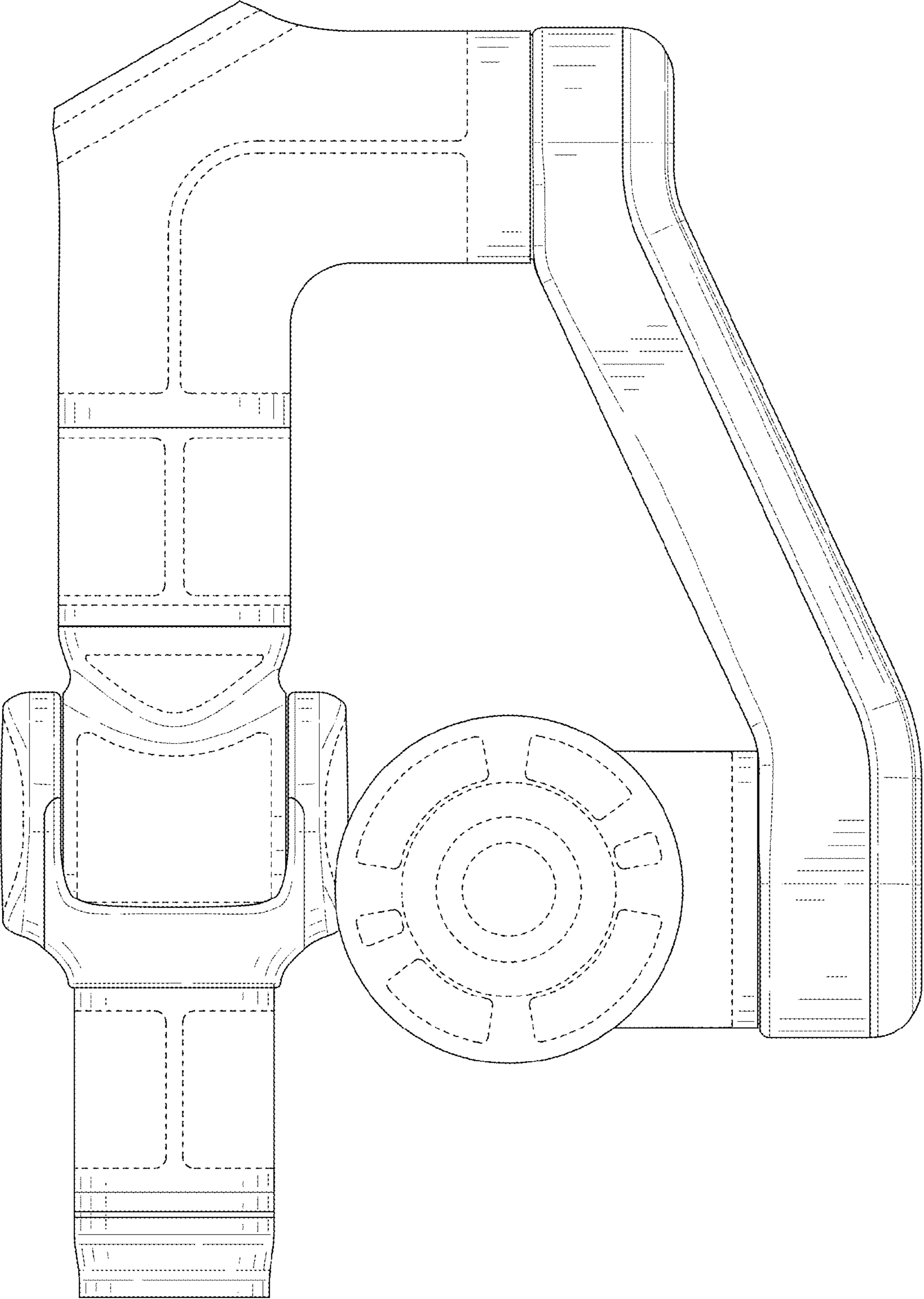


FIG. 5

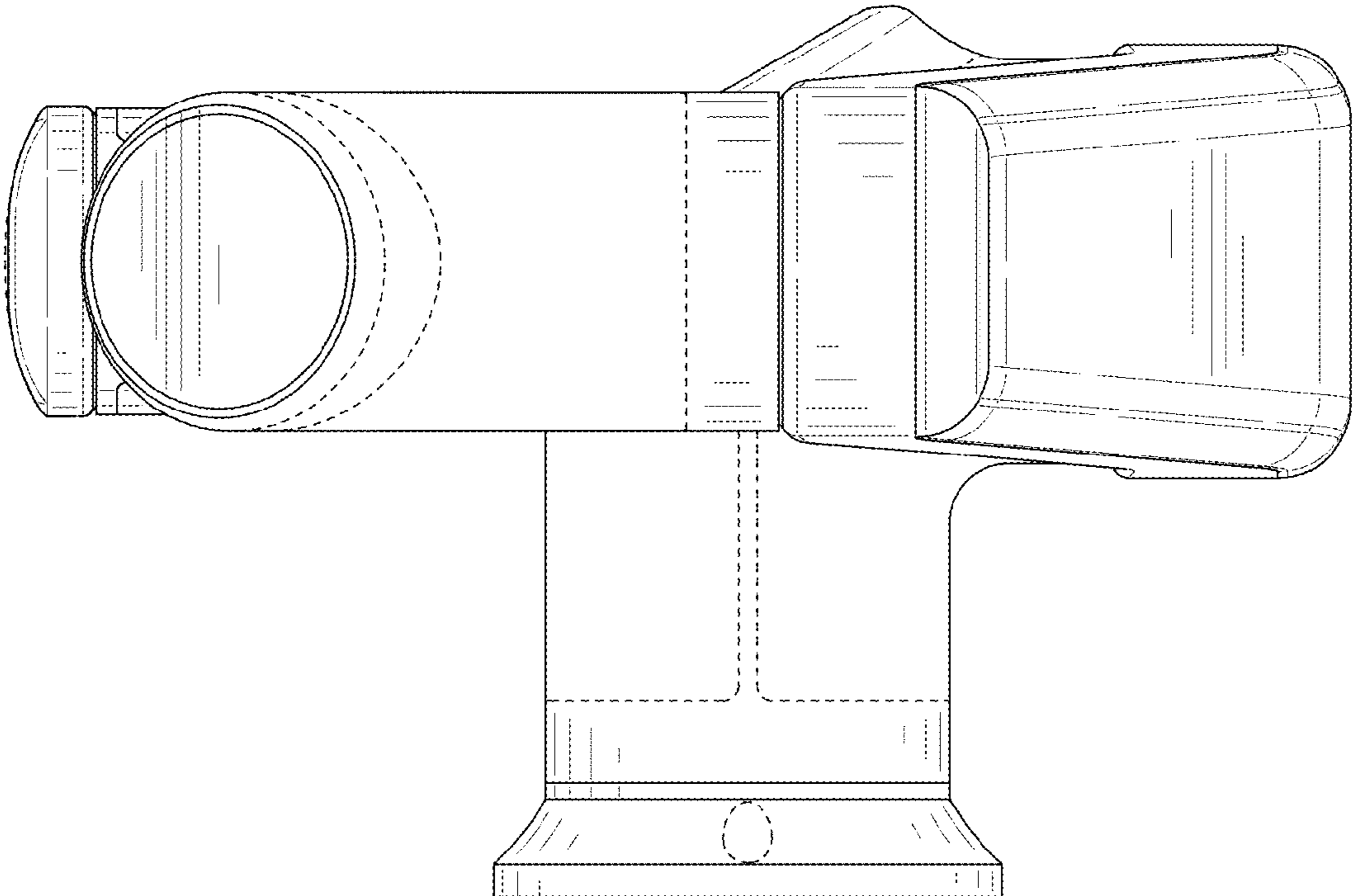


FIG. 6



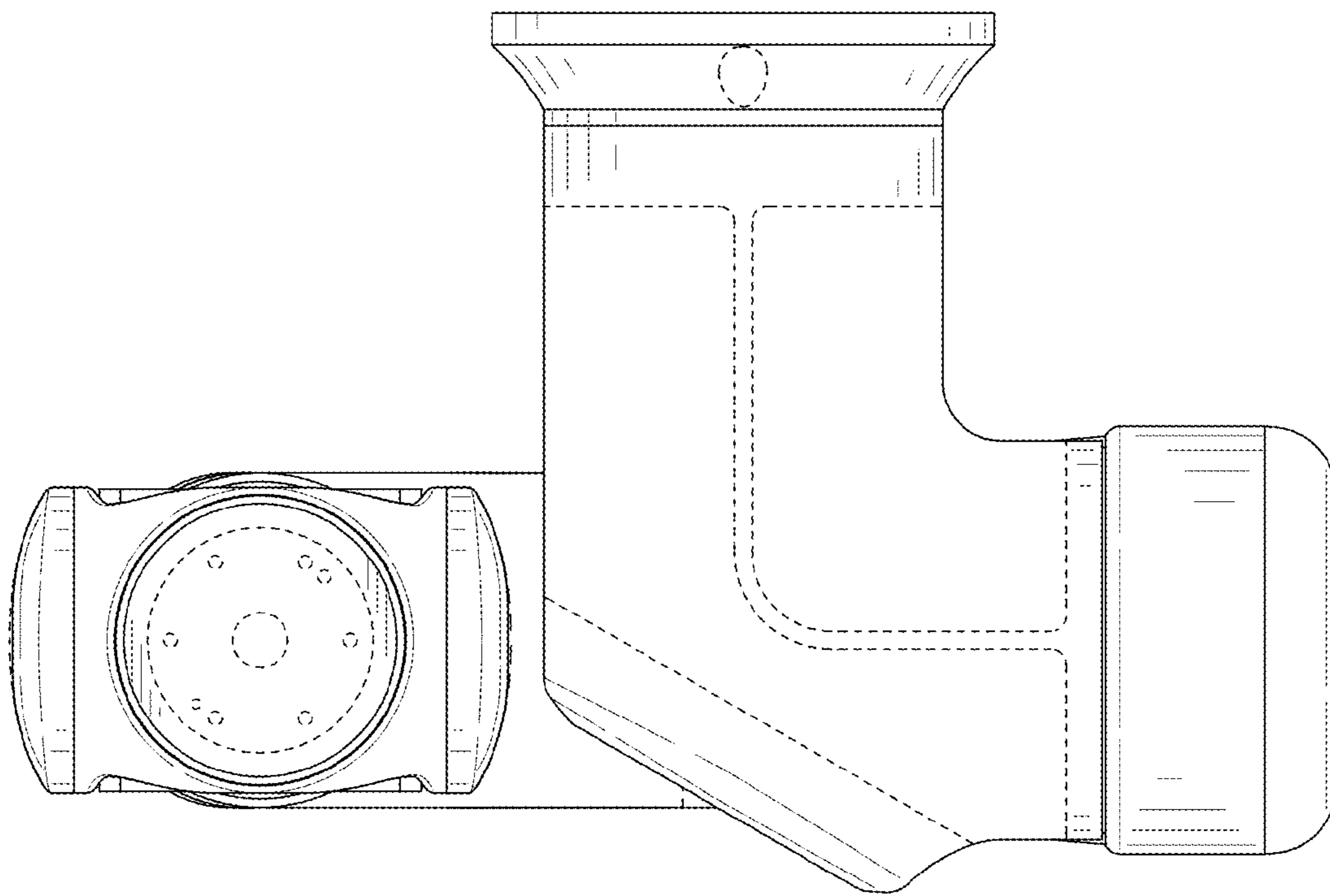


FIG. 7

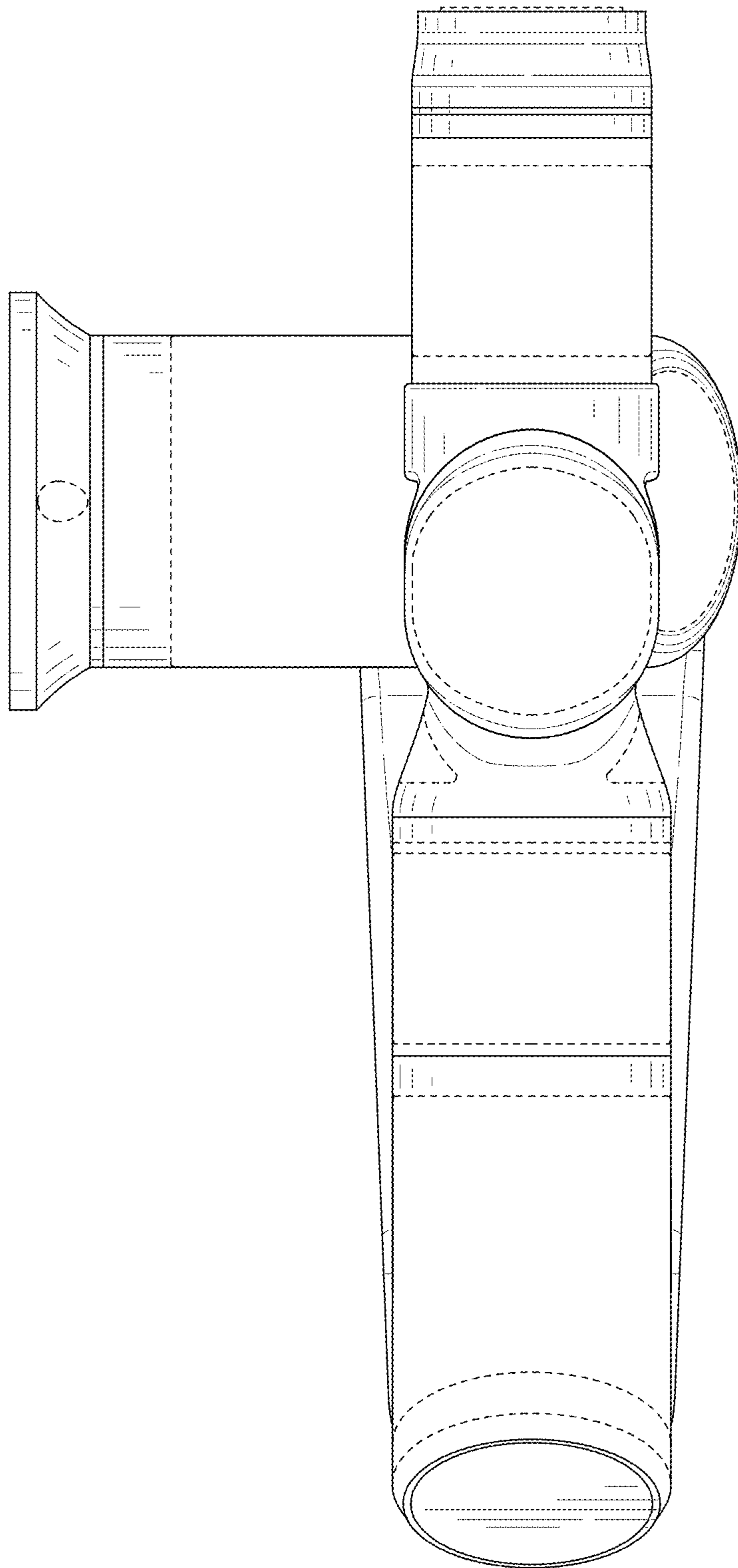


FIG. 8

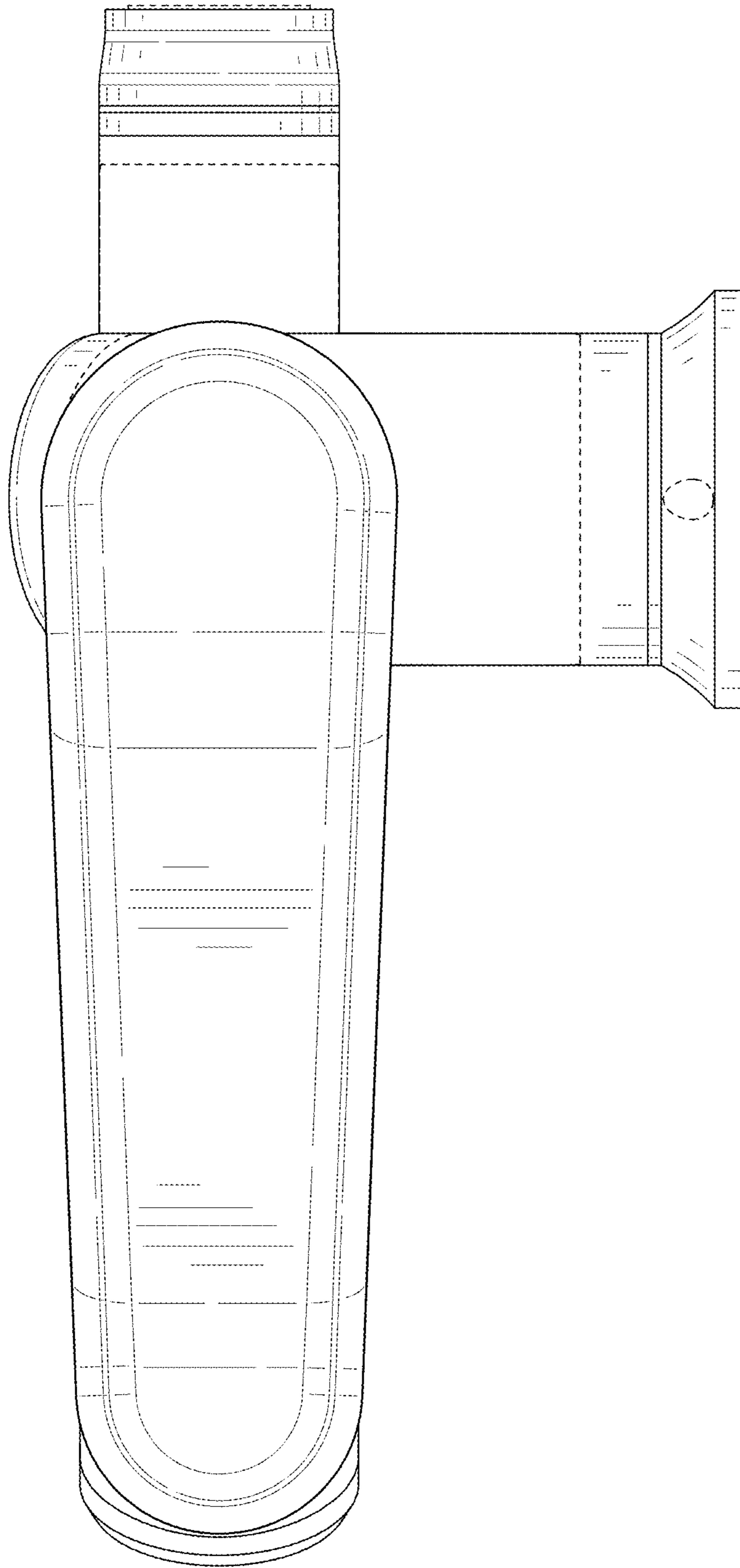


FIG. 9