



US00D932523S

(12) **United States Design Patent** (10) **Patent No.:** **US D932,523 S**
Son (45) **Date of Patent:** **** Oct. 5, 2021**

(54) **MACHINE CENTER**
(71) Applicant: **DOOSAN MACHINE TOOLS CO., LTD.**, Chang-Won-si (KR)
(72) Inventor: **Heedong Son**, Changwon-si (KR)
(73) Assignee: **DOOSAN MACHINE TOOLS CO., LTD.**, Chang-Won-si (KR)

D690,745 S * 10/2013 Koide D15/122
D693,859 S * 11/2013 Kitamura D15/122
D711,947 S * 8/2014 Son D15/199
D865,010 S * 10/2019 Wakao D15/122
D873,873 S * 1/2020 Sollberger D15/122
D884,754 S * 5/2020 Andre D15/122
10,793,461 B2 * 10/2020 Drewnowski B33Y 10/00
10,800,067 B2 * 10/2020 Tiezzi B27M 1/08

(Continued)

(**) Term: **15 Years**
(21) Appl. No.: **29/679,982**

FOREIGN PATENT DOCUMENTS

CN 305227879 * 6/2019
CN 306086099 * 10/2020

(22) Filed: **Feb. 12, 2019**

OTHER PUBLICATIONS

(30) **Foreign Application Priority Data**

VX 12—Huron Graffenstaden, Earliest available date Dec. 14, 2015 [Online], [Site visited Jun. 26, 2020] Available From Internet, URL:<<http://huron.fr/our-products/vx-12>> (Year: 2015).*

Aug. 21, 2018 (KR) 30-2018-0038677

(Continued)

(51) **LOC (13) Cl.** **15-09**

(52) **U.S. Cl.**
USPC **D15/122**; D15/127

(58) **Field of Classification Search**
USPC D15/122, 127, 135, 199; 414/737, 749, 414/750, 751, 752, 753; 273/447; 29/50, 29/563–566, 564.1–564.8; 483/17–57
CPC B23K 26/00; B23K 26/02; B23K 26/706; B33Y 30/00; B29C 67/0085; A63F 9/30; B23Q 11/00; B23Q 11/001; B23Q 3/15713; B23Q 3/15513; B23B 3/16; B23B 3/161; B23B 1/00; B23B 29/26; B23B 3/06; B23B 3/065
See application file for complete search history.

Primary Examiner — Calvin E Vansant
Assistant Examiner — Mark T. Philipps
(74) *Attorney, Agent, or Firm* — STIP Law Group, LLC

(57) **CLAIM**

The ornamental design for a machine center, as shown and described.

DESCRIPTION

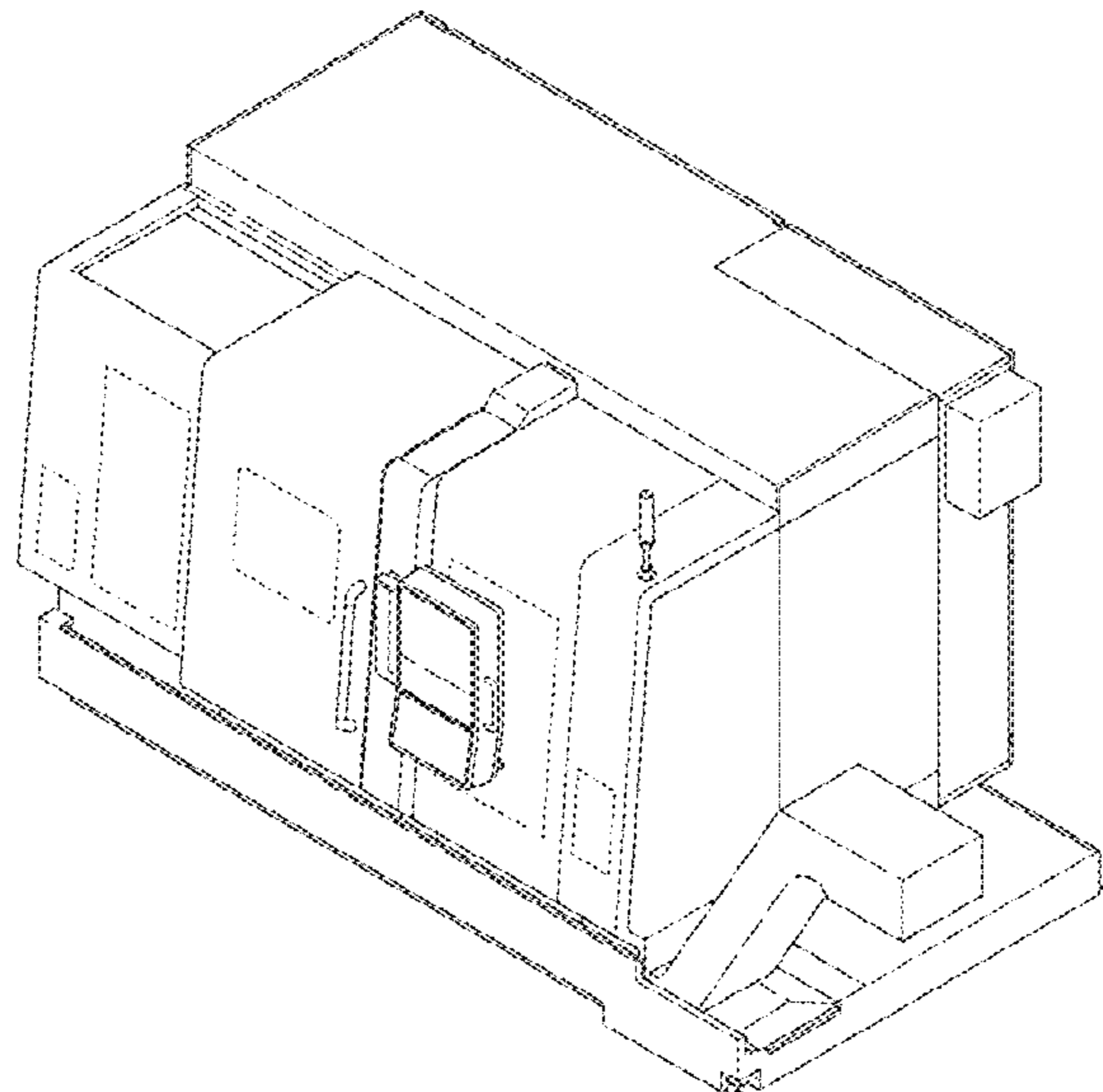
FIG. 1 is a perspective view of the machine center, showing the present design.
FIG. 2 is a front view thereof.
FIG. 3 is a rear view thereof.
FIG. 4 is a left side view thereof.
FIG. 5 is a right side view thereof; and,
FIG. 6 is a top view of thereof.
The broken lines in the figures are used to show portions of the machine center that form no part of the claimed design.

(56) **References Cited**

U.S. PATENT DOCUMENTS

D638,449 S * 5/2011 Schindler D15/122
D651,620 S * 1/2012 Schindler D15/122
D659,174 S * 5/2012 Mueller D15/122
D690,331 S * 9/2013 Kitamura D15/122
D690,744 S * 10/2013 Koide D15/122

1 Claim, 6 Drawing Sheets



(56)

References Cited

U.S. PATENT DOCUMENTS

2008/0168860 A1* 7/2008 Nishi B23Q 11/0891
74/616
2008/0282854 A1* 11/2008 Momoi B23B 1/00
82/1.11
2013/0085050 A1* 4/2013 Momoi B23Q 11/001
483/18
2020/0198318 A1* 6/2020 Ford B29C 64/106
2020/0198319 A1* 6/2020 Colchester B29C 64/245
2020/0206837 A1* 7/2020 Kteily B23K 9/328
2020/0238600 A1* 7/2020 Seo B33Y 30/00

OTHER PUBLICATIONS

CNC machining center , Earliest available date Sep. 21, 2016
[Online], [Site visited Jun. 26, 2020] Available From Internet,
URL:<[http://www.directindustry.com/prod/makino-europe-gmbh/
product-22025-364664.html](http://www.directindustry.com/prod/makino-europe-gmbh/product-22025-364664.html)> (Year: 2016).*

* cited by examiner

FIG. 1

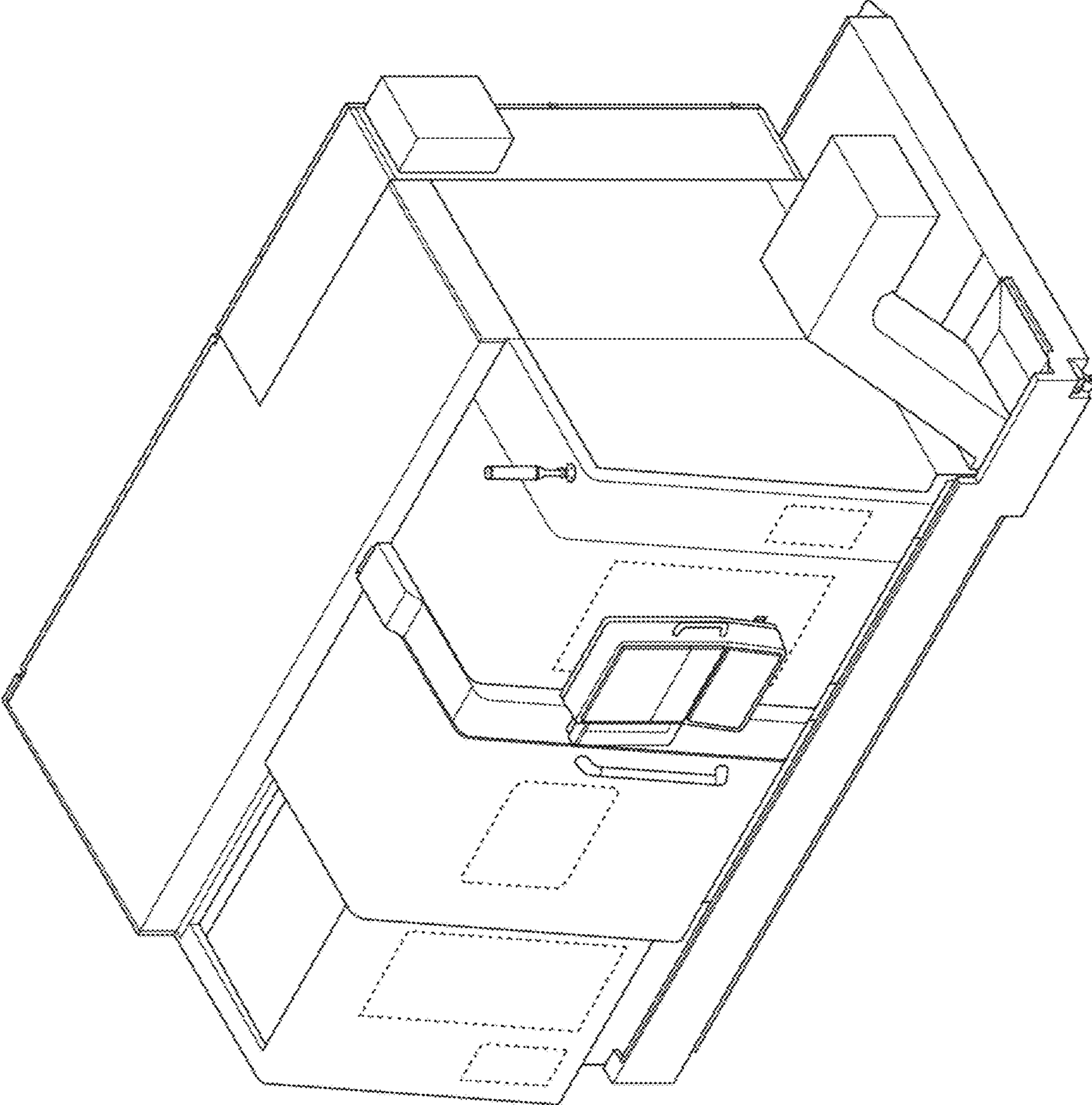


FIG. 2

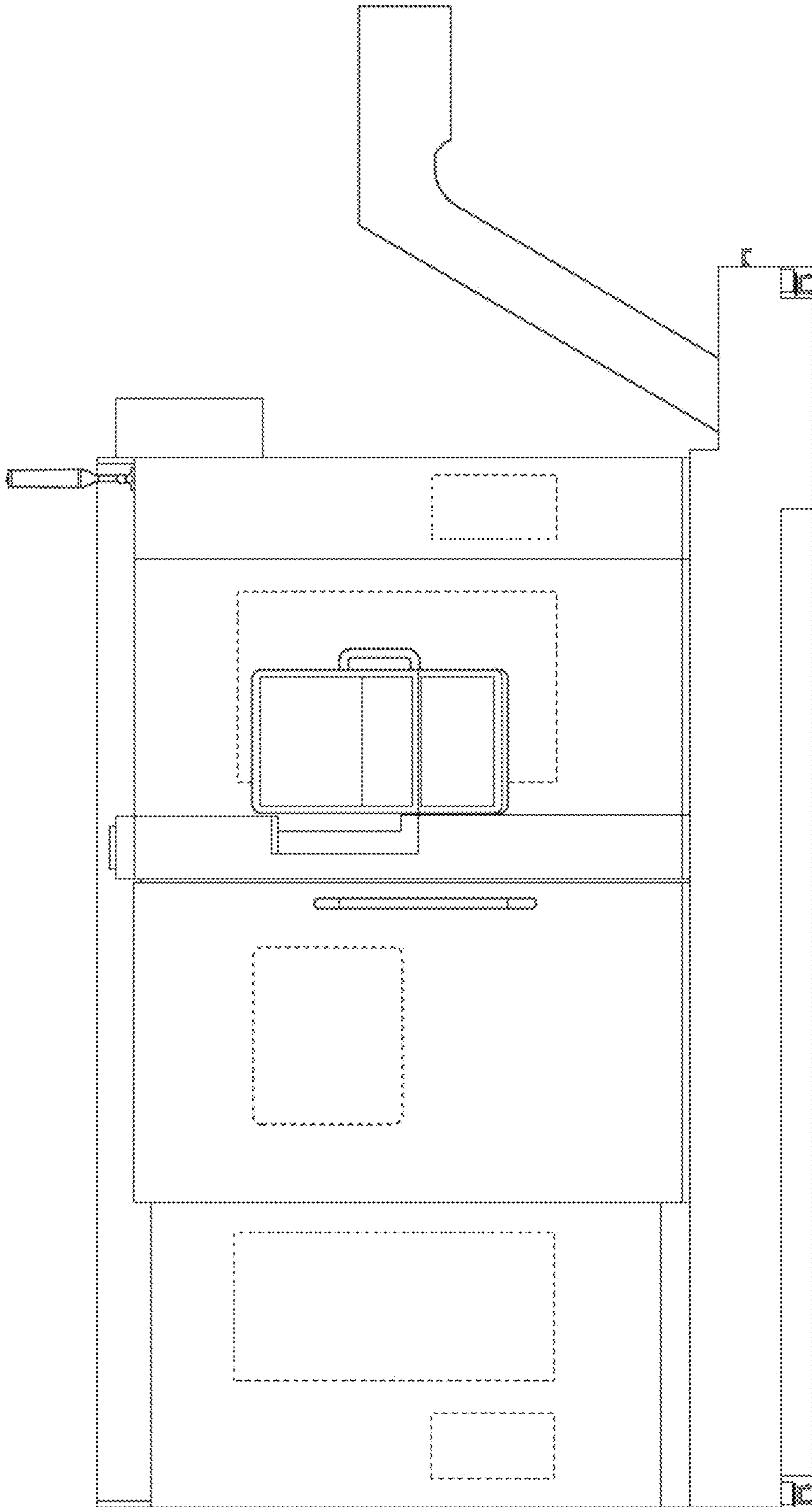


FIG. 3

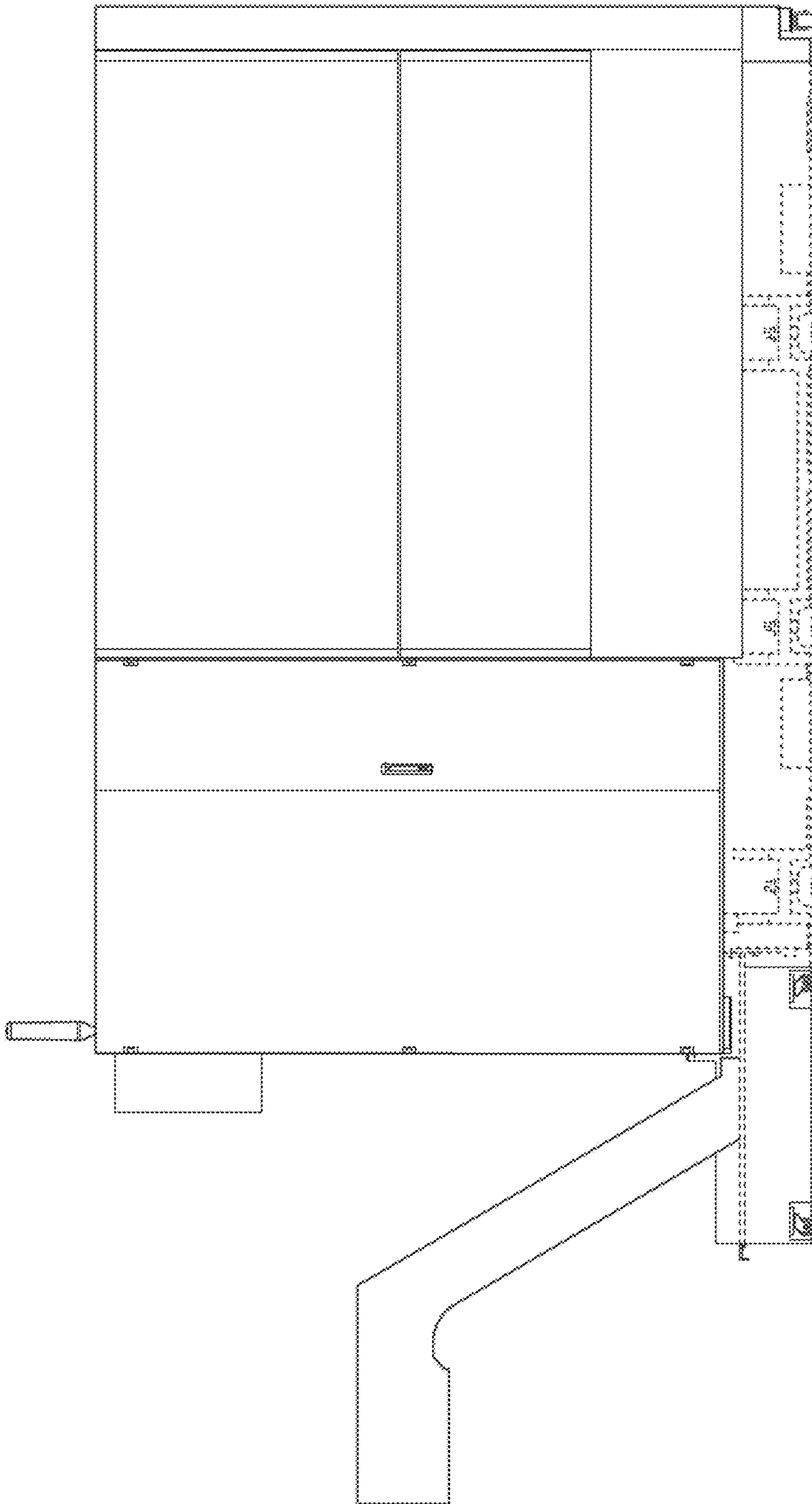


FIG. 4

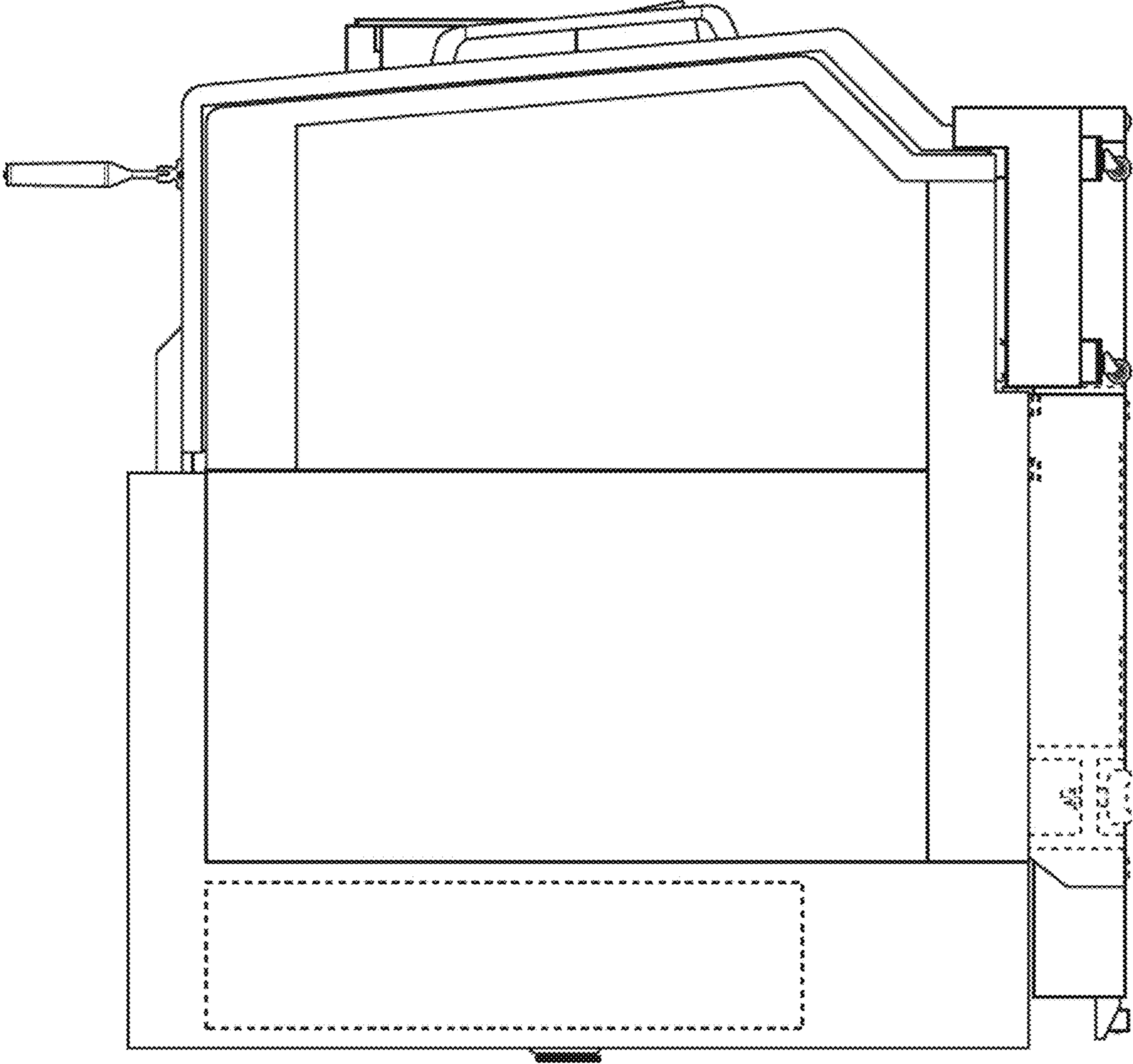


FIG. 5

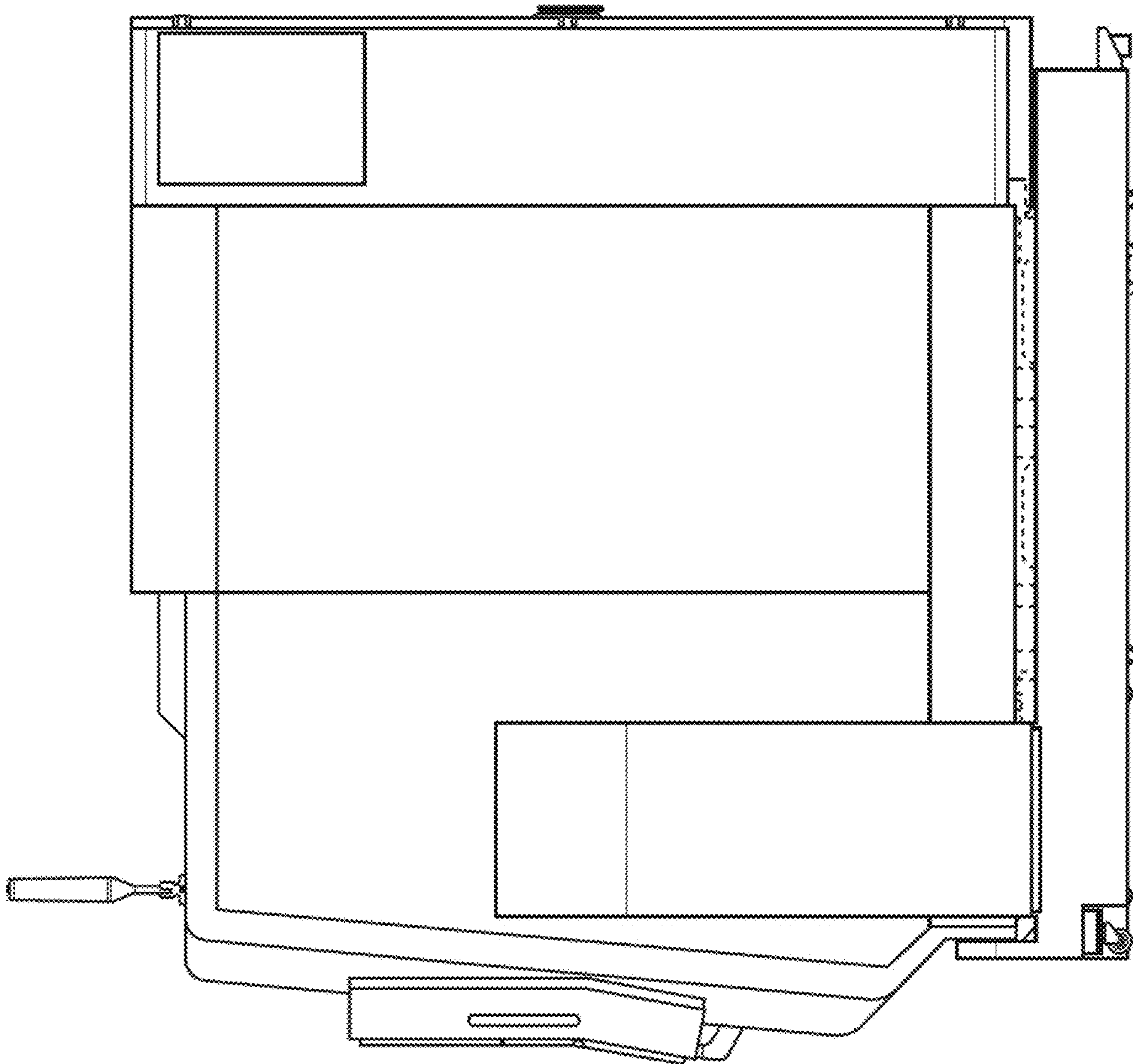


FIG. 6

