



US00D932521S

(12) **United States Design Patent**
Zhang

(10) **Patent No.:** **US D932,521 S**

(45) **Date of Patent:** **** Oct. 5, 2021**

(54) **PEDESTAL FOR VACUUM PUMPS**

(71) Applicant: **EBARA CORPORATION**, Tokyo (JP)

(72) Inventor: **Lu Zhang**, Tokyo (CN)

(73) Assignee: **EBARA CORPORATION**, Tokyo (JP)

(**) Term: **15 Years**

(21) Appl. No.: **35/509,968**

(22) Filed: **Jan. 27, 2020**

(80) **Hague Agreement Data**

Int. Filing Date: **Jan. 27, 2020**

Int. Reg. No.: **DM/207275**

Int. Reg. Date: **Jan. 27, 2020**

Int. Reg. Pub. Date: **Jul. 31, 2020**

(30) **Foreign Application Priority Data**

Jul. 31, 2019 (JP) 2019-017173

(51) **LOC (13) Cl.** **15-02**

(52) **U.S. Cl.**

USPC **D15/7**

CPC **F02M 37/04** (2013.01)

(58) **Field of Classification Search**

USPC D15/7-9; D23/225, 231, 232; 417/235,

417/265, 321, 355, 358, 363, 359, 410.1,

417/415-416, 405, 900, 269, 539;

60/408, 412; 184/26-37; 415/140-147;

123/495, 509; 137/565.34

CPC F02M 37/04; F02M 37/14; F04B 53/92;

F04B 1/005; F16K 11/074

See application file for complete search history.

(56) **References Cited**

U.S. PATENT DOCUMENTS

4,823,550 A * 4/1989 Decker F16K 11/074

60/412

D331,240 S * 11/1992 Winn D15/7

D368,723 S * 4/1996 Blindauer D15/9.1

D490,820 S * 6/2004 Schoemneyr D15/7

D537,453 S * 2/2007 Chu D15/9

D537,839 S * 3/2007 Bruno D15/7

D537,844 S * 3/2007 Chu D15/9

D541,815 S * 5/2007 Drummond, Jr. D15/7

D563,435 S * 3/2008 Charlet D15/7

D629,422 S * 12/2010 Fujita D15/7

D698,829 S * 2/2014 Singh D15/7

D737,863 S * 9/2015 Singh D15/7

D774,555 S * 12/2016 Chu D15/9

D776,167 S * 1/2017 Kelso D15/7

D777,793 S * 1/2017 Singh D15/7

D822,718 S * 7/2018 Hartung D15/7

* cited by examiner

Primary Examiner — Richard E Chilcot

(74) *Attorney, Agent, or Firm* — Pearne & Gordon LLP

(57) **CLAIM**

The ornamental design for a pedestal for vacuum pumps, as shown and described.

DESCRIPTION

1. Pedestal for vacuum pumps

1.1 : Perspective

1.2 : Perspective

1.3 : Top

1.4 : Bottom

1.5 : Front

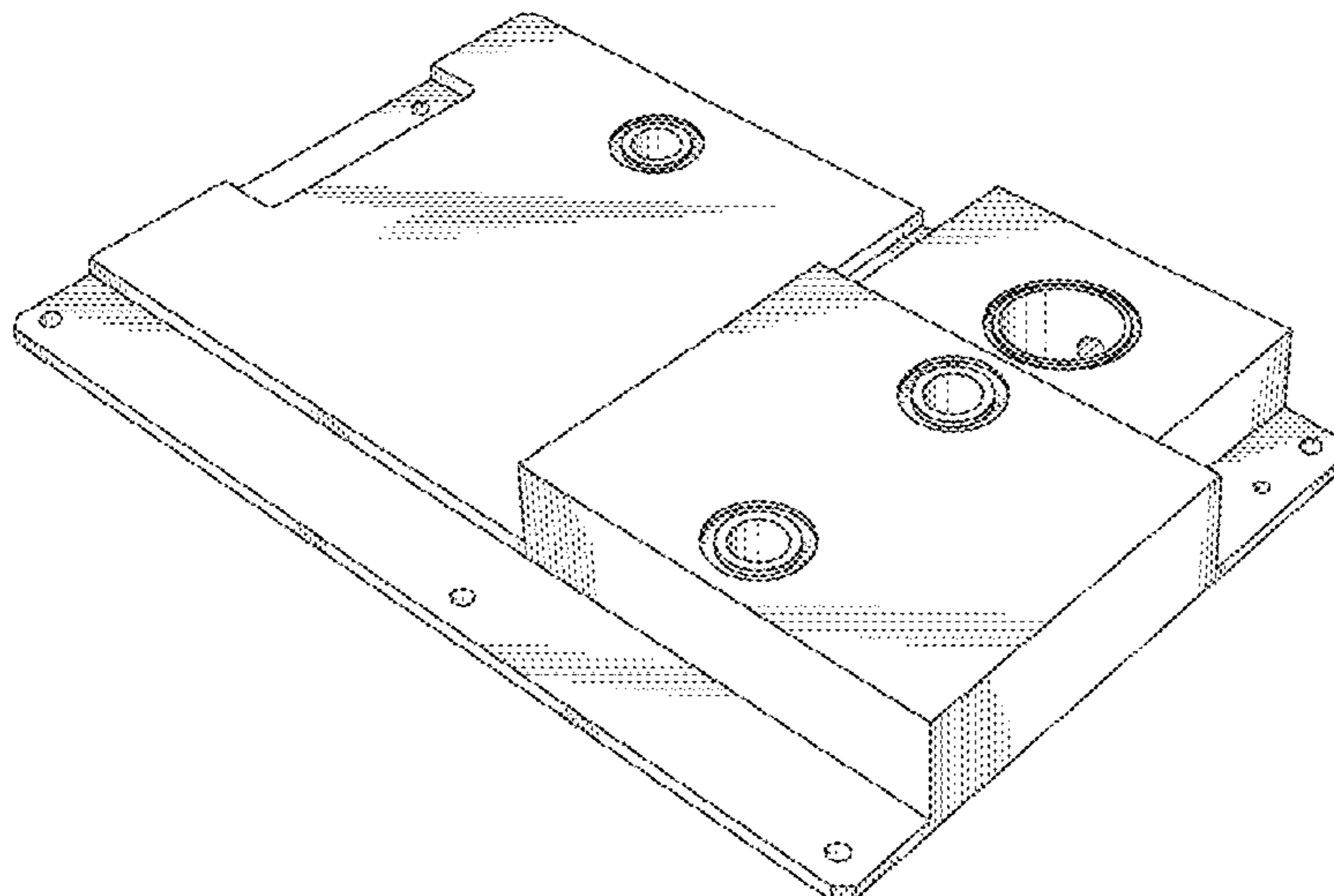
1.6 : Back

1.7 : Left

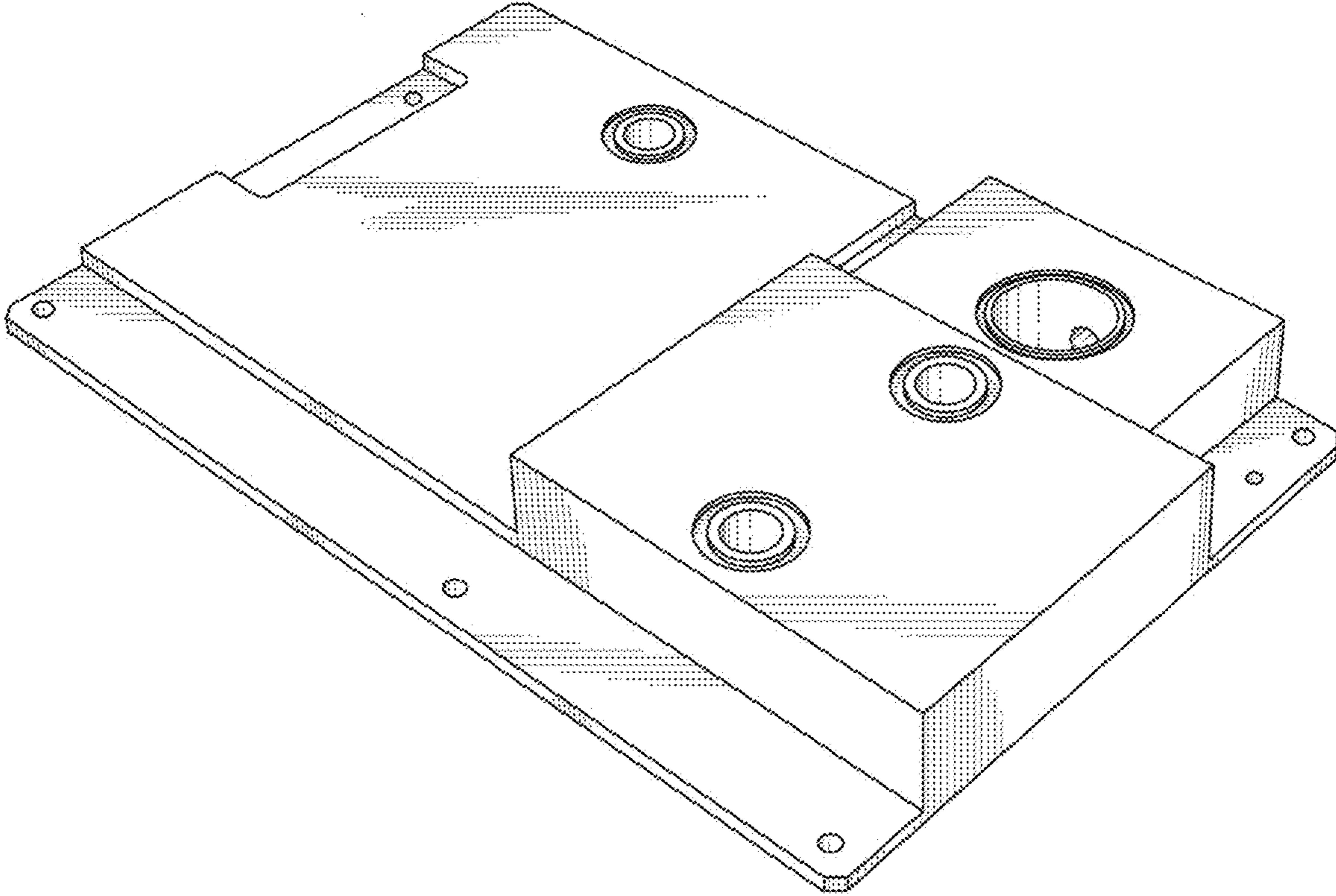
1.8 : Right

This product is pedestal for vacuum pumps; the parallel thin lines and radial thin lines in the representation represent contours only and do not illustrate ornamentation or decoration on the surfaces of the products, which form no part of the claimed designs.

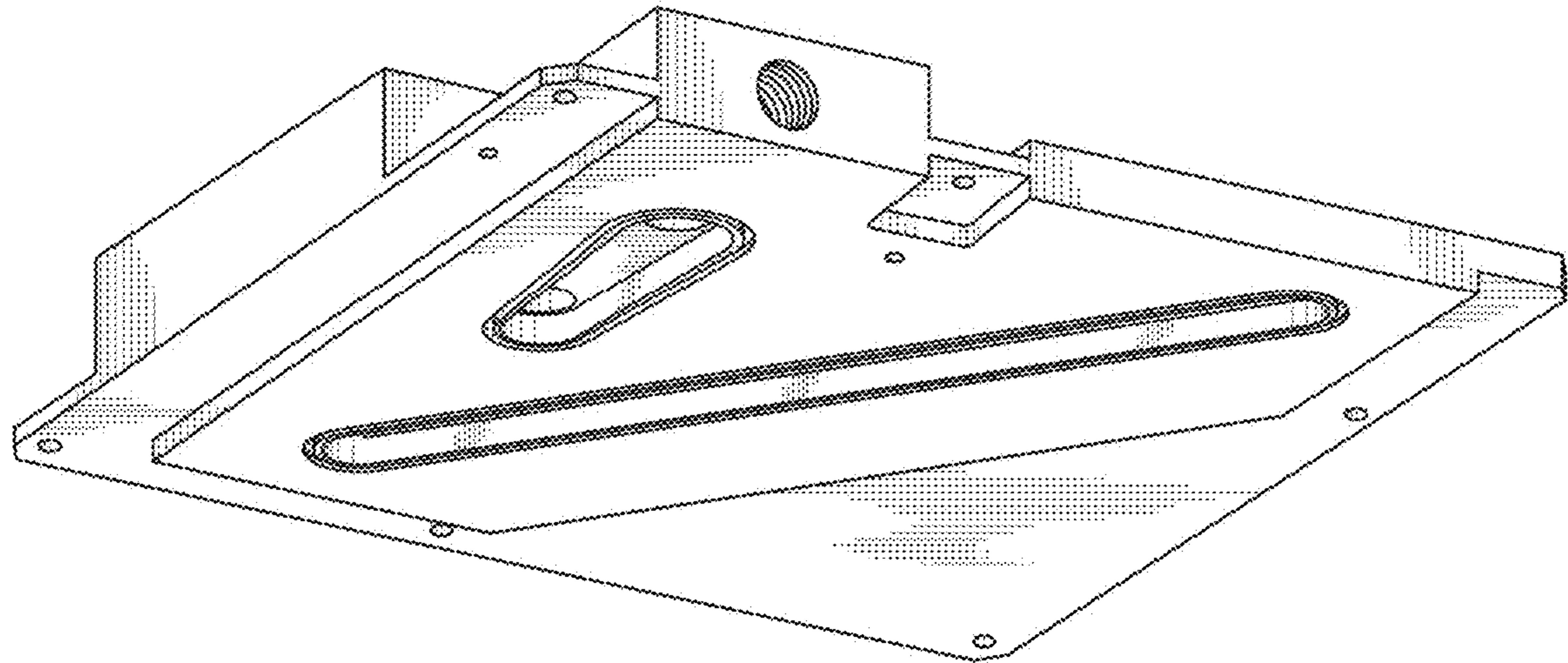
1 Claim, 8 Drawing Sheets



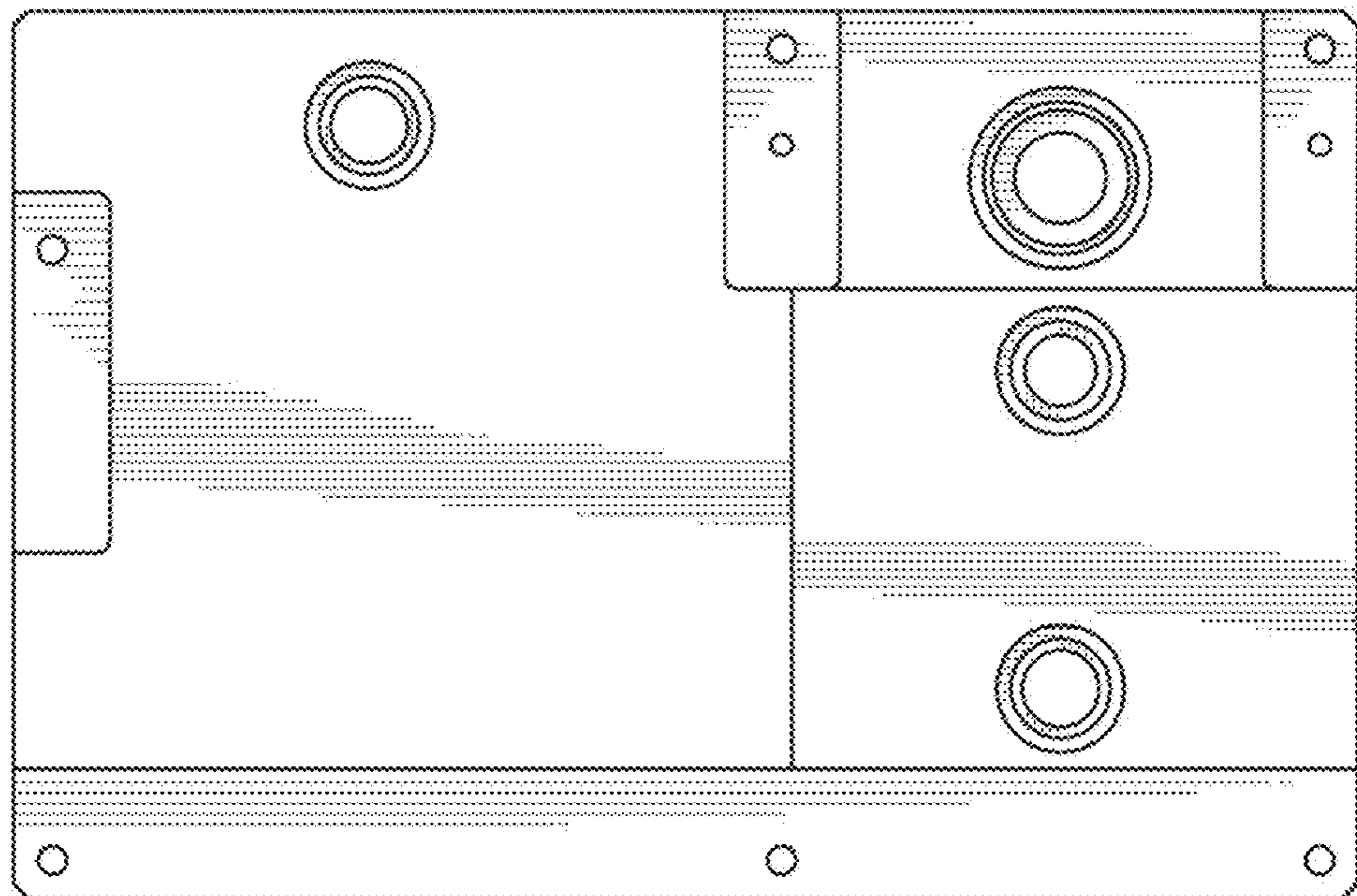
1.1



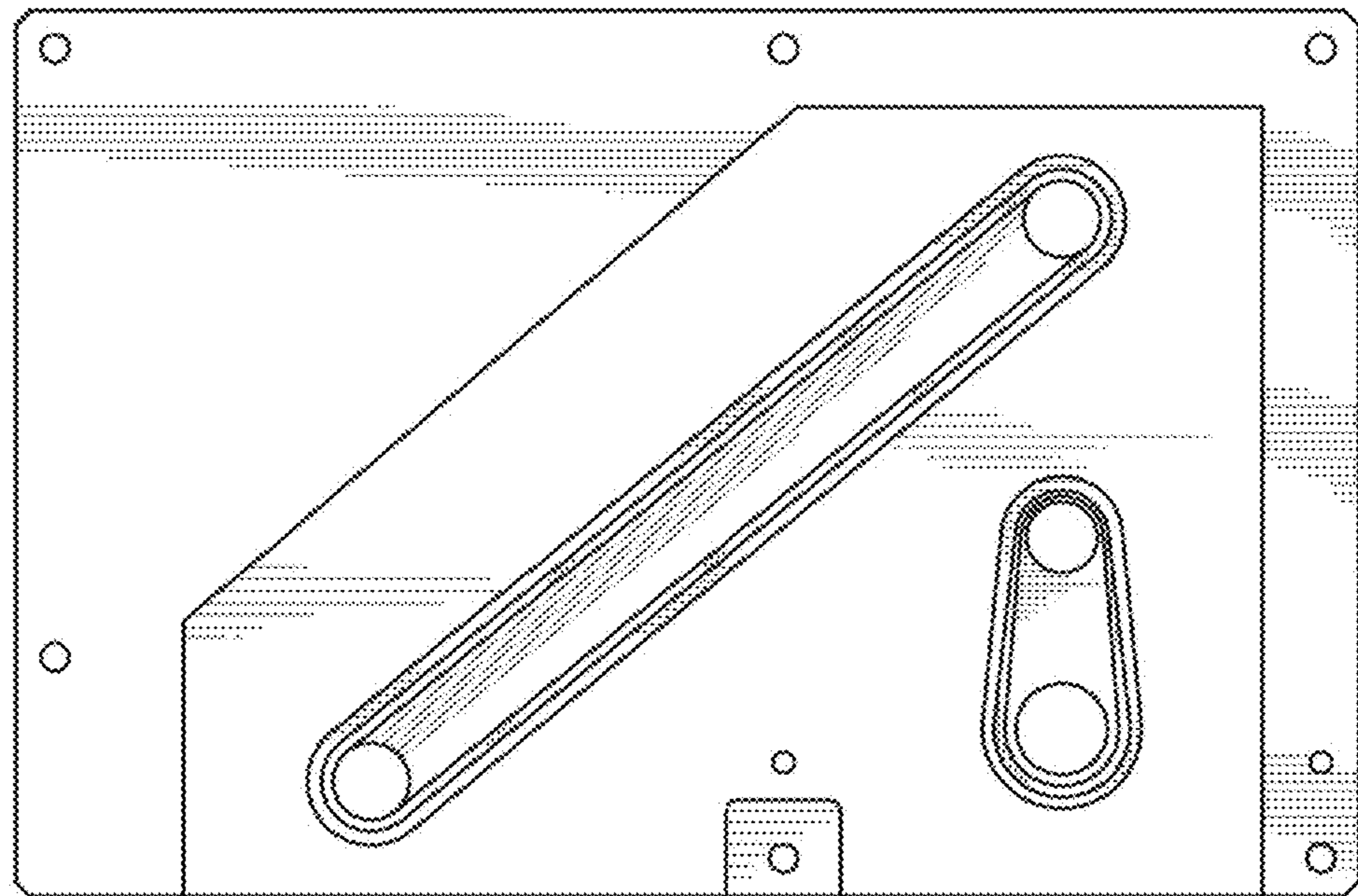
1.2



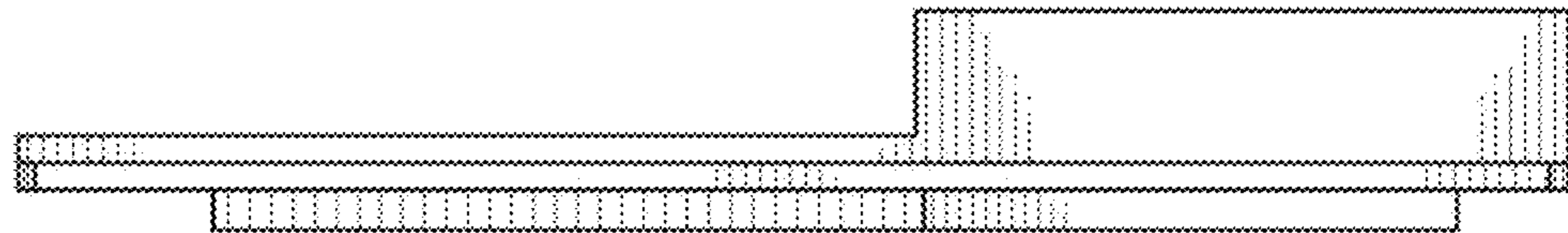
1.3



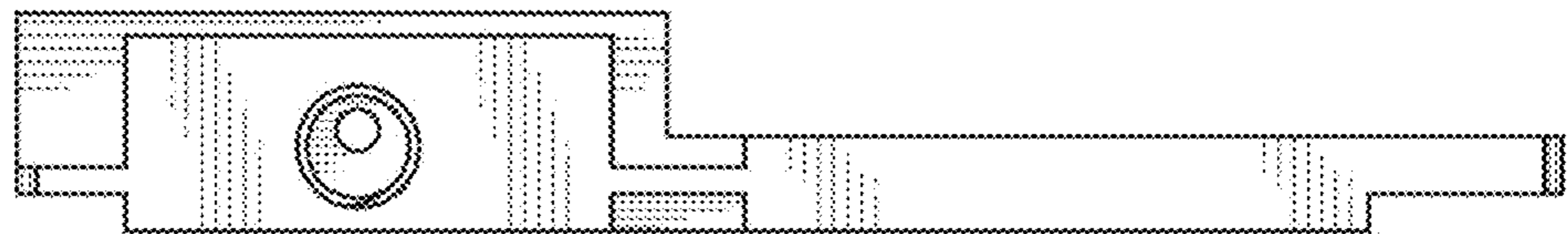
1.4



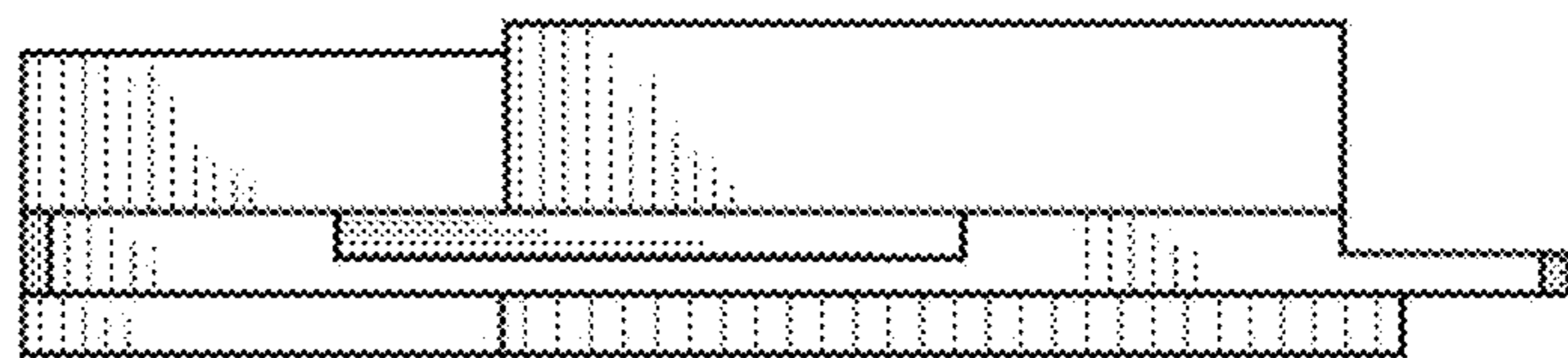
1.5



1.6



1.7



1.8

