



US00D932519S

(12) **United States Design Patent**
Dall'Asta

(10) **Patent No.:** **US D932,519 S**

(45) **Date of Patent:** **** Oct. 5, 2021**

(54) **HYDRAULIC PUMP**

(71) Applicant: **LEUCO S.P.A.**, Reggio Emilia (IT)

(72) Inventor: **Dario Dall'Asta**, Reggio Emilia (IT)

(73) Assignee: **LEUCO S.P.A.**, Reggio Emilia (IT)

(**) Term: **15 Years**

(21) Appl. No.: **29/695,452**

(22) Filed: **Jun. 19, 2019**

(30) **Foreign Application Priority Data**

Dec. 20, 2018 (EM) 005940376-0001

(51) **LOC (13) Cl.** **15-02**

(52) **U.S. Cl.**
USPC **D15/7**

(58) **Field of Classification Search**
USPC D15/7, 9, 143, 148-149, 199; D23/225,
D23/231-233, 235

CPC F15B 15/16; F15B 15/26; F15B 15/1414;
F15B 15/1919; F15B 15/14; F15B 15/00;
F15B 15/08; F15B 15/18; F15B 15/20;
F02M 37/04; F04D 29/4286

See application file for complete search history.

(56) **References Cited**

U.S. PATENT DOCUMENTS

5,244,364	A	9/1993	Laco et al.	
D495,342	S *	8/2004	Tojo	D15/7
D536,005	S *	1/2007	Reverberi	D15/5
D613,765	S *	4/2010	Reverberi	D15/5
D613,766	S *	4/2010	Reverberi	D15/5
D613,770	S *	4/2010	Kitamura	D15/7
D670,312	S *	11/2012	Alexander	D15/7
D688,273	S *	8/2013	Magri	D15/7
D692,026	S *	10/2013	Alexander	D15/7
D700,211	S *	2/2014	Alexander	D15/7

D726,225	S *	4/2015	Alexander	D15/7
D726,226	S *	4/2015	Alexander	D15/7
D768,208	S	10/2016	Paderni et al.	
9,677,548	B2 *	6/2017	Paderni	F16J 15/002
D797,156	S	9/2017	Paderni et al.	
D805,557	S *	12/2017	Lanevongsa	D15/7
D823,898	S *	7/2018	Alexander	D15/7
D823,899	S *	7/2018	Alexander	D15/7
D823,900	S *	7/2018	Alexander	D15/7
10,316,832	B2 *	6/2019	Byrne	F16D 57/002
D858,582	S *	9/2019	Shibazaki	D15/7
D870,155	S *	12/2019	Alexander	D15/7

(Continued)

OTHER PUBLICATIONS

Hawk International, NHD-HY, (site visited Jan. 28, 2021), Hawkpumps.com, URL:<<https://www.hawkpumps.com/en/products/52/high-pressure-piston-pumps/series/nhd-hy>> (Year: 2021).*

(Continued)

Primary Examiner — Calvin E Vansant

Assistant Examiner — Mark T. Philipps

(74) *Attorney, Agent, or Firm* — Pearne & Gordon LLP

(57) **CLAIM**

The ornamental design for a hydraulic pump, as shown and described.

DESCRIPTION

FIG. 1 is a front-left-top perspective view of a hydraulic pump, showing my new design;

FIG. 2 is a top view thereof;

FIG. 3 is a bottom view thereof;

FIG. 4 is a left side view thereof;

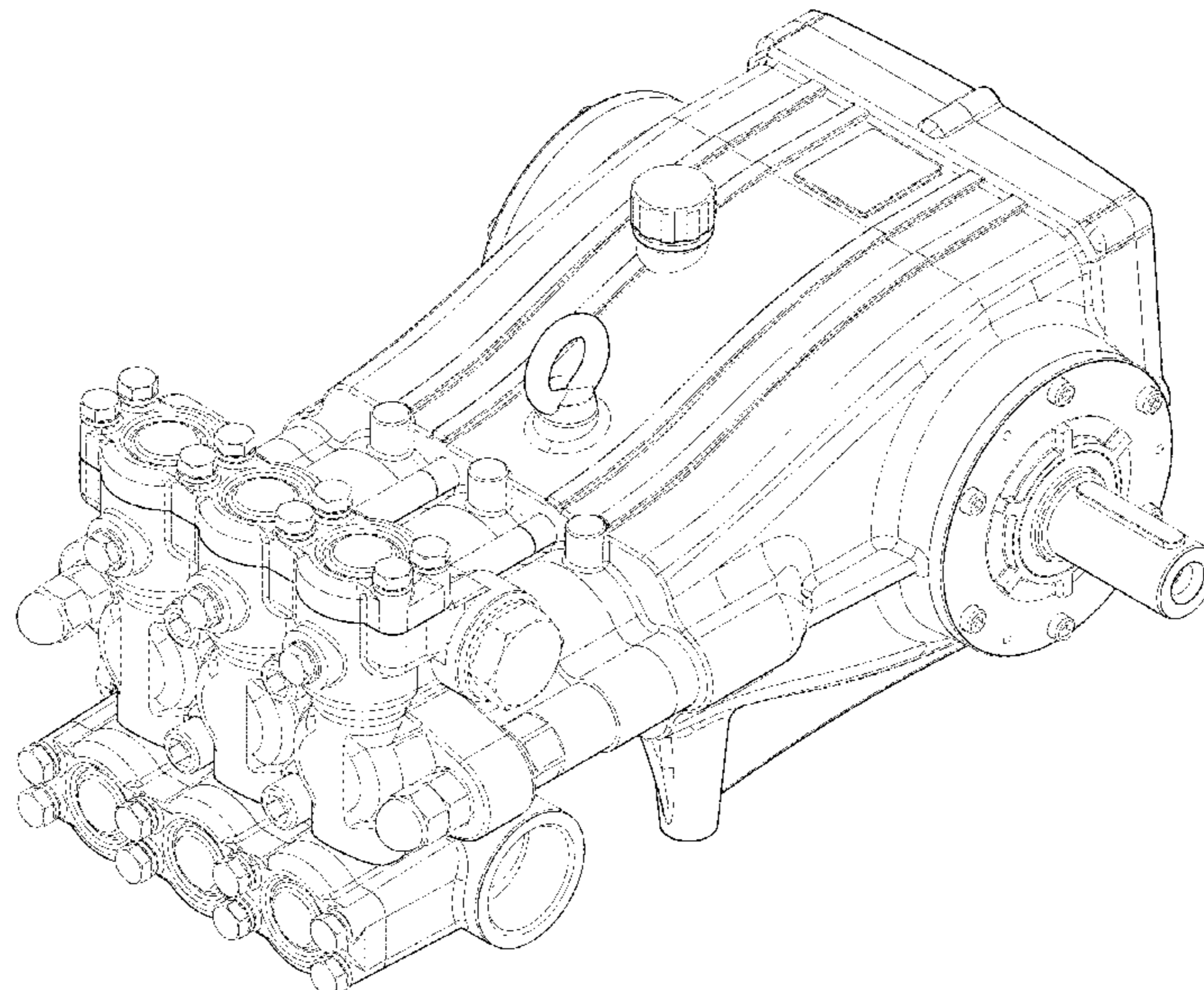
FIG. 5 is a right side view thereof;

FIG. 6 is a back view thereof; and,

FIG. 7 is a front view thereof.

The broken lines in the drawings depict portions of the hydraulic pump that form no part of the claimed design.

1 Claim, 7 Drawing Sheets



(56)

References Cited

U.S. PATENT DOCUMENTS

D879,839 S * 3/2020 Alexander D15/7
D886,870 S * 6/2020 Alexander D15/7
2016/0348654 A1* 12/2016 Yasuda F04B 27/22
2018/0010597 A1 1/2018 Paderni et al.
2020/0200156 A1* 6/2020 Dall'Asta F04B 53/144
2020/0256326 A1* 8/2020 Kharpas F04B 49/002

OTHER PUBLICATIONS

Myers, E3184 Piston & Centrifugal Pumps, (catalog page downloaded Jan. 28, 2021), Dultmeier Sales, 2020 catalog, p. E3184, URL:<<https://www.dultmeier.com/catpages/E3184.pdf>> (Year: 2021).*

* cited by examiner

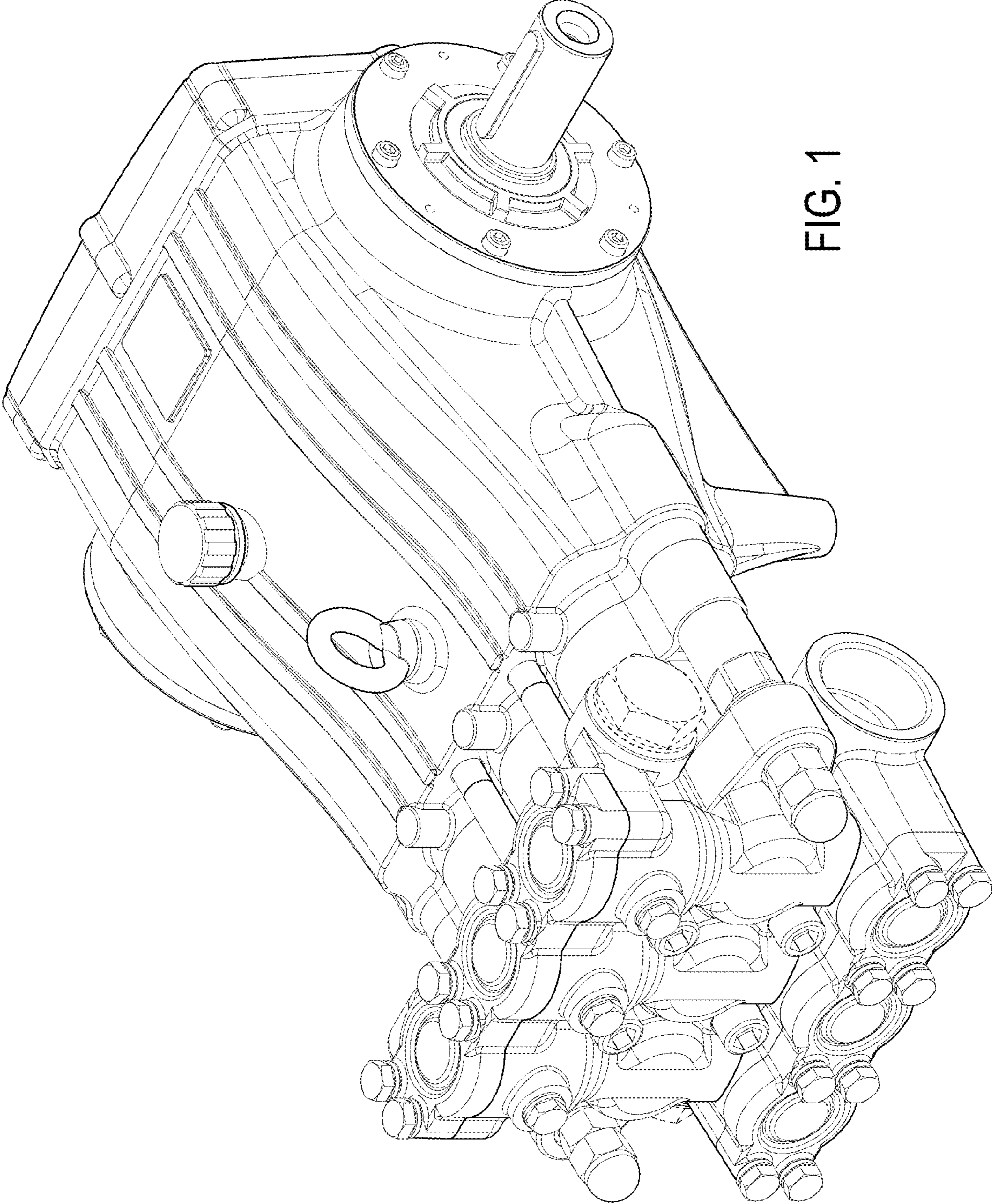


FIG. 1

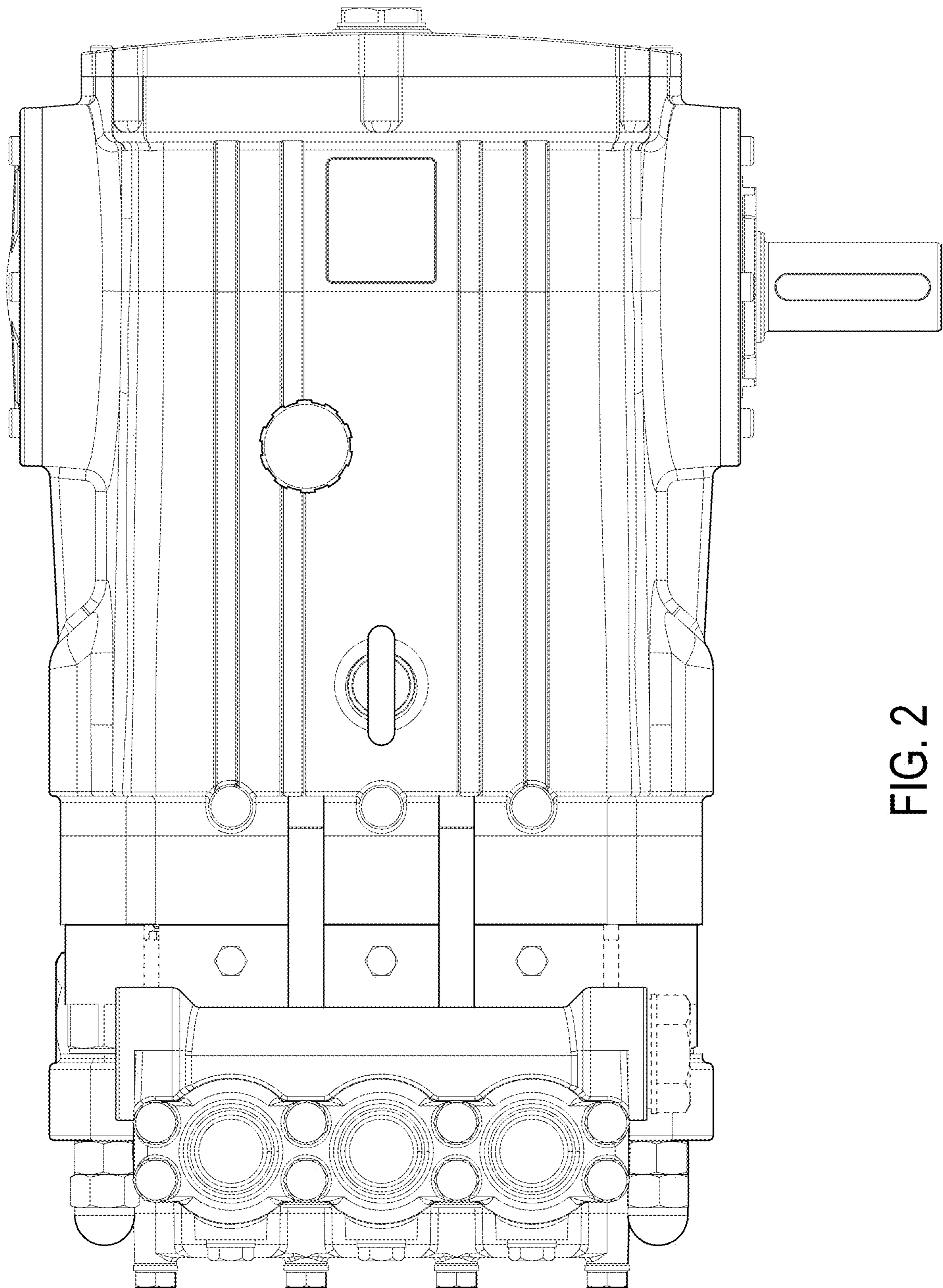


FIG. 2

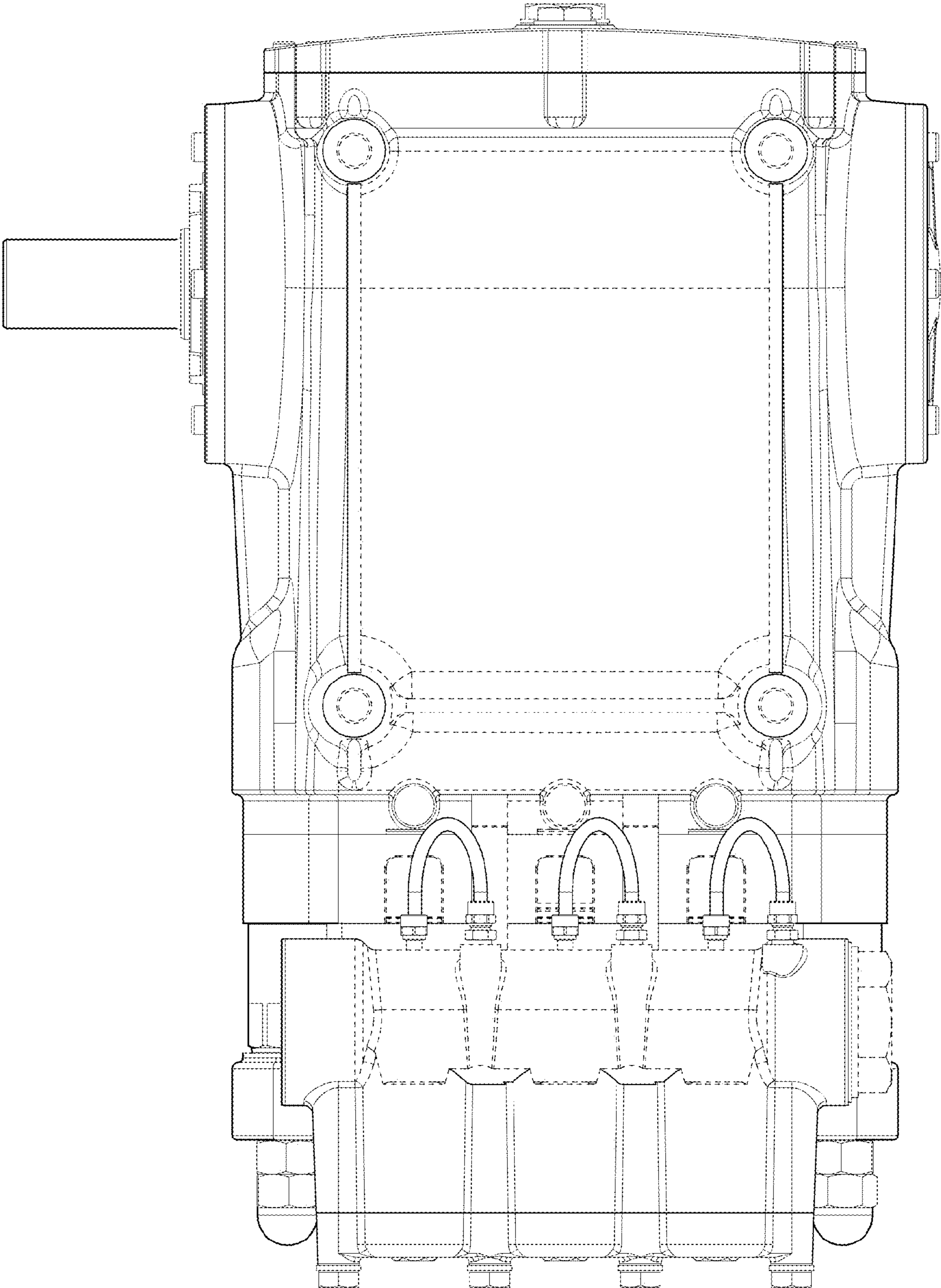


FIG. 3

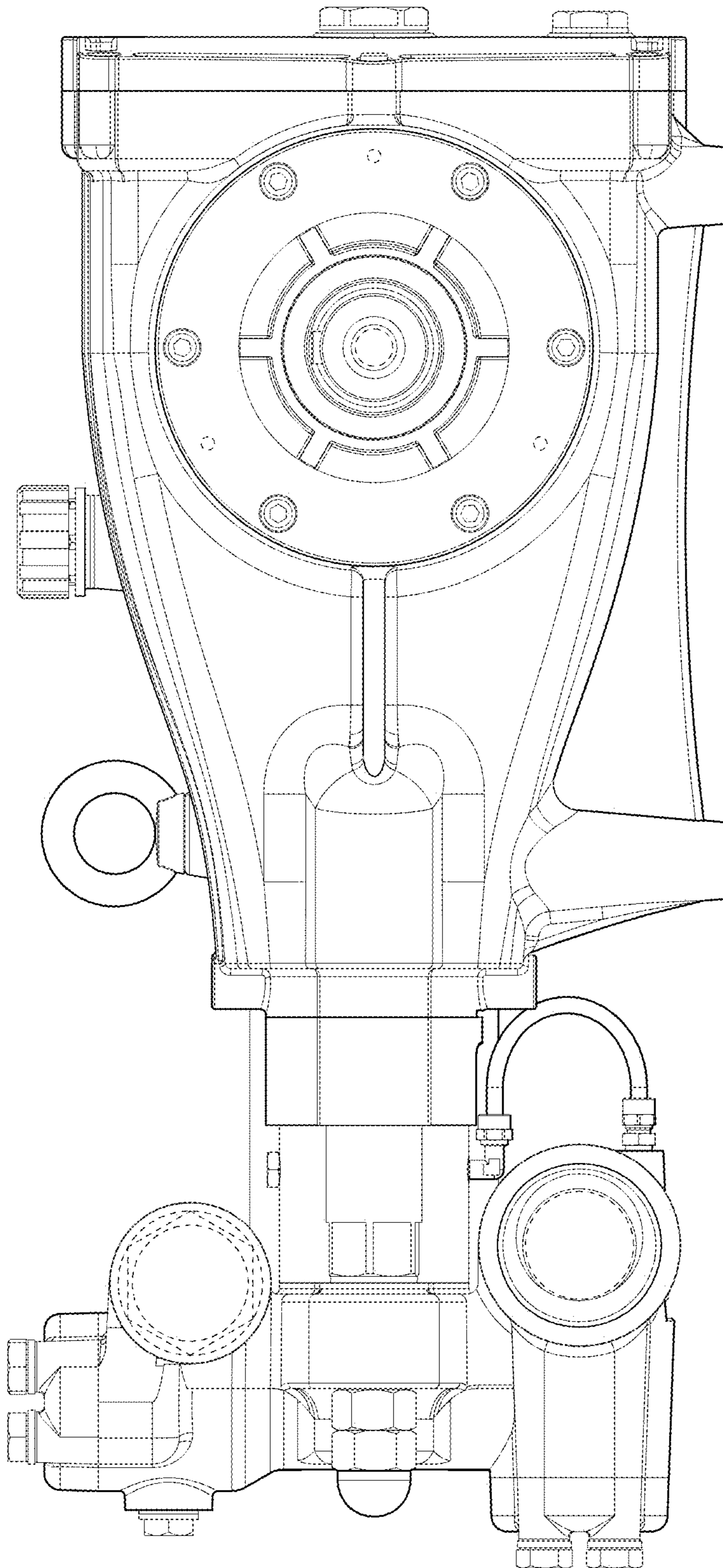


FIG. 4

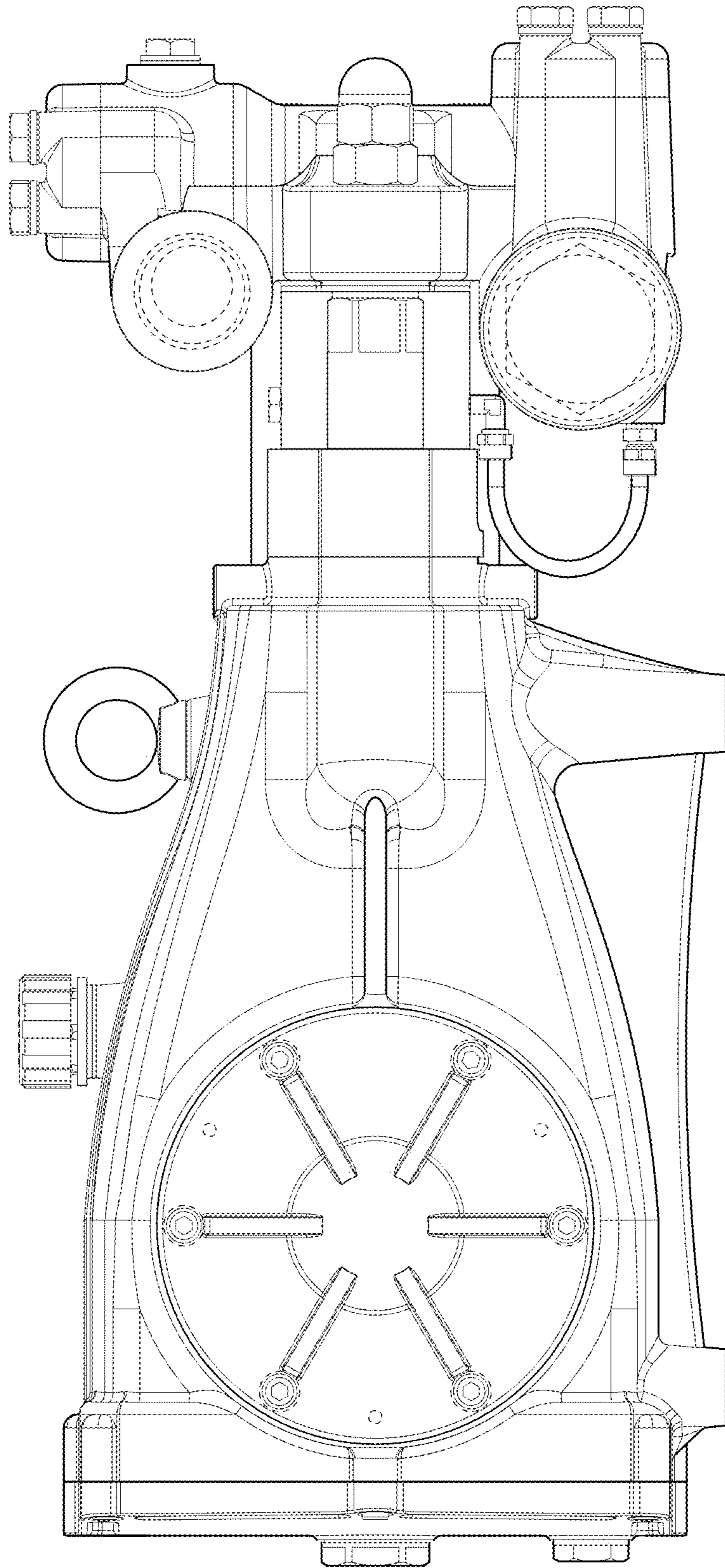


FIG. 5

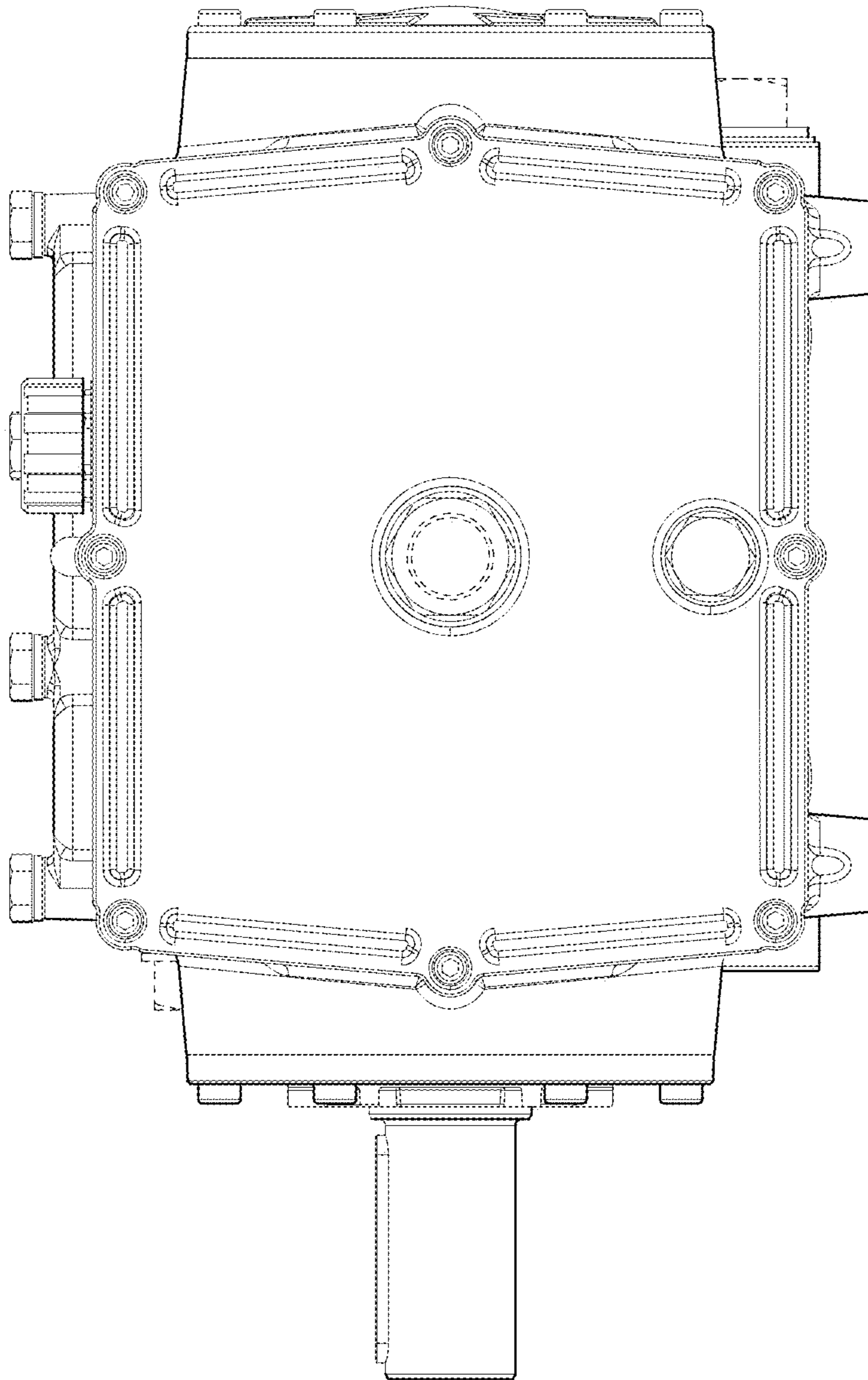


FIG. 6

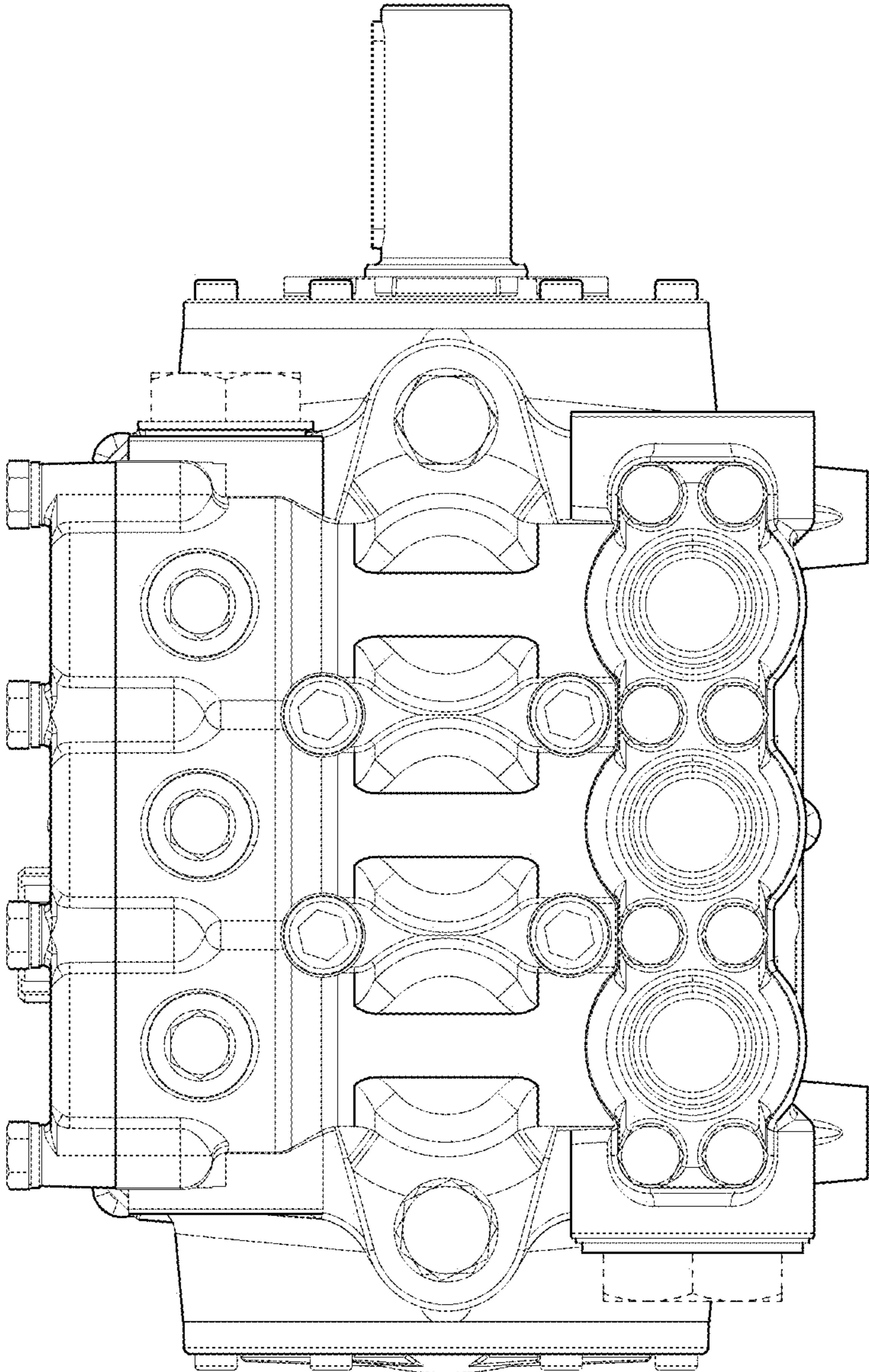


FIG. 7