



US00D932511S

(12) **United States Design Patent**
Alt et al.

(10) **Patent No.:** **US D932,511 S**
(45) **Date of Patent:** **** Oct. 5, 2021**

(54) **DISPLAY SCREEN OR PORTION THEREOF WITH ANIMATED ICON PROVIDING A MEASUREMENT VALUE DISPLAY**

FOREIGN PATENT DOCUMENTS

CN 304821549 * 9/2018
CN 306175428 * 11/2020

(Continued)

(71) Applicant: **WEISS TECHNIK GMBH**,
Reiskirchen (DE)

OTHER PUBLICATIONS

(72) Inventors: **Patrick Alt**, Saarbrücken (DE); **Lisa Foellinger**, Saarbrücken (DE)

Smart Home Automation Nest Thermostat @0:31, announced Sep. 3, 2014 [online]. [site visited Dec. 15, 2017]. Available from Internet, URL: <https://www.youtube.com/watch?v=CptFqsUY_6U>.*

(Continued)

(73) Assignee: **WEISS TECHNIK GMBH**,
Reiskirchen (DE)

(**) Term: **15 Years**

Primary Examiner — Dana K Weiland

(21) Appl. No.: **35/502,286**

(74) *Attorney, Agent, or Firm* — Quarles & Brady LLP

(22) Filed: **Nov. 25, 2016**

(57) **CLAIM**

The ornamental design for a display screen or portion thereof with animated icon providing a measurement value display, as shown and described.

(80) **Hague Agreement Data**

Int. Filing Date: **Nov. 25, 2016**
Int. Reg. No.: **DM/094077**
Int. Reg. Date: **Nov. 25, 2016**
Int. Reg. Pub. Date: **Jan. 13, 2017**

DESCRIPTION

(30) **Foreign Application Priority Data**

May 25, 2016 (EP) 003152529

The patent or application file contains at least one drawing executed in color. Copies of this patent or patent application publication with color drawing(s) will be provided by the Office upon request and payment of the necessary fee.

(51) **LOC (13) Cl.** **14-04**

(52) **U.S. Cl.**
USPC **D14/486**

(58) **Field of Classification Search**
USPC D14/485-495

- 1.1 : is a first image in a sequence of a display screen or portion thereof with animated icon providing a measurement value display showing our new design in a first embodiment;
- 1.2 : is a front view of a second image thereof;
- 1.3 : is a front view of a third image thereof;
- 1.4 : is a front view of a fourth image thereof;
- 1.5 : is a front view of a fifth image thereof;
- 1.6 : is a front view of a sixth image thereof;
- 1.7: is a front view of a seventh image thereof;
- 2.1 : is a first image in a sequence of the display screen or portion thereof with animated icon providing a measurement value display showing our new design in a second embodiment;
- 2.2 : is a front view of a second image thereof;
- 2.3 : is a front view of a third image thereof;
- 2.4: is a front view of a fourth image thereof;

(Continued)

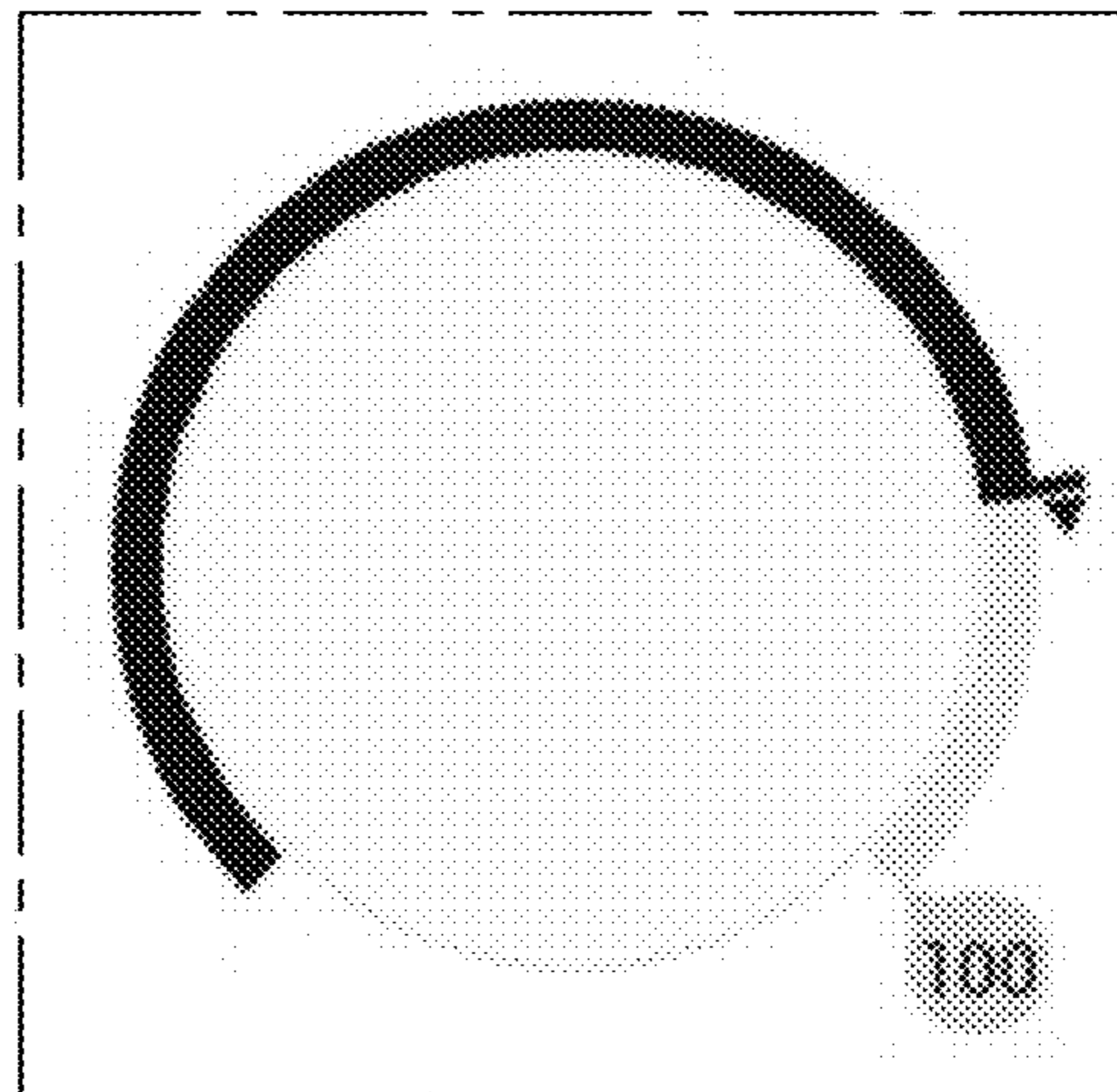
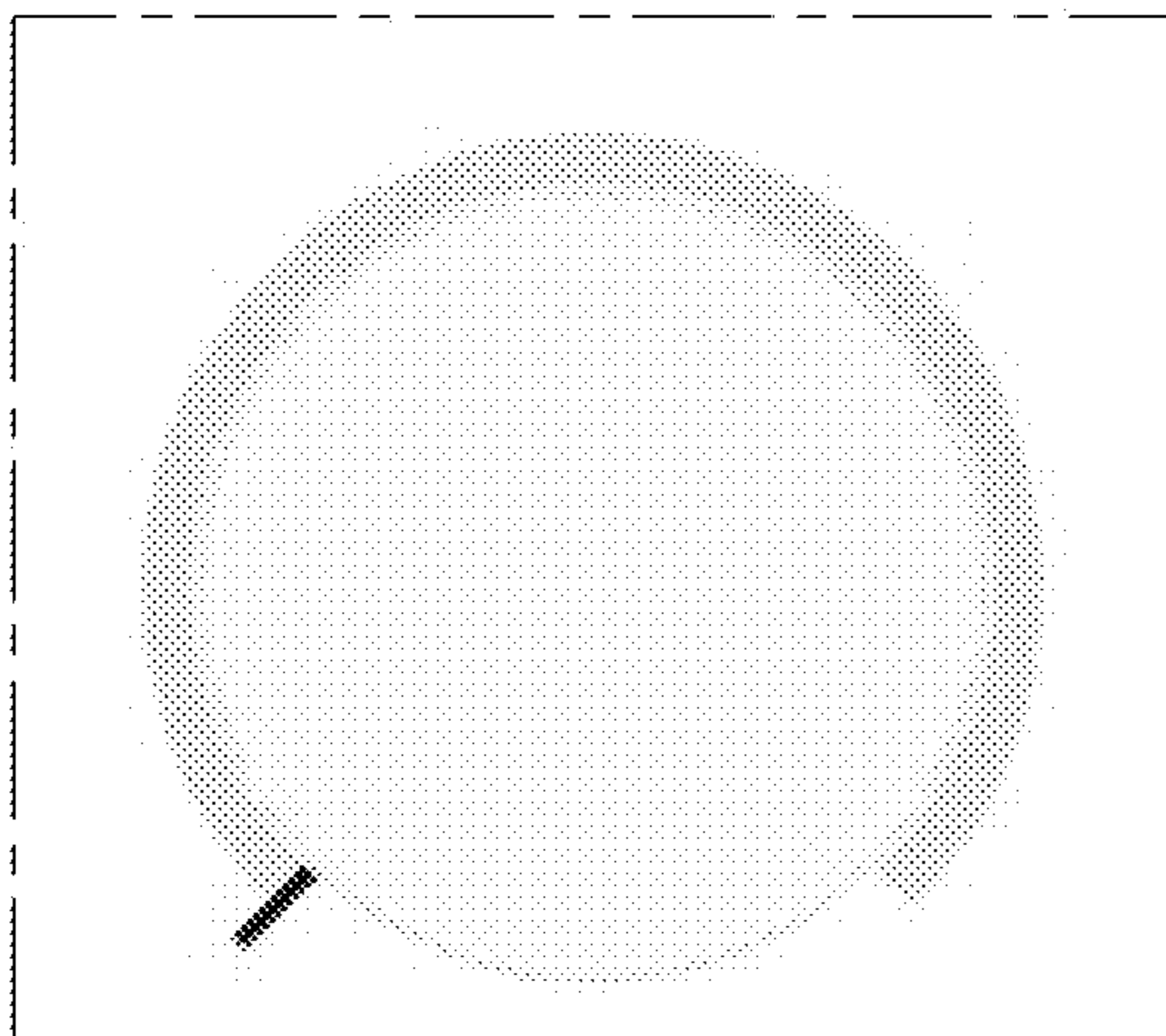
(56) **References Cited**

U.S. PATENT DOCUMENTS

9,210,056 B1 * 12/2015 Choudhary G06F 17/30864
9,353,965 B1 * 5/2016 Goyal F24F 11/0086

(Continued)

(Continued)



2.5 : is a front view of a fifth image thereof;
 2.6 : is a front view of a sixth image thereof;
 2.7: is a front view of a seventh image thereof;

The appearance of the transitional image sequentially transitions between the images shown in 1.1-1.7 and 2.1-2.7. The process or period in which one image transitions to another image forms no part of the claimed design. No ornamental aspects are associated with the process or period in which one image transitions to another image. The broken line showing a display screen depicts environmental structure that forms no part of the claimed design.

**1 Claim, 14 Drawing Sheets
 (12 of 14 Drawing Sheet(s) Filed in Color)**

(58) **Field of Classification Search**

CPC H04L 41/22; H04L 12/282; H04L 67/025;
 B60H 1/00; G06F 3/04847; G06F 1/1692;
 G06F 3/0484; G06F 3/0482; G06F
 2203/04807; G11B 19/025; G11B 19/027;
 G05B 19/418; H04N 1/00408-1/00437;
 H04M 1/2477

See application file for complete search history.

(56) **References Cited**

U.S. PATENT DOCUMENTS

D771,103	S	*	11/2016	Eder	D14/486
D775,658	S	*	1/2017	Luo	D14/488
D783,672	S	*	4/2017	Rajasankar	D14/488
D785,658	S	*	5/2017	Moroney	D14/486
D786,278	S	*	5/2017	Motamedi	D14/485
D786,898	S	*	5/2017	Hall	D14/486
D788,165	S	*	5/2017	Bunyard	D14/489
D795,906	S	*	8/2017	Butrick	D14/486
D797,800	S	*	9/2017	Tsukahara	D14/488
D801,359	S	*	10/2017	Jungmann	D14/486
D802,611	S	*	11/2017	Mangold	D14/486
D803,233	S	*	11/2017	Wilberding	D14/485
D803,234	S	*	11/2017	Day	D14/485
D803,251	S	*	11/2017	Eriksson	D14/486
D805,098	S	*	12/2017	Tsukahara	D14/488
D812,097	S	*	3/2018	Seo	D14/491
D813,268	S	*	3/2018	Cabrera, Jr.	D14/489
D831,070	S	*	10/2018	Doti	D14/491
D832,886	S	*	11/2018	Cros	D14/489
D857,749	S	*	8/2019	Brinker	D14/492
D861,725	S	*	10/2019	Park	D14/491
D869,477	S	*	12/2019	Yoon	D14/485
D870,771	S	*	12/2019	Butcher	D14/489
D872,737	S	*	1/2020	Ressel	D14/485
D872,744	S	*	1/2020	Kim	D14/485

D884,007	S	*	5/2020	Uppala	D14/486
D888,079	S	*	6/2020	Lee	D14/485
D888,732	S	*	6/2020	Momchilov H04L 63/0853	D14/485
D892,823	S	*	8/2020	Butcher	D14/485
D905,074	S	*	12/2020	Lin	D14/485
D905,100	S	*	12/2020	Watanabe	D14/489
D915,460	S	*	4/2021	Mariet	D14/489
D916,864	S	*	4/2021	Cui	D14/488
D916,876	S	*	4/2021	Elia	D14/488
D916,888	S	*	4/2021	Kim	D14/489
D916,896	S	*	4/2021	Ikuye	D14/489
D917,503	S	*	4/2021	Sakurai	D14/485
D918,230	S	*	5/2021	Lee	D14/485
2010/0023865	A1	*	1/2010	Fulker G06F 3/04817	715/734
2014/0245161	A1	*	8/2014	Yuen G06F 3/011	715/736
2014/0282261	A1	*	9/2014	Ranz G06F 3/0482	715/838
2015/0106726	A1	*	4/2015	Nagasaki G06F 3/04842	715/739
2015/0128050	A1	*	5/2015	Cormican H04N 21/4143	715/734
2015/0331589	A1	*	11/2015	Kawakita G06F 1/163	715/834
2016/0028605	A1	*	1/2016	Gil H04W 4/006	709/213
2016/0105338	A1	*	4/2016	Fletcher H04L 43/16	709/224
2016/0188152	A1	*	6/2016	Chou G06F 3/0488	345/173
2017/0185278	A1	*	6/2017	Sundermeyer G06F 3/04847	
2017/0274267	A1	*	9/2017	Blahnik A63B 24/0062	
2017/0294861	A1	*	10/2017	Iwahashi H02P 27/06	
2017/0344243	A1	*	11/2017	Fadell G01R 31/26	
2017/0357317	A1	*	12/2017	Chaudhri G06F 3/016	

FOREIGN PATENT DOCUMENTS

CN	306268828	*	1/2021		
CN	306531697	*	5/2021		

OTHER PUBLICATIONS

Operating manual, revised publication Jul. 2018 [online]. [retrieved May 28, 2021]. Available from internet, URL: <https://backend.weiss-technik.com/webapp/weisstech/multimedia-center/operating-manual/WS_en_2018.07_Rev.6_64636655.pdf> (Year: 2018).*

Touch Controls, announced 2021 [online], [retrieved May 28, 2021]. Available from internet, URL: <<https://developers.google.com/assistant/smarthome/develop/touch-controls>> (Year: 2021).*

Thermostat, screen capture 2021, no publication date available [online]. [retrieved May 28, 2021], Available from internet, URL: <<https://dribbble.com/search/thermostat>> (Year: 2021).*

* cited by examiner

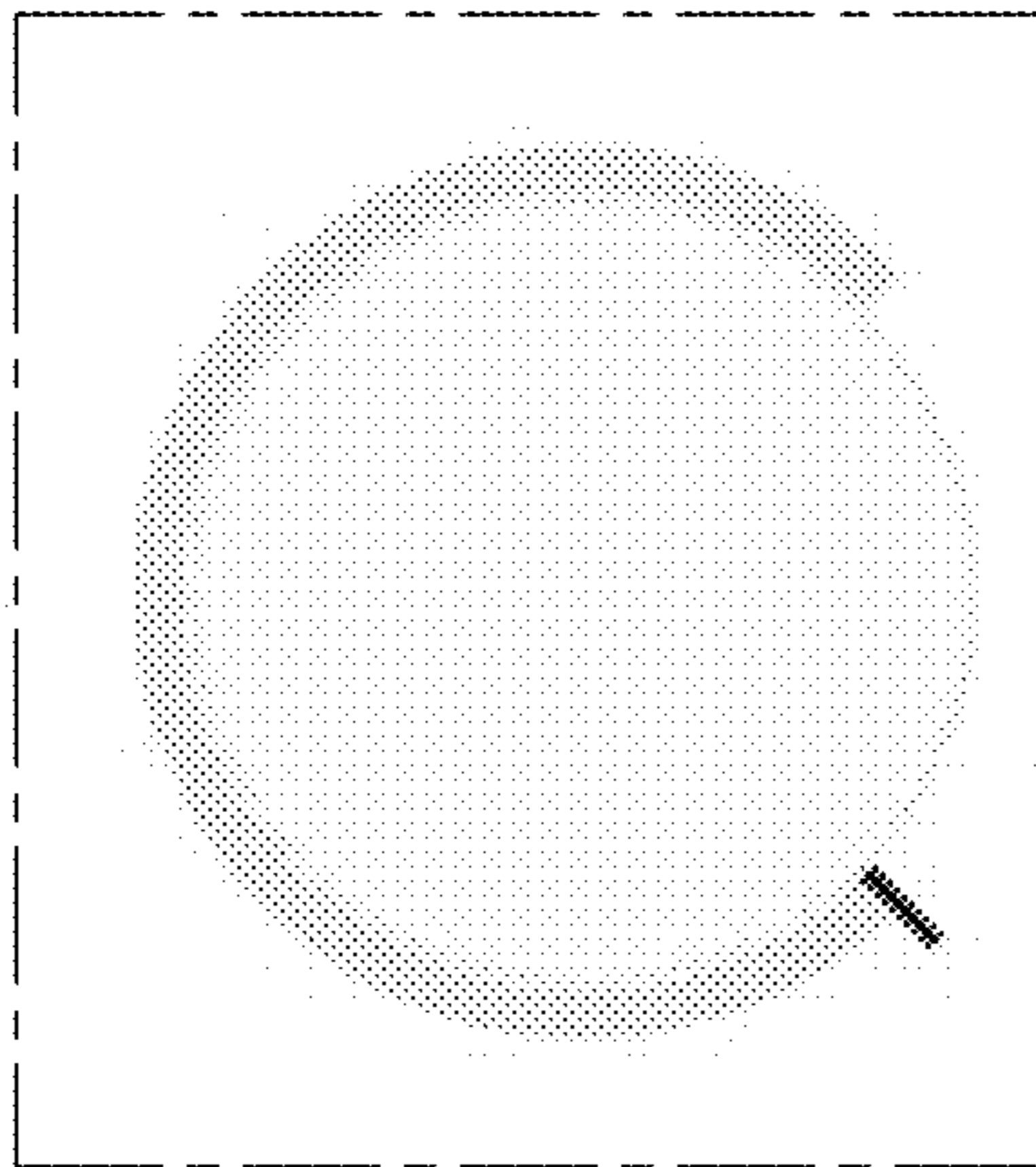


FIG. 1.1

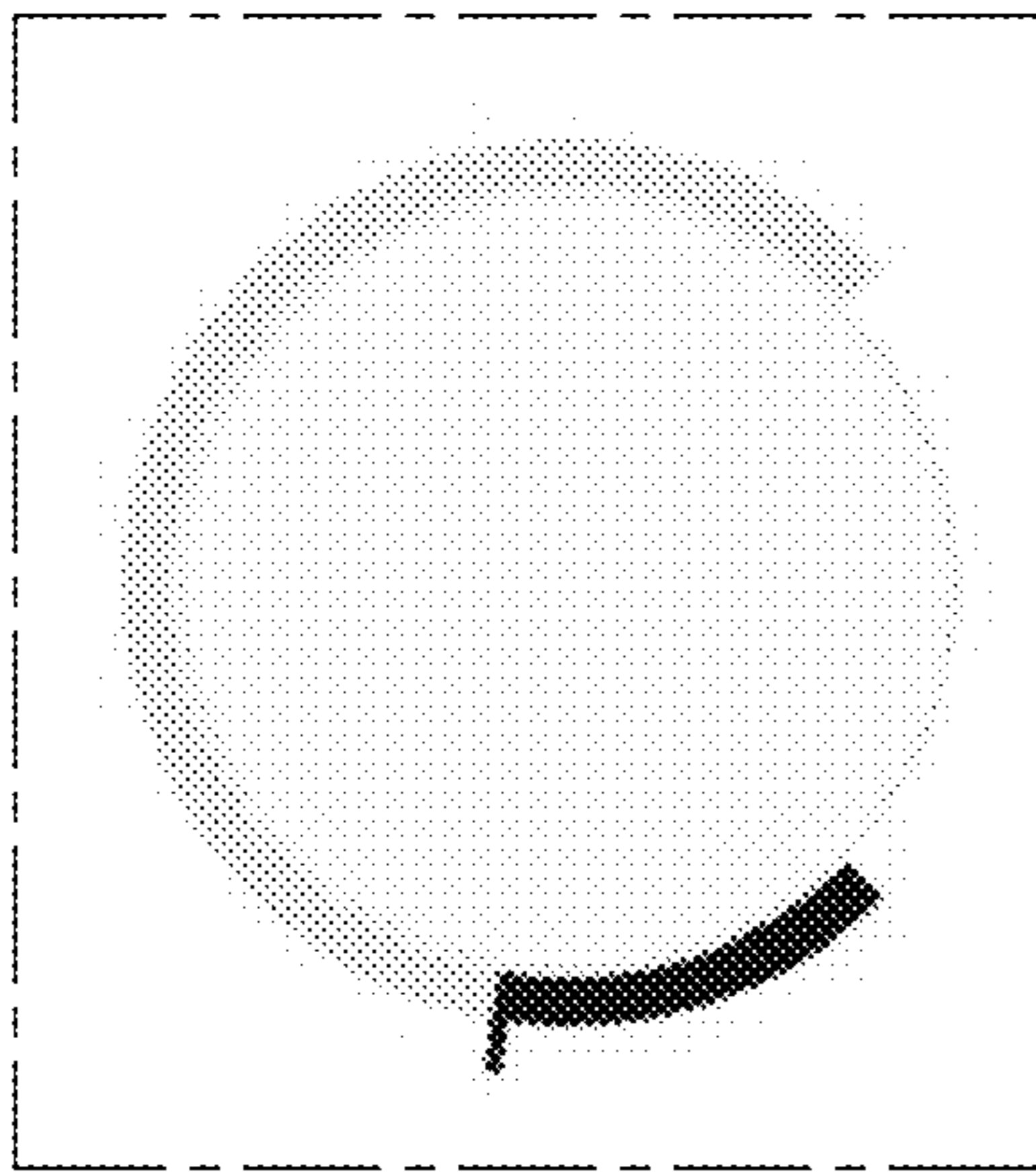


FIG. 1.2

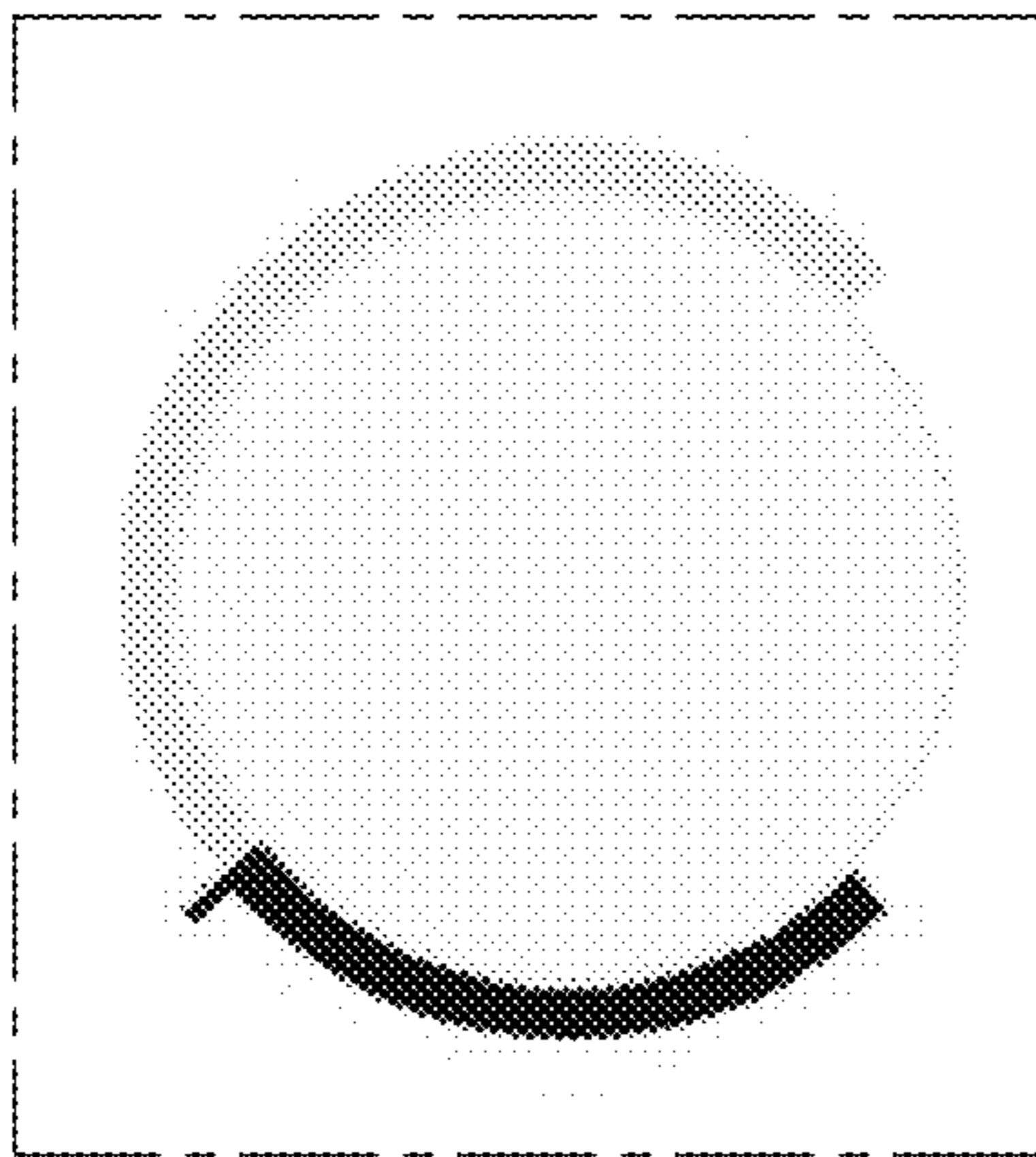


FIG. 1.3

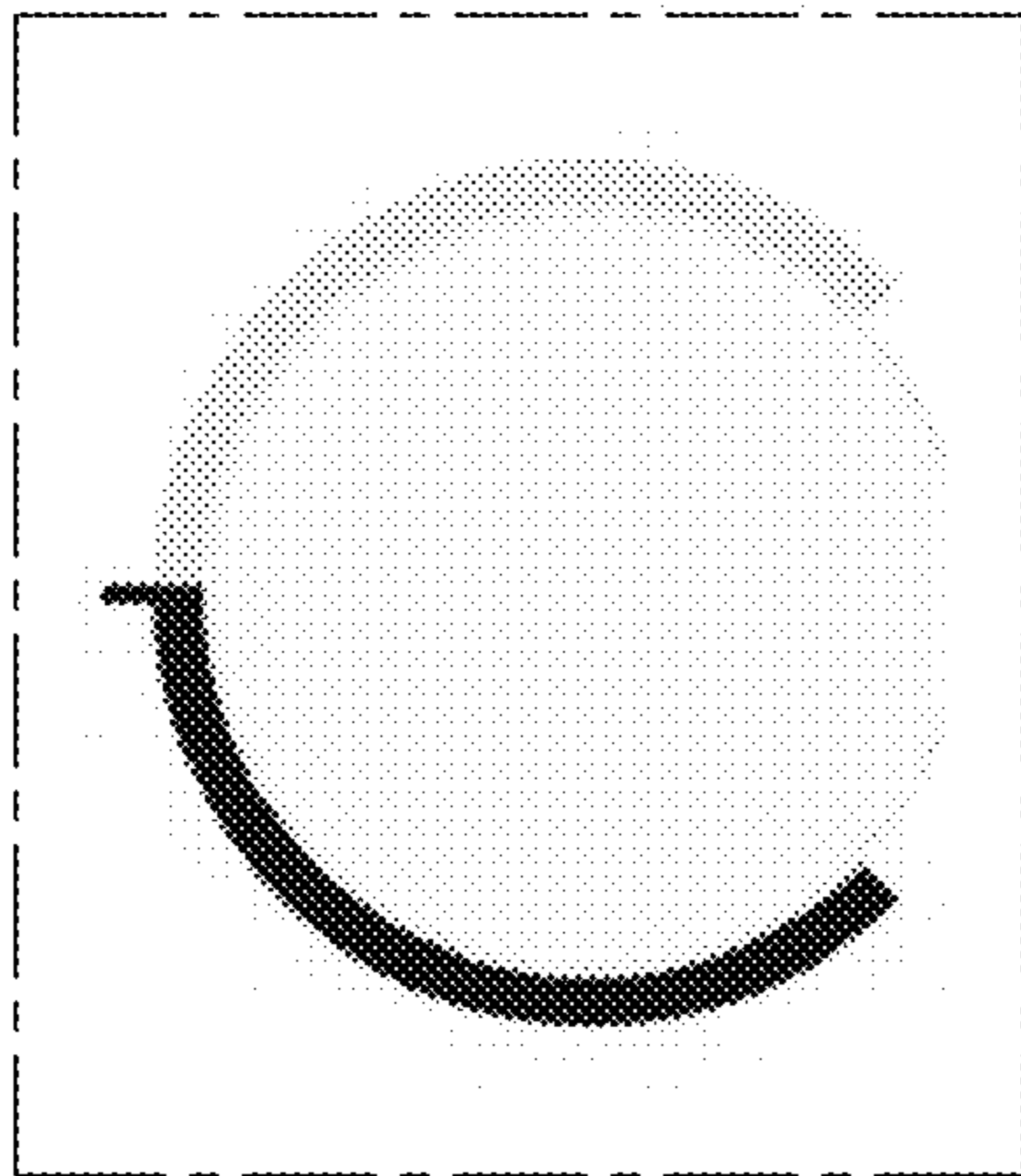


FIG. 1.4

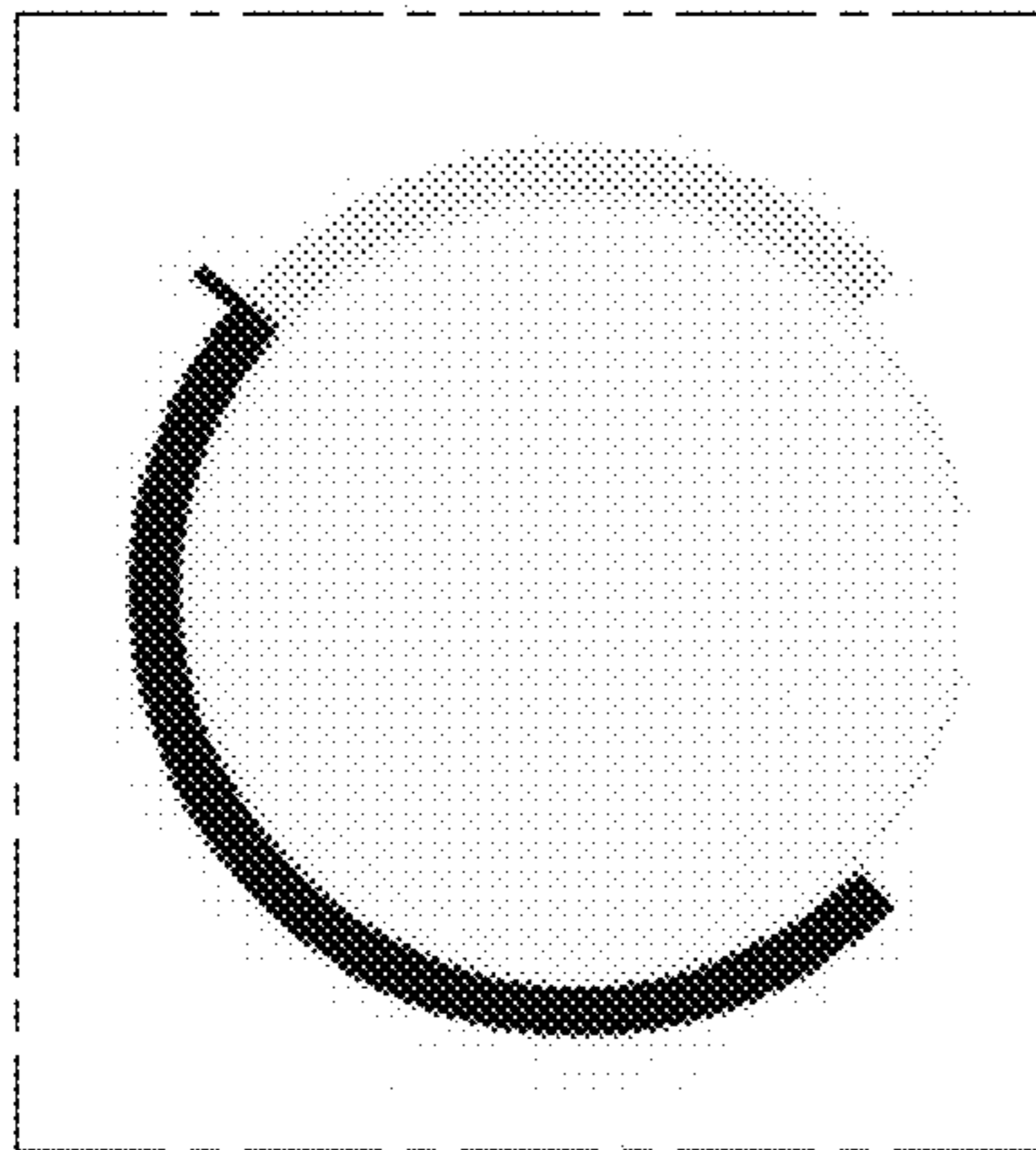


FIG. 1.5

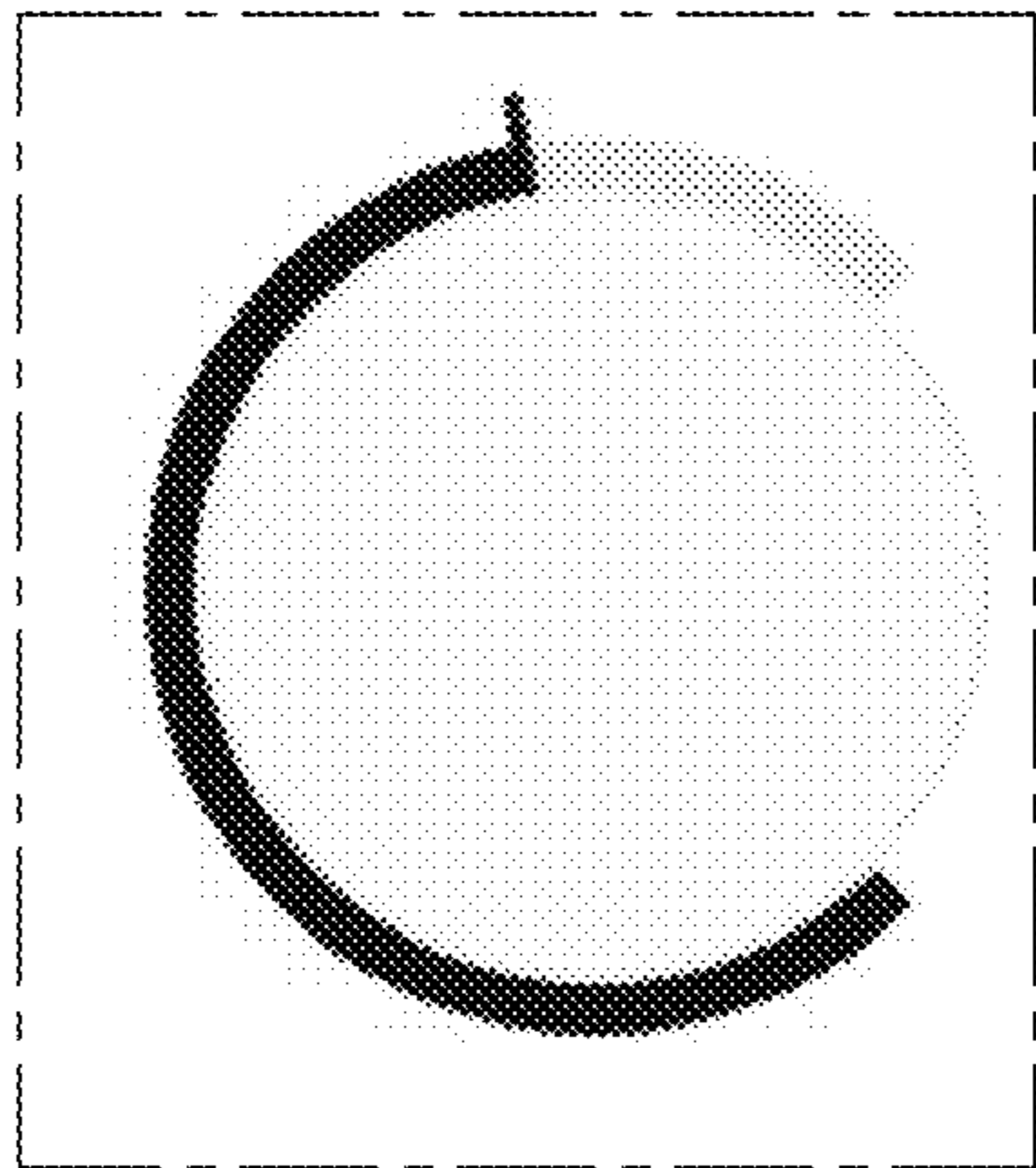


FIG. 1.6

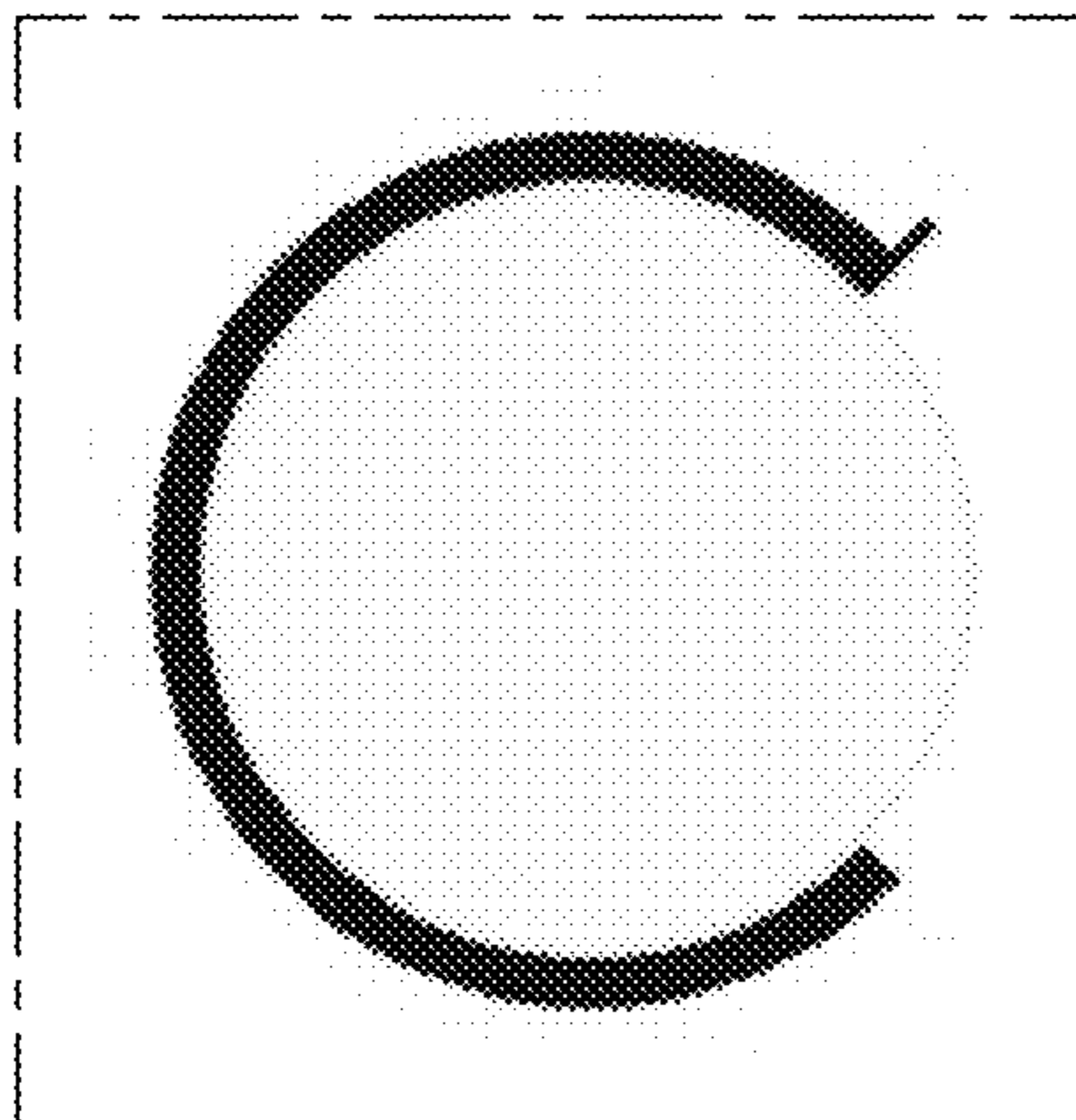


FIG. 1.7

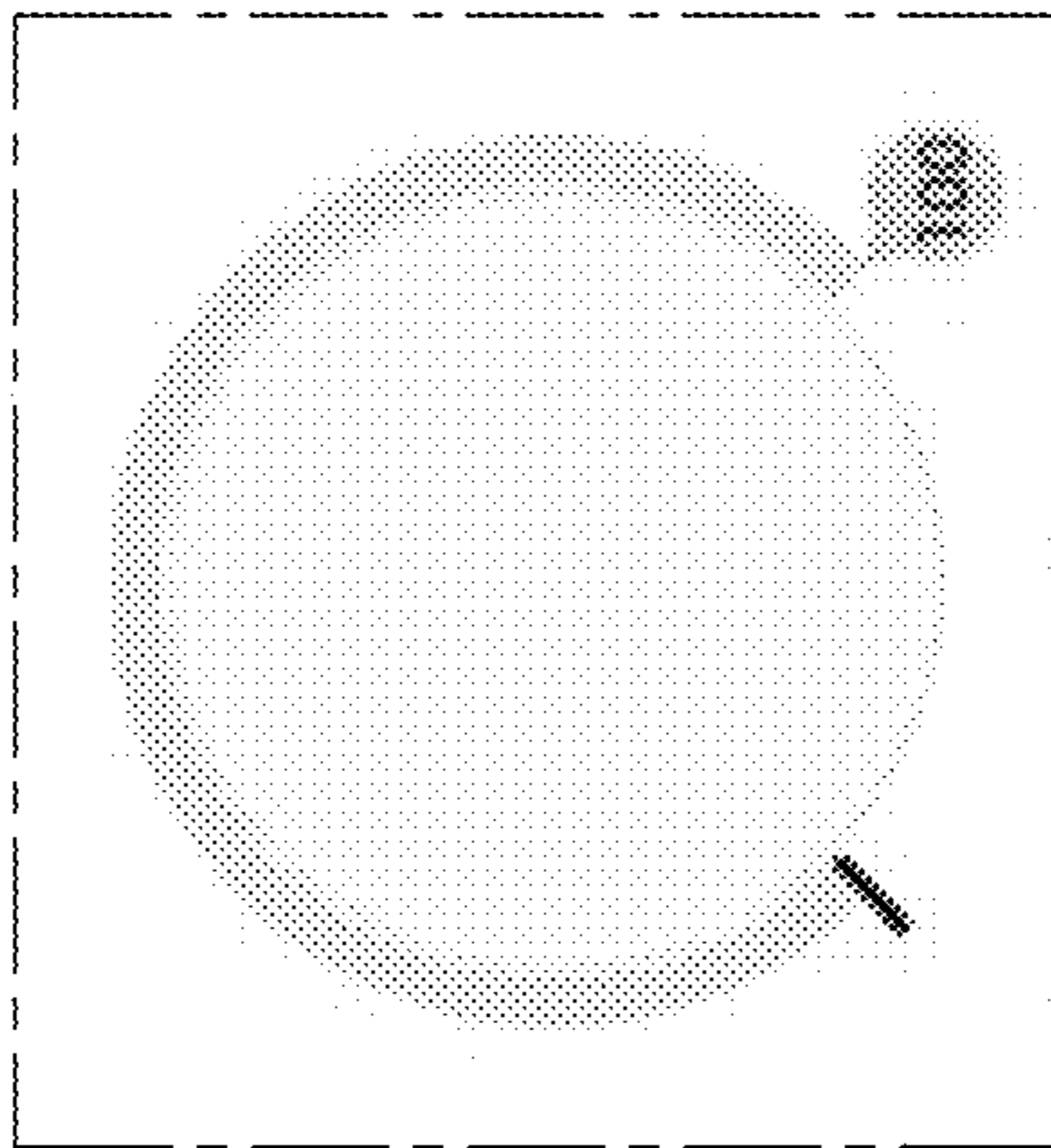


FIG. 2.1

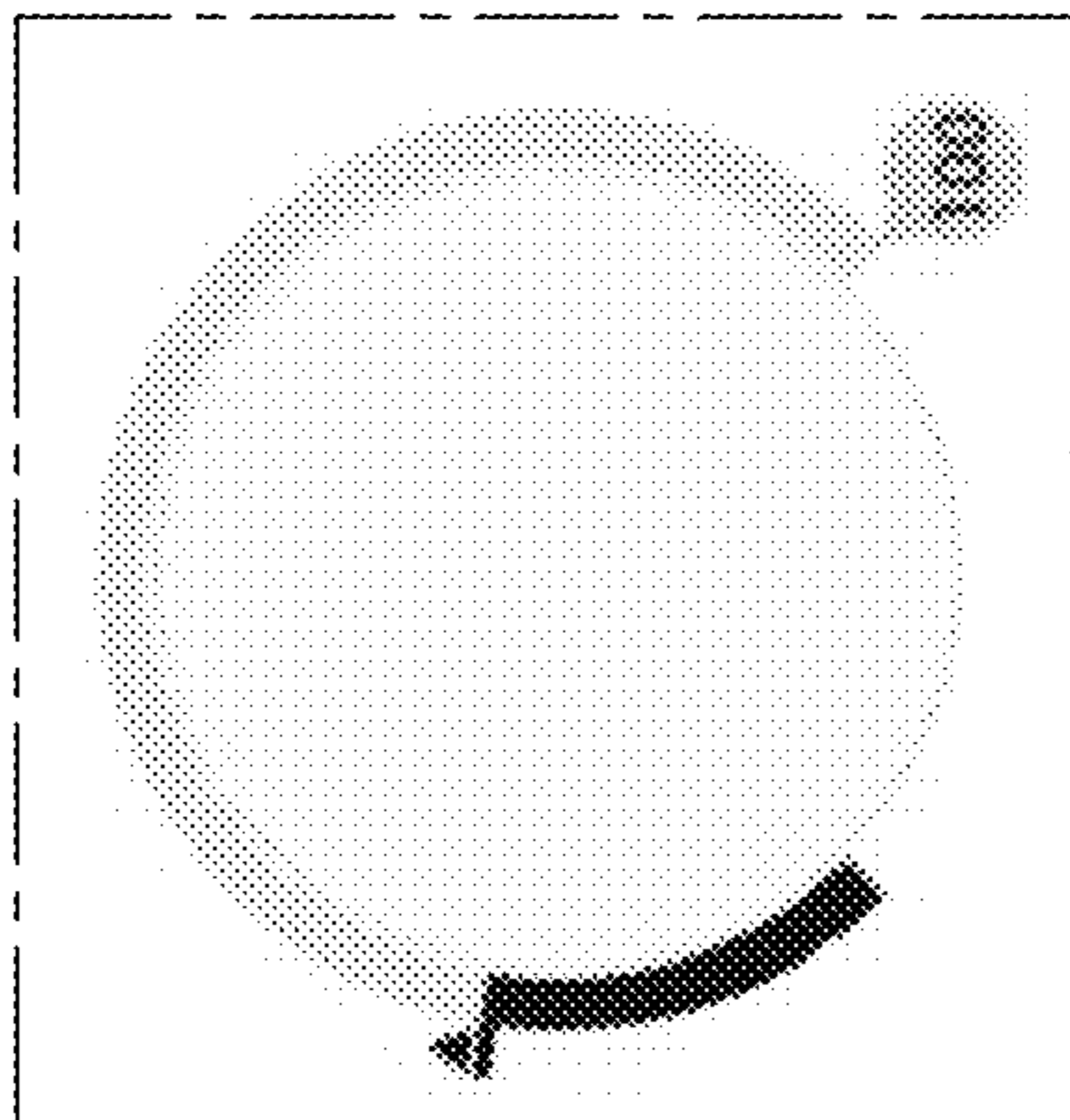


FIG. 2.2

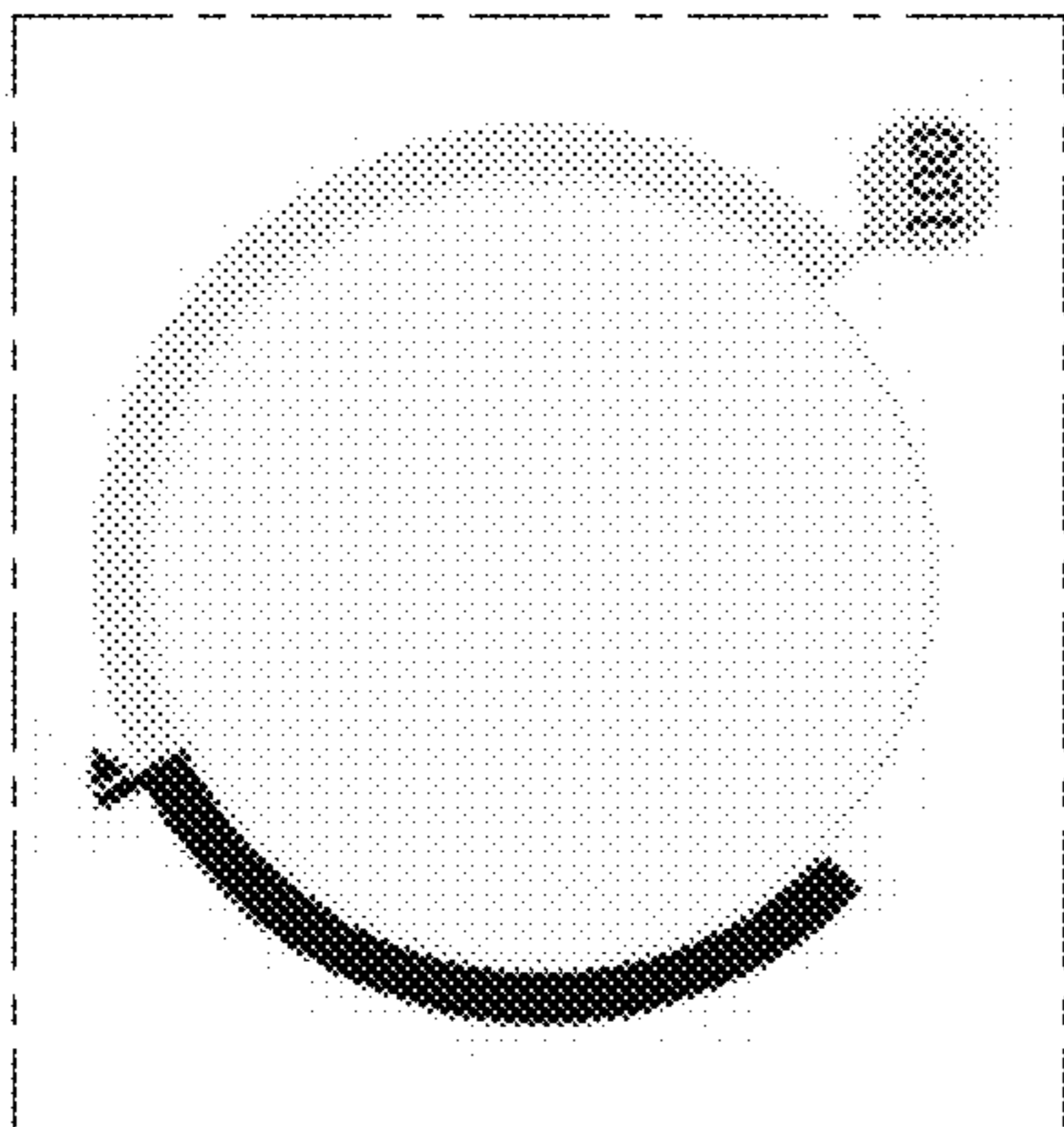


FIG. 2.3

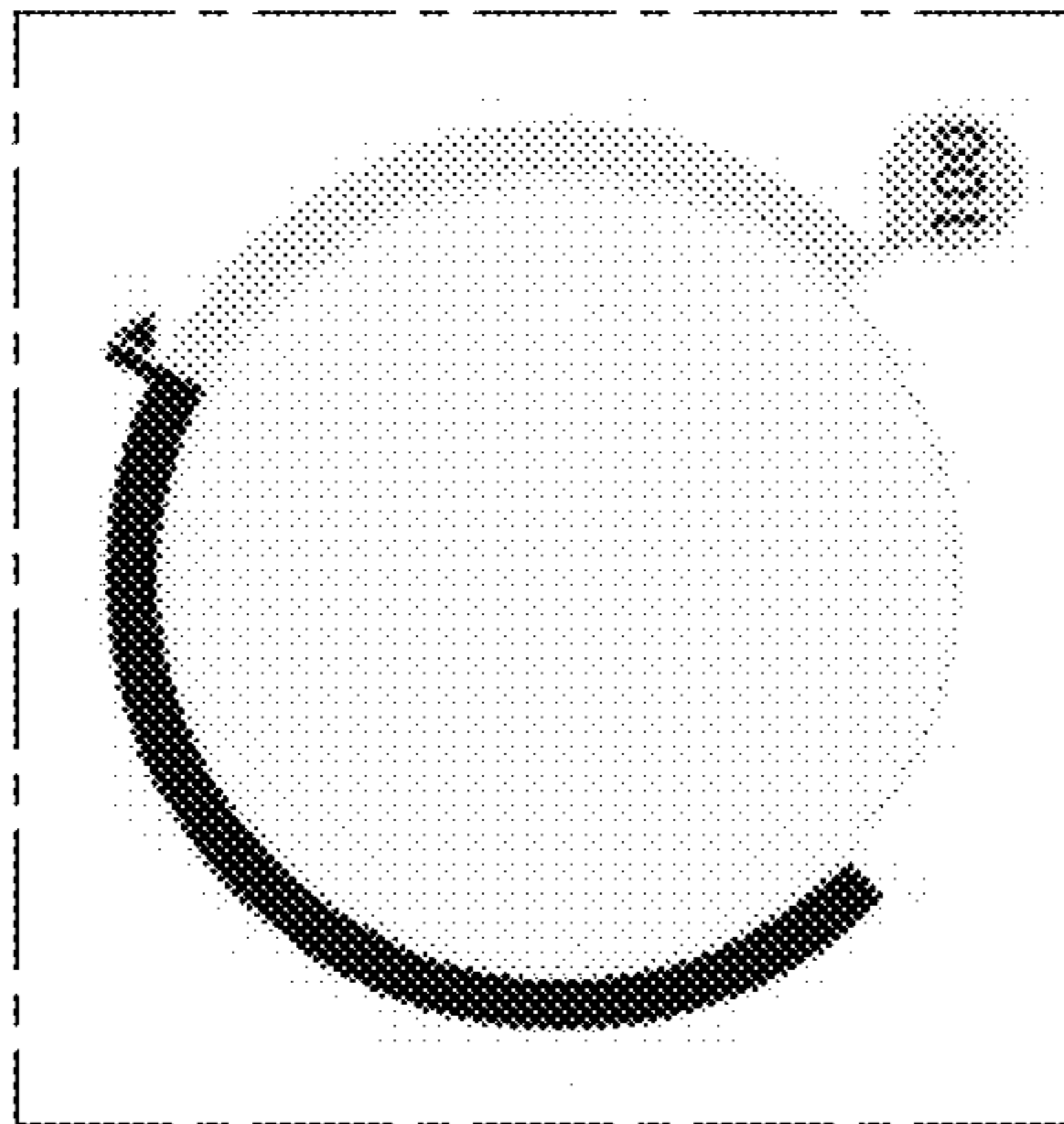


FIG. 2.4

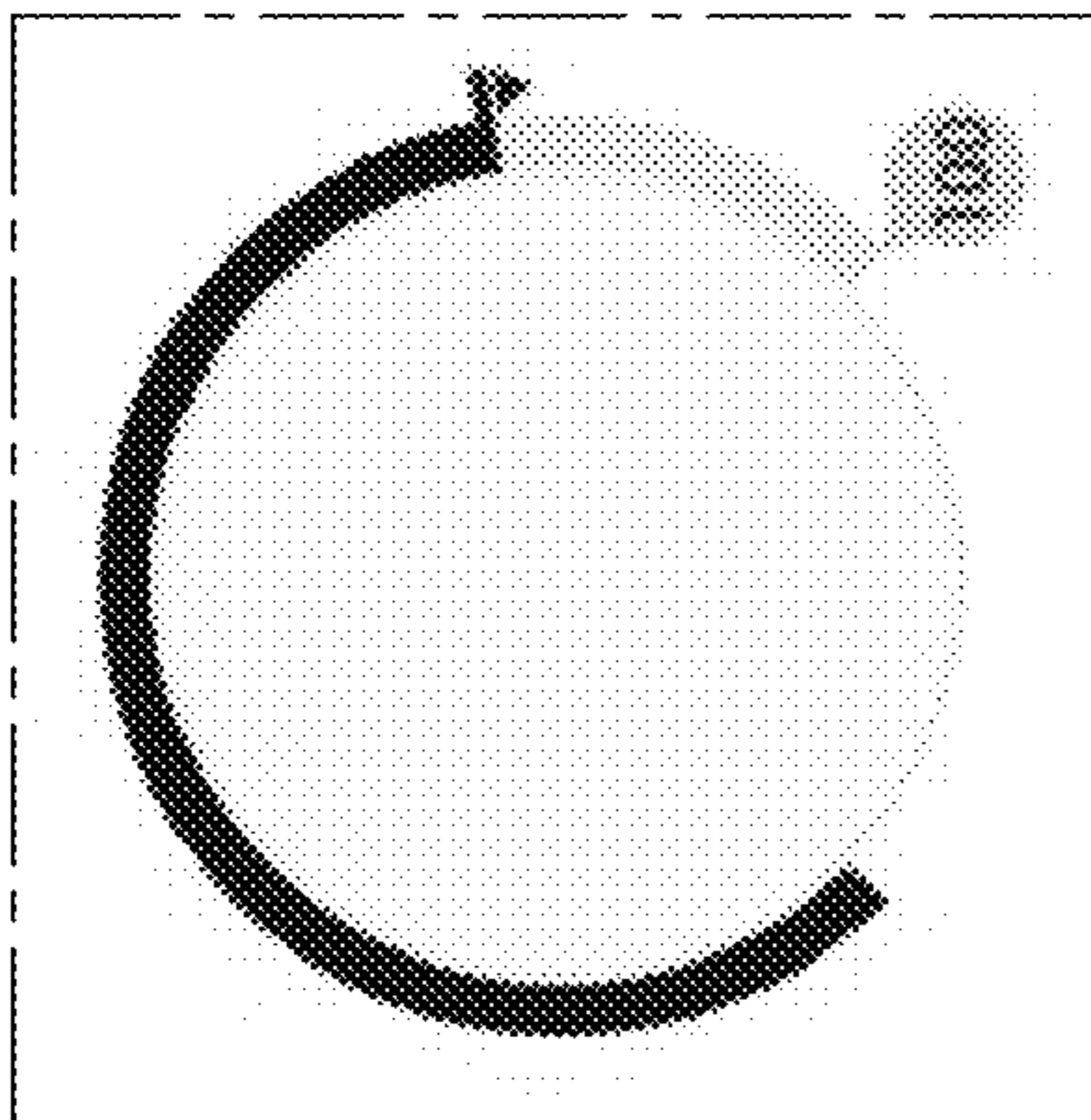


FIG. 2.5

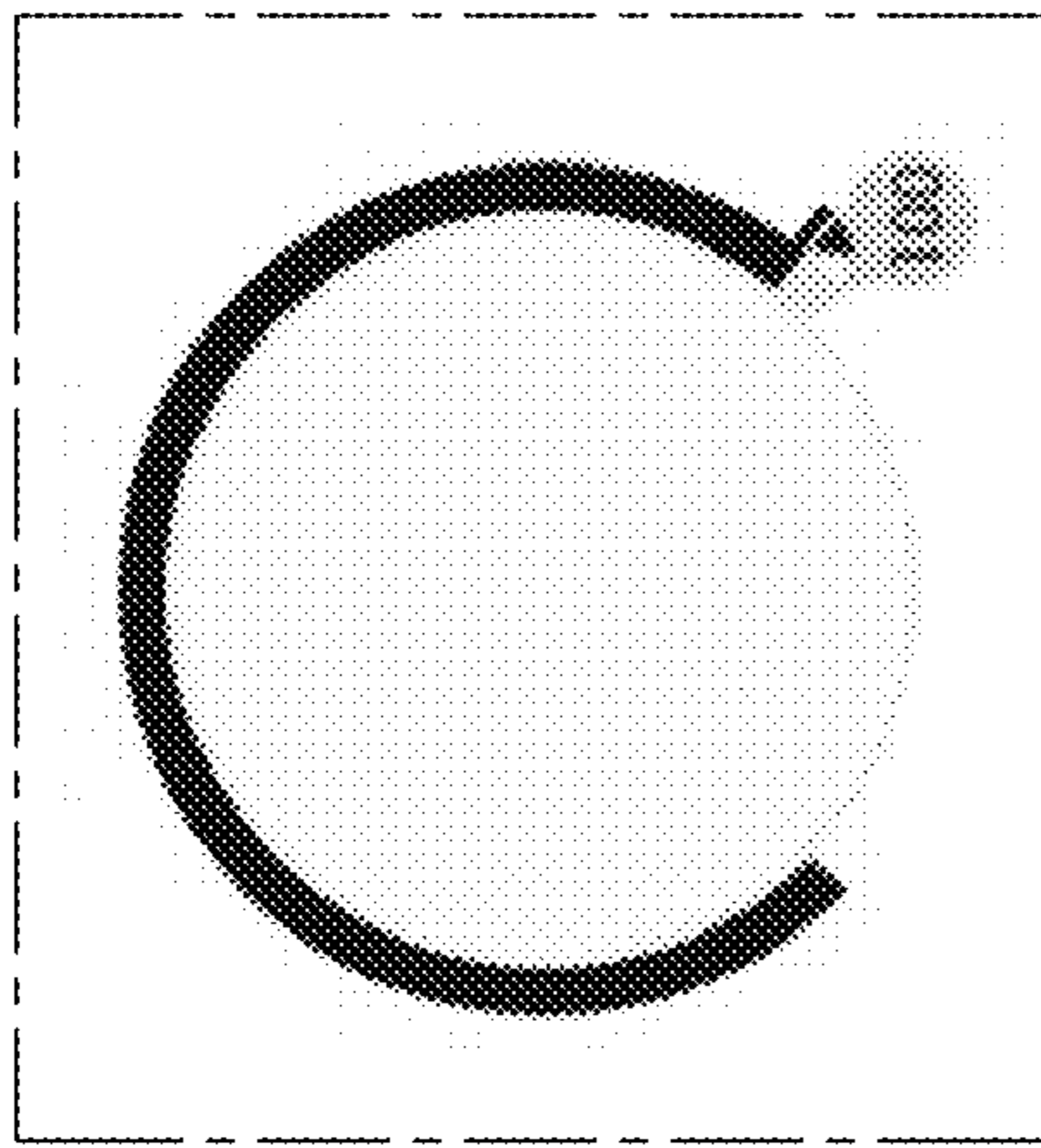


FIG. 2.6

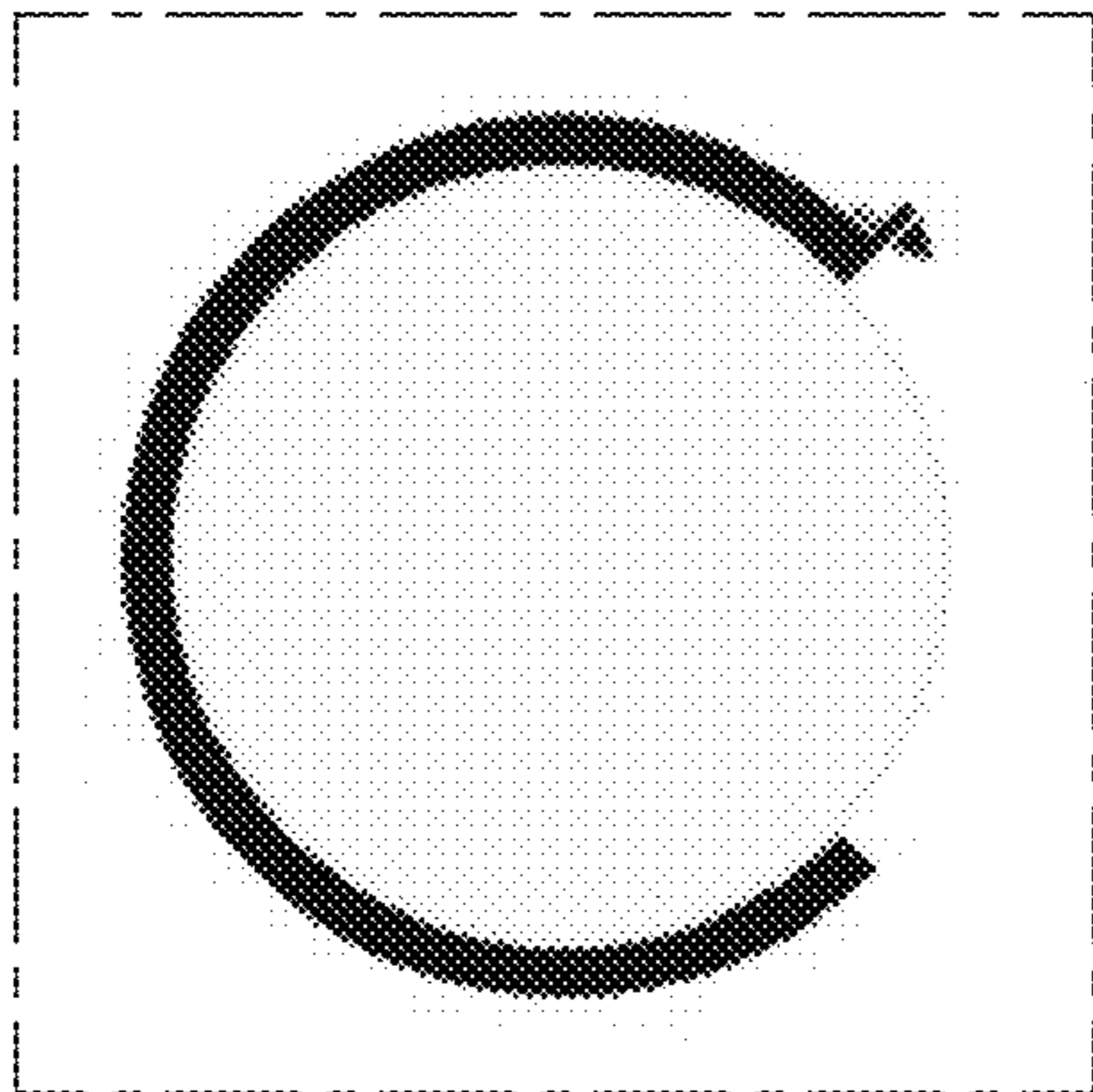


FIG. 2.7