



US00D932499S

(12) **United States Design Patent** (10) **Patent No.:** **US D932,499 S**  
**Lu** (45) **Date of Patent:** **\*\* Oct. 5, 2021**

(54) **DISPLAY MOUNT**

(71) Applicant: **SHENZHEN PRIME TECHNOLOGY CO., LTD**, Shenzhen (CN)

(72) Inventor: **Chengan Lu**, Shenzhen (CN)

(73) Assignee: **SHENZHEN PRIME TECHNOLOGY CO., LTD**, Shenzhen (CN)

(\*\*) Term: **15 Years**

(21) Appl. No.: **29/753,073**

(22) Filed: **Sep. 30, 2020**

(51) **LOC (13) Cl.** ..... **14-03**

(52) **U.S. Cl.**  
USPC ..... **D14/452**; D14/238

(58) **Field of Classification Search**  
USPC ..... D8/354, 349, 355, 363, 373, 380, 387, D8/388, 389; D20/22, 27, 42, 43; D14/452, 451, 448, 239, 447  
CPC ..... H05K 5/0204; H05K 7/14; F16M 13/02; H04N 5/655; H04N 5/64; G06F 1/1601; G06F 1/16; A45F 5/00; A45F 5/021; A45F 2200/0516; A45F 2200/0508; A45F 2200/0525

See application file for complete search history.

(56) **References Cited**

**U.S. PATENT DOCUMENTS**

|              |        |           |       |         |
|--------------|--------|-----------|-------|---------|
| D539,123 S * | 3/2007 | Ly Hau    | ..... | D8/363  |
| D543,210 S * | 5/2007 | Stenhouse | ..... | D14/452 |
| D558,562 S * | 1/2008 | Ciungan   | ..... | D14/452 |
| D587,716 S * | 3/2009 | Hau       | ..... | D14/239 |
| D623,654 S * | 9/2010 | Hau       | ..... | D14/452 |
| D660,844 S * | 5/2012 | Kaluza    | ..... | D14/452 |

|                   |        |         |       |                        |
|-------------------|--------|---------|-------|------------------------|
| RE45,646 E *      | 8/2015 | Ciungan | ..... | D8/363                 |
| D816,646 S *      | 5/2018 | Pei     | ..... | D14/239                |
| D822,011 S *      | 7/2018 | Namala  | ..... | D14/239                |
| D842,284 S *      | 3/2019 | Pei     | ..... | D14/239                |
| D848,988 S *      | 5/2019 | Pei     | ..... | D14/239                |
| D852,805 S *      | 7/2019 | Lyu     | ..... | D14/452                |
| D872,067 S        | 1/2020 | Knapp   |       |                        |
| D878,382 S *      | 3/2020 | Pei     | ..... | D14/452                |
| D894,717 S        | 9/2020 | Fehr    |       |                        |
| D912,025 S *      | 3/2021 | Lyu     | ..... | D14/239                |
| D918,217 S *      | 5/2021 | Lyu     | ..... | D14/452                |
| 2008/0035816 A1 * | 2/2008 | Ciungan | ..... | F16M 11/2092 248/276.1 |
| 2018/0177299 A1 * | 6/2018 | Pei     | ..... | F16M 13/02             |
| 2019/0191879 A1 * | 6/2019 | Pei     | ..... | F16M 11/105            |

\* cited by examiner

*Primary Examiner* — Keli L Hill

*Assistant Examiner* — Harold E Blackwell, II

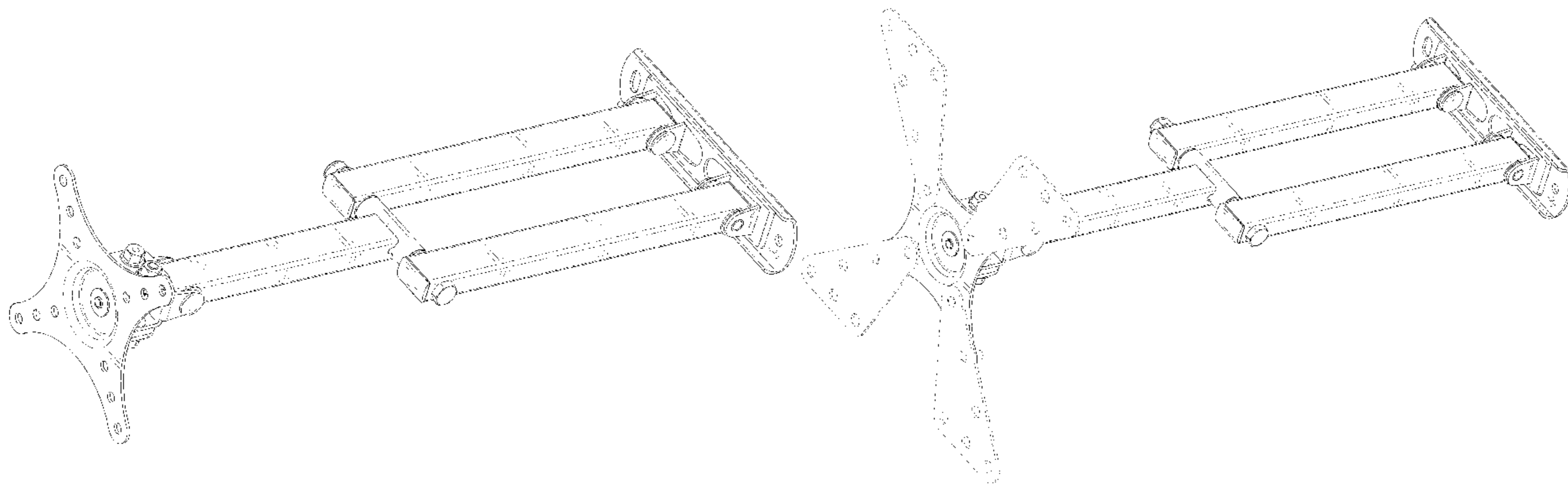
(57) **CLAIM**

The ornamental design for a display mount, as shown and described.

**DESCRIPTION**

FIG. 1 is a perspective view of a display mount showing my new design;  
FIG. 2 is another perspective view thereof;  
FIG. 3 is a front elevational view thereof;  
FIG. 4 is a rear elevational view thereof;  
FIG. 5 is a left side elevational view thereof;  
FIG. 6 is a right side elevational view thereof;  
FIG. 7 is a top plan view thereof;  
FIG. 8 is a bottom plan view thereof; and,  
FIG. 9 is a perspective view of the display mount where the display mount is in a configuration of use.  
The broken lines in the drawings depict portions of the display mount that form no part of the claimed design.

**1 Claim, 9 Drawing Sheets**



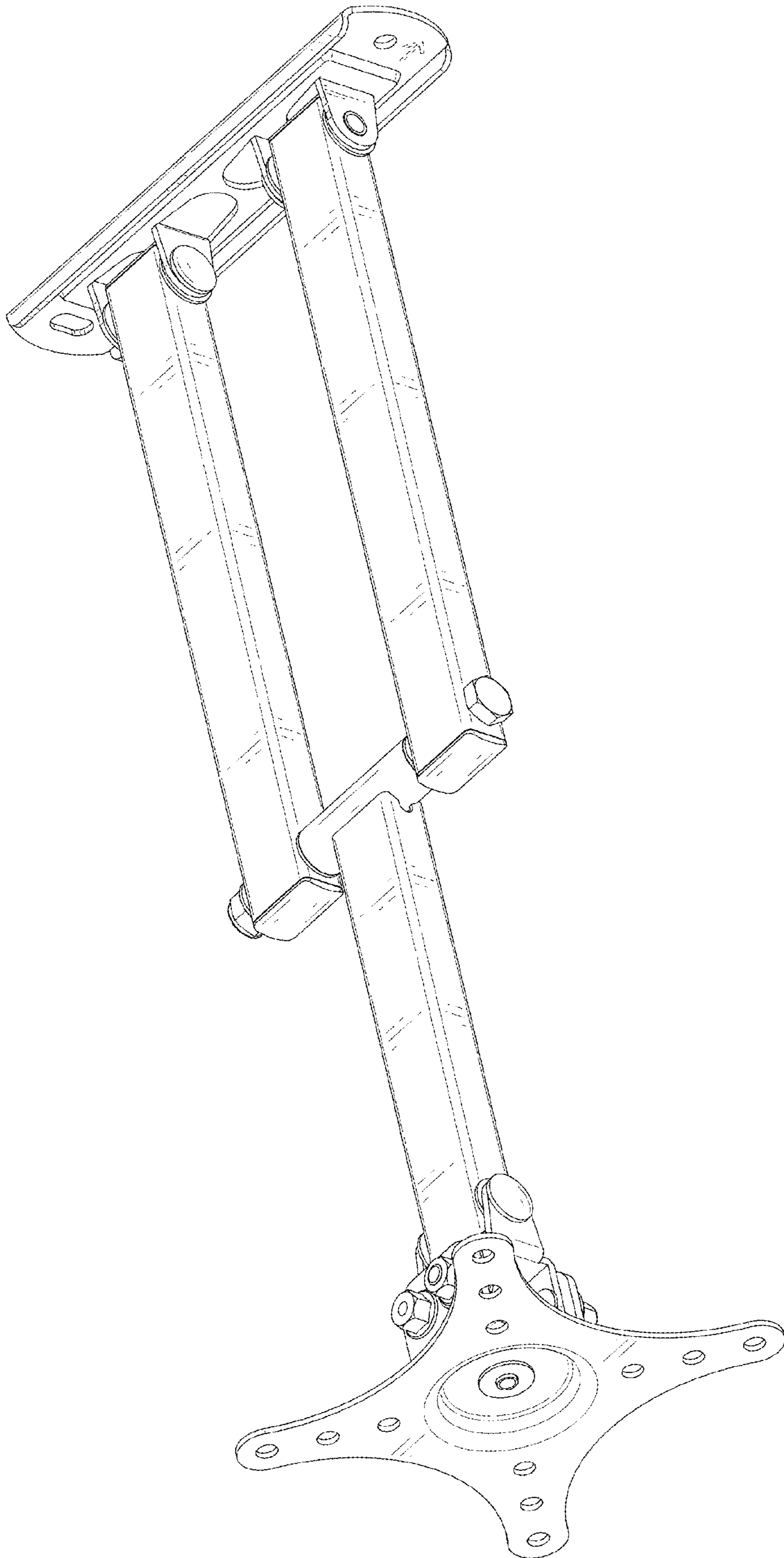


FIG. 1

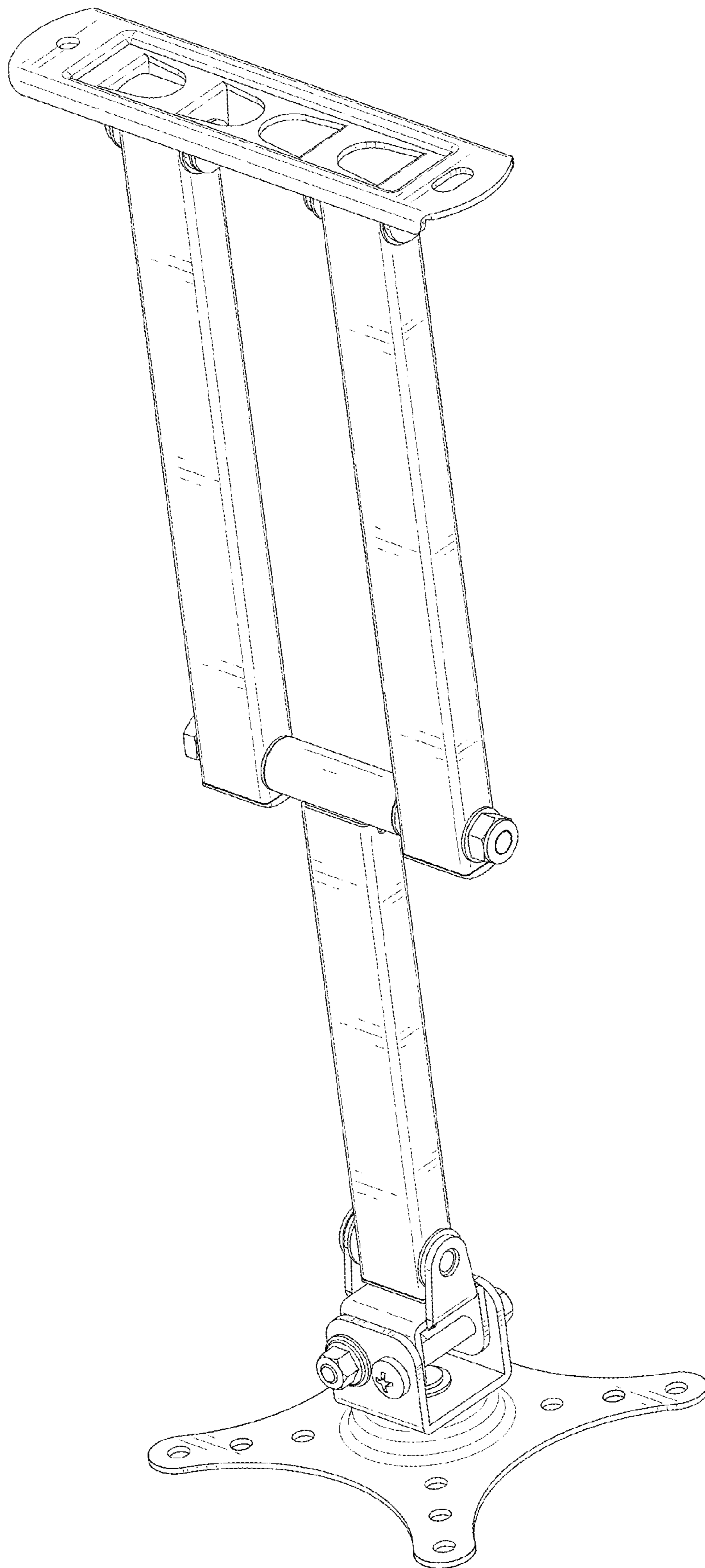


FIG. 2

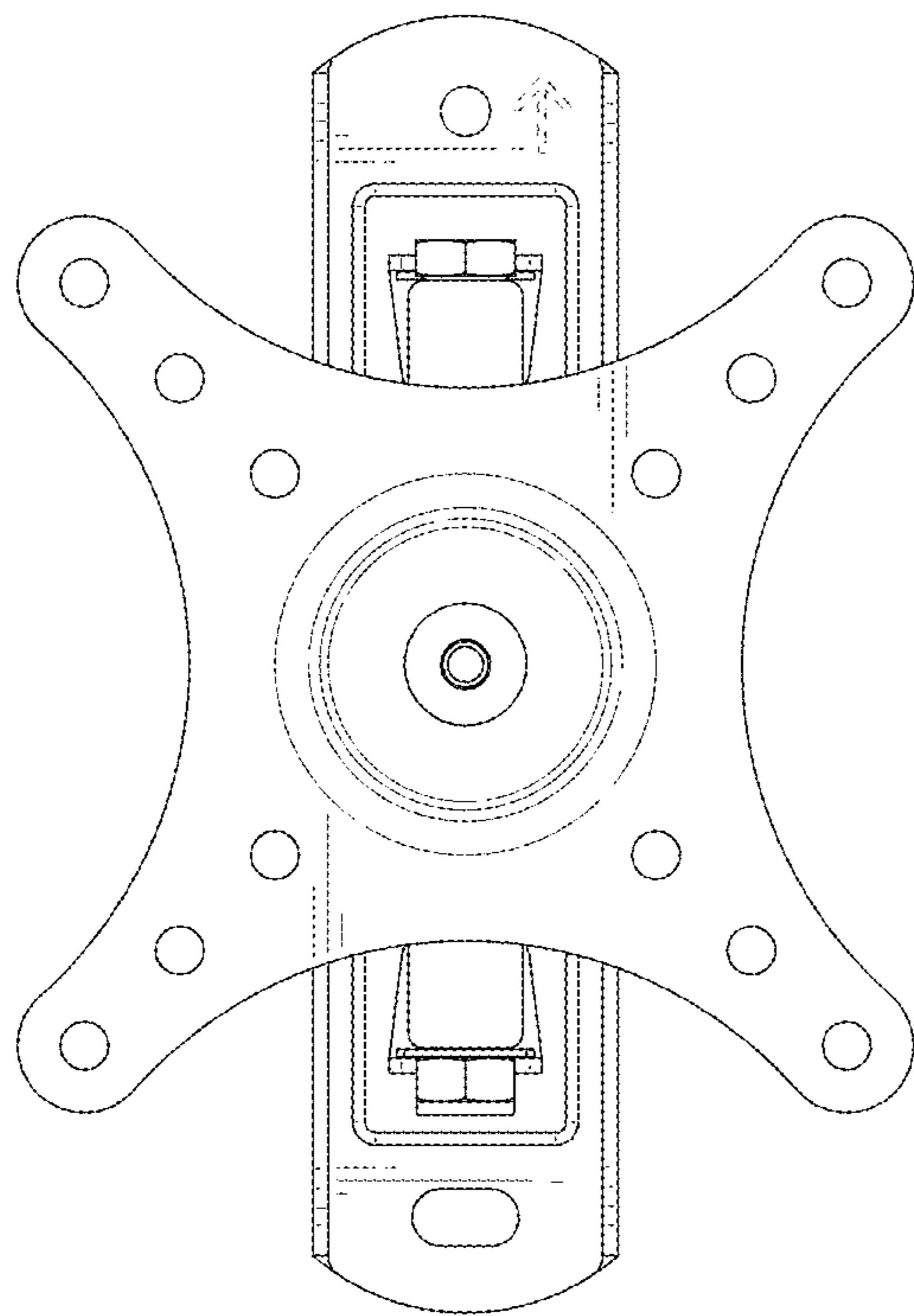


FIG. 3

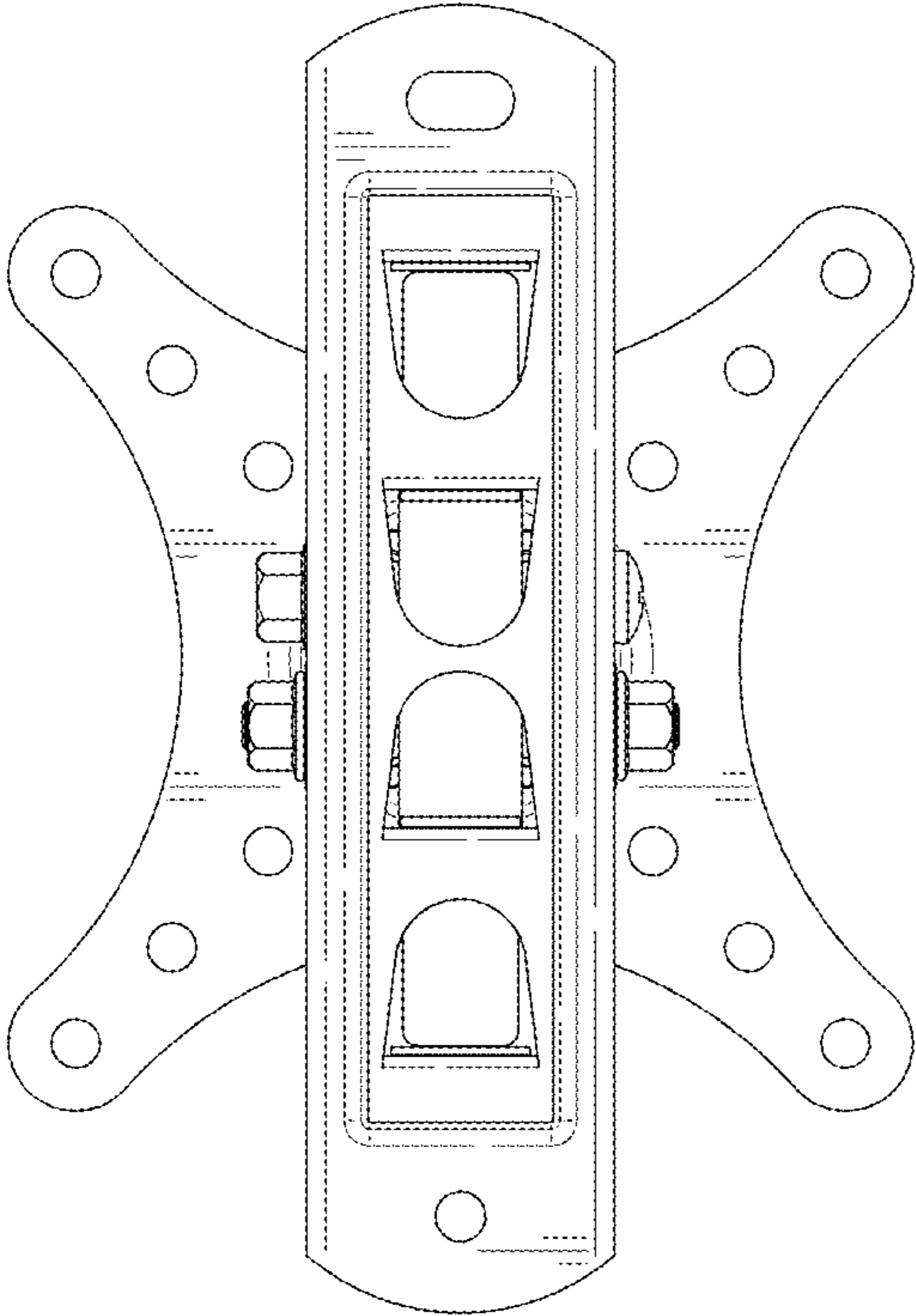


FIG. 4



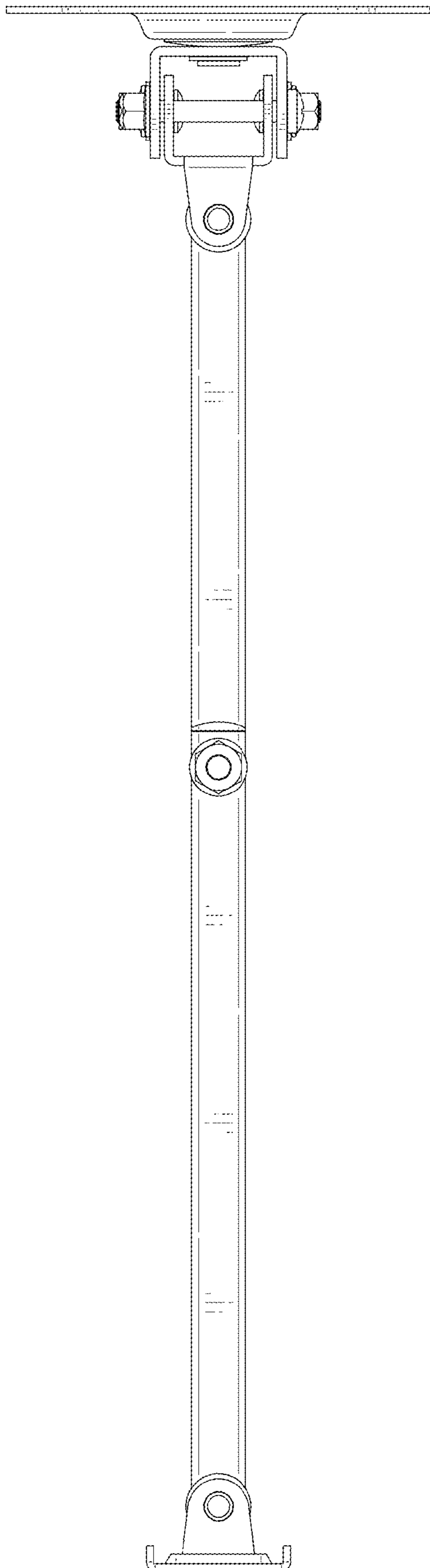


FIG. 5

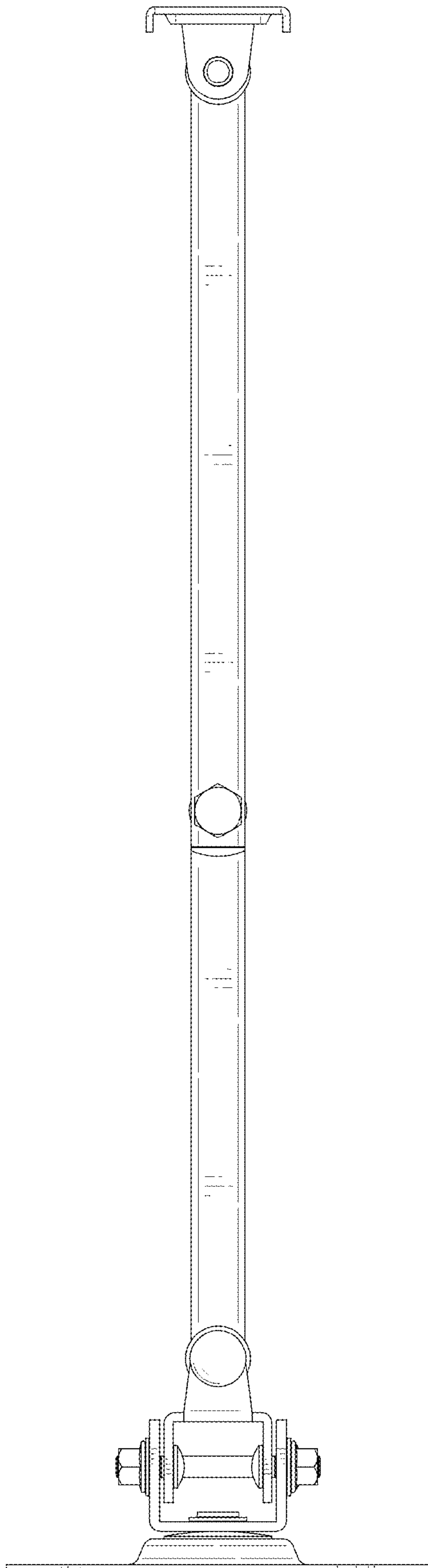


FIG. 6

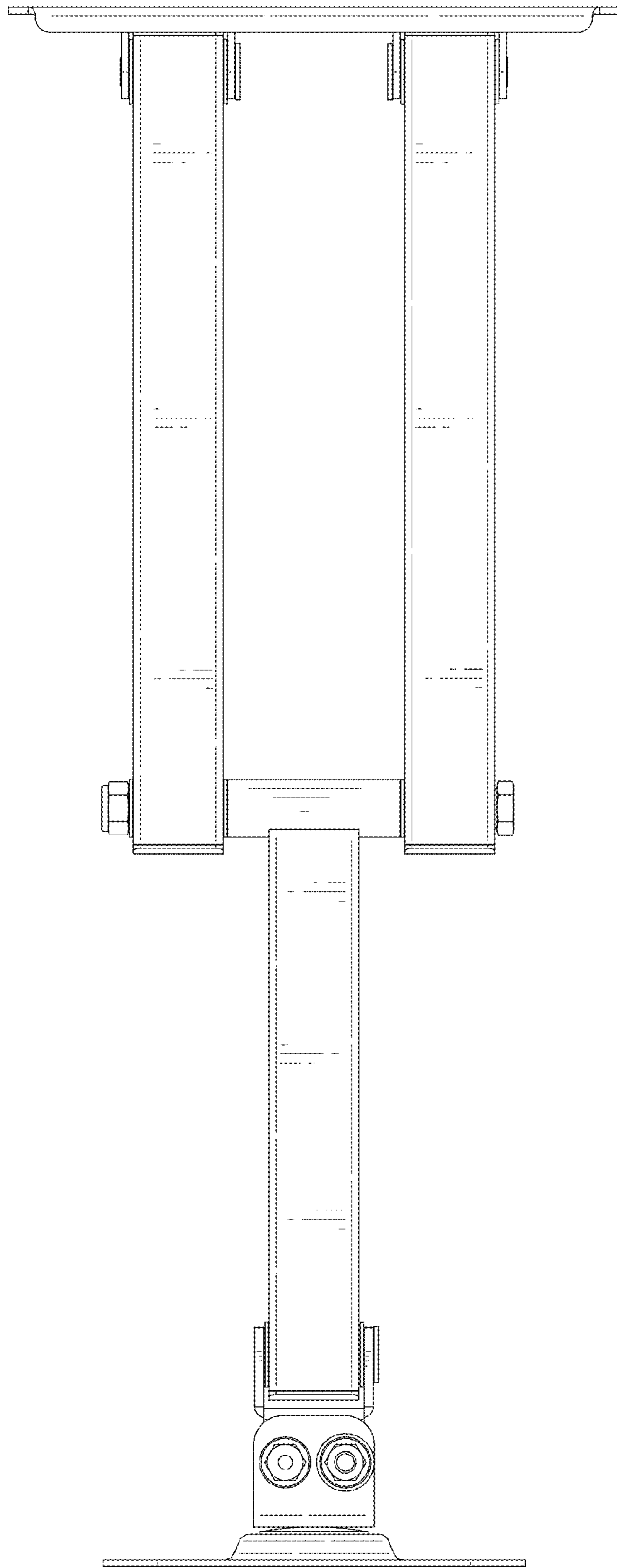


FIG. 7



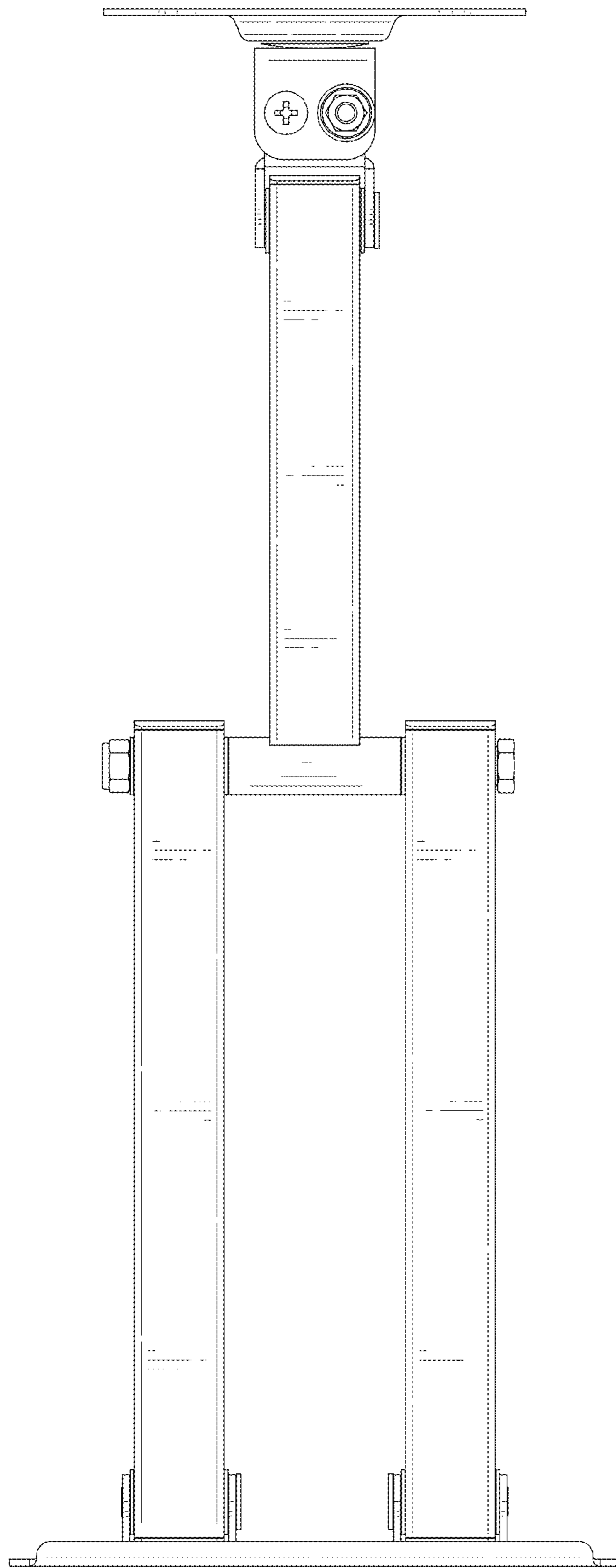


FIG. 8

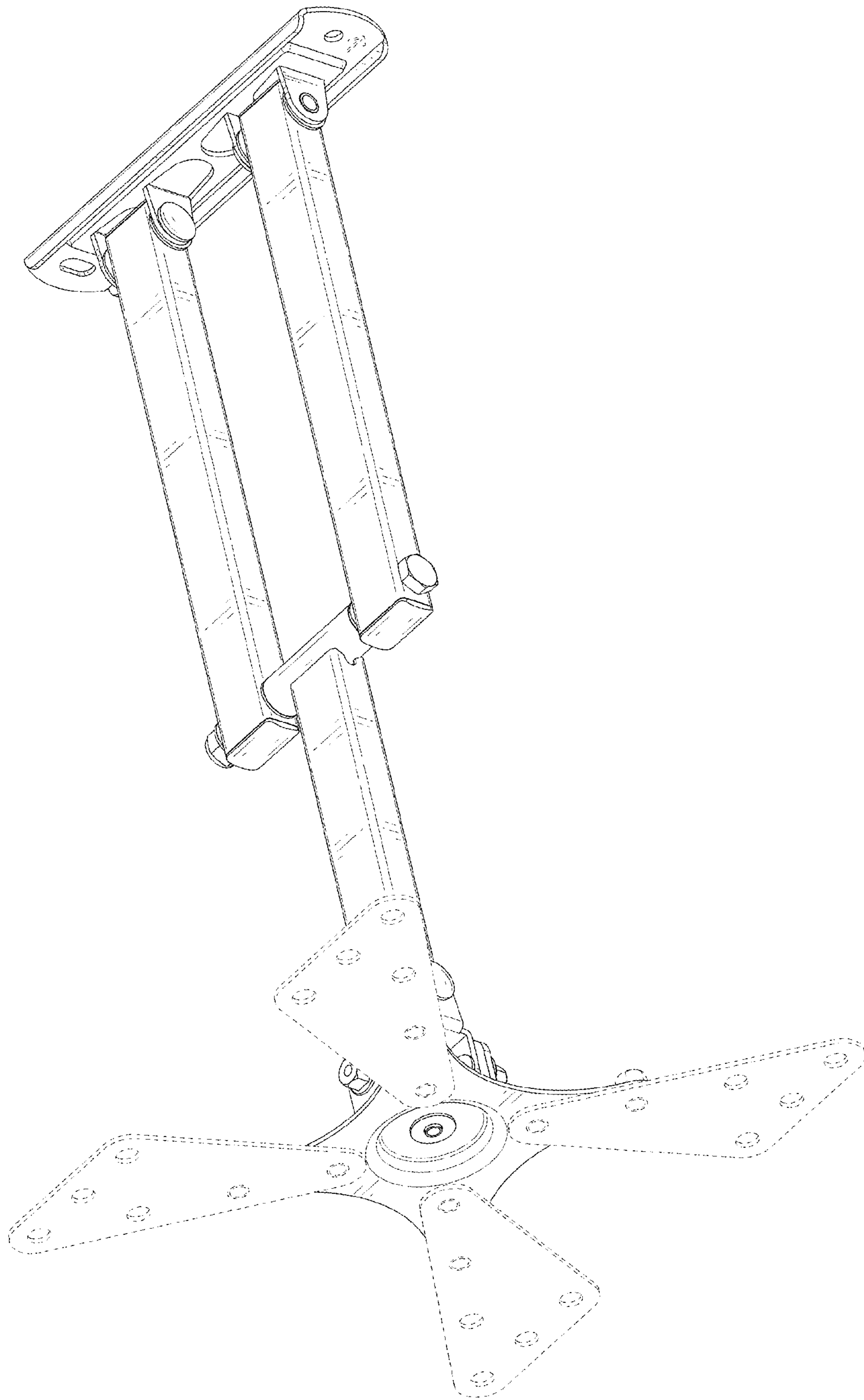


FIG. 9