



US00D932498S

(12) **United States Design Patent** (10) **Patent No.:** **US D932,498 S**
Siminoff et al. (45) **Date of Patent:** **** Oct. 5, 2021**

(54) **DEVICE MOUNT**

(71) Applicant: **AMAZON TECHNOLOGIES, INC.**,
Seattle, WA (US)

(72) Inventors: **Mark Siminoff**, Mountain View, CA
(US); **Christopher Loew**, Palo Alto,
CA (US); **Matthew J. England**, Santa
Monica, CA (US)

(73) Assignee: **Amazon Technologies, Inc.**, Seattle,
WA (US)

(**) Term: **15 Years**

(21) Appl. No.: **29/725,922**

(22) Filed: **Feb. 27, 2020**

Related U.S. Application Data

(62) Division of application No. 29/658,143, filed on Jul.
27, 2018, now Pat. No. Des. 893,504.

(51) **LOC (13) Cl.** **14-02**

(52) **U.S. Cl.**
USPC **D14/452**

(58) **Field of Classification Search**
USPC D14/447-452, 239, 371, 372, 373, 374,
D14/375, 376, 377, 125, 127, 128, 129,
(Continued)

(56) **References Cited**

U.S. PATENT DOCUMENTS

D401,941 S 12/1998 Slappey
6,443,408 B1 9/2002 Hung
(Continued)

FOREIGN PATENT DOCUMENTS

CN 303257220 * 6/2015
CN 305836505 * 6/2020
(Continued)

OTHER PUBLICATIONS

Epic Findings, Inc. Link: <https://www.epicfindings.com/products/dell-p2210-adjustable-monitor-stand>. Visited Jun. 1, 2021. Dell P2210 Adjustable Monitor Stand. (Year: 2021).*

(Continued)

Primary Examiner — Lauren D McVey

(74) *Attorney, Agent, or Firm* — Lathrop GPM LLP

(57) **CLAIM**

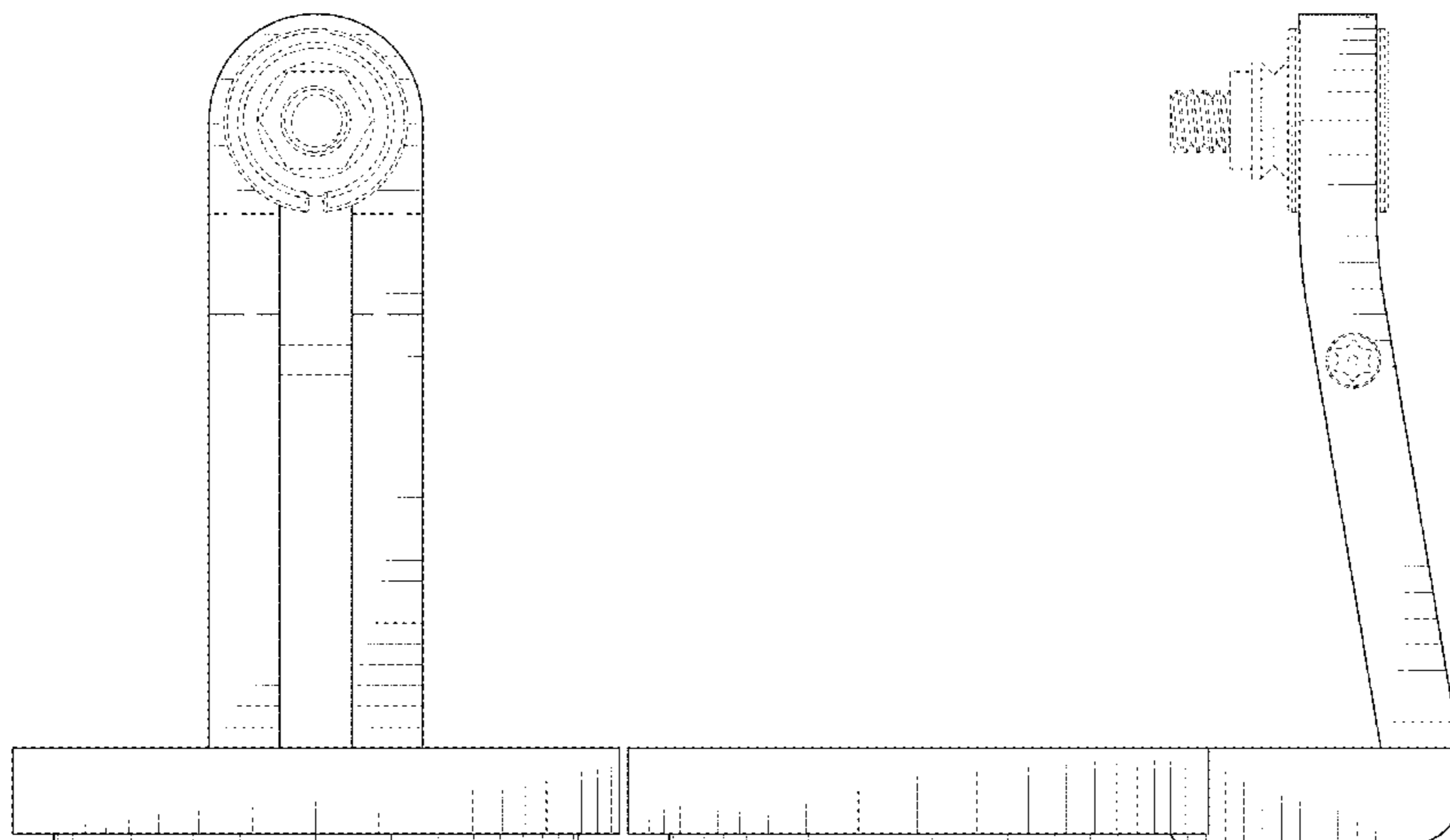
The ornamental design for a device mount, as shown and described.

DESCRIPTION

FIG. 1 is a front perspective view of a device mount according to a first embodiment of our new design; FIG. 2 is a front elevation view of the device mount of FIG. 1; FIG. 3 is a rear elevation view of the device mount of FIG. 1; FIG. 4 is a left-side elevation view of the device mount of FIG. 1; FIG. 5 is a right-side elevation view of the device mount of FIG. 1; FIG. 6 is a top plan view of the device mount of FIG. 1; FIG. 7 is a bottom plan view of the device mount of FIG. 1; FIG. 8 is a front perspective view of a device mount according to a second embodiment of our new design; FIG. 9 is a front elevation view of the device mount of FIG. 8; FIG. 10 is a rear elevation view of the device mount of FIG. 8; FIG. 11 is a left-side elevation view of the device mount of FIG. 8; FIG. 12 is a right-side elevation view of the device mount of FIG. 8; FIG. 13 is a top plan view of the device mount of FIG. 8; and, FIG. 14 is a bottom plan view of the device mount of FIG. 8.

The broken lines immediately adjacent to the shaded areas depict the bounds of the claimed design, while all other

(Continued)



broken lines are directed to environment; the broken lines form no part of the claimed design.

1 Claim, 10 Drawing Sheets

(58) **Field of Classification Search**

USPC D14/335-337, 341, 126; D8/355, 363, D8/373

CPC F16M 11/2085; F16M 11/2092; F16M 11/2007; F16M 11/2014; F16M 11/2021; F16M 11/105; F16M 11/048; F16M 11/12; F16M 13/022; F16M 11/10

See application file for complete search history.

(56) **References Cited**

U.S. PATENT DOCUMENTS

D521,511 S	5/2006	Kim	
D550,747 S	9/2007	Sassano	
D589,960 S	4/2009	Son	
D593,568 S *	6/2009	Hsieh	D14/451
D606,547 S	12/2009	Kamata	
D610,139 S	2/2010	Kamata	
D637,169 S	5/2011	Kim	
D659,147 S *	5/2012	Hu	D14/447
D680,573 S	4/2013	Sakamoto	
D722,067 S	2/2015	Jung	
D732,037 S *	6/2015	Wylie	D14/434
D733,157 S *	6/2015	Kim	D14/447
D733,160 S *	6/2015	Lee	D14/451
D801,979 S *	11/2017	Seo	D14/451
D848,991 S *	5/2019	Hwang	D14/239
D851,094 S	6/2019	Hung	
D865,842 S *	11/2019	Siminoff	D16/203
D866,633 S *	11/2019	Siminoff	D16/203
D892,810 S *	8/2020	Siminoff	D14/452

D893,504 S *	8/2020	Siminoff	D14/452
D900,122 S *	10/2020	Siminoff	D14/451
10,844,997 B1 *	11/2020	Loew	H05K 7/16
2012/0182680 A1	7/2012	Wetzel	
2018/0032104 A1	2/2018	Schatz	

FOREIGN PATENT DOCUMENTS

CN	306292793	*	1/2021
EP	1821025	A2	8/2007

OTHER PUBLICATIONS

Amazon. Link: https://www.amazon.com/TriPro-Portable-Adjustable-Compatible-Portable/dp/B094YFLWVL/ref=sr_1_2?dchild=1&keywords=B094YFLWVL&qid=1622577530&s=electronics&smid=A16BE0C8TL1MNQ&sr=1-2. Nov. 28, 2020. TriPro Tablet Stand. (Year: 2020).*

Amazon. Link: https://www.amazon.com/Computer-Free-Standing-Adjustable-Rotation-HT05B-001/dp/B07Q79ZZJ6/ref=sr_1_28?dchild=1&keywords=Adjustable+Monitor+Stand&qid=1622577317&sr=8-28. Apr. 2, 2019. Single LCD Computer Monitor Free-Standing Desk Stand Riser. (Year: 2019).*

Amazon. Link: https://www.amazon.com/Tablet-Stand-Adjustable-Lamicall-Reader/dp/B01DBV1OKY/ref=sr_1_2?dchild=1&keywords=B01DBV1OKY&qid=1622577694&s=electronics&sr=1-2. Mar. 23, 2016. Lamicall Tablet Stand Adjustable. (Year: 2016).*

Amazon. Link: https://www.amazon.com/dp/B071KDB3R6/ref=cm_sw_r_tw_dp_U_x_nQK-Db5M0KE2N. Jun. 14, 2017. Tablet Stands and Holders Adjustable: Tablet Cell Phone Holder 360 Degree. (Year: 2017).

Amazon. Link: https://www.amazon.com/dp/B073WHV11Z/ref=cm_sw_r_tw_dp_U_x_EPK-DbVW1CDBP. Jul. 12, 2017. AboveTEK Retail Kiosk iPad Stand, 360.degree. Rotating Commercial Tablet Stand. (Year: 2017).

U.S. Appl. No. 29/675,154, Notice of Allowance, dated Apr. 1, 2020.

* cited by examiner

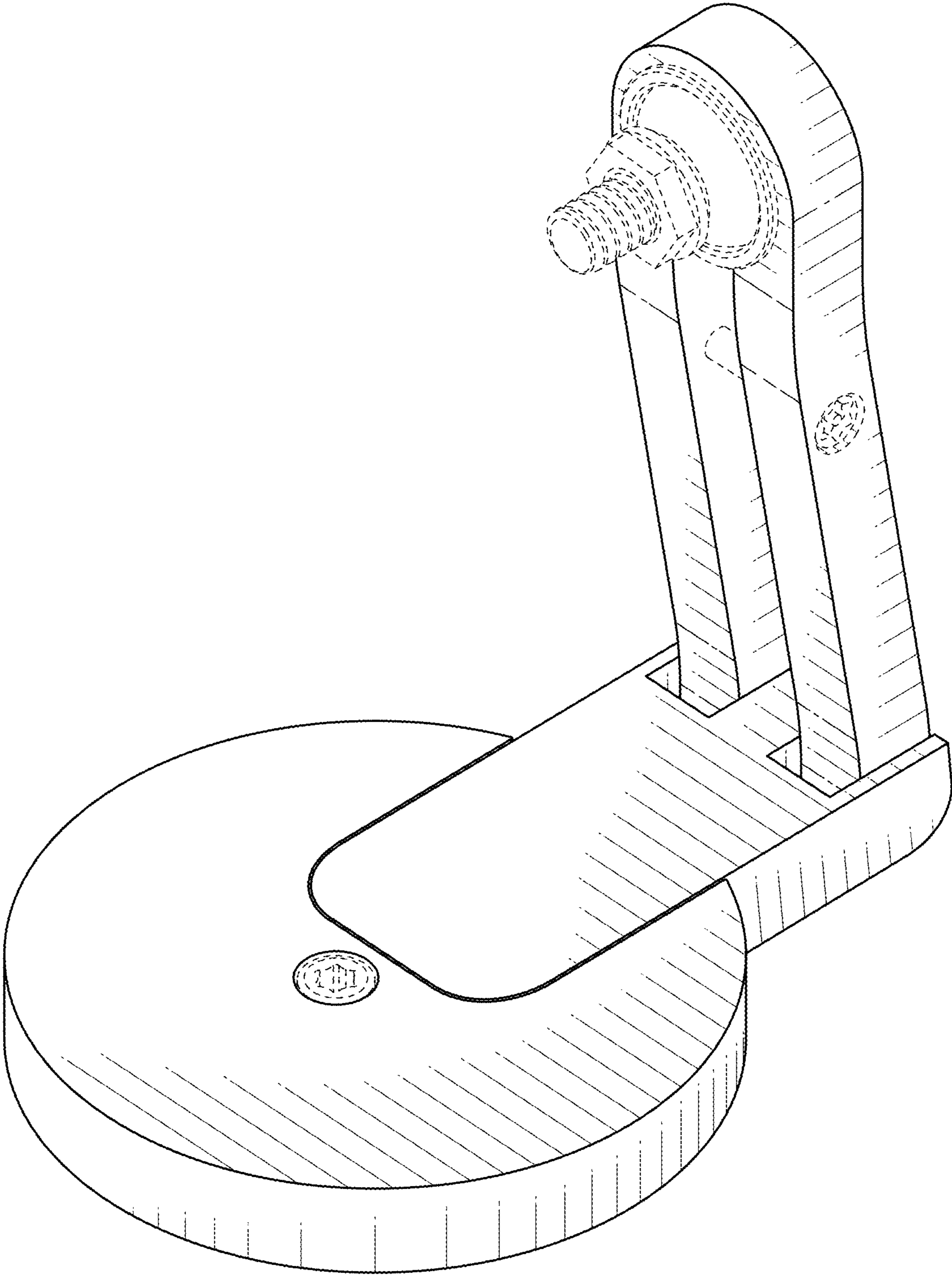


FIG. 1

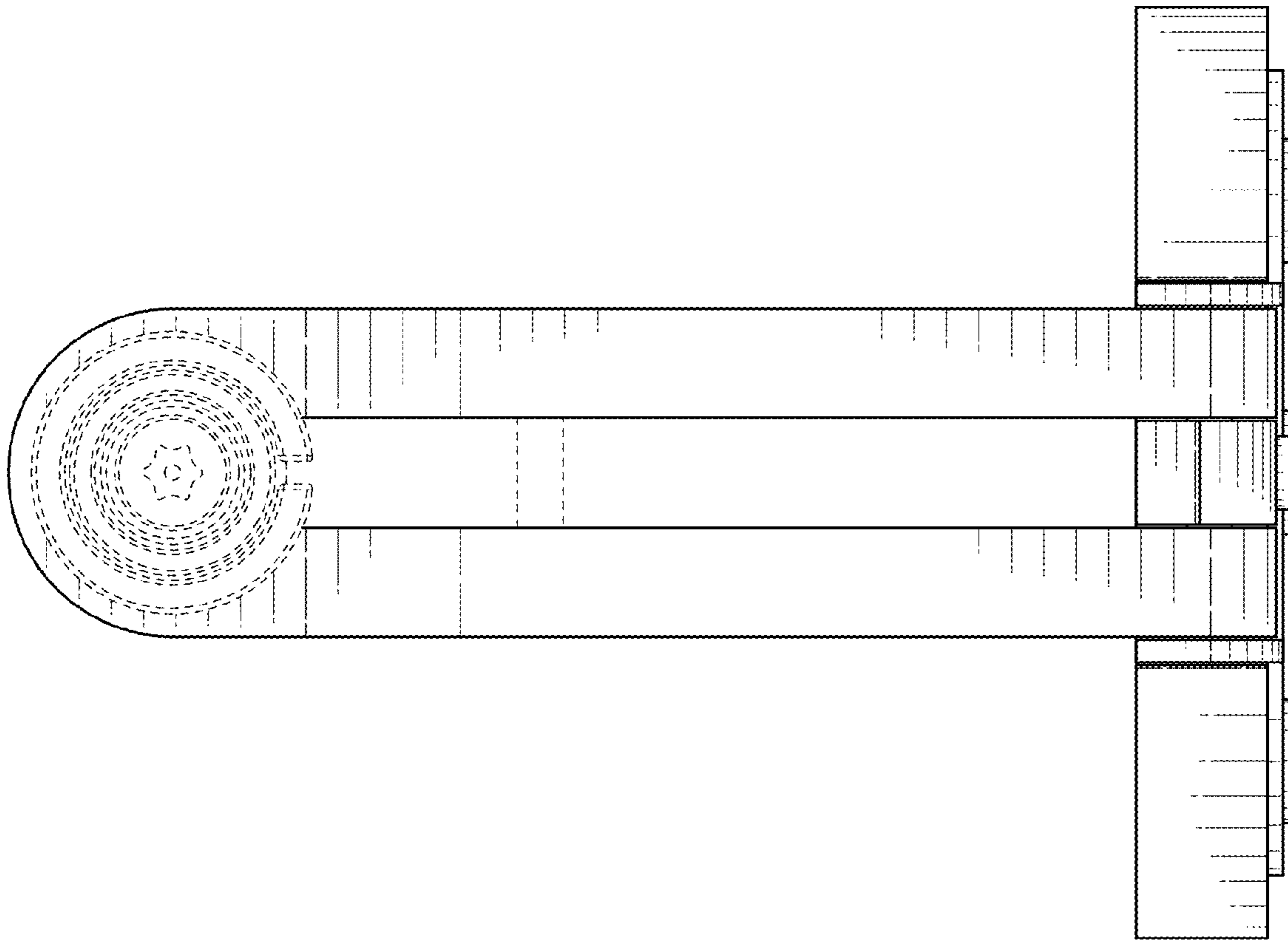


FIG. 3

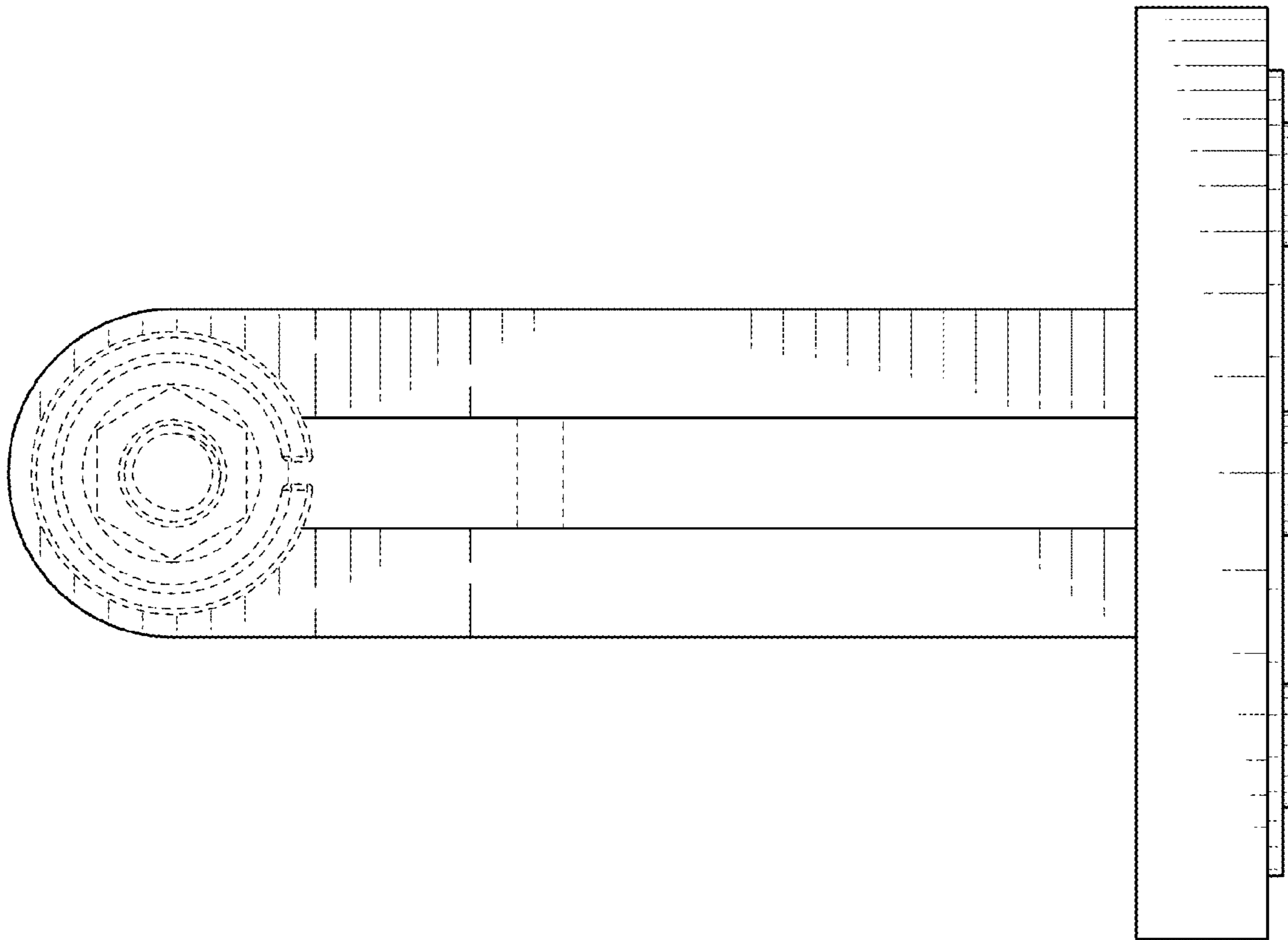


FIG. 2

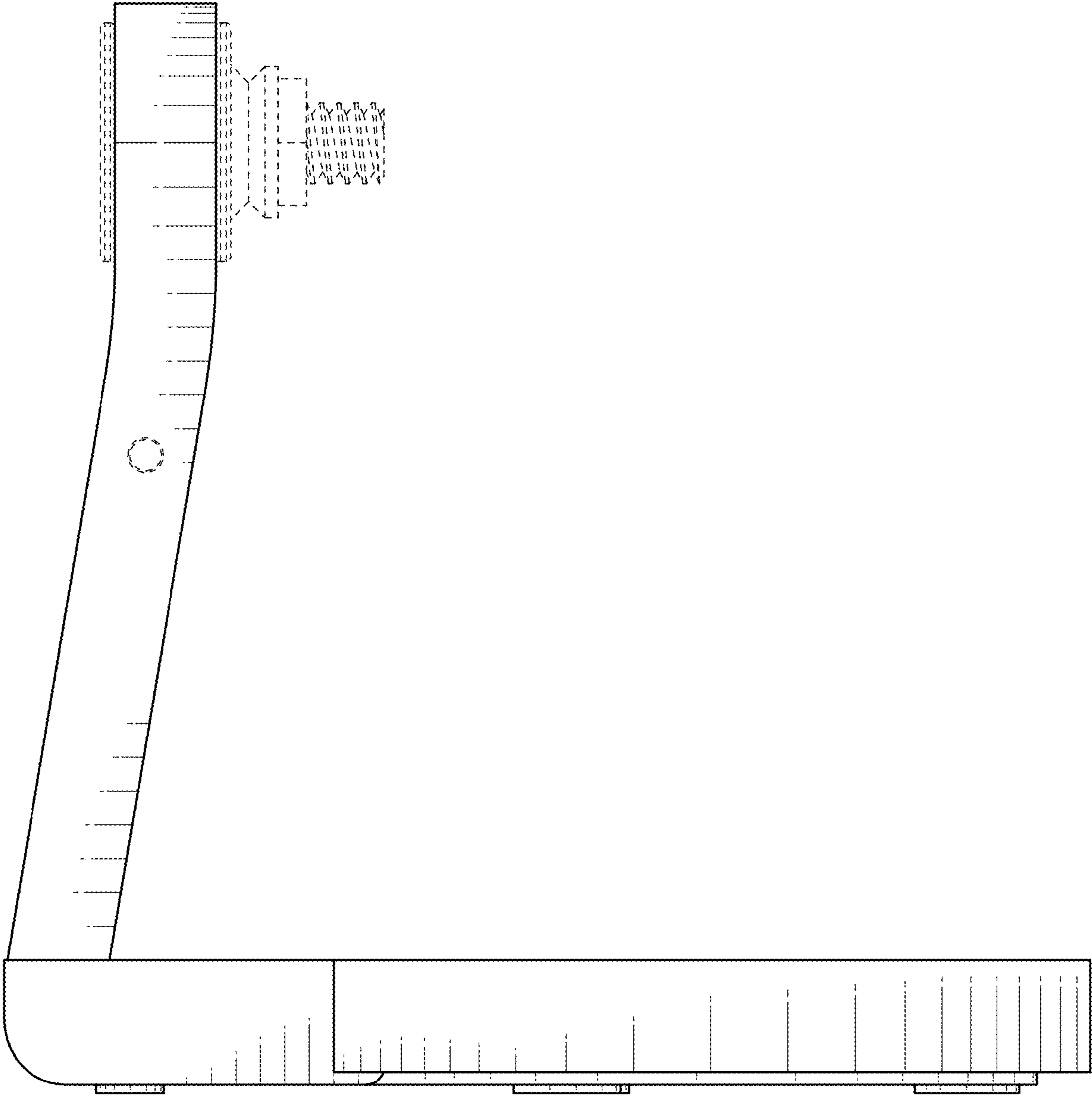


FIG. 4

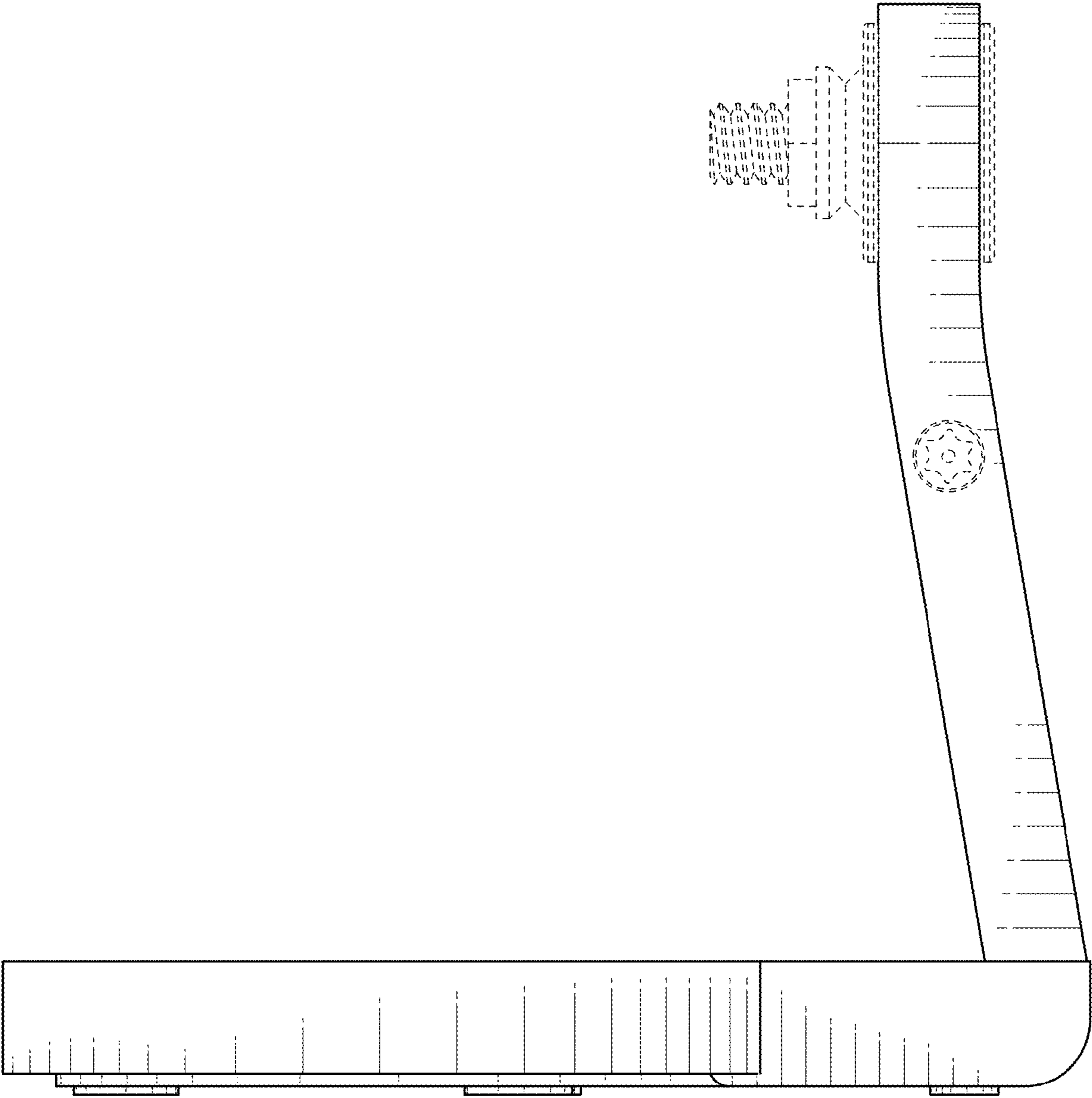


FIG. 5

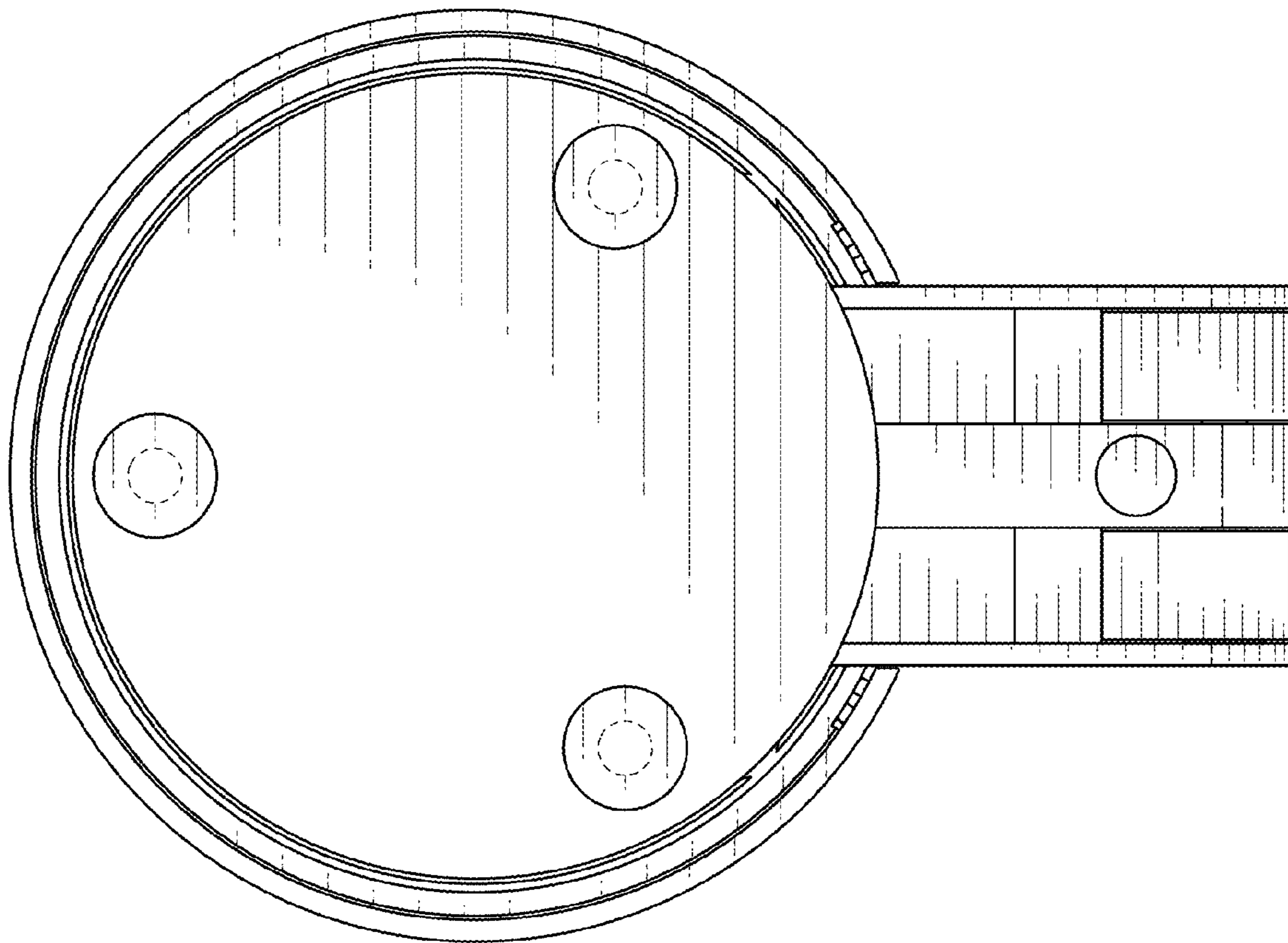


FIG. 7

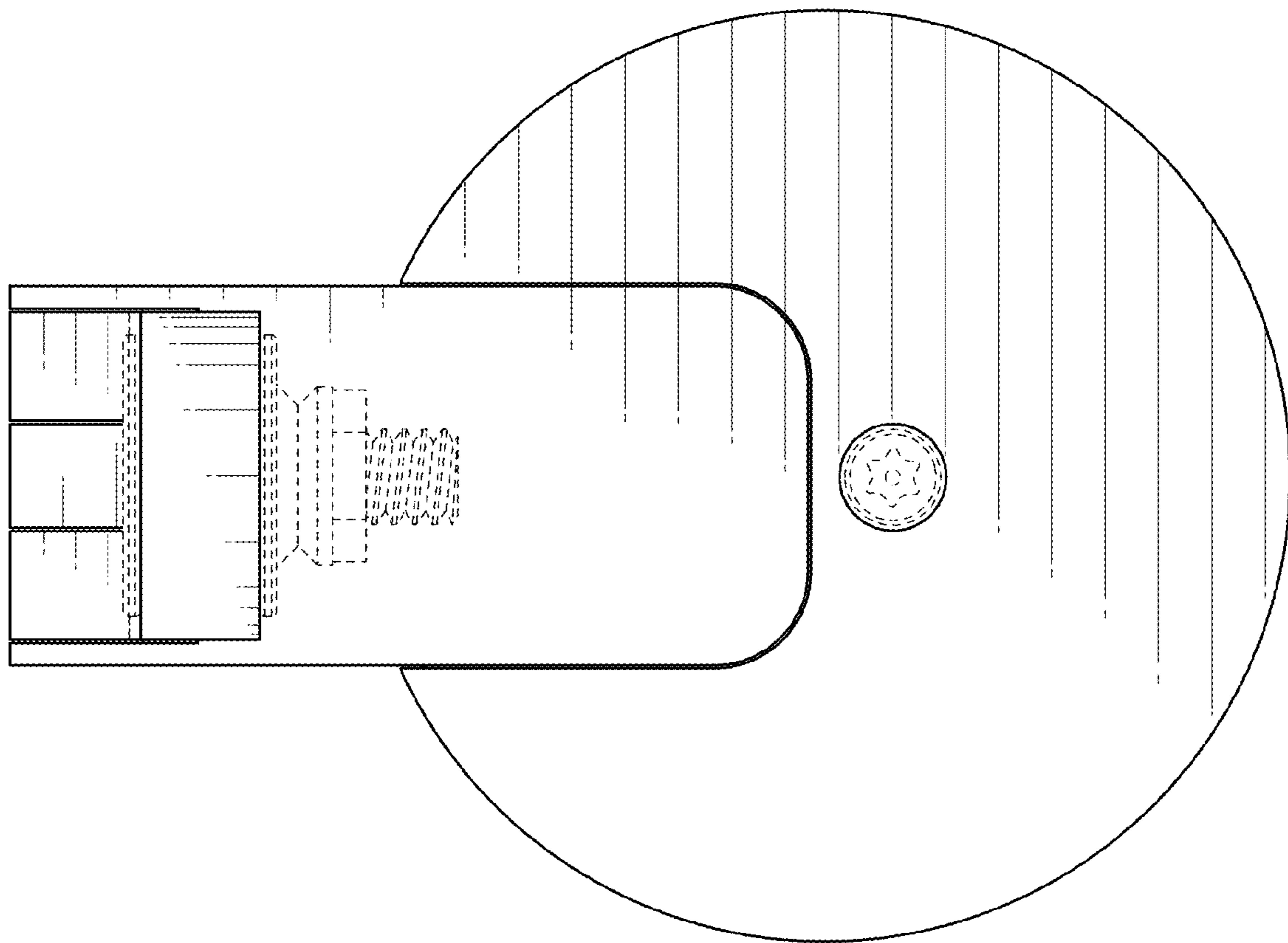


FIG. 6

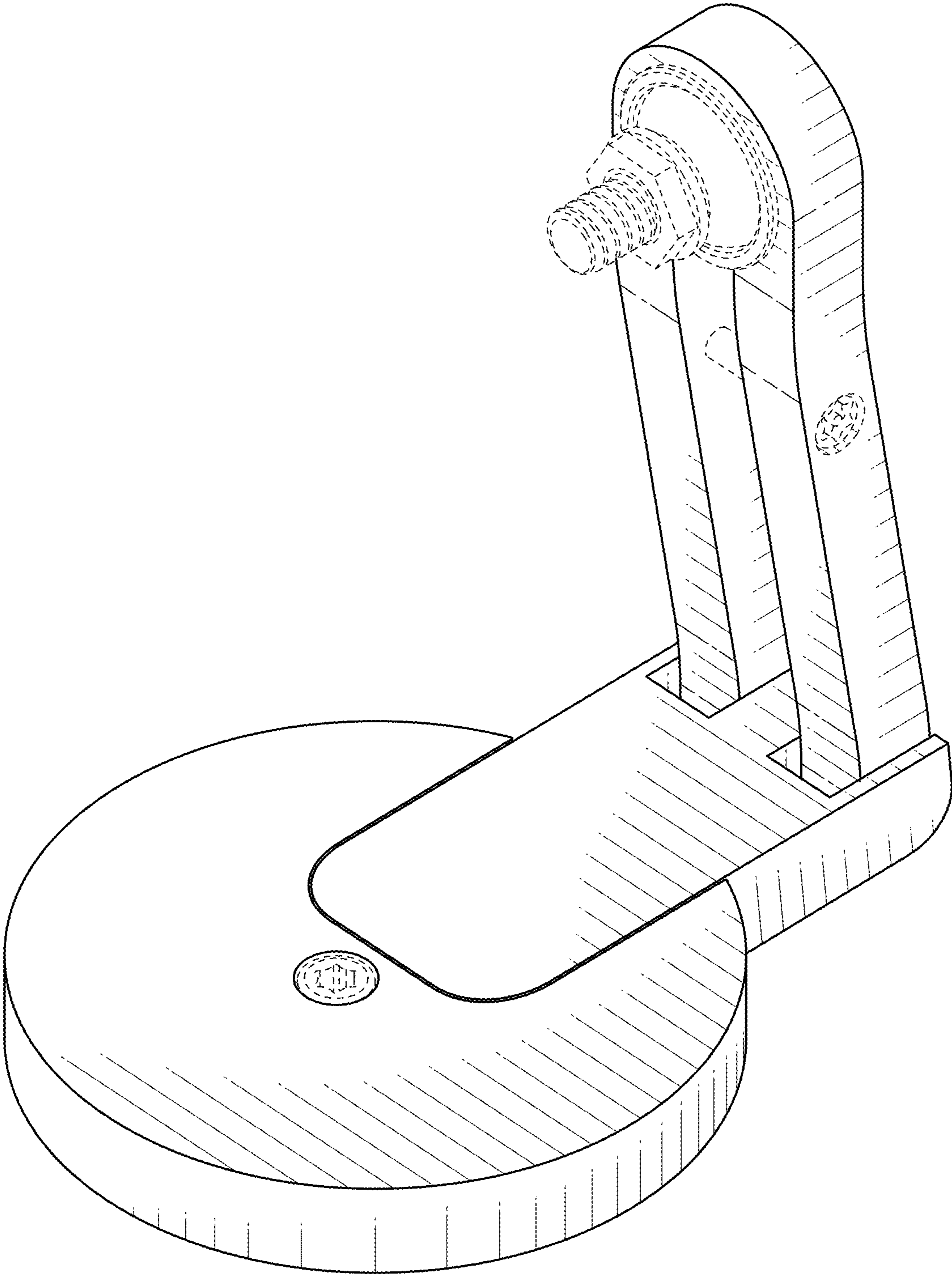


FIG. 8

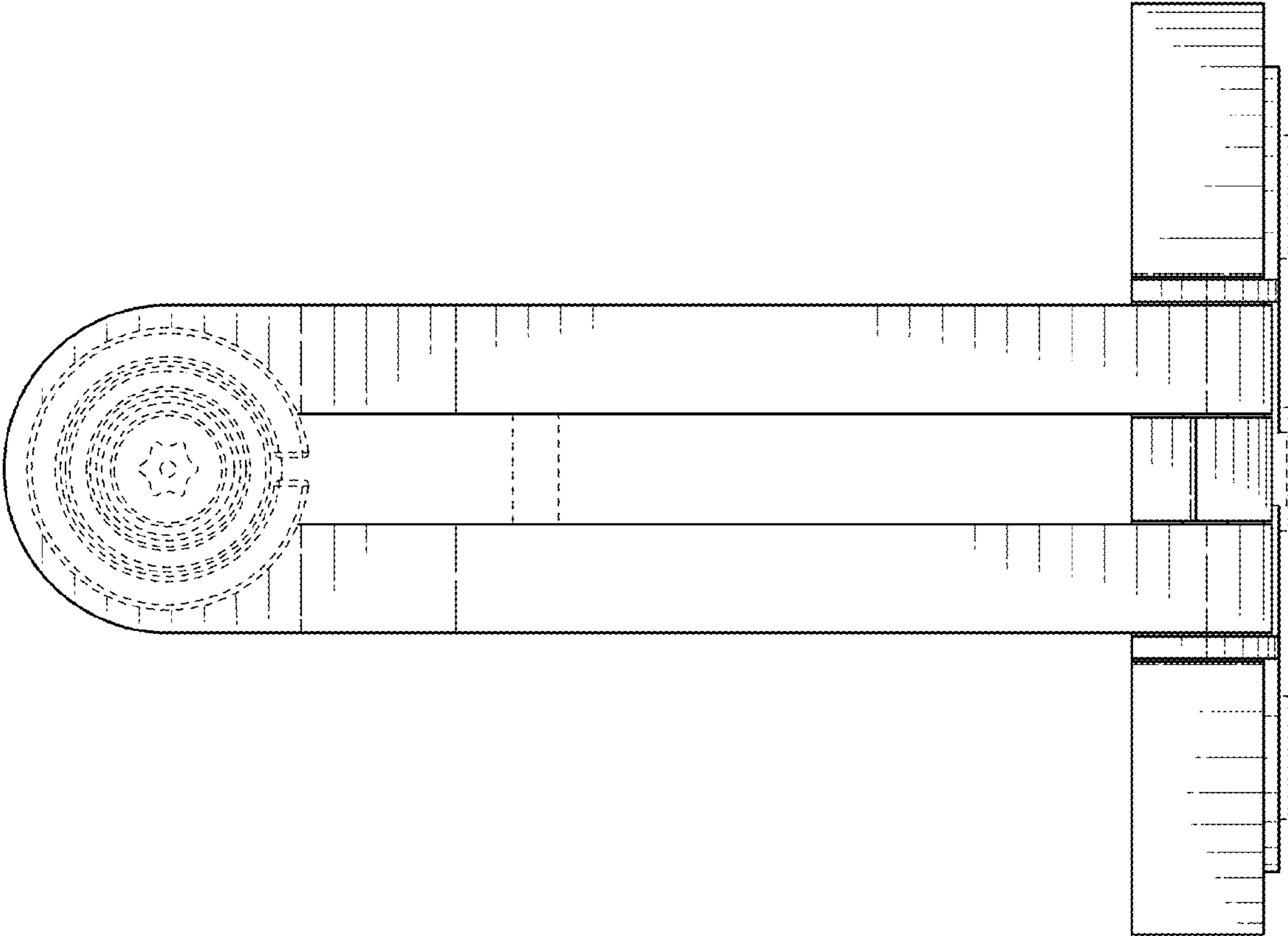


FIG. 9

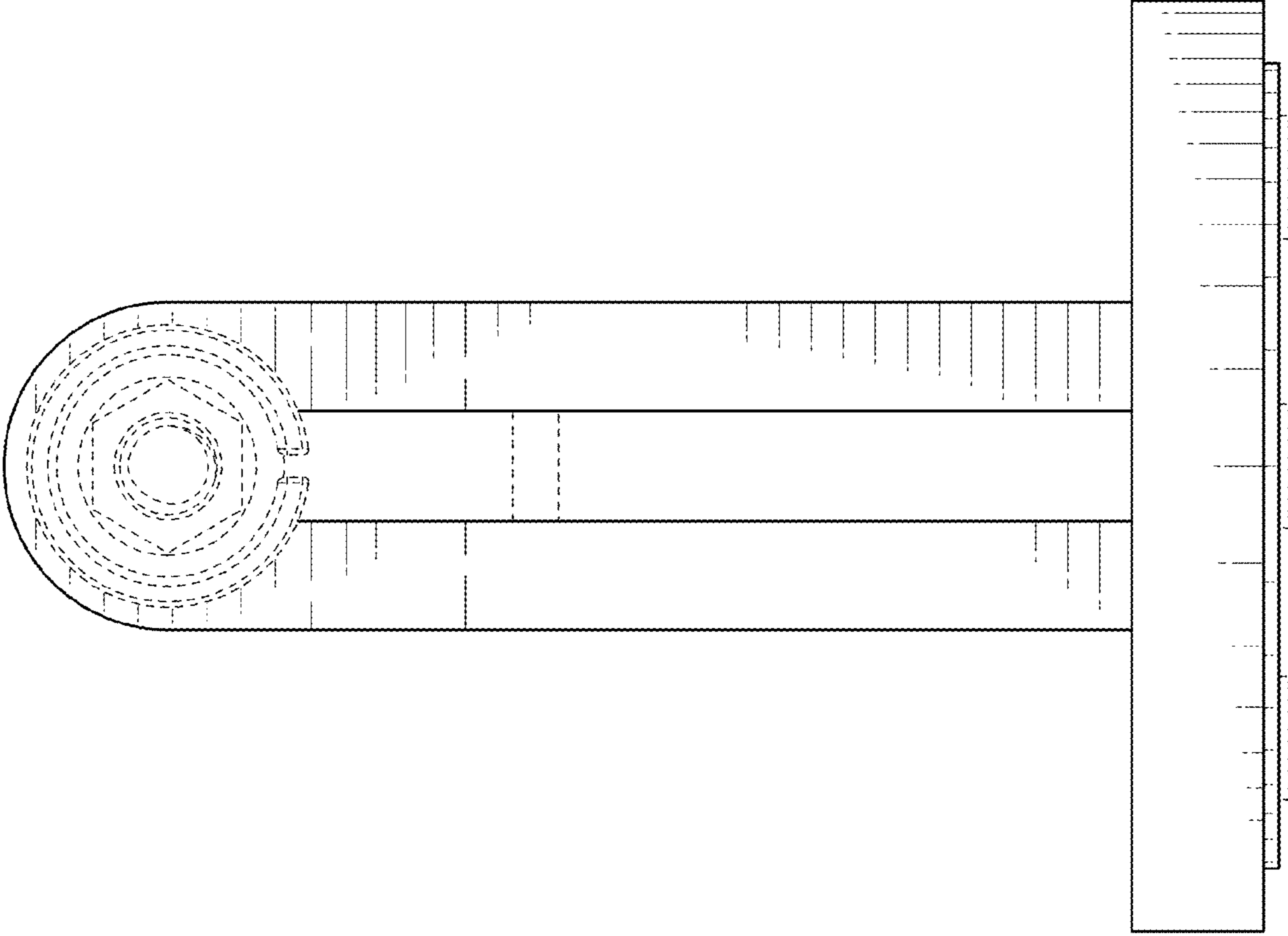


FIG. 10

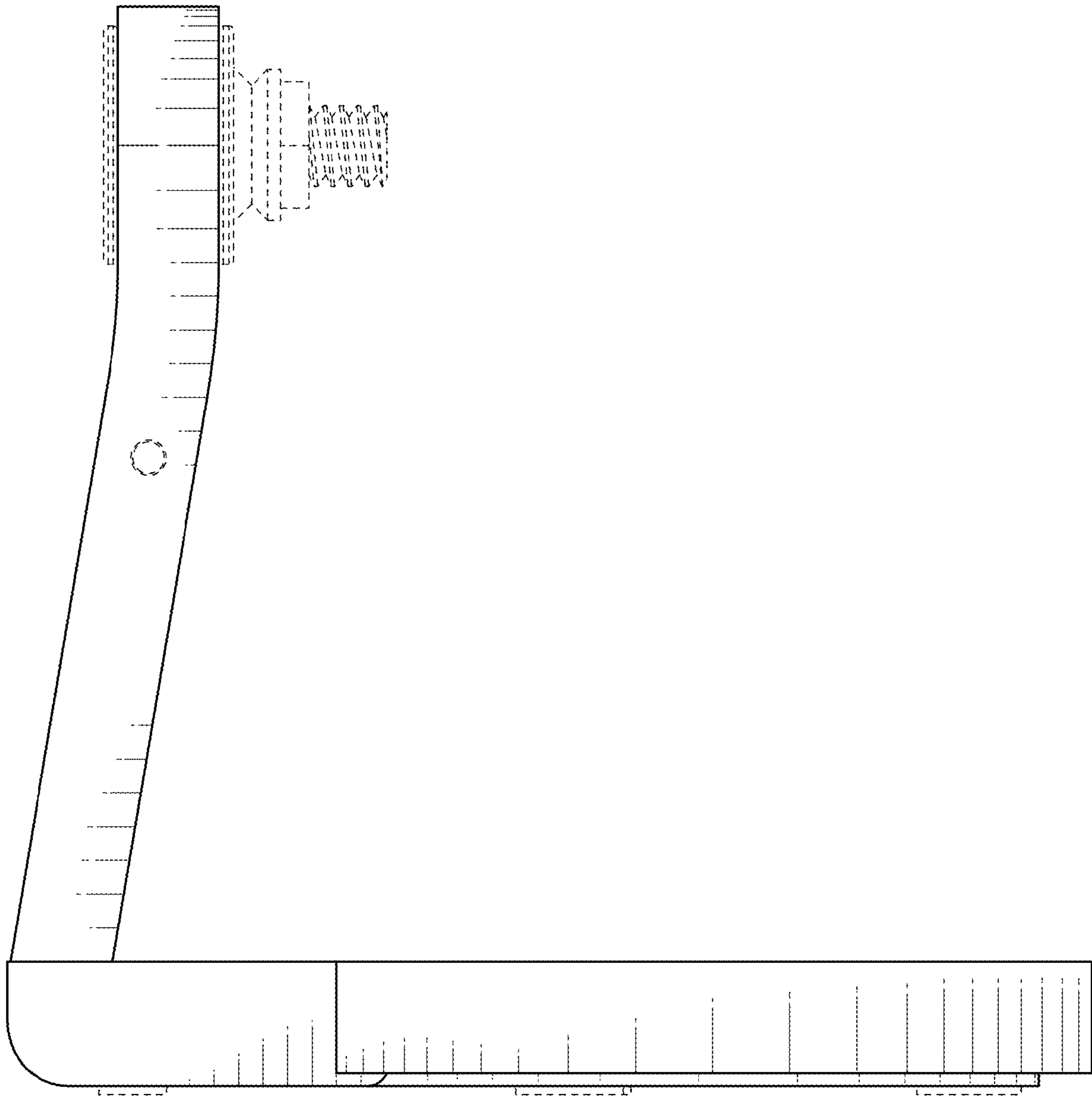


FIG. 11

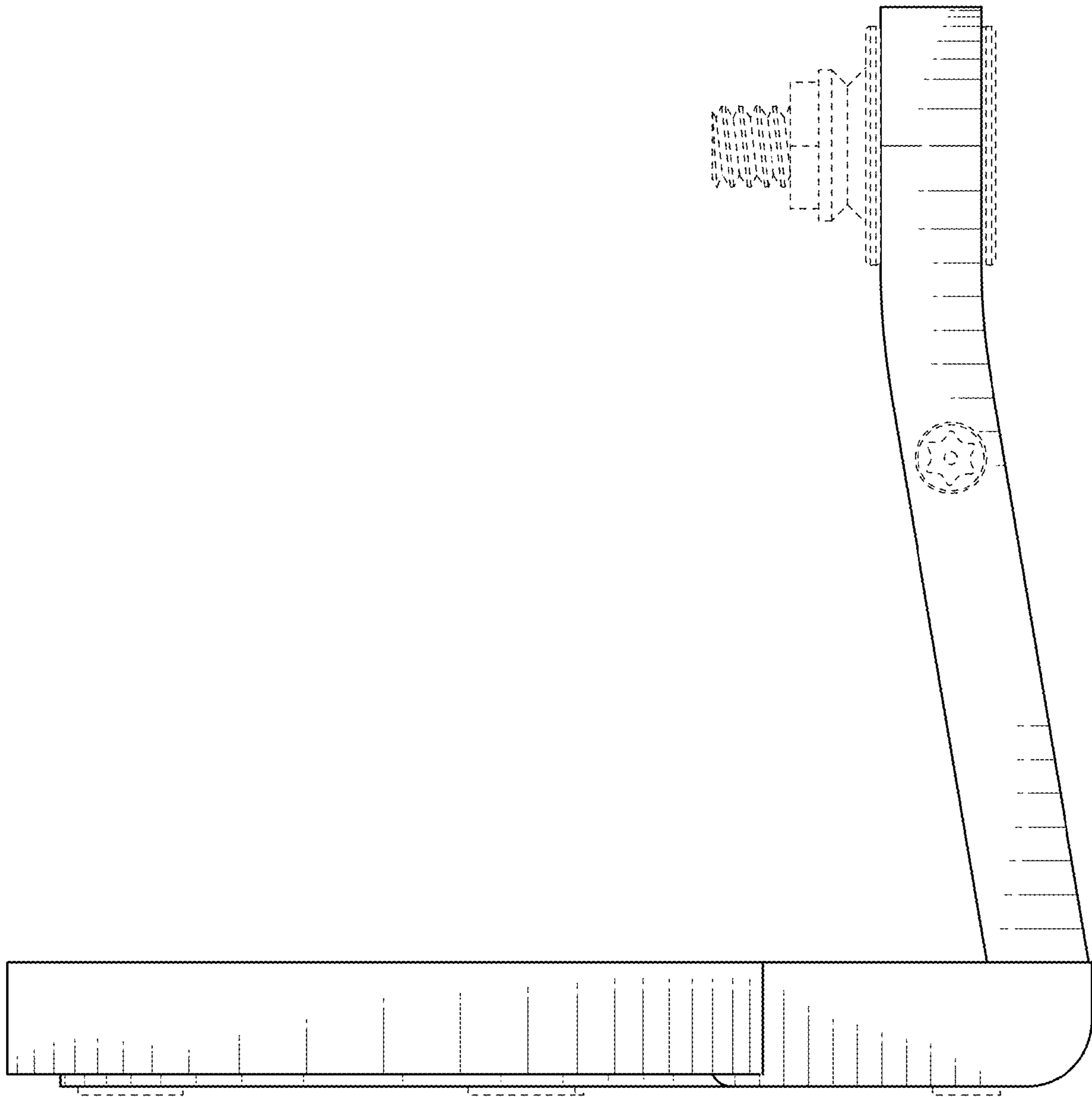


FIG. 12

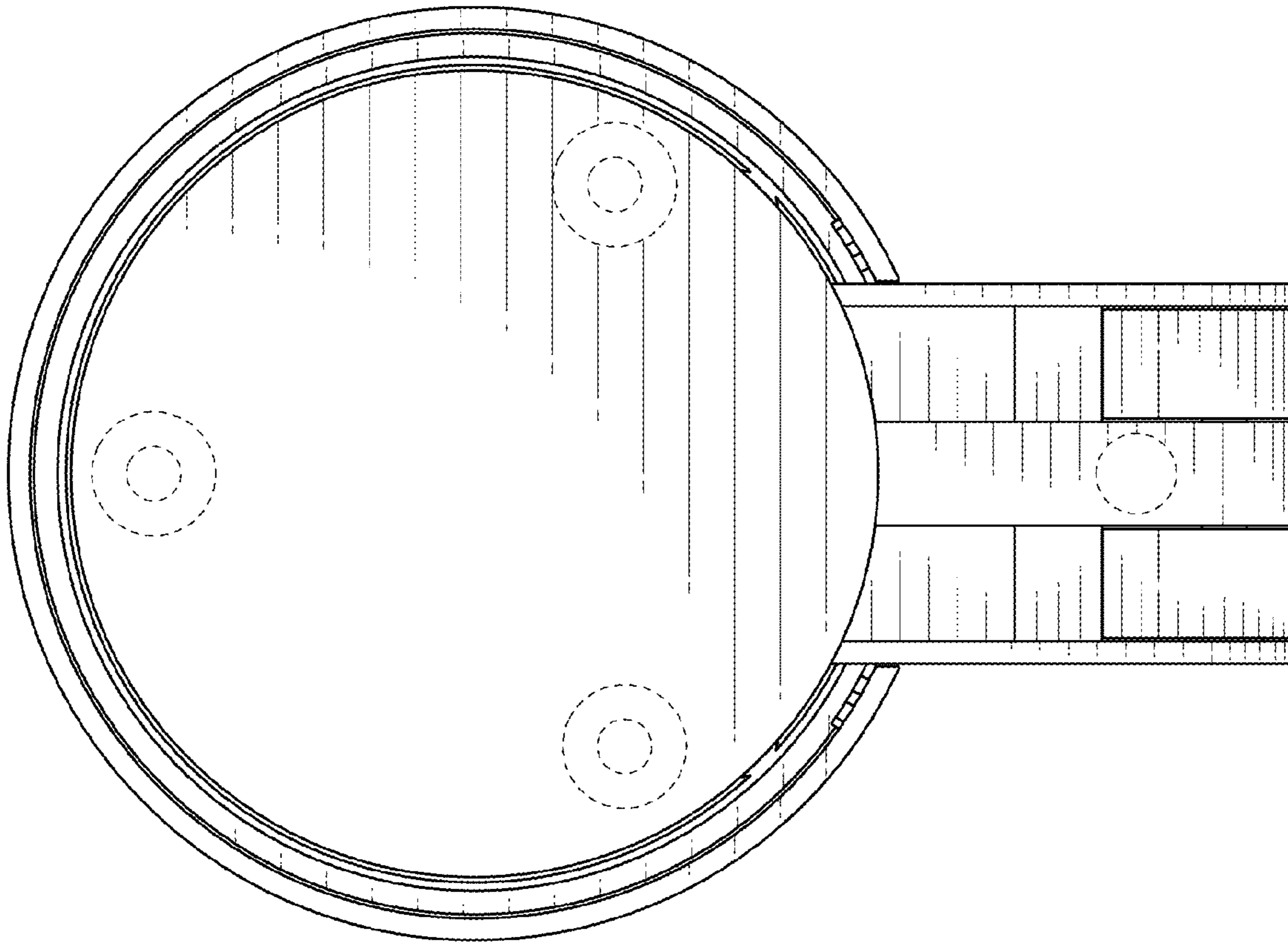


FIG. 14

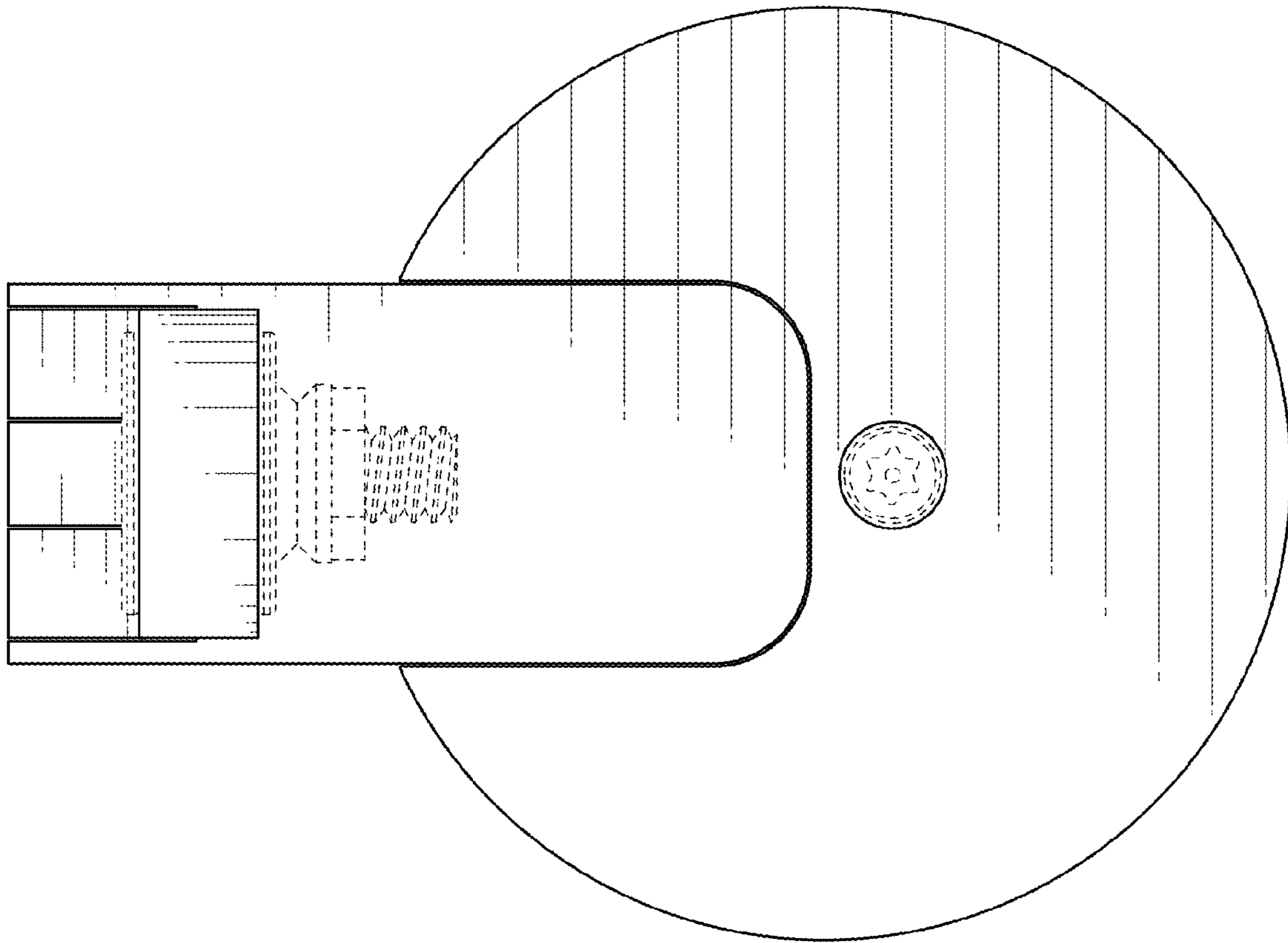


FIG. 13