



US00D932497S

(12) **United States Design Patent** (10) **Patent No.:** **US D932,497 S**
Reyes et al. (45) **Date of Patent:** **** Oct. 5, 2021**

(54) **LAPTOP STAND**

(56)

References Cited

(71) Applicants: **Juan Reyes**, Orlando, FL (US); **Gilbert Cruz**, Hialeah, FL (US); **German Villalongo**, Orlando, FL (US); **Hwoskar Rentas**, Orlando, FL (US); **Orlando Alicea**, Orlando, FL (US); **Jose Ramos**, Orlando, FL (US); **Abdiel Villanueva**, Alexandria, VA (US)

U.S. PATENT DOCUMENTS

D579,455	S	*	10/2008	Chu	D14/447
D583,821	S	*	12/2008	Richter	D14/447
D722,061	S	*	2/2015	Byrne	D14/447
D852,803	S	*	7/2019	Lin	D14/447
D868,792	S	*	12/2019	Zeng	D14/447
D886,110	S	*	6/2020	Akana	D14/447
D887,166	S	*	6/2020	Ren	D6/406.5
D907,643	S	*	1/2021	Wengreen	D14/447
D914,393	S	*	3/2021	Xie	D6/406.6

(72) Inventors: **Juan Reyes**, Orlando, FL (US); **Gilbert Cruz**, Hialeah, FL (US); **German Villalongo**, Orlando, FL (US); **Hwoskar Rentas**, Orlando, FL (US); **Orlando Alicea**, Orlando, FL (US); **Jose Ramos**, Orlando, FL (US); **Abdiel Villanueva**, Alexandria, VA (US)

* cited by examiner

Primary Examiner — Angela J Lee

(**) Term: **15 Years**

(57)

CLAIM

(21) Appl. No.: **29/732,696**

The ornamental design for a laptop stand, as shown and described.

(22) Filed: **Apr. 27, 2020**

(51) **LOC (13) Cl.** **08-07**

(52) **U.S. Cl.**
USPC **D14/447**

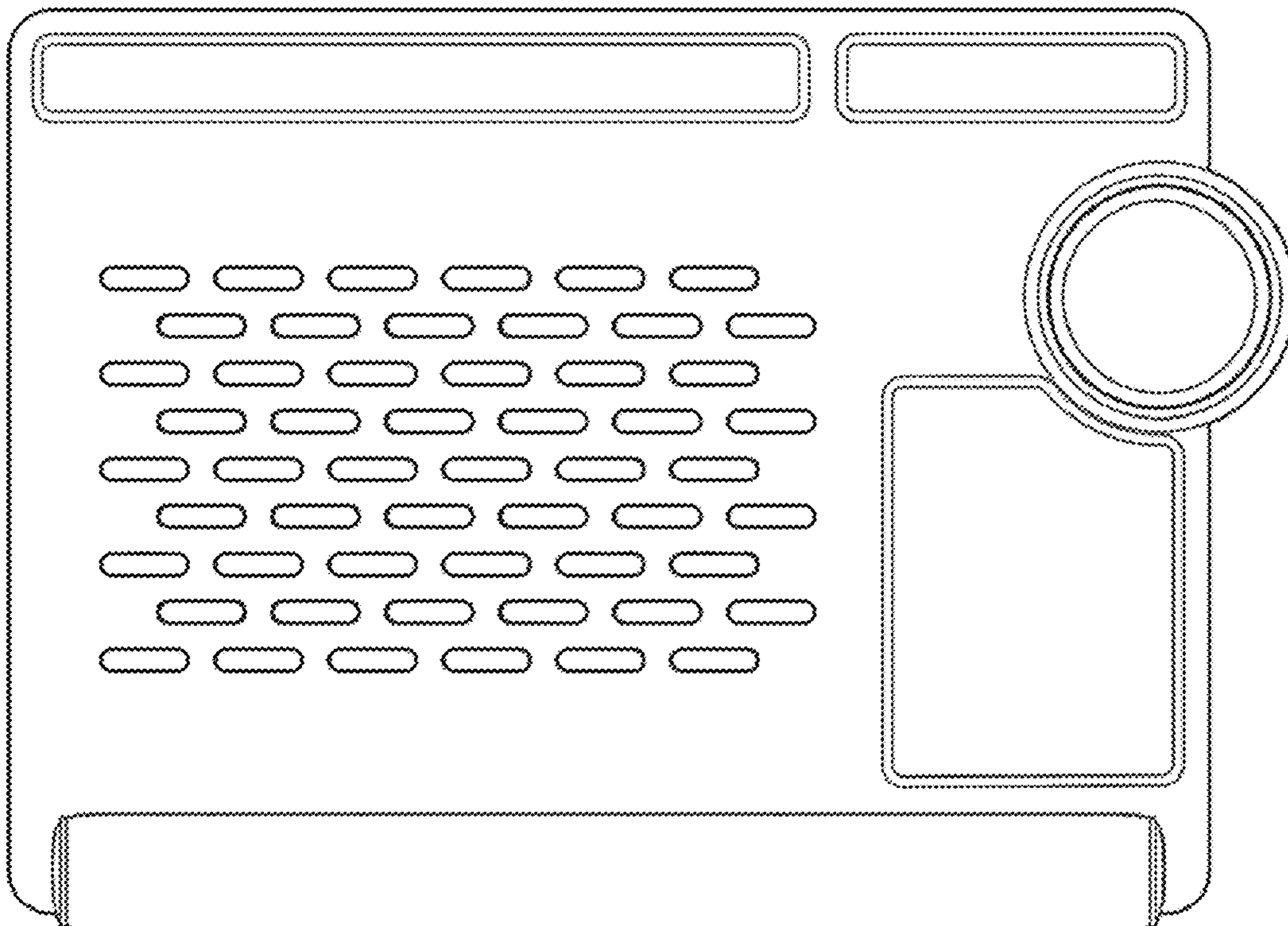
DESCRIPTION

(58) **Field of Classification Search**
USPC D14/447, 432, 434, 439, 440, 451, 452, D14/457, 239, 253, 433; D8/363, 373, D8/380; D6/406.3, 406.4, 406.5, 406.6; D12/415
CPC A47B 21/04; A47B 2097/006; A47B 2097/005; A47B 2023/049; A45C 2011/002; A45C 2011/003; F16M 2200/00; F16M 13/00

FIG. 1 is a top view of a laptop stand according to the present invention;
FIG. 2 is a bottom view of the laptop stand of FIG. 1;
FIG. 3 is a right side view of the laptop stand of FIG. 1;
FIG. 4 is a left side view of the laptop stand of FIG. 1;
FIG. 5 is a front view of the laptop stand of FIG. 1; and,
FIG. 6 is a back view of the laptop stand of FIG. 1.

See application file for complete search history.

1 Claim, 6 Drawing Sheets



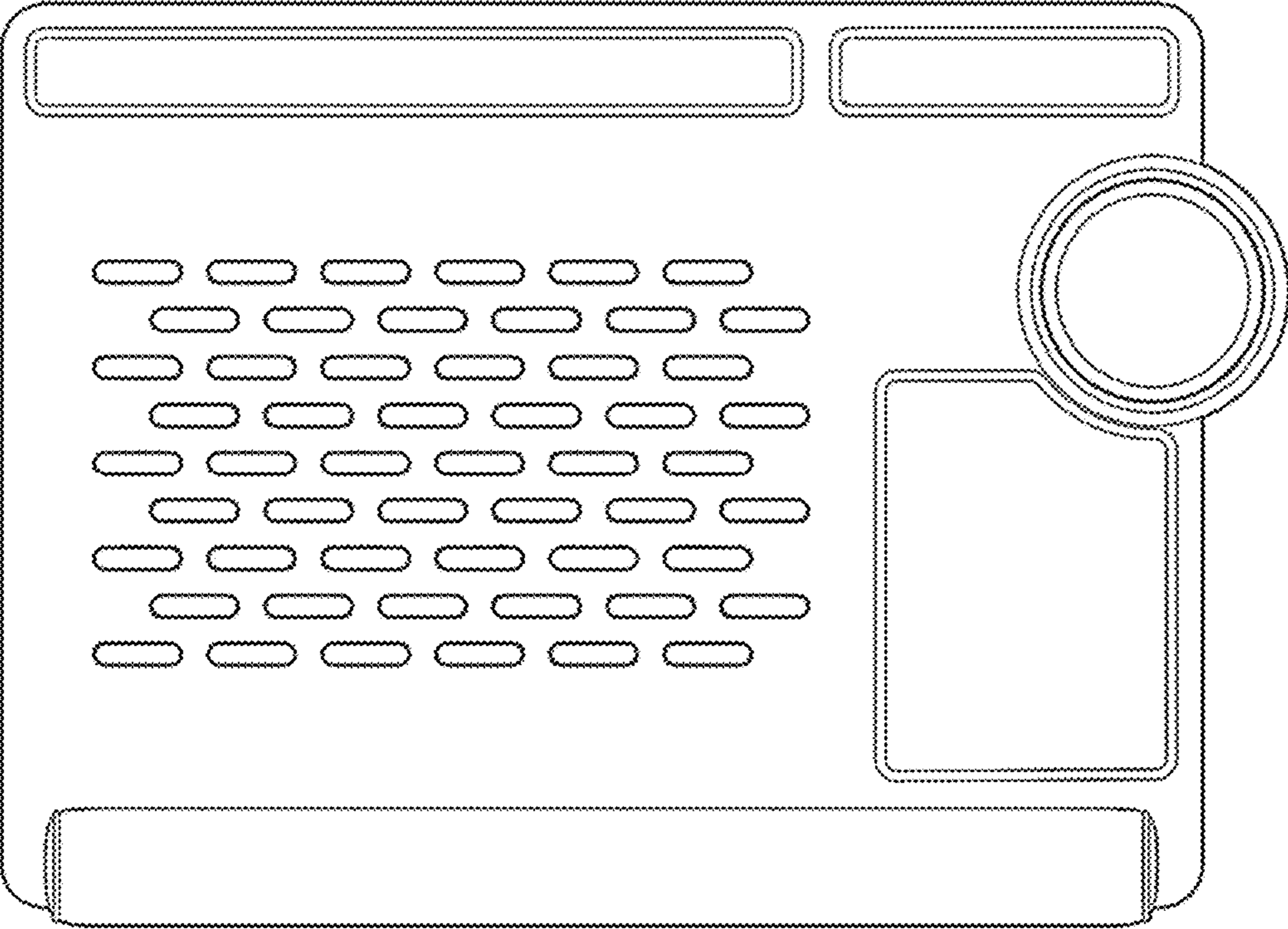


Fig. 1

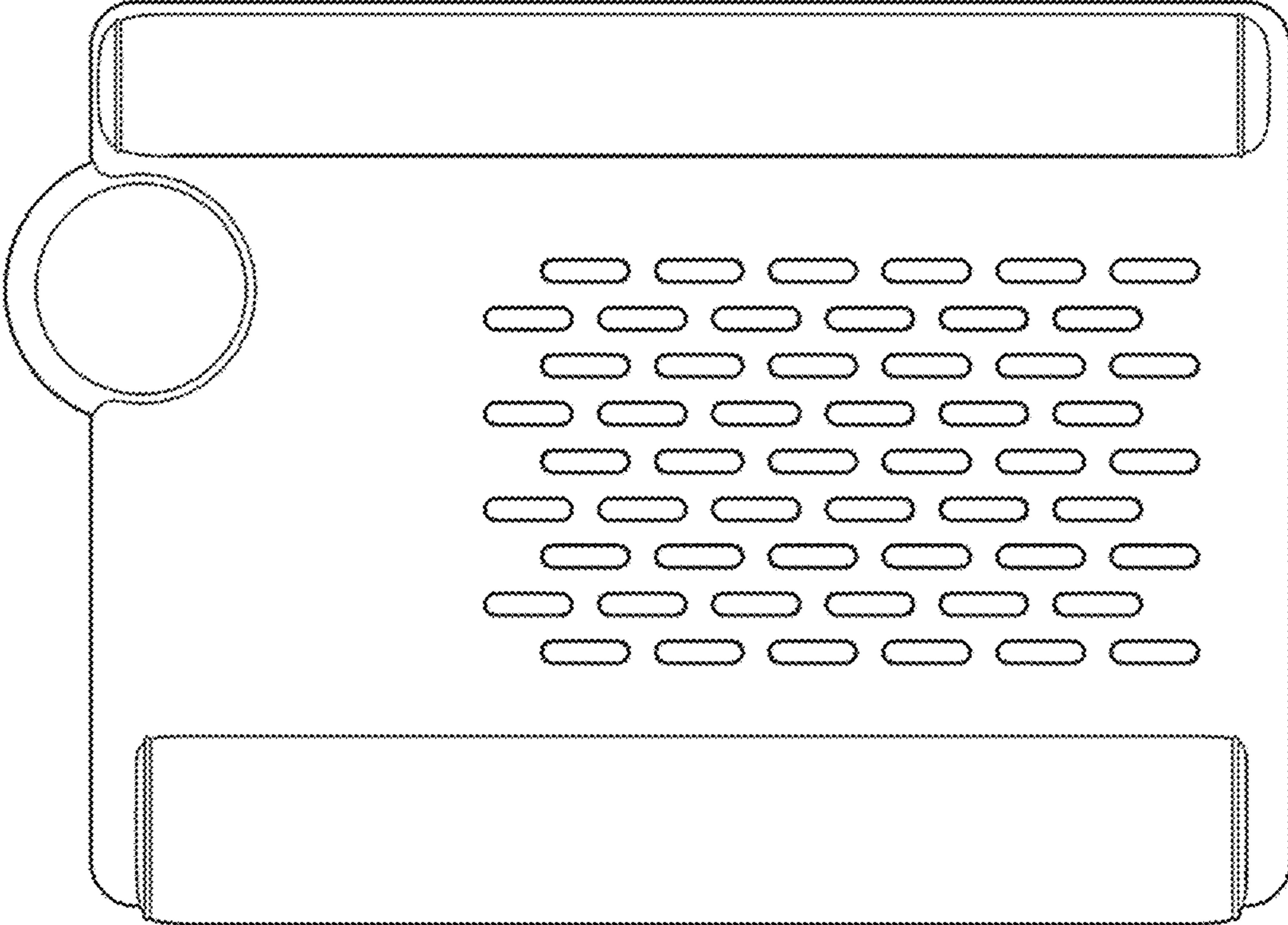


Fig. 2

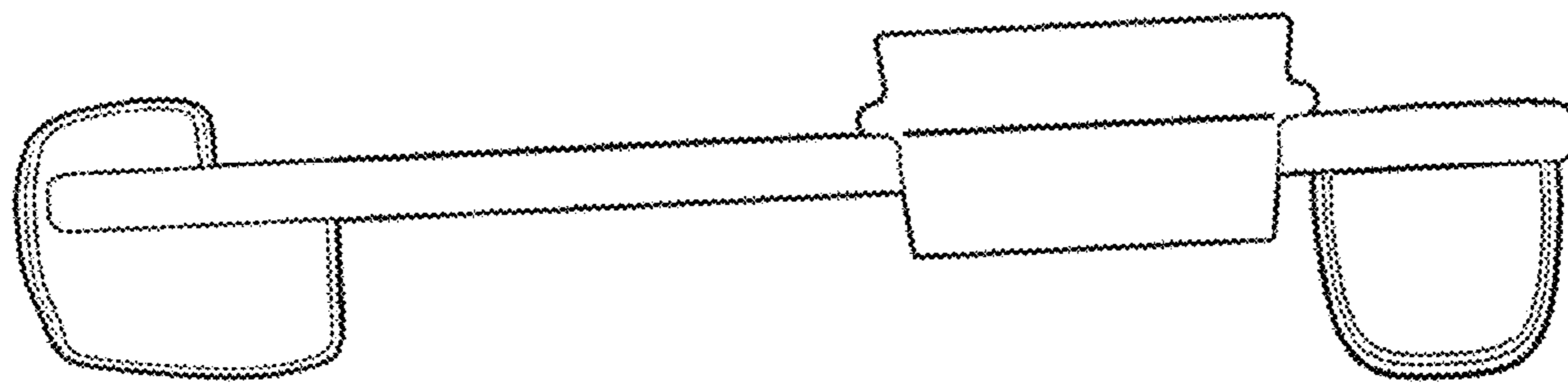


Fig. 3

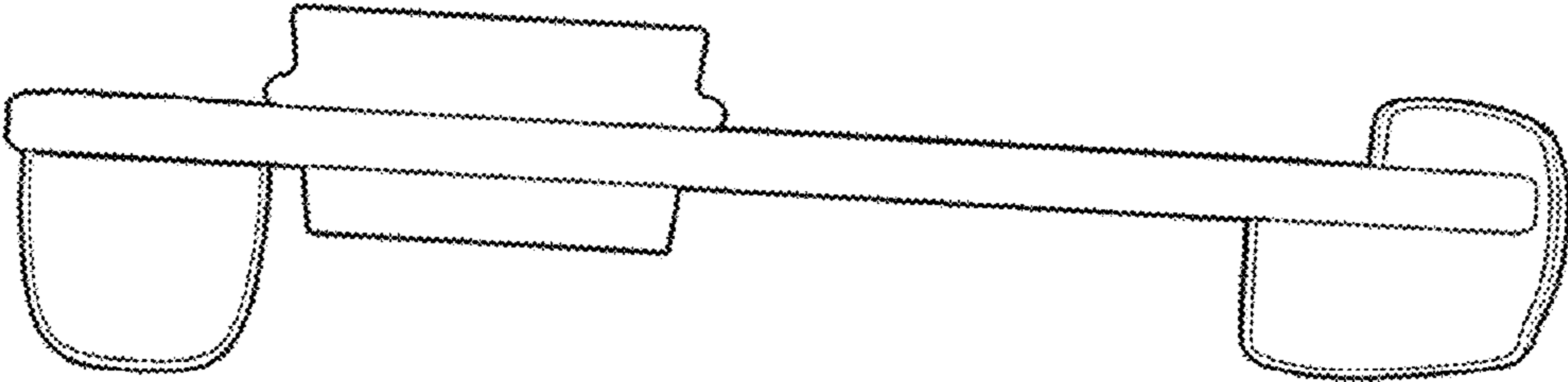


Fig. 4

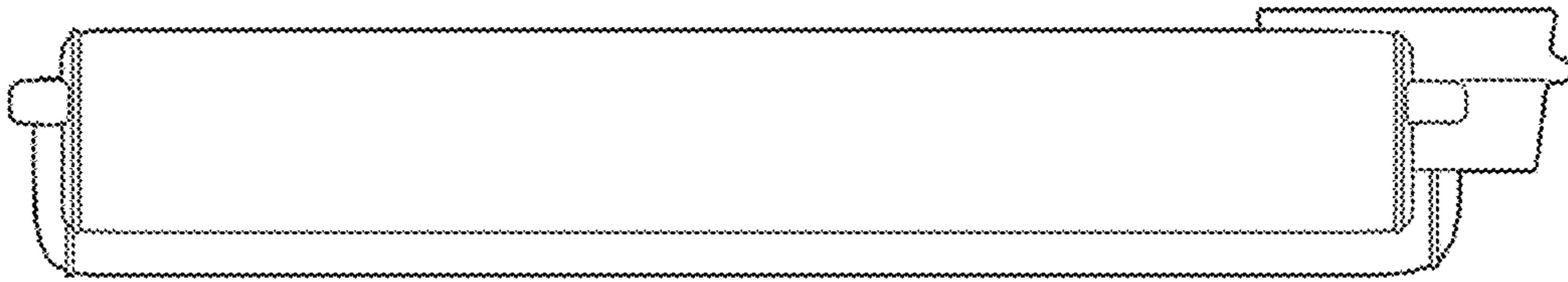


Fig. 5

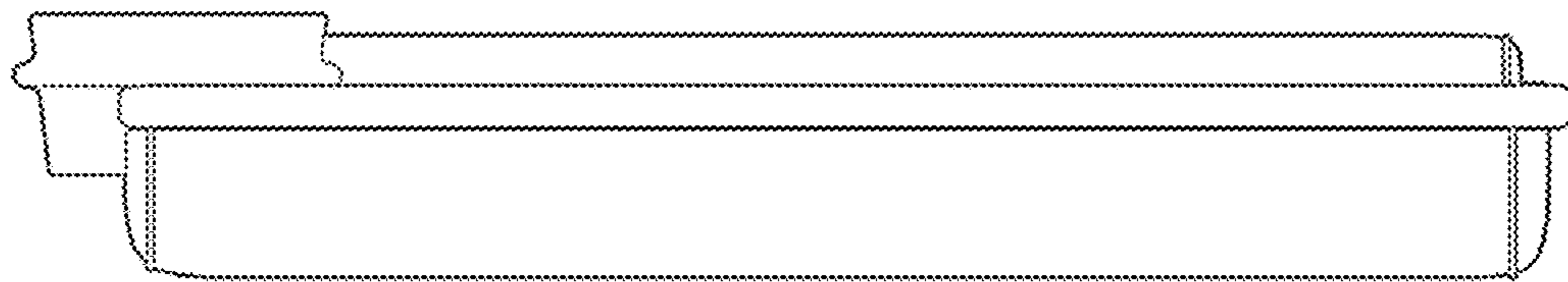


Fig. 6