



US00D932496S

(12) **United States Design Patent** (10) **Patent No.:** **US D932,496 S**
Moore et al. (45) **Date of Patent:** **** Oct. 5, 2021**

(54) **STAND FOR A DEVICE**

(71) Applicant: **Amazon Technologies, Inc.**, Seattle, WA (US)

(72) Inventors: **Jesse Moore**, Oakland, CA (US); **Sun Joo Han**, San Francisco, CA (US)

(73) Assignee: **Amazon Technologies, Inc.**, Seattle, WA (US)

(**) Term: **15 Years**

(21) Appl. No.: **29/728,295**

(22) Filed: **Mar. 17, 2020**

Related U.S. Application Data

(62) Division of application No. 29/654,945, filed on Jun. 28, 2018, now Pat. No. Des. 879,107.

(51) **LOC (13) Cl.** **08-07**

(52) **U.S. Cl.**
USPC **D14/447**

(58) **Field of Classification Search**
USPC D14/447, 432, 434, 439, 440, 451, 452, D14/457, 239, 253; D8/363, 373, 380; D6/406.3, 406.4, 406.5, 406.6; D19/78, D19/86, 87, 91
CPC A47B 21/04; A47B 2097/006; A47B 2097/005; A47B 2023/049; A45C 2011/002; A45C 2011/003; F16M 2200/00; F16M 13/00
See application file for complete search history.

(56) **References Cited**

U.S. PATENT DOCUMENTS

D455,755 S * 4/2002 Levine D14/447
D495,337 S * 8/2004 Zerman D14/447
D589,964 S 4/2009 Heggland et al.
D591,303 S 4/2009 Heggland et al.

D619,139 S 7/2010 Ho
D645,865 S 9/2011 Diehl
D676,450 S * 2/2013 Lye D14/447
D702,243 S 4/2014 Oh et al.
D703,675 S 4/2014 Jensen et al.
D703,677 S 4/2014 Bigazzi et al.
D712,905 S 9/2014 Miyazaki et al.
D768,639 S * 10/2016 Sumii D14/447
D769,247 S * 10/2016 Heyen D14/447
D786,843 S 5/2017 Lee et al.
D791,140 S * 7/2017 Nuk D14/447
D797,109 S * 9/2017 Pisapia D14/447
D798,874 S 10/2017 Klabukov et al.
D834,028 S 11/2018 Wu
D837,220 S * 1/2019 Sumii D14/447

(Continued)

OTHER PUBLICATIONS

Canadian Office Action dated Dec. 3, 2019, for Canadian Design Application No. 184867, a counterpart foreign application of the Design U.S. Appl. No. 29/650,422, 2 pages.

(Continued)

Primary Examiner — Angela J Lee
(74) *Attorney, Agent, or Firm* — Lee & Hayes, P.C.

(57) **CLAIM**

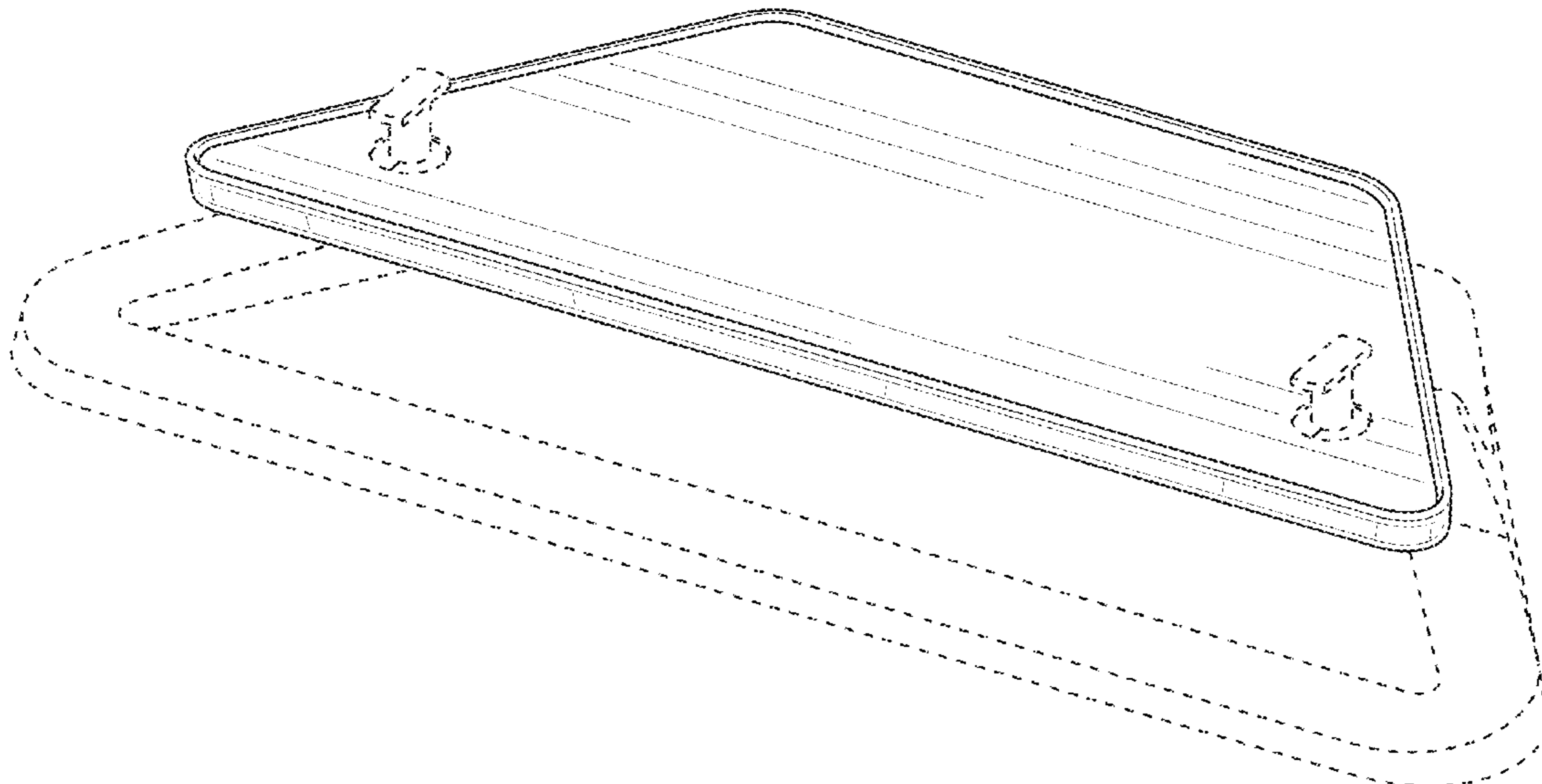
The ornamental design for a stand for a device, as shown and described.

DESCRIPTION

FIG. 1 is a top perspective view of a stand for a device; FIG. 2 is a front view thereof; FIG. 3 is a back view thereof; FIG. 4 is a right-side view thereof; FIG. 5 is a left-side view thereof; FIG. 6 is a top view thereof; and, FIG. 7 is a bottom view thereof.

The broken lines depict portions of the stand for a device that form no part of the claimed design.

1 Claim, 7 Drawing Sheets



(56)

References Cited

U.S. PATENT DOCUMENTS

D876,425 S	*	2/2020	Moore	D14/253
D879,107 S	*	3/2020	Moore	D14/447
D894,195 S	*	8/2020	Chen	D14/447
D898,731 S	*	10/2020	Moore	D14/253

OTHER PUBLICATIONS

Indian Office Action dated Jan. 18, 2019 for Indian Design Application No. 312776-001, a counterpart foreign application of the Design U.S. Appl. No. 29/650,422, 2 pages.

Korean Office Action dated Jun. 19, 2019 for Korean Design Application No. 30-2018-56661, a counterpart foreign application of the Design U.S. Appl. No. 29/650,422, 2 pages.

Canadian Office Action dated Mar. 5, 2020 for Canadian Patent Application No. 184867, a counterpart of U.S. Pat. No. D. 879,107, 2 pages.

* cited by examiner

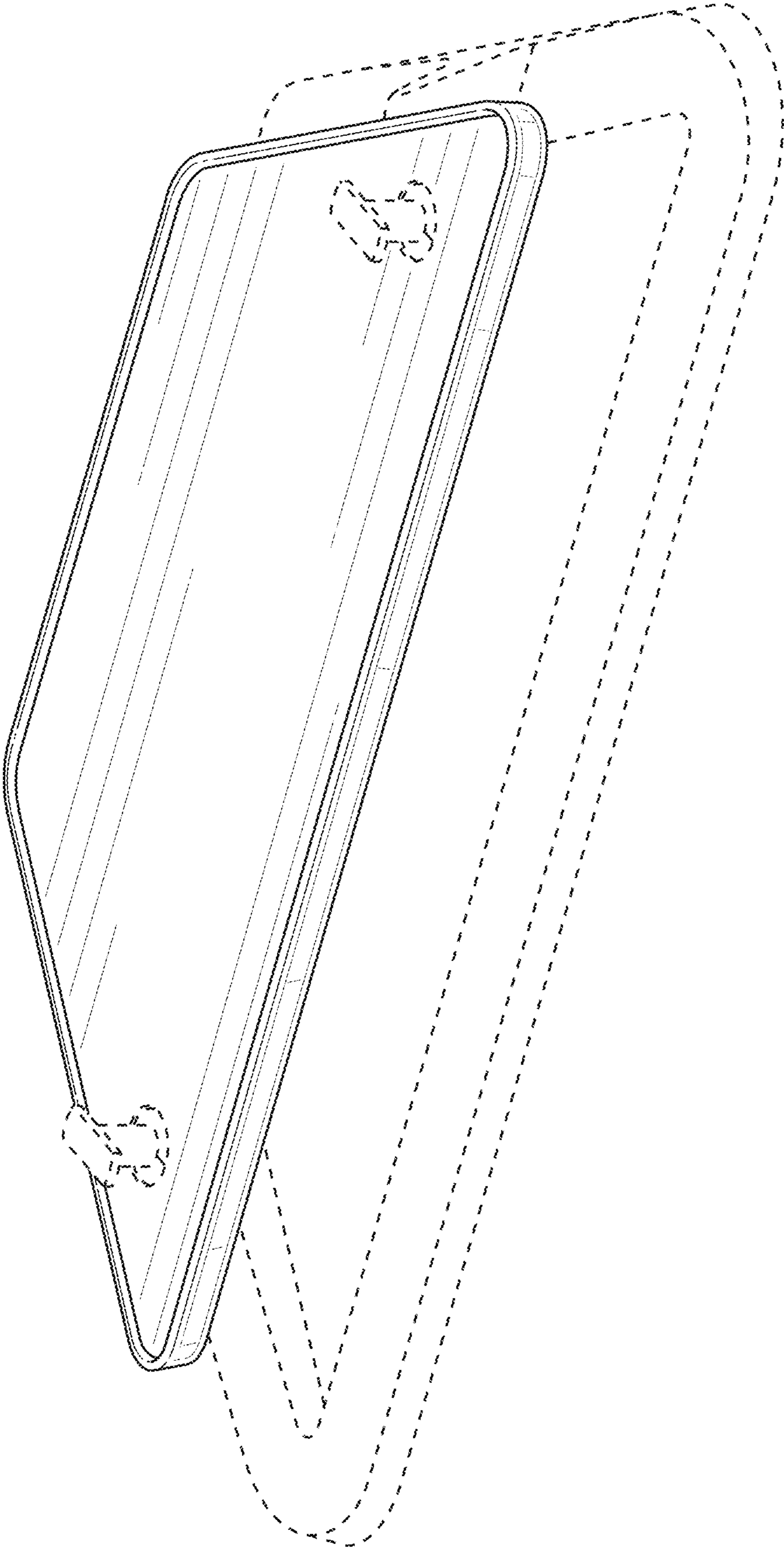


FIG. 1

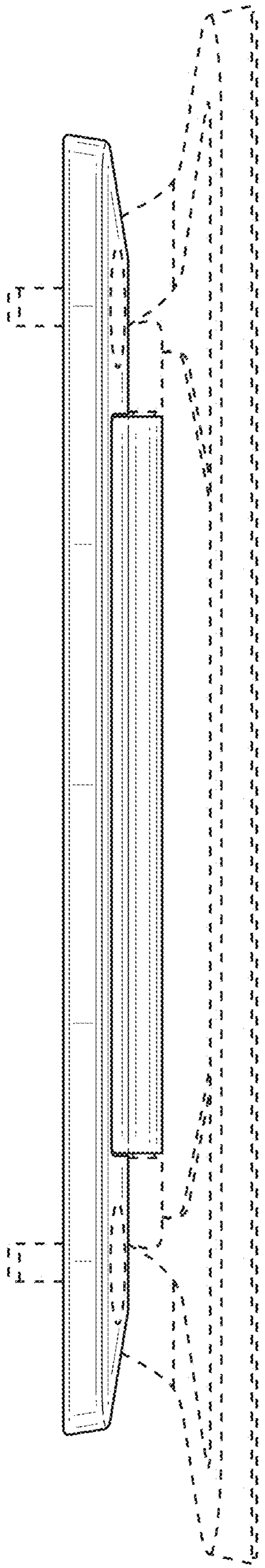


FIG. 2

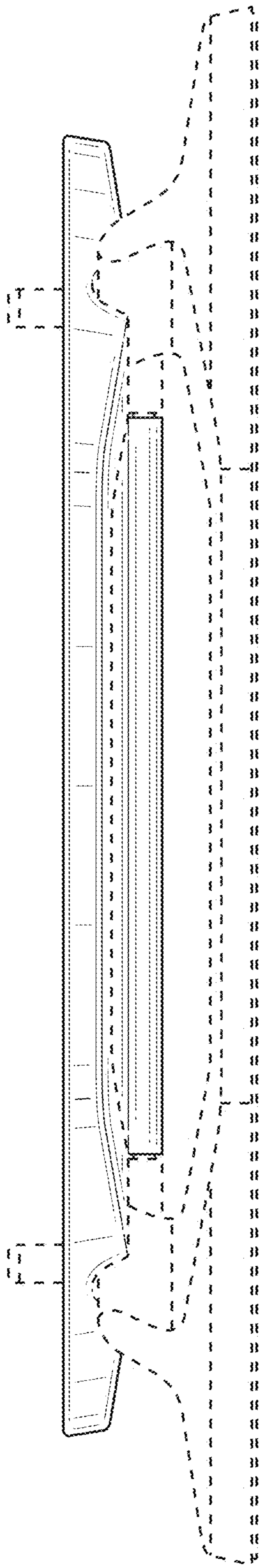


FIG. 3

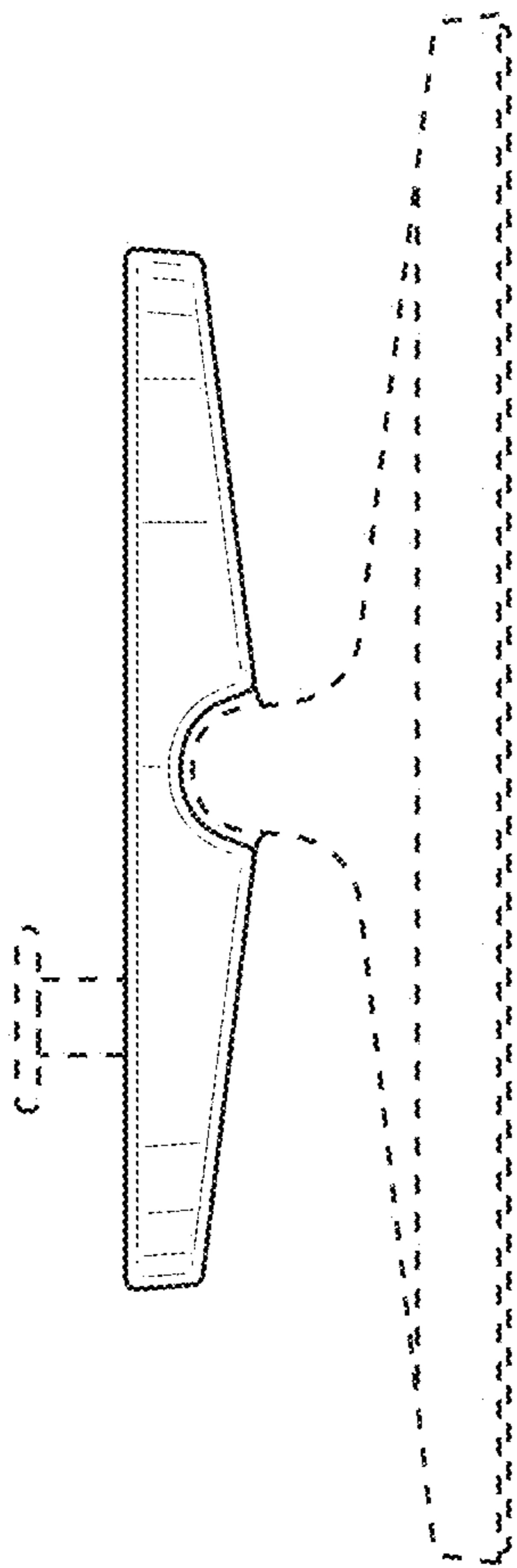


FIG. 4

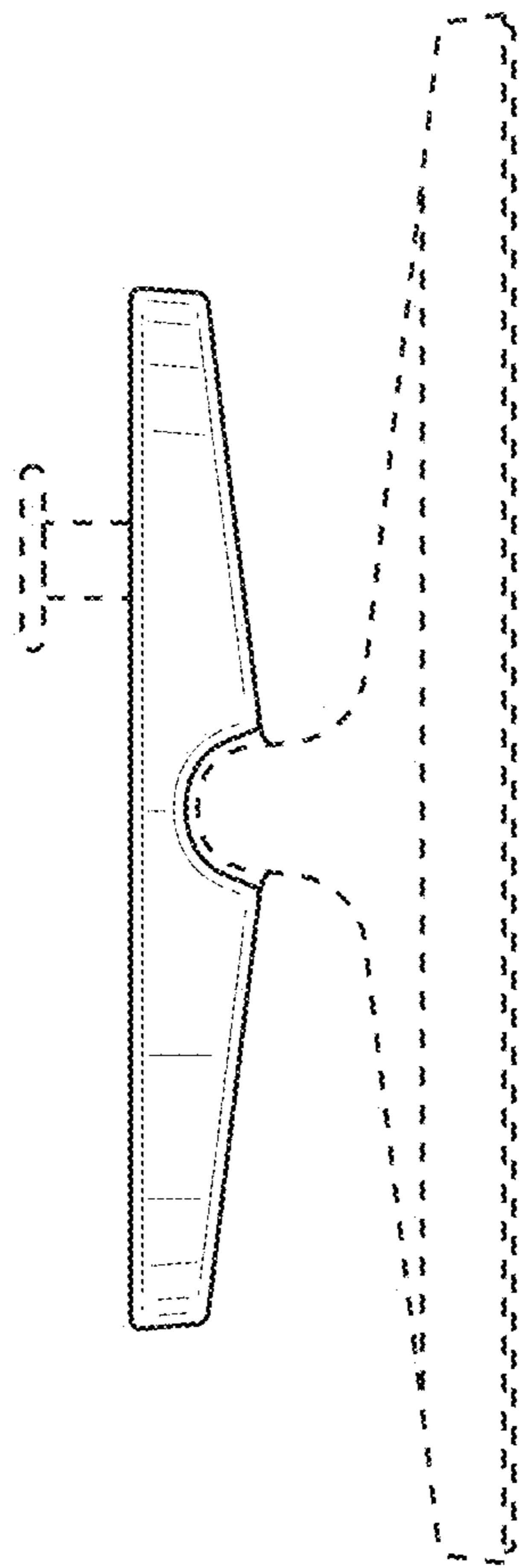


FIG. 5

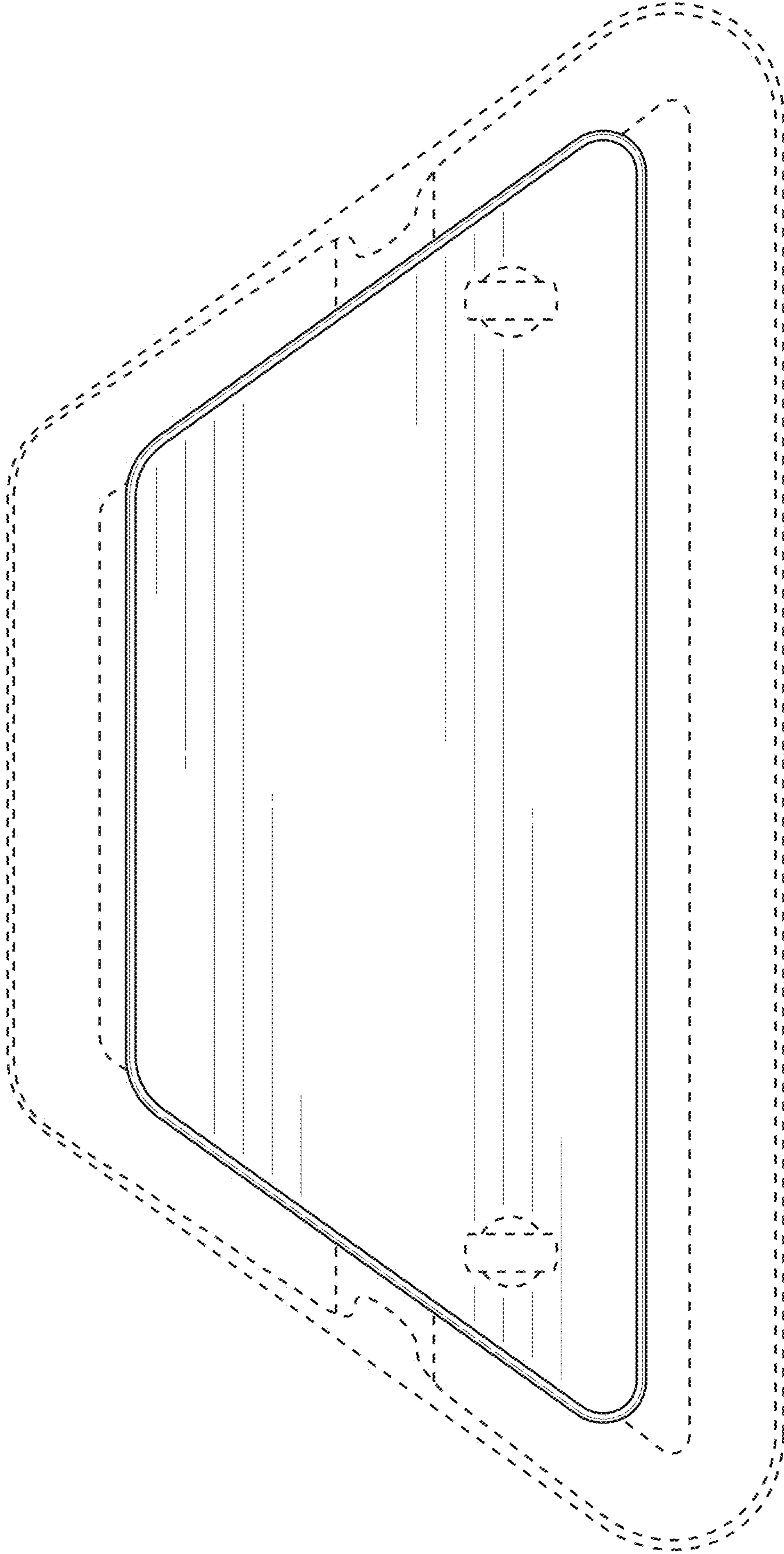


FIG. 6

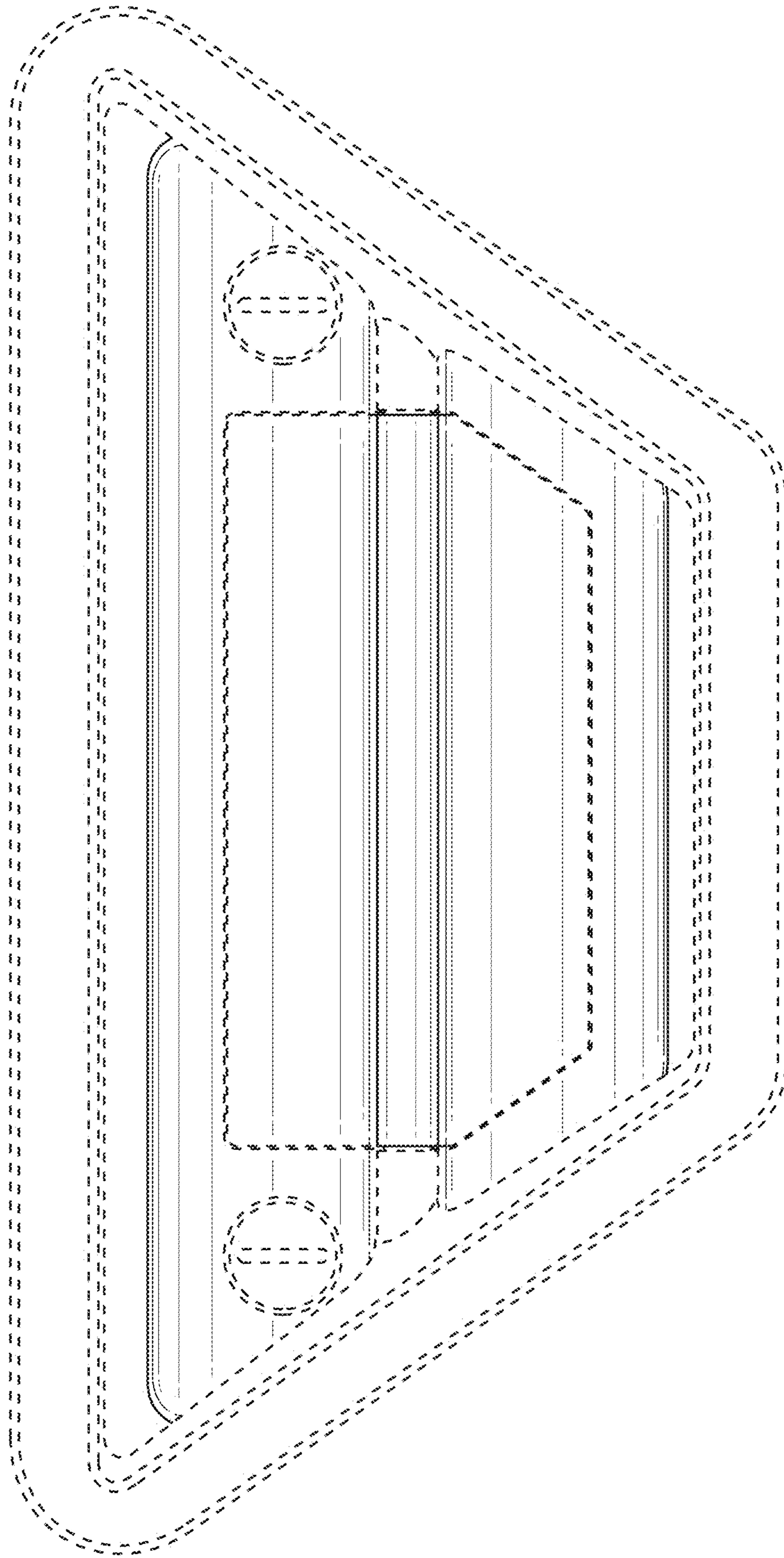


FIG. 7