



US00D932494S

(12) **United States Design Patent**  
**Vozzi et al.**

(10) **Patent No.:** **US D932,494 S**  
(45) **Date of Patent:** **\*\* Oct. 5, 2021**

(54) **DATA PROCESSING DEVICE**

(71) Applicant: **AXIS AB**, Lund (SE)

(72) Inventors: **Mariano Vozzi**, Lund (SE); **Mathias Walter**, Lund (SE); **Sebastian Engwall**, Lund (SE); **Jonas Sjogren**, Lund (SE)

(73) Assignee: **AXIS AB**, Lund (SE)

(\*\*) Term: **15 Years**

(21) Appl. No.: **29/714,347**

(22) Filed: **Nov. 22, 2019**

(30) **Foreign Application Priority Data**

May 24, 2019 (EM) ..... 006510640-0004

(51) **LOC (13) Cl.** ..... **14-02**

(52) **U.S. Cl.**  
USPC ..... **D14/441**

(58) **Field of Classification Search**  
USPC ..... D14/300-304, 308-314, 328, 348-370,  
D14/432, 435, 440-446, 479-483, 140.1,  
D14/140.4, 164, 193; D13/152, 184  
CPC ... G06F 1/16; G06F 1/19; G06F 1/181; G06F  
1/182; G06F 1/20; G06F 1/206; H05K  
7/1427; H05K 7/1485; H05K 7/1487;  
H05K 7/20; H05K 5/00  
See application file for complete search history.

(56) **References Cited**

**U.S. PATENT DOCUMENTS**

D358,135 S \* 5/1995 Chiodo ..... D14/354  
D376,153 S \* 12/1996 Larson ..... D14/257  
D390,850 S \* 2/1998 Larson ..... D13/184  
D629,398 S \* 12/2010 Chang ..... D14/240  
D632,689 S \* 2/2011 Busri ..... D14/356  
D682,280 S \* 5/2013 Vaughan ..... D14/444  
D699,720 S \* 2/2014 Kuehn ..... D14/348

D700,612 S \* 3/2014 Kuehn ..... D14/444  
D735,186 S \* 7/2015 Terwilliger ..... D14/313  
D740,293 S \* 10/2015 Kuehn ..... D14/444  
D748,093 S \* 1/2016 Russette ..... D14/356  
D748,627 S \* 2/2016 Russette ..... D14/356  
D748,638 S \* 2/2016 Russette ..... D14/444  
D750,033 S \* 2/2016 Privitera ..... D13/184  
D765,087 S \* 8/2016 Russette ..... D14/444  
D768,135 S \* 10/2016 Ignomirello ..... D14/439  
D768,136 S \* 10/2016 Ignomirello ..... D14/439  
9,575,517 B1 \* 2/2017 Egan ..... G06F 1/181  
D788,741 S \* 6/2017 Ito ..... D14/188

(Continued)

**OTHER PUBLICATIONS**

Owen, Frank, HP Gen8: More then just a Pretty Face . . . plate, posted at TechVirtuoso, posting date May 7, 2012. Site visited Mar. 27, 2021. URL: <<https://techvirtuoso.com/2012/05/07/hp-gen8-more-then-just-a-pretty-face-plate/>> (Year: 2012).\*

(Continued)

*Primary Examiner* — Kathleen L Jones

(74) *Attorney, Agent, or Firm* — Volpe Koenig

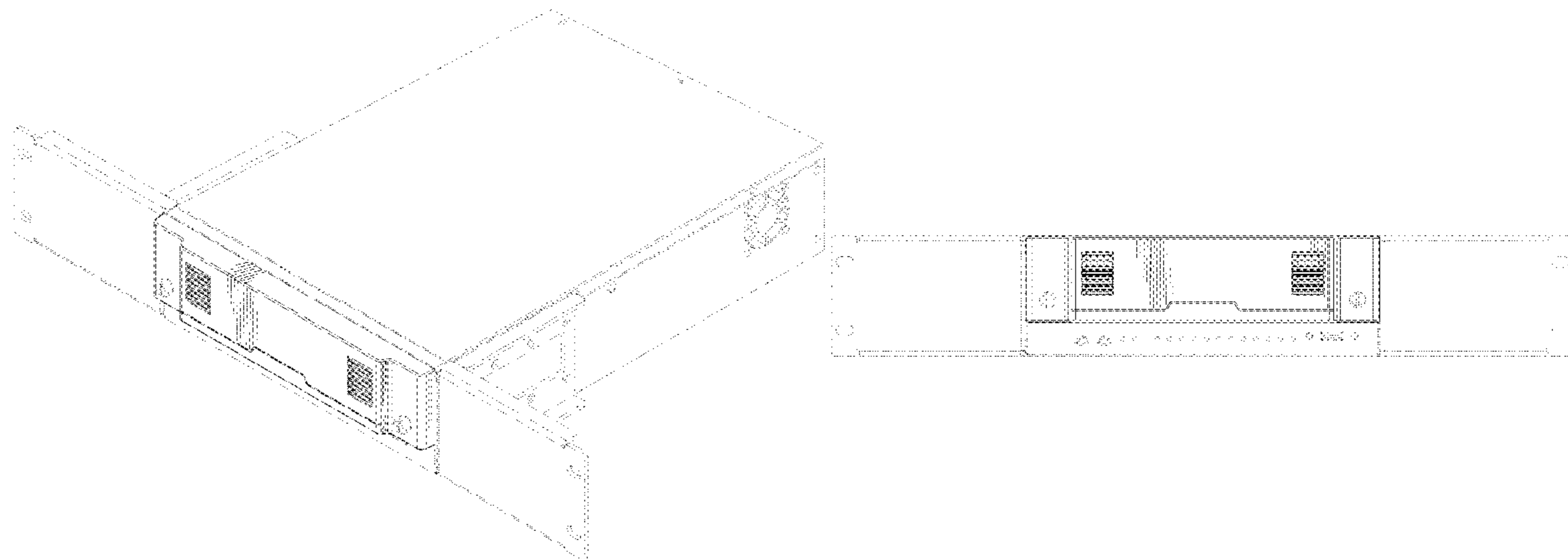
(57) **CLAIM**

The ornamental design for a data processing device, as shown and described.

**DESCRIPTION**

FIG. 1 is a perspective view of a data processing device in accordance with our design;  
FIG. 2 is a front elevational view thereof;  
FIG. 3 is a top plan view thereof;  
FIG. 4 is a right side elevational view thereof;  
FIG. 5 is a left side elevational view thereof;  
FIG. 6 is a rear elevational view thereof; and,  
FIG. 7 is a bottom plan view thereof.  
The broken lines depict portions of the data processing device that form no part of the claimed design.

**1 Claim, 4 Drawing Sheets**



(56)

**References Cited**

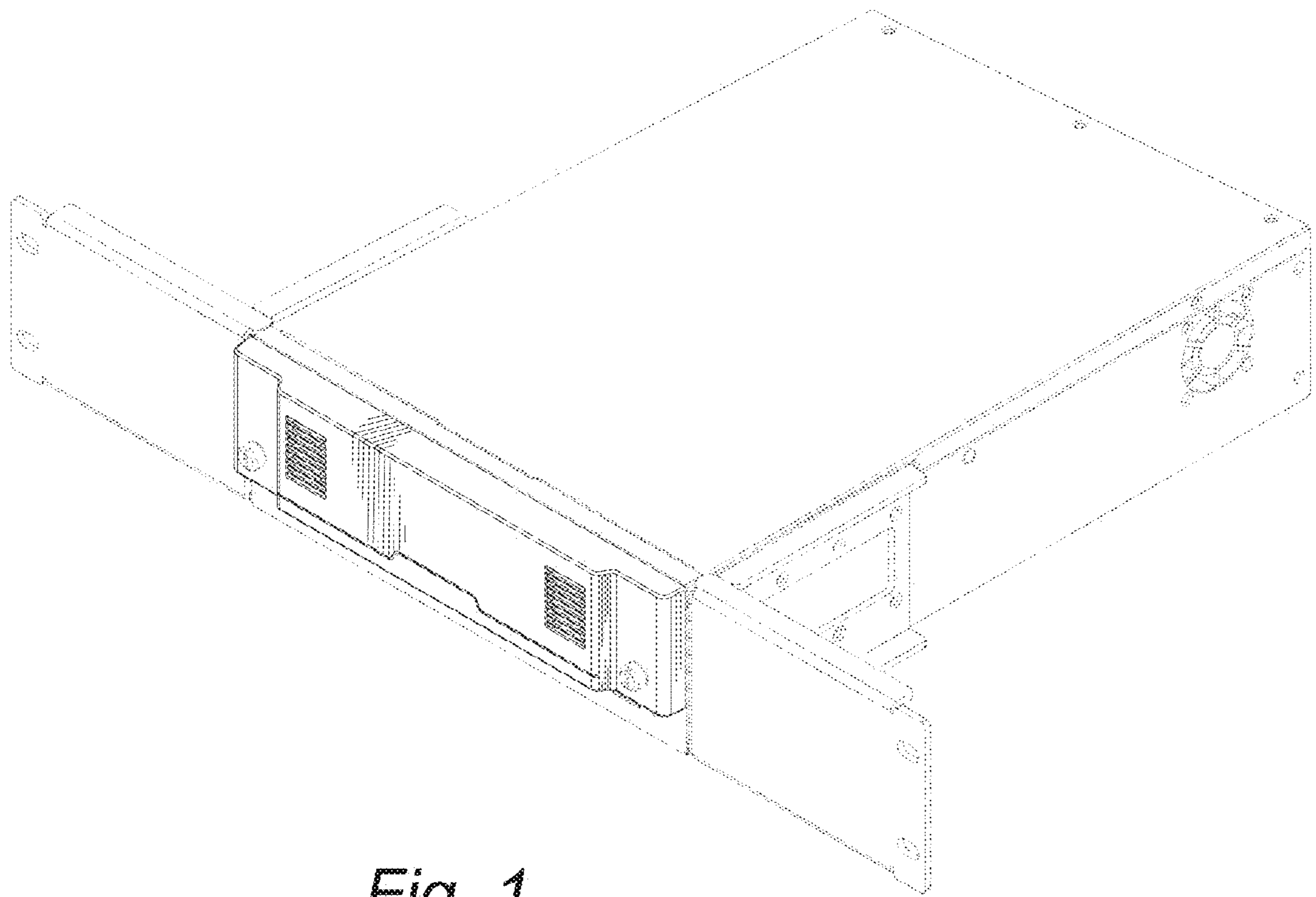
## U.S. PATENT DOCUMENTS

D801,977 S \* 11/2017 Crisp ..... D14/444  
D817,963 S \* 5/2018 Ravat ..... D14/444  
D835,111 S \* 12/2018 Guzman ..... D14/444  
D837,785 S \* 1/2019 Izumo ..... D14/358  
D842,304 S \* 3/2019 Depay ..... D14/435  
D868,069 S \* 11/2019 Hung ..... D14/435  
D906,276 S \* 12/2020 Liu ..... D14/188  
D924,139 S \* 7/2021 Jayme ..... D13/123  
2006/0293098 A1 \* 12/2006 Lin ..... H05K 5/0086  
455/575.8  
2007/0064385 A1 \* 3/2007 Paul ..... G06F 1/187  
361/679.4  
2013/0308266 A1 \* 11/2013 Sullivan ..... H05K 7/1497  
361/679.46  
2014/0218859 A1 \* 8/2014 Shelnut ..... G06F 1/206  
361/679.46  
2018/0164619 A1 \* 6/2018 Kim ..... G02F 1/133308  
2019/0090382 A1 \* 3/2019 Cho ..... H05K 7/20727  
2019/0246514 A1 \* 8/2019 Hill ..... G11B 33/0433  
2020/0367387 A1 \* 11/2020 Selvidge ..... H05K 7/20509  
2021/0127522 A1 \* 4/2021 Wang ..... H05K 7/20172

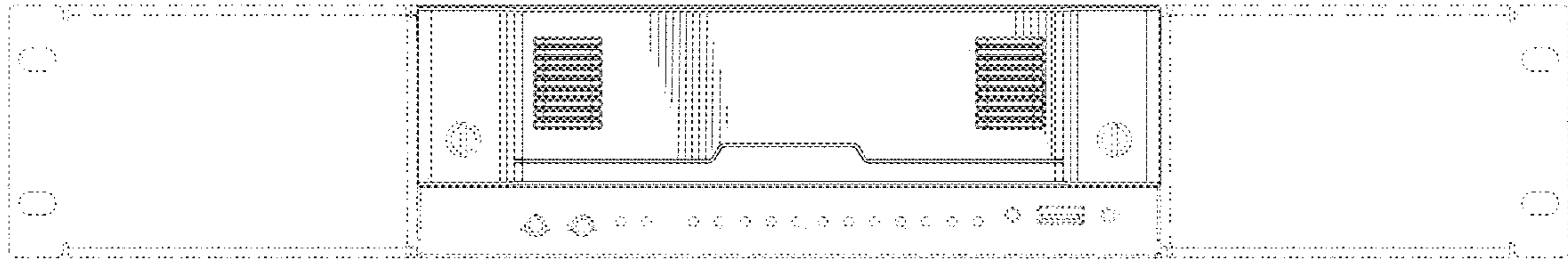
## OTHER PUBLICATIONS

G-Technology G-Rack 12 96TB 12-Bay SAS NAS, posted at B&H, posting date Aug. 14, 2016. Site visited Mar. 27, 2021. URL: <[https://www.bhphotovideo.com/c/product/1262957-REG/g\\_technology\\_0g04922\\_g\\_rack\\_12\\_96tb\\_128gb\\_ram.html](https://www.bhphotovideo.com/c/product/1262957-REG/g_technology_0g04922_g_rack_12_96tb_128gb_ram.html)> (Year: 2016).\*

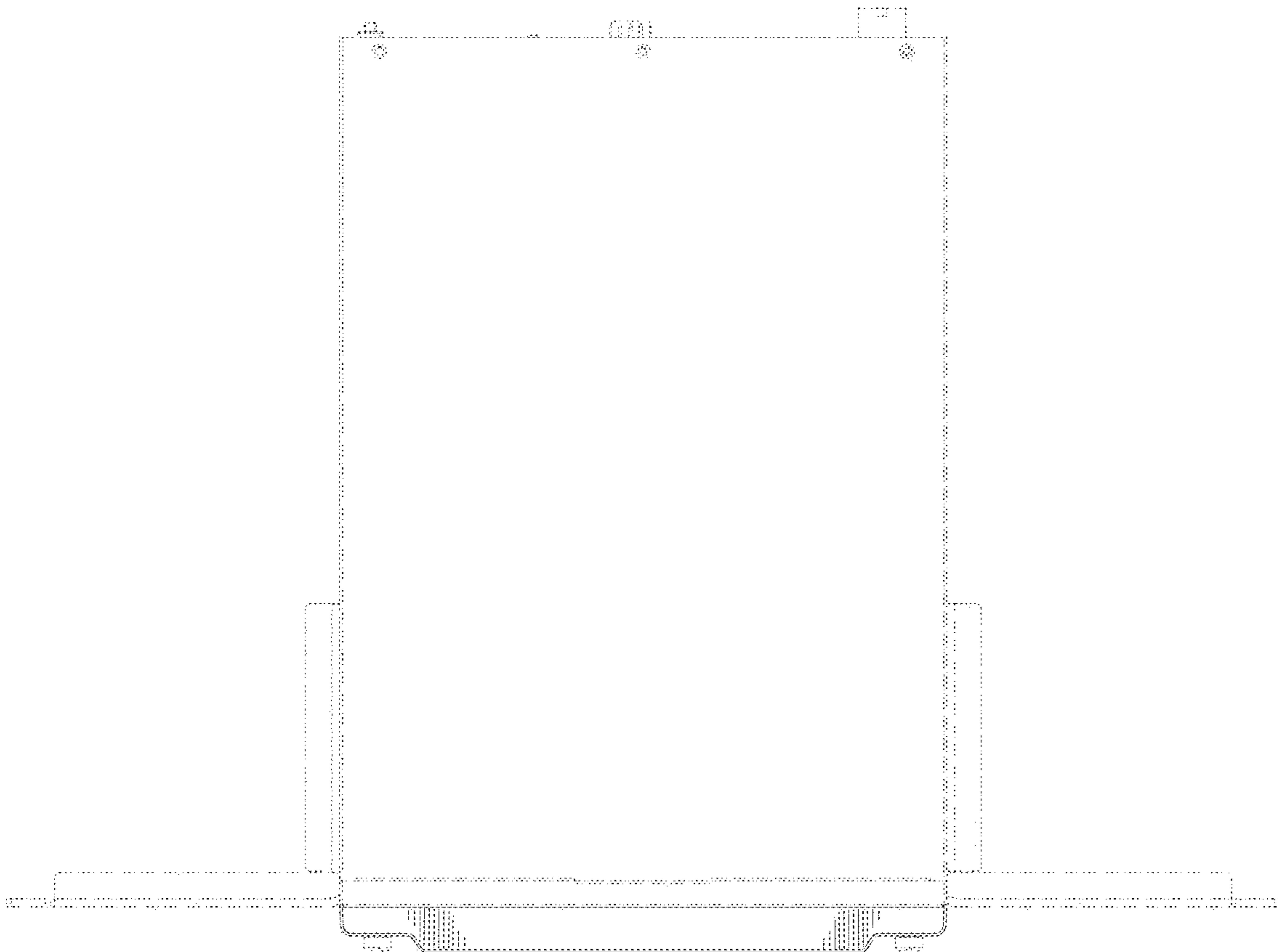
\* cited by examiner



*Fig. 1*



*Fig. 2*



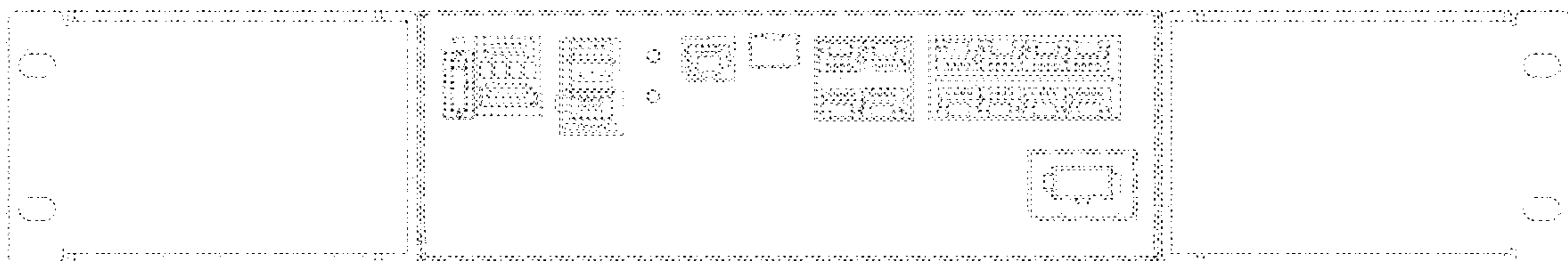
*Fig. 3*



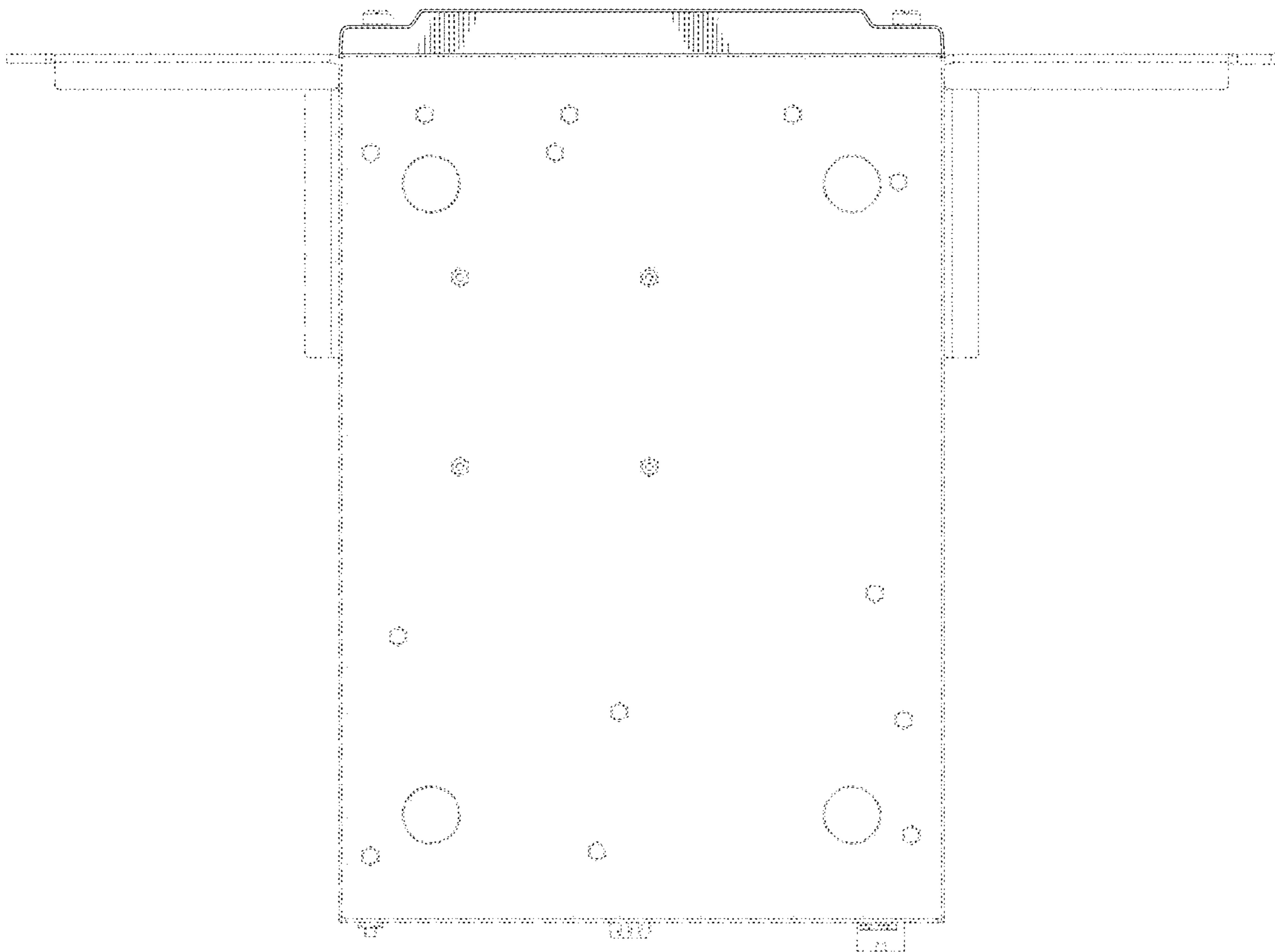
*Fig. 4*



*Fig. 5*



*Fig. 6*



*Fig. 7*