



US00D932493S

(12) **United States Design Patent** (10) **Patent No.:** **US D932,493 S**
Xiong (45) **Date of Patent:** **** Oct. 5, 2021**

(54) **TABLET CASE**

(71) Applicant: **Guobin Xiong**, Liuyang (CN)

(72) Inventor: **Guobin Xiong**, Liuyang (CN)

(**) Term: **15 Years**

(21) Appl. No.: **29/719,982**

(22) Filed: **Jan. 9, 2020**

(51) **LOC (13) Cl.** **14-02**

(52) **U.S. Cl.**
USPC **D14/440**

(58) **Field of Classification Search**
USPC D14/440, 447, 250; 206/45.23, 320,
206/45.2; 361/679.55; 294/25; 224/218
CPC ... G06F 1/1628; G06F 1/1626; A47B 23/044;
H04B 1/3888
See application file for complete search history.

(56) **References Cited**

U.S. PATENT DOCUMENTS

4,259,568	A *	3/1981	Dynesen	G06F 15/0216 206/305
5,375,076	A *	12/1994	Goodrich	G06F 1/1626 361/679.17
7,042,712	B2 *	5/2006	Ghosh	G06F 1/1605 206/320
8,139,357	B2 *	3/2012	Trang	G06F 1/203 361/679.59
9,227,763	B2 *	1/2016	Gengler	G06F 1/16
D753,648	S *	4/2016	Shyu	D14/315
D772,880	S *	11/2016	Corcoran	D14/440
9,489,054	B1 *	11/2016	Sumsion	G06F 1/1681
D792,884	S *	7/2017	Nyholm	D14/440
9,769,293	B2 *	9/2017	Gu	G06F 1/1679
D801,976	S *	11/2017	Li	D14/440
D885,402	S *	5/2020	Lei	D14/440
D892,128	S *	8/2020	Chen	D14/440
D908,132	S *	1/2021	Poon	D14/440

D912,060	S *	3/2021	Zhu	D14/440
D918,215	S *	5/2021	Hyun	D14/440
D920,337	S *	5/2021	Chan	D14/440
2001/0009500	A1 *	7/2001	Selker	G06F 3/0395 361/679.55
2009/0017883	A1 *	1/2009	Lin	H04M 1/026 455/575.8
2010/0294909	A1 *	11/2010	Hauser	B42D 9/00 248/456
2012/0140396	A1 *	6/2012	Zeliff	G06F 1/1632 361/679.09
2012/0194448	A1 *	8/2012	Rothkopf	G06F 1/1616 345/173
2013/0233762	A1 *	9/2013	Balaji	B29C 65/7802 206/736

(Continued)

Primary Examiner — Cynthia R Underwood

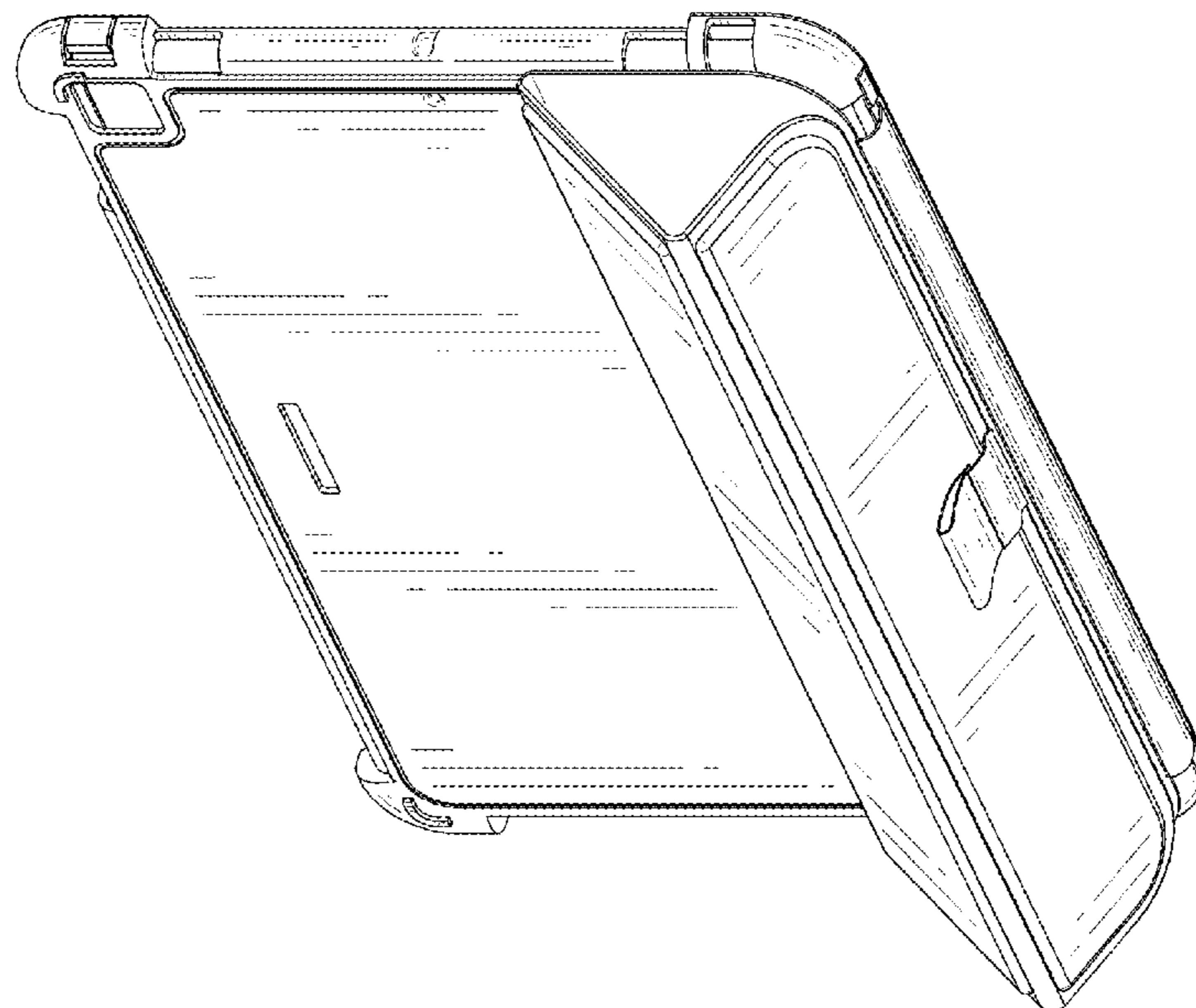
(57) **CLAIM**

The ornamental design for a tablet case, as shown and described.

DESCRIPTION

FIG. 1 is a perspective view of a tablet case showing my new design;
FIG. 2 is another perspective view thereof;
FIG. 3 is a front elevational view thereof;
FIG. 4 is a rear elevational view thereof;
FIG. 5 is a left side elevational view thereof;
FIG. 6 is a right side elevational view thereof;
FIG. 7 is a top plan view thereof;
FIG. 8 is a bottom plan view thereof;
FIG. 9 is a perspective view of the tablet case where the tablet case is in a configuration of use;
FIG. 10 is a perspective view of the tablet case where the tablet case is in another configuration of use; and,
FIG. 11 is an exploded perspective view of the tablet case.
The broken lines in the drawings depict portions of the tablet case that form no part of the claimed design.

1 Claim, 11 Drawing Sheets



(56)

References Cited

U.S. PATENT DOCUMENTS

2013/0277271 A1* 10/2013 Toulotte A45C 13/1069
206/752
2014/0139989 A1* 5/2014 Mori G06F 1/1626
361/679.09
2015/0280768 A1* 10/2015 Huang H04B 1/3888
455/575.8
2015/0296060 A1* 10/2015 Gu G06F 1/162
455/575.4
2016/0349794 A1* 12/2016 Yeh G06F 3/0426

* cited by examiner

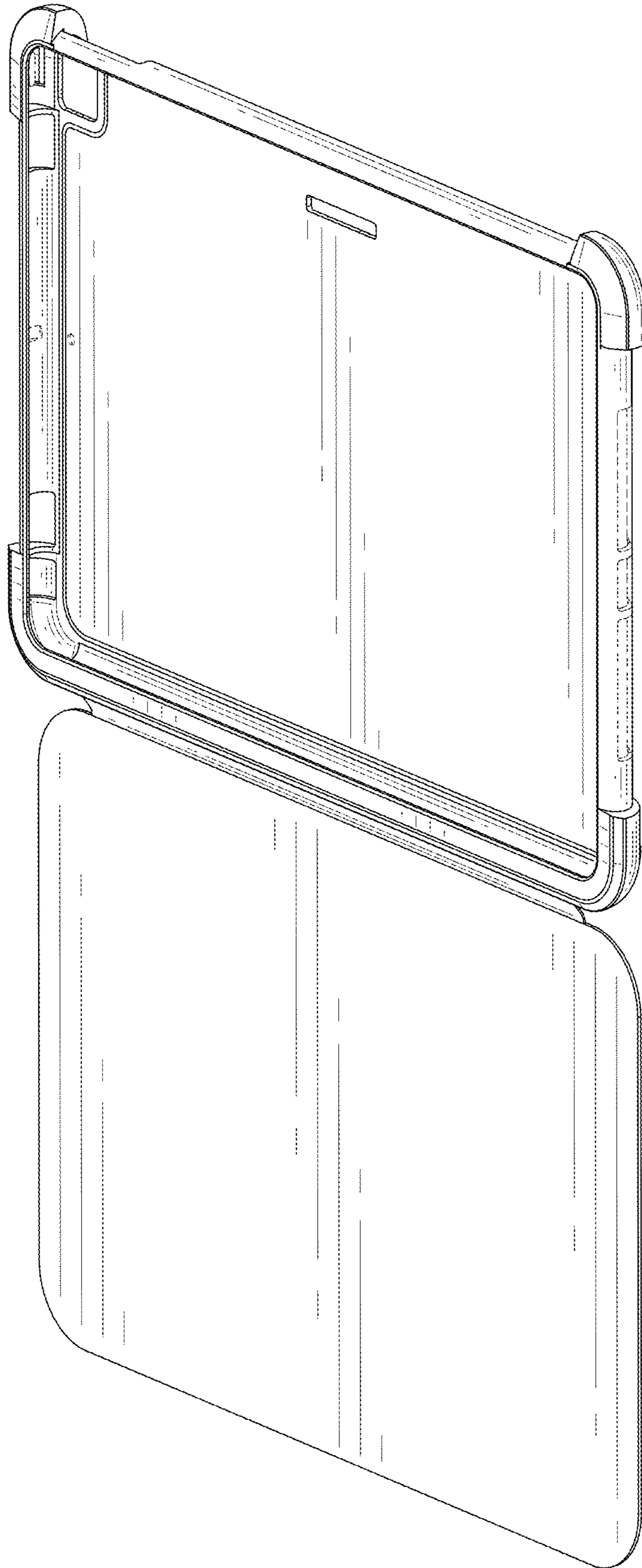


FIG. 1

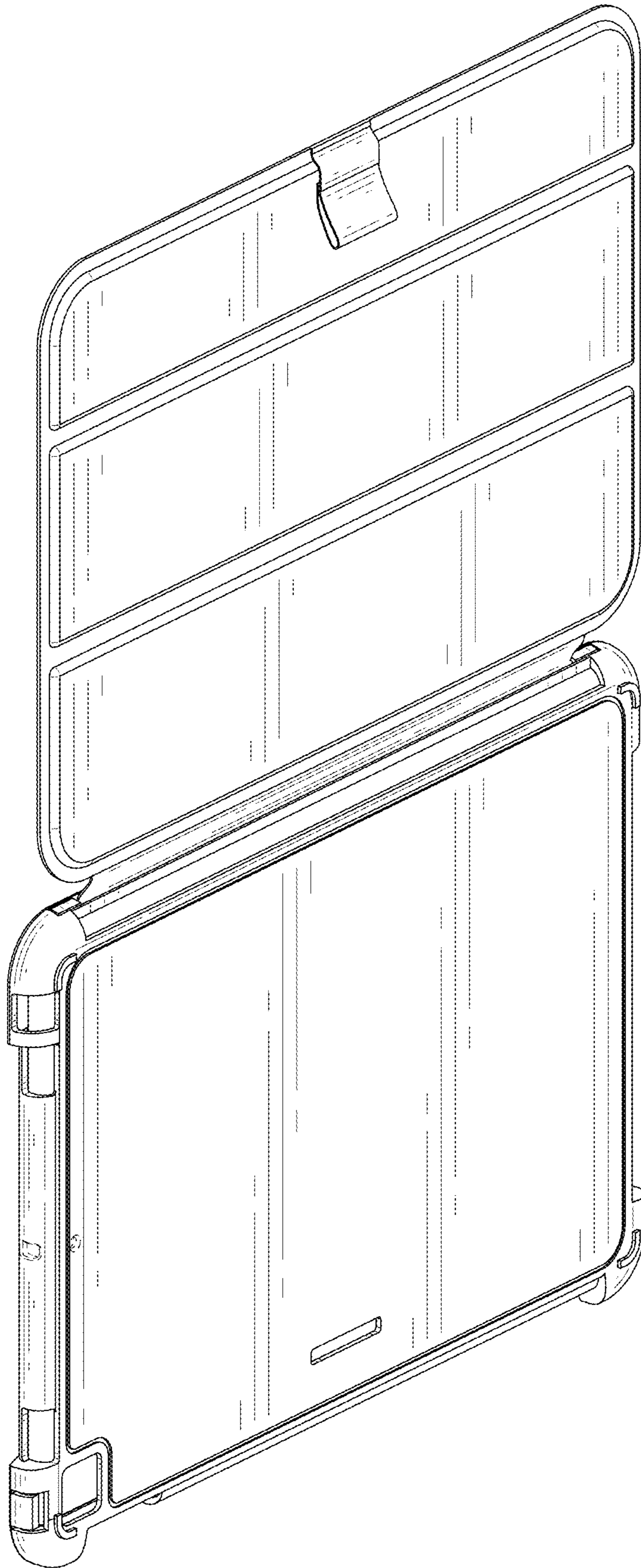


FIG. 2

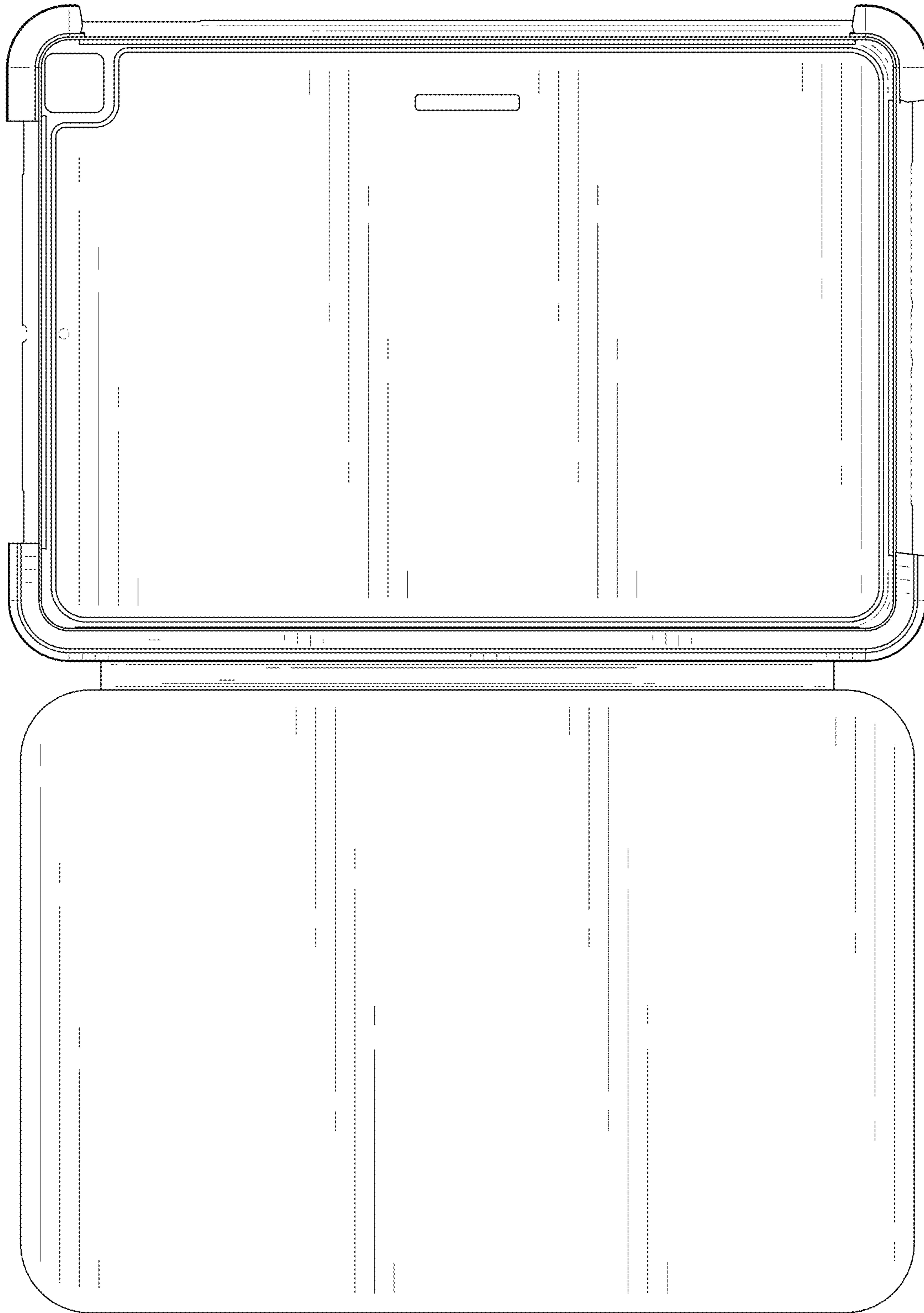


FIG. 3

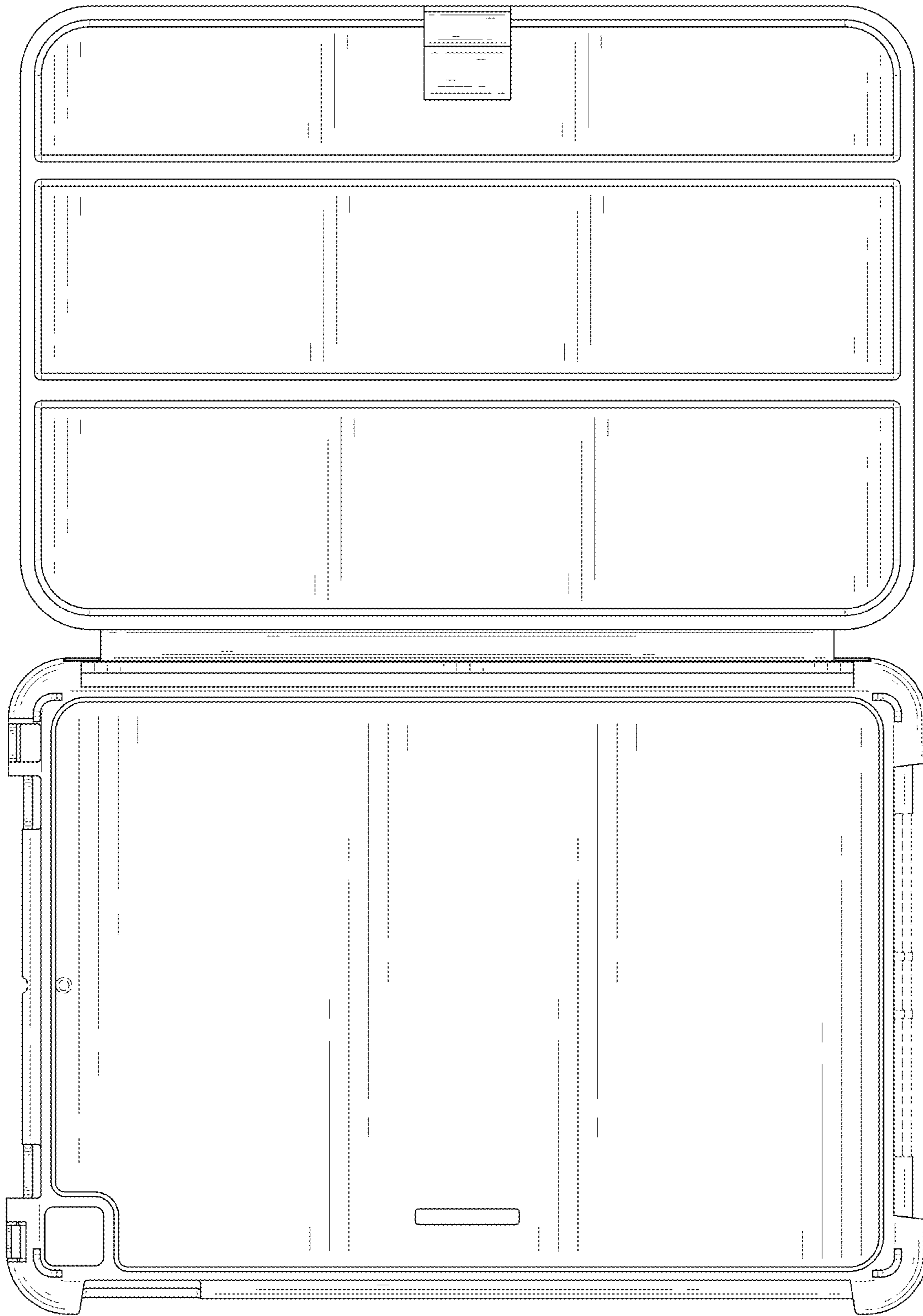


FIG. 4



FIG. 5

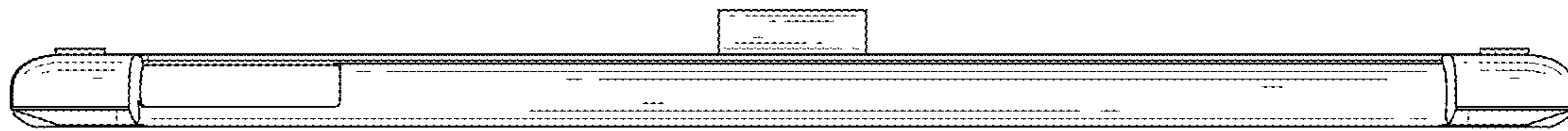


FIG. 6

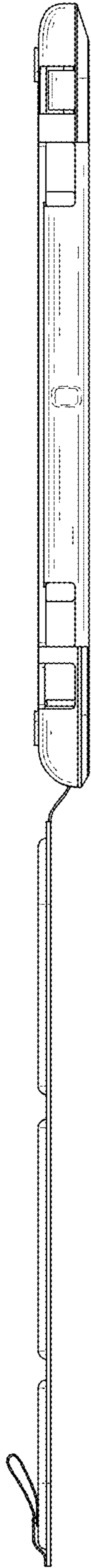


FIG. 7

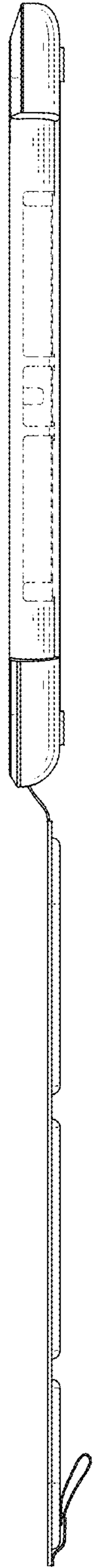


FIG. 8

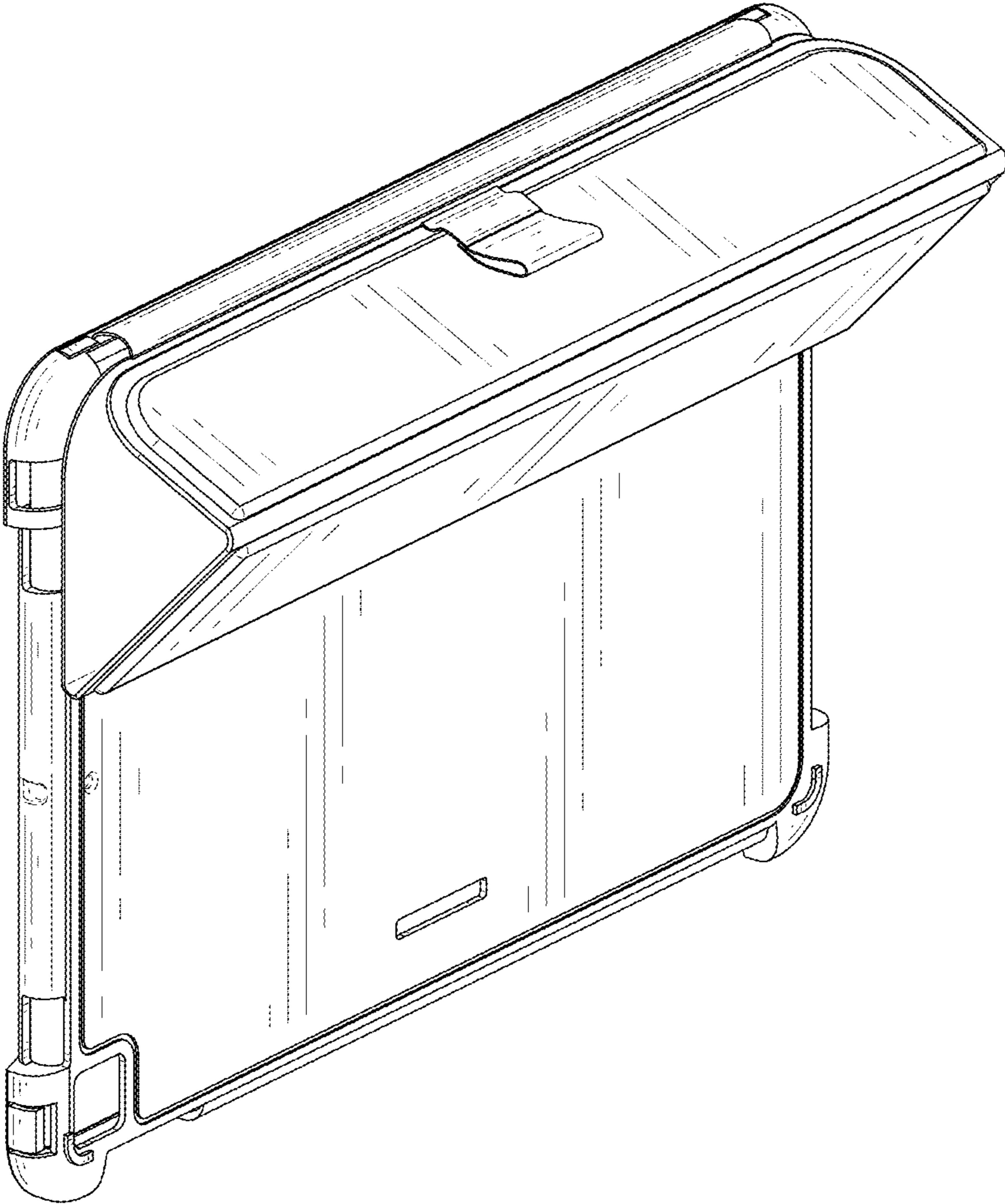


FIG. 9

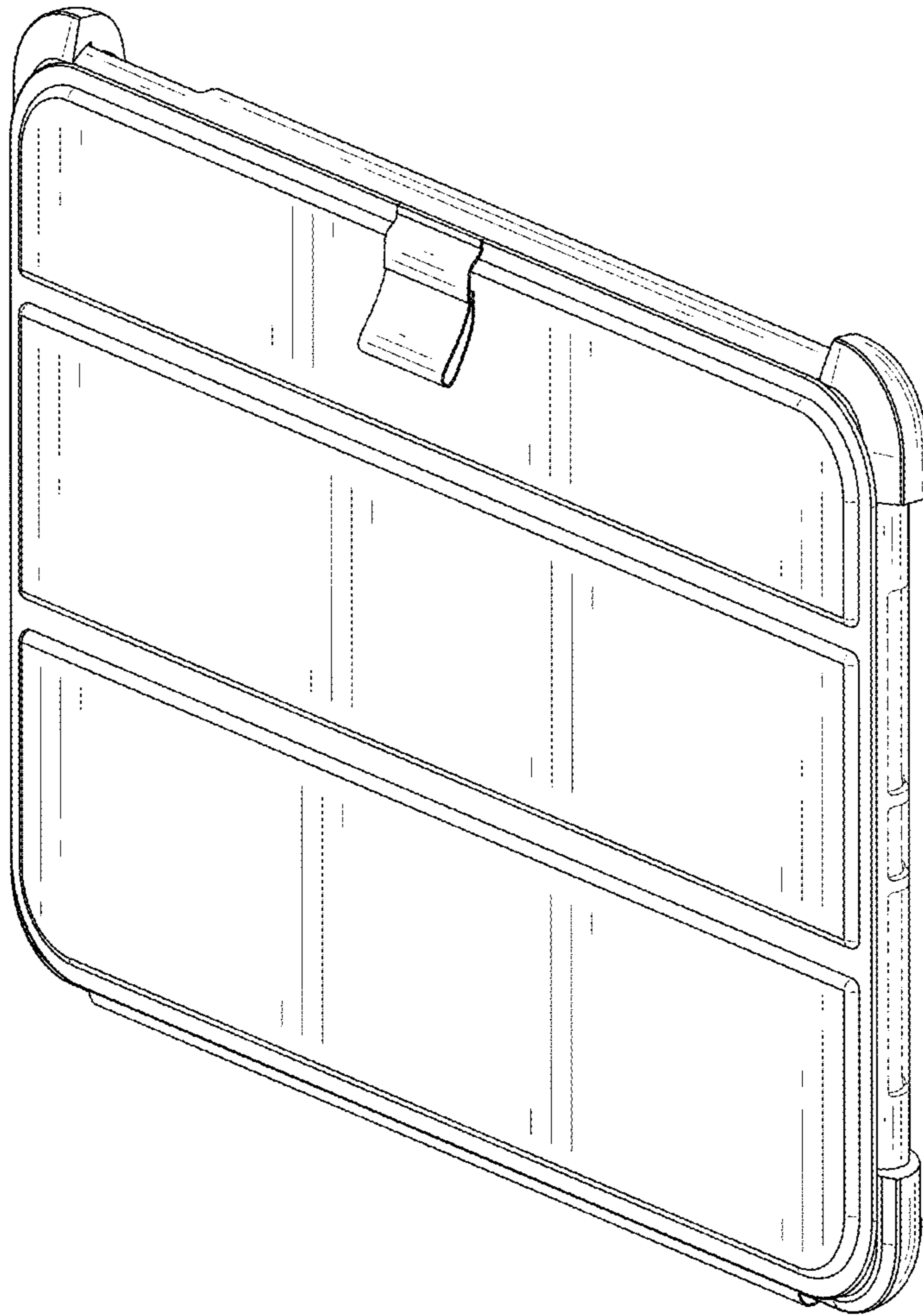


FIG. 10

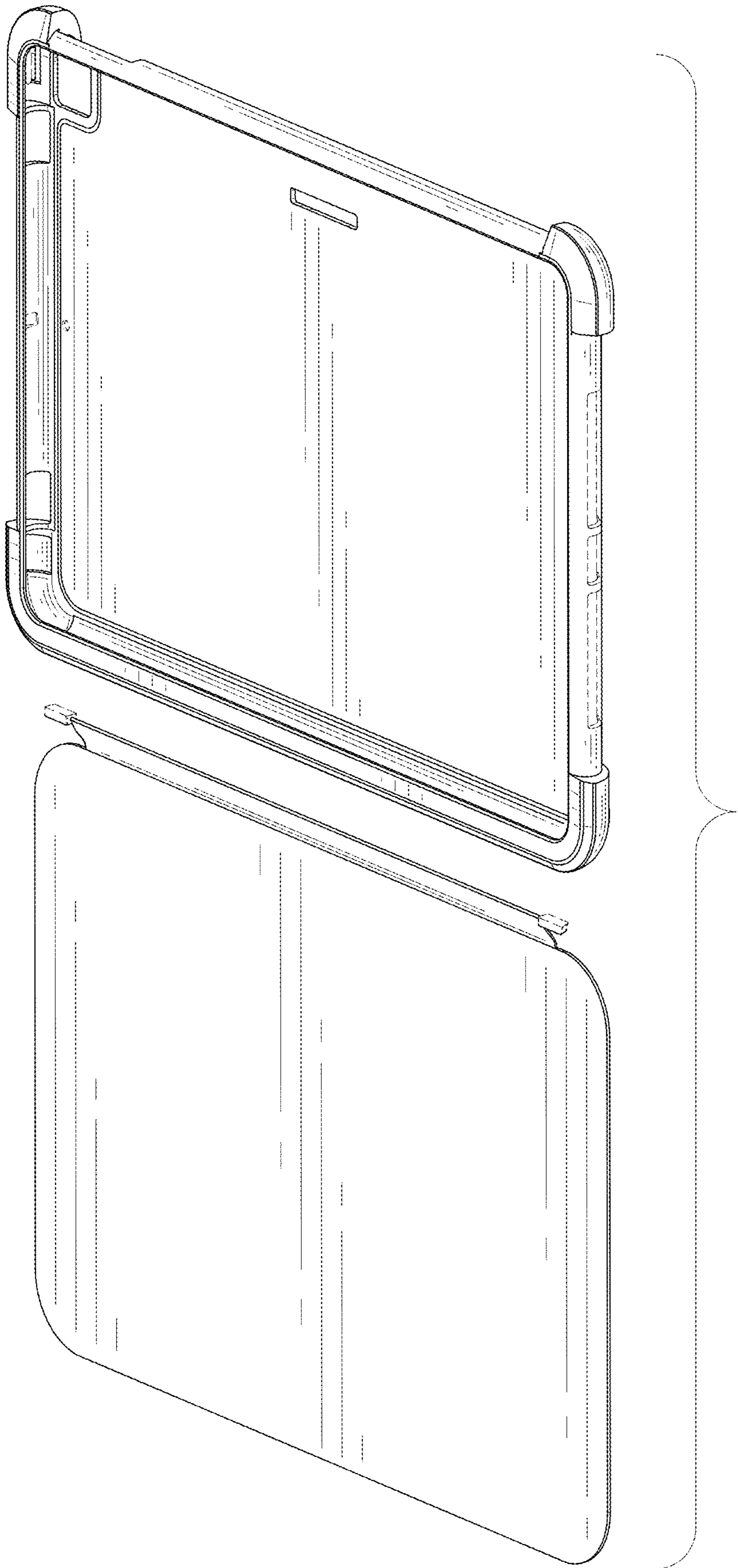


FIG. 11