



US00D932490S

(12) **United States Design Patent** (10) **Patent No.:** **US D932,490 S**
Martin et al. (45) **Date of Patent:** **** Oct. 5, 2021**

- (54) **CARD READER DEVICE**
- (71) Applicant: **Square, Inc.**, San Francisco, CA (US)
- (72) Inventors: **Jeremy Martin**, San Francisco, CA (US); **Mani Razaghi**, San Francisco, CA (US); **Joseph Laucks**, San Francisco, CA (US)
- (73) Assignee: **Square, Inc.**, San Francisco, CA (US)
- (**) Term: **15 Years**
- (21) Appl. No.: **29/762,013**
- (22) Filed: **Dec. 14, 2020**

- D590,828 S 4/2009 Sherrod et al.
- D607,000 S 12/2009 Cheng et al.
- D653,664 S 2/2012 Turnbull et al.
- D675,618 S 2/2013 Behar et al.
- D680,537 S 4/2013 Miller et al.
- D686,208 S 7/2013 Miller et al.
- D700,606 S 3/2014 Lo
- D706,266 S 6/2014 Rotsaert
- D711,876 S 8/2014 Mcwilliam et al.

(Continued)

FOREIGN PATENT DOCUMENTS

- CA 159076 S 2/2017
- JP 1512795 S 12/2014

(Continued)

OTHER PUBLICATIONS

Restriction requirement dated Apr. 3, 2020 for Design U.S. Appl. No. 29/657,827, of Martin J. et al., filed Jul. 25, 2018.

(Continued)

Primary Examiner — Austin Murphy
(74) *Attorney, Agent, or Firm* — Lee & Hayes, P.C.

Related U.S. Application Data

- (62) Division of application No. 29/657,827, filed on Jul. 25, 2018, now Pat. No. Des. 905,059.
- (51) **LOC (13) Cl.** **14-02**
- (52) **U.S. Cl.**
USPC **D14/385**
- (58) **Field of Classification Search**
USPC D18/4.4, 4.5, 4.6, 12, 12.1, 12.3;
D14/383, 384, 385, 386, 378, 420, 427,
D14/432-439, 447, 453; D13/107, 108,
D13/133, 146, 147, 152, 154, 156;
235/441, 451, 492, 380, 439, 375
CPC G06K 19/07749; G06K 19/0723; G06K
19/041; G06K 19/07758; G06K 19/0775;
G06K 19/07783; G06K 19/07794; G06K
19/06046; G06K 19/07722; G06K
19/07773; G06K 19/07779; G06K
19/07784; G06K 19/07786; G06K
19/0709
See application file for complete search history.

(57) **CLAIM**

The ornamental design for a card reader device, as shown and described.

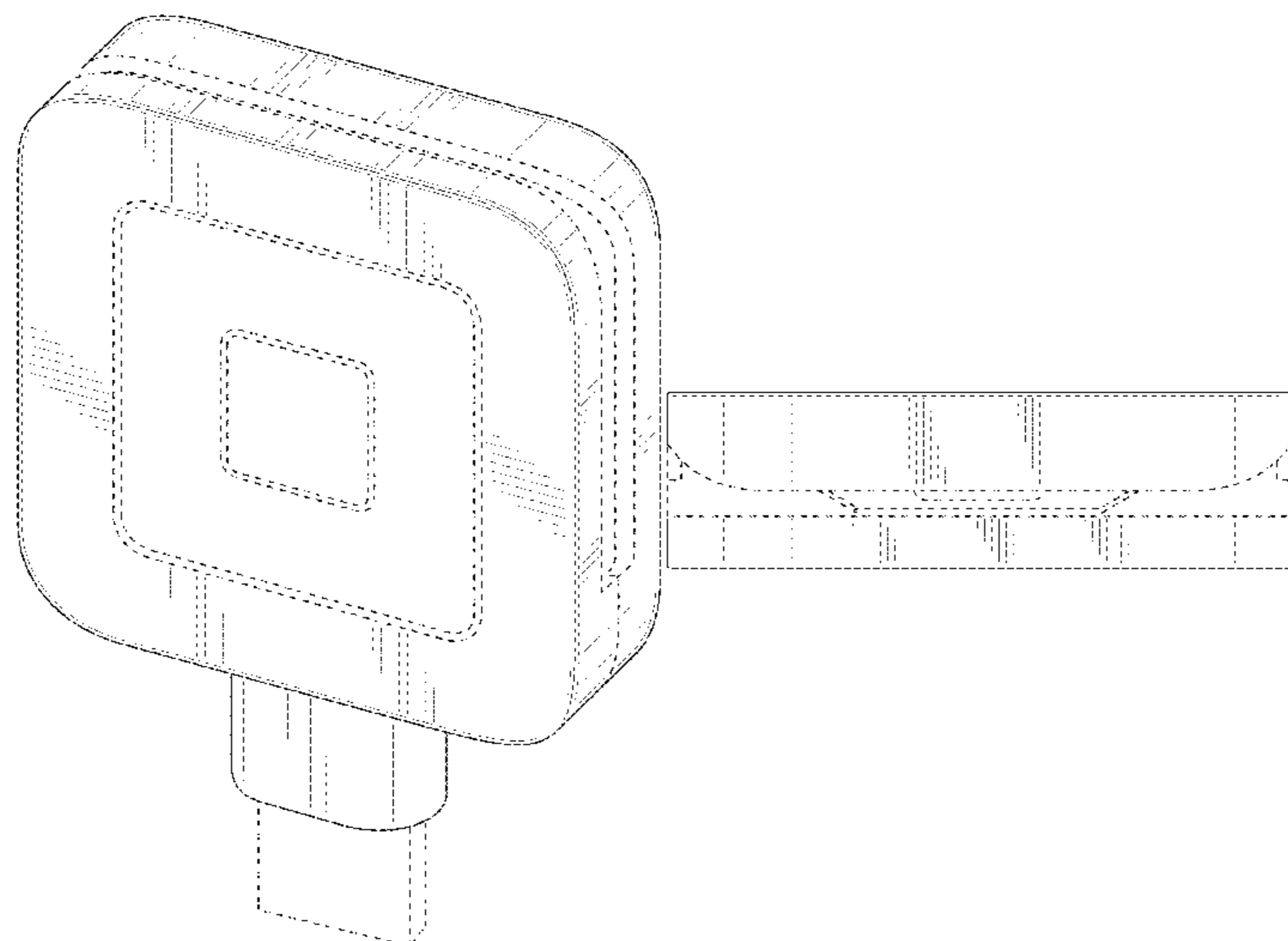
DESCRIPTION

FIG. 1 is a front perspective view of a card reader device; FIG. 2 is a front view thereof; FIG. 3 is a back view thereof; FIG. 4 is a left-side view thereof; FIG. 5 is a right-side view thereof; FIG. 6 is a top view thereof; and, FIG. 7 is a bottom view thereof. The dashed broken lines depict portions of the card reader device that form no part of the claimed design.

(56) **References Cited**
U.S. PATENT DOCUMENTS

- D417,442 S 12/1999 Butts et al.
- D477,321 S 7/2003 Baughman

1 Claim, 7 Drawing Sheets



(56)

References Cited

U.S. PATENT DOCUMENTS

D725,655 S 3/2015 Debaigue et al.
 D728,568 S 5/2015 Debaigue et al.
 D740,285 S 10/2015 Templeton
 D740,286 S 10/2015 Templeton
 D740,819 S 10/2015 Weber et al.
 D740,820 S 10/2015 Templeton et al.
 D762,651 S 8/2016 Edwards et al.
 D766,901 S * 9/2016 Nguyen D14/385
 D774,510 S 12/2016 Rotsaert
 9,576,159 B1 * 2/2017 Templeton G06Q 20/353
 D795,869 S * 8/2017 Templeton D14/385
 D797,739 S * 9/2017 Templeton D14/385
 D797,740 S * 9/2017 Nguyen D14/385
 D822,023 S 7/2018 Huff
 D829,274 S * 9/2018 Huang D18/4.6
 D844,006 S * 3/2019 Molnar D14/434
 D861,684 S 10/2019 Chen et al.
 D878,367 S * 3/2020 Rotsaert D14/385
 D894,898 S * 9/2020 Nakhare D14/385
 D905,059 S * 12/2020 Martin D14/385
 D909,386 S * 2/2021 Turksu D14/433
 D911,346 S * 2/2021 Turksu D14/433
 D913,365 S * 3/2021 Chuang D18/4.6
 D918,909 S * 5/2021 Rotsaert D14/385
 2012/0095870 A1 * 4/2012 McKelvey G06Q 20/347
 705/26.41
 2012/0126011 A1 * 5/2012 Lamba G06K 7/084
 235/449

2013/0087614 A1* 4/2013 Limtao G06K 7/083
 235/449
 2014/0001263 A1* 1/2014 Babu G06Q 20/3278
 235/440
 2014/0131442 A1* 5/2014 Morrow G06K 7/0021
 235/440

FOREIGN PATENT DOCUMENTS

JP 1549035 S 5/2016
 JP 1554788 S 7/2016

OTHER PUBLICATIONS

Notice of Allowance dated Jun. 9, 2015 for Design U.S. Appl. No. 29/487,975, of Weber T. et al., filed Apr. 14, 2014.
 Examination report for CA Design Application No. 185694 dated Jan. 10, 2020.
 Notification to Grant Patent Right for CN Design Application No. 2019300317655 dated Sep. 3, 2019.
 Certificate of Patent for CN Design Application No. 2019300317655 dated Nov. 29, 2019.
 Examination Report for CA Design Application No. 194449 dated Nov. 30, 2020.
 Examination Report for CA Design Application No. 185694 dated Nov. 30, 2020.

* cited by examiner

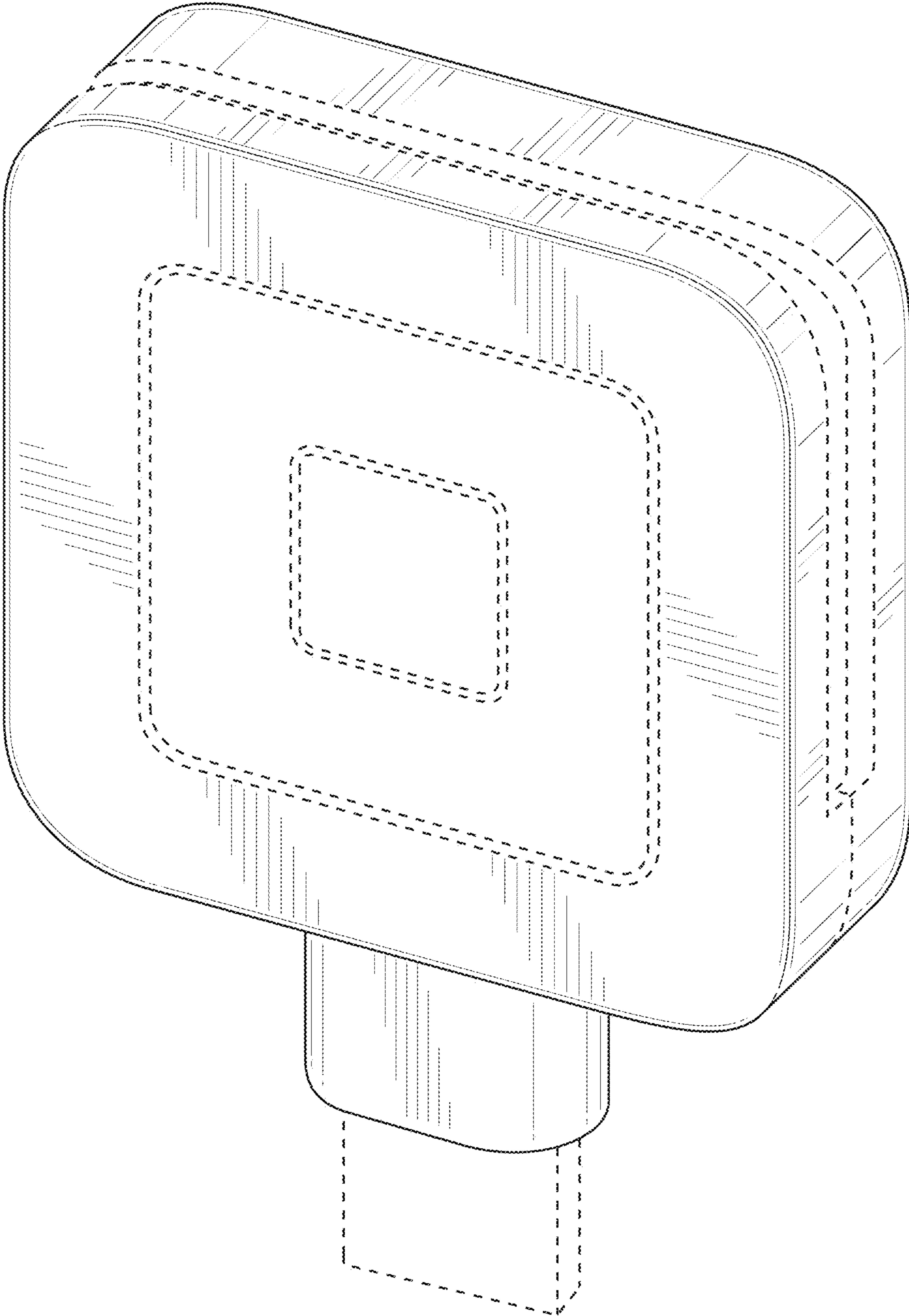


FIG. 1

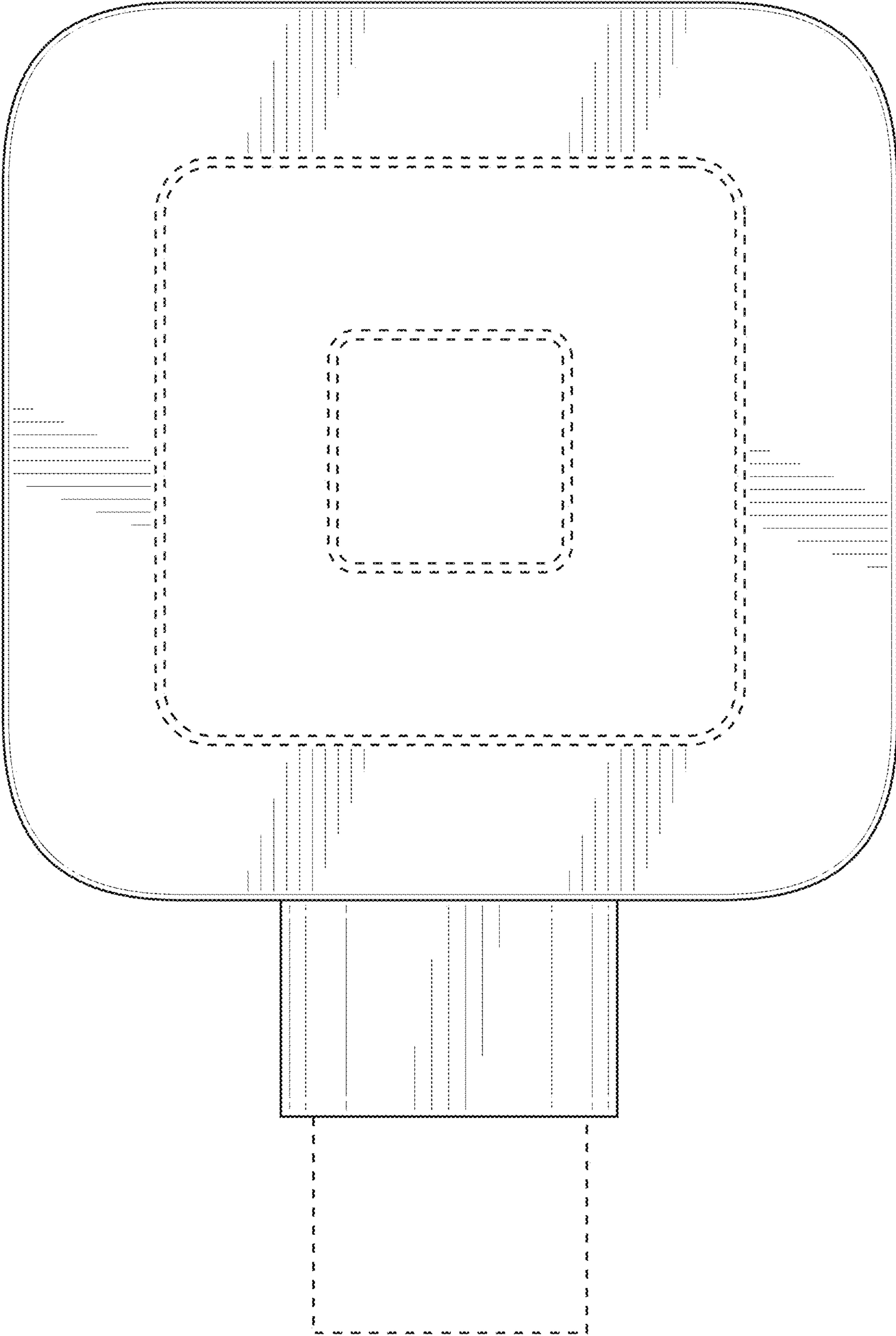


FIG. 2

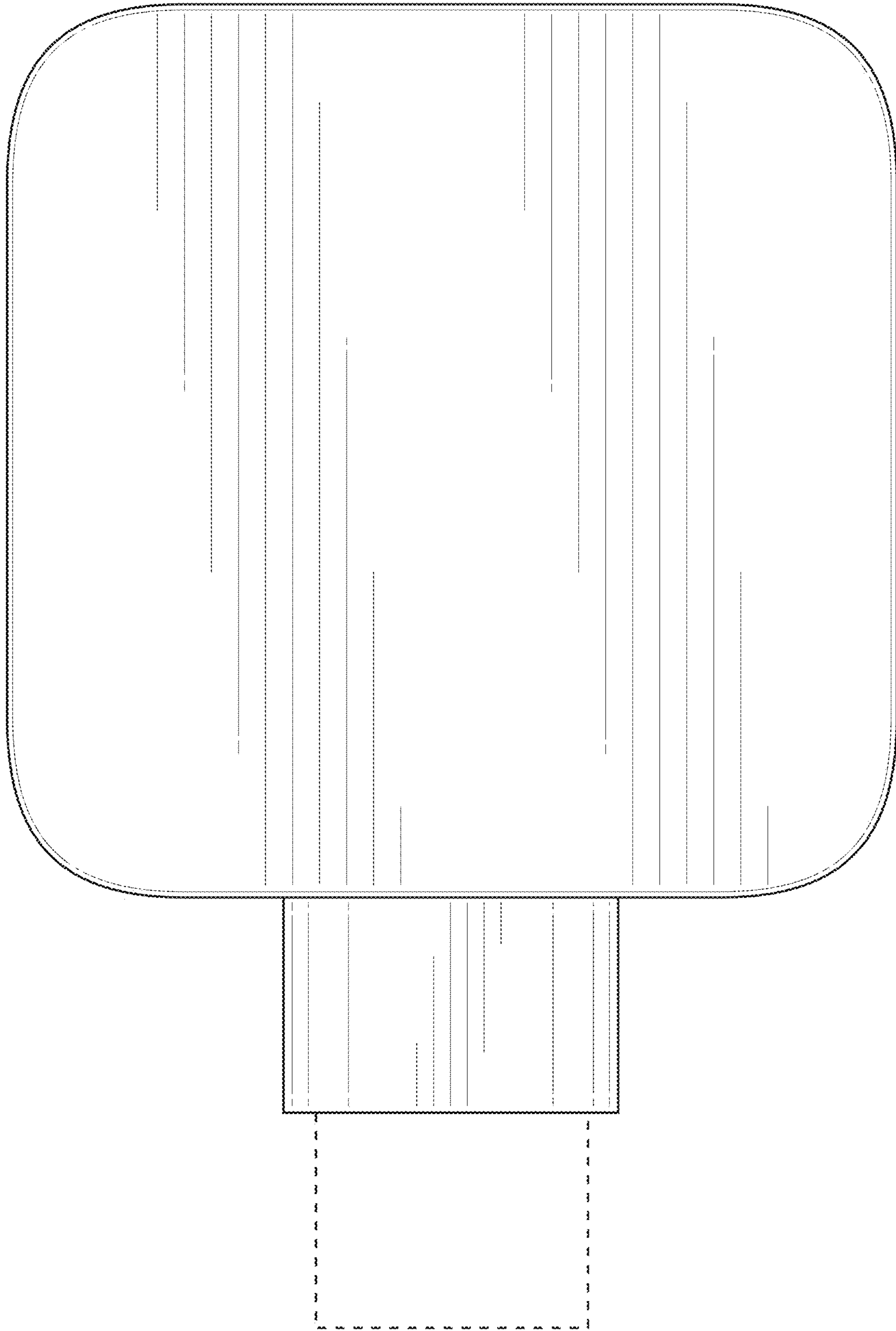


FIG. 3

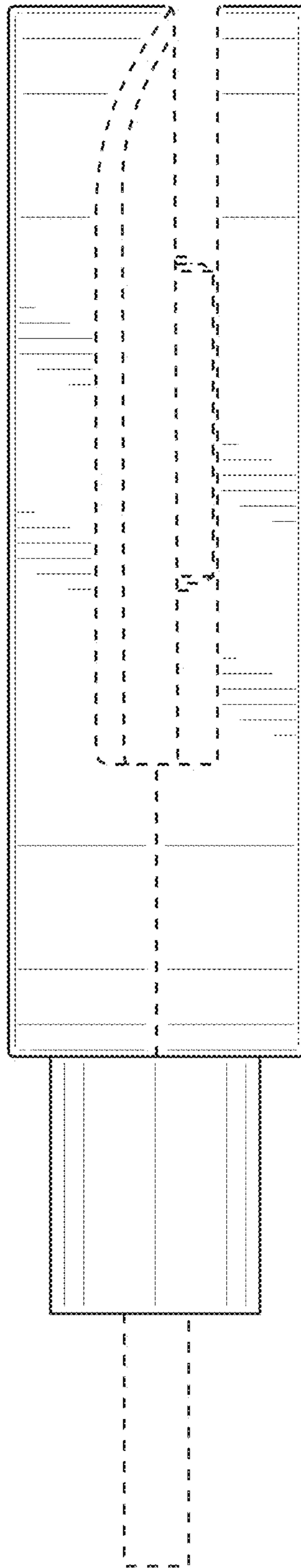


FIG. 4

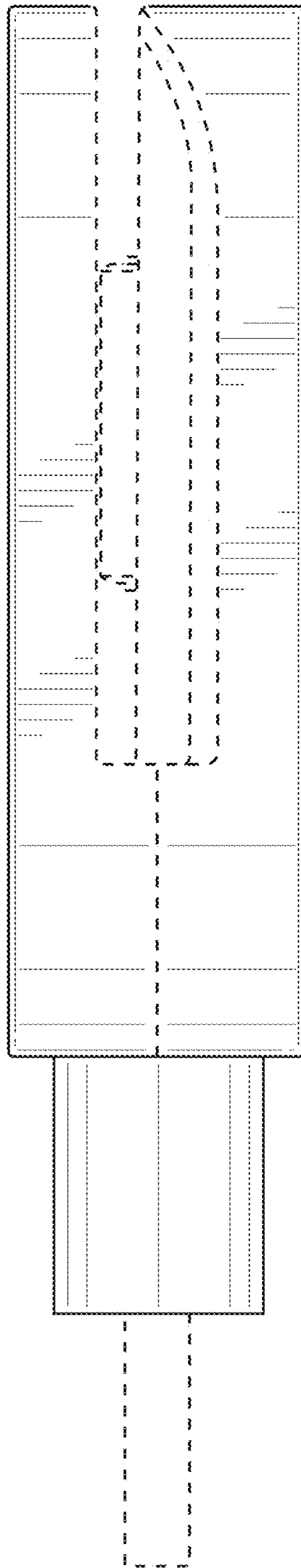


FIG. 5

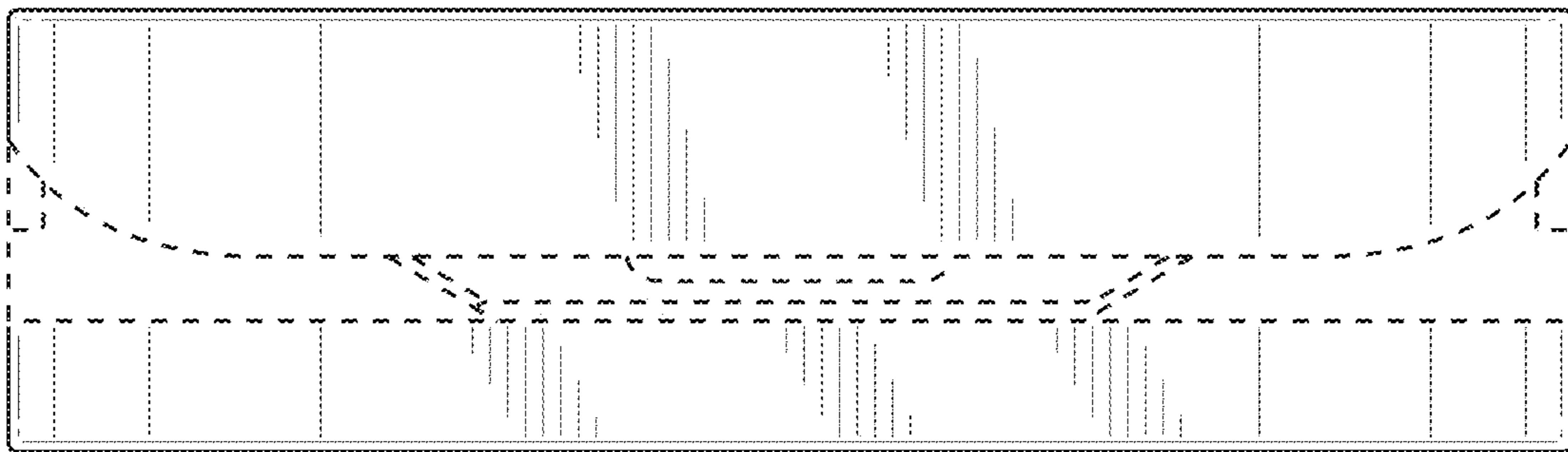


FIG. 6

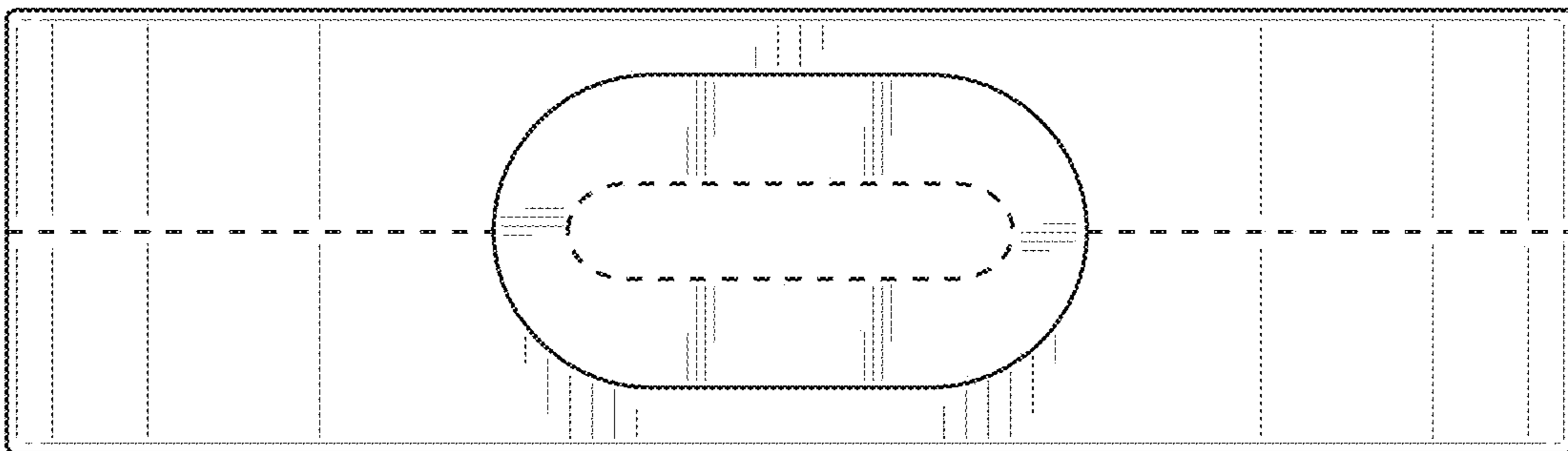


FIG. 7