



US00D932489S

(12) **United States Design Patent**  
**Dunlap et al.**

(10) **Patent No.:** **US D932,489 S**

(45) **Date of Patent:** **\*\* Oct. 5, 2021**

(54) **EDGE DEVICE**

(71) Applicant: **Stone Lock Global, Inc.**, Olathe, KS  
(US)

(72) Inventors: **David Douglas Dunlap**, Leawood, KS  
(US); **John Joseph Fortino**, Olathe, KS  
(US)

(73) Assignee: **Stone Lock Global, Inc.**, Olathe, KS  
(US)

(\*\*) Term: **15 Years**

(21) Appl. No.: **29/698,371**

(22) Filed: **Jul. 16, 2019**

(51) **LOC (13) Cl.** ..... **14-02**

(52) **U.S. Cl.**  
USPC ..... **D14/384**

(58) **Field of Classification Search**  
USPC .... D14/240, 242, 357, 358, 140-140.9, 155,  
D14/125, 137, 139, 243, 348, 349, 351,  
D14/354, 355, 433, 383, 384, 385, 341,  
D14/356, 135, 167, 203.1-203.3, 203.7,  
D14/496; D18/4.4

CPC ..... H04L 12/00; H03K 17/00; H04W 88/00;  
H04W 88/005; H04W 88/02; H04W  
88/08; H04W 88/085; H04W 88/10;  
H04W 88/12; H04W 88/14; H04B 1/38;  
G06K 9/00288; G06K 9/00; G06K  
9/4642; G06K 9/00281; G06K 9/00617;  
G06K 9/6256; G06K 9/00006; G06K  
7/0013; G06K 9/00026; G06F 21/00;  
G06Q 30/00

See application file for complete search history.

(56) **References Cited**

**U.S. PATENT DOCUMENTS**

D477,321 S \* 7/2003 Baughman ..... D14/385  
D480,725 S \* 10/2003 Funato ..... D14/383  
D497,318 S \* 10/2004 Strand ..... D10/104.1

D535,994 S \* 1/2007 Leibenguth ..... D14/385  
D542,291 S \* 5/2007 Kang ..... D14/384  
D584,695 S \* 1/2009 Hilsbos ..... D13/168  
D601,551 S \* 10/2009 Ray ..... D14/240  
D608,781 S \* 1/2010 Wada ..... D14/371  
D626,550 S \* 11/2010 Julien ..... D14/341  
D636,986 S \* 5/2011 Idsoe ..... D3/208  
D638,012 S \* 5/2011 Tian ..... D14/341  
D679,674 S \* 4/2013 Duc ..... D14/138 G  
D717,793 S \* 11/2014 Barton ..... D14/341  
D741,285 S \* 10/2015 Boynton ..... D14/188  
D741,862 S \* 10/2015 Beroukhim ..... D14/384

(Continued)

**FOREIGN PATENT DOCUMENTS**

JP D1625616 \* 2/2019

**OTHER PUBLICATIONS**

International Search Report and Written Opinion issued in International Patent Application No. PCT/US2020/067338 dated Mar. 25, 2021.

*Primary Examiner* — Bridget L Eland

(74) *Attorney, Agent, or Firm* — Arent Fox LLP

(57) **CLAIM**

The ornamental design for an edge device, as shown and described.

**DESCRIPTION**

FIG. 1 is a perspective view of an edge device showing our new design;

FIG. 2 is a front view thereof;

FIG. 3 is a rear view thereof;

FIG. 4 is a top view thereof;

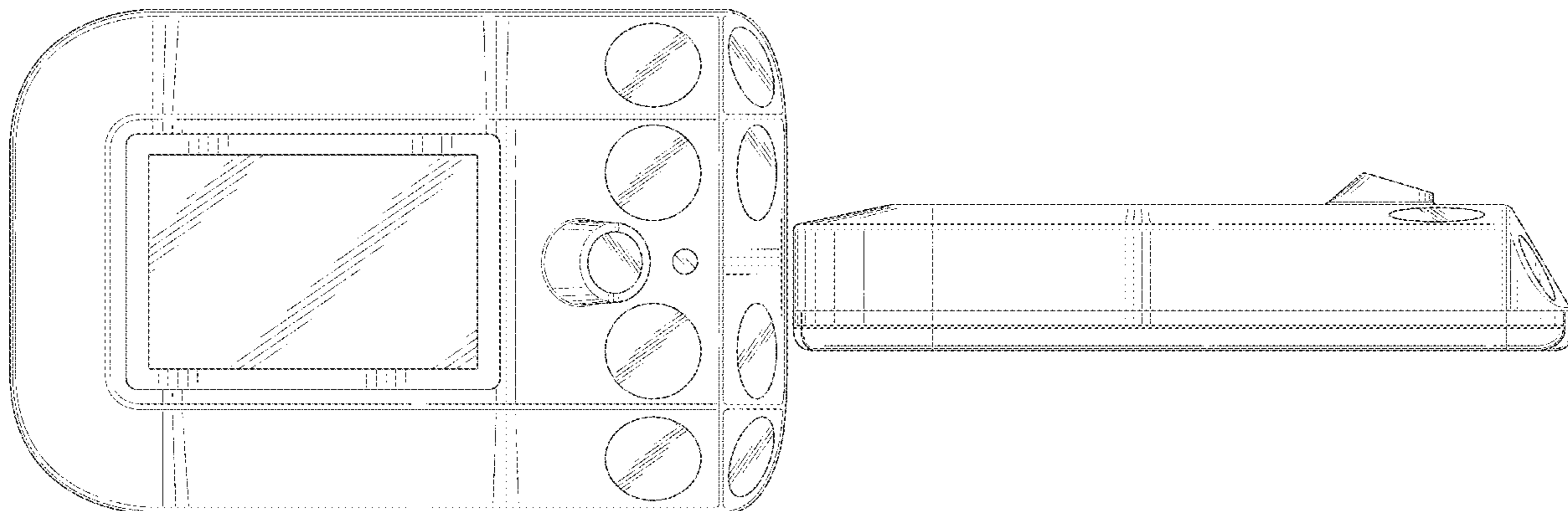
FIG. 5 is a bottom view thereof;

FIG. 6 is a right side view thereof; and,

FIG. 7 is a left side view thereof.

The broken lines in the figures are included for the purpose of illustrating portions of the edge device that form no part of the claimed design.

**1 Claim, 7 Drawing Sheets**



(56)

**References Cited**

## U.S. PATENT DOCUMENTS

D742,877	S *	11/2015	Tsuchida .....	D14/383
D751,056	S *	3/2016	Huang .....	D14/242
D759,650	S *	6/2016	Avery .....	D14/341
D817,306	S *	5/2018	Jang .....	D14/214
D837,216	S *	1/2019	Bagley .....	D14/433
D838,271	S *	1/2019	Kaneko .....	D14/384
D855,613	S *	8/2019	Kaiya .....	D14/383
D858,498	S *	9/2019	Busi .....	D14/240
D864,200	S *	10/2019	Holman, IV .....	D14/384
D870,084	S *	12/2019	Tabata .....	D14/242
D883,969	S *	5/2020	Nogueira-Nine .....	D14/242
D890,753	S *	7/2020	Iasso .....	D14/384
D894,183	S *	8/2020	Min .....	D14/384
D897,326	S *	9/2020	Araki .....	D14/240
10,853,630	B2 *	12/2020	Trani .....	G06K 9/00288
D915,403	S *	4/2021	Iasso .....	D14/384
2016/0328600	A1	11/2016	Che et al.	
2018/0211092	A9	7/2018	Derakhshani et al.	
2020/0193145	A1 *	6/2020	Trani .....	G06K 9/4642
2020/0257893	A1 *	8/2020	Trani .....	G06K 9/00288

\* cited by examiner

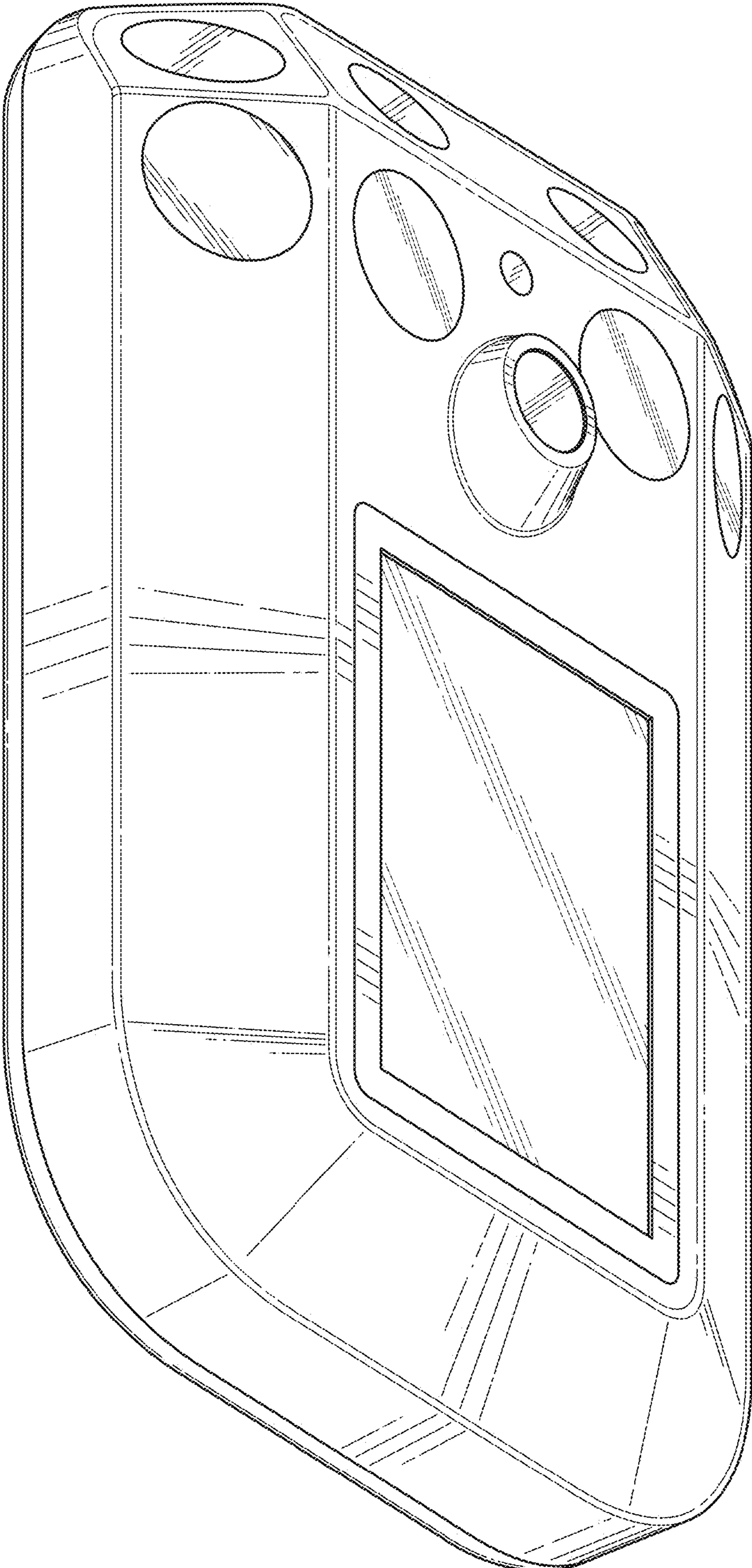


FIG. 1

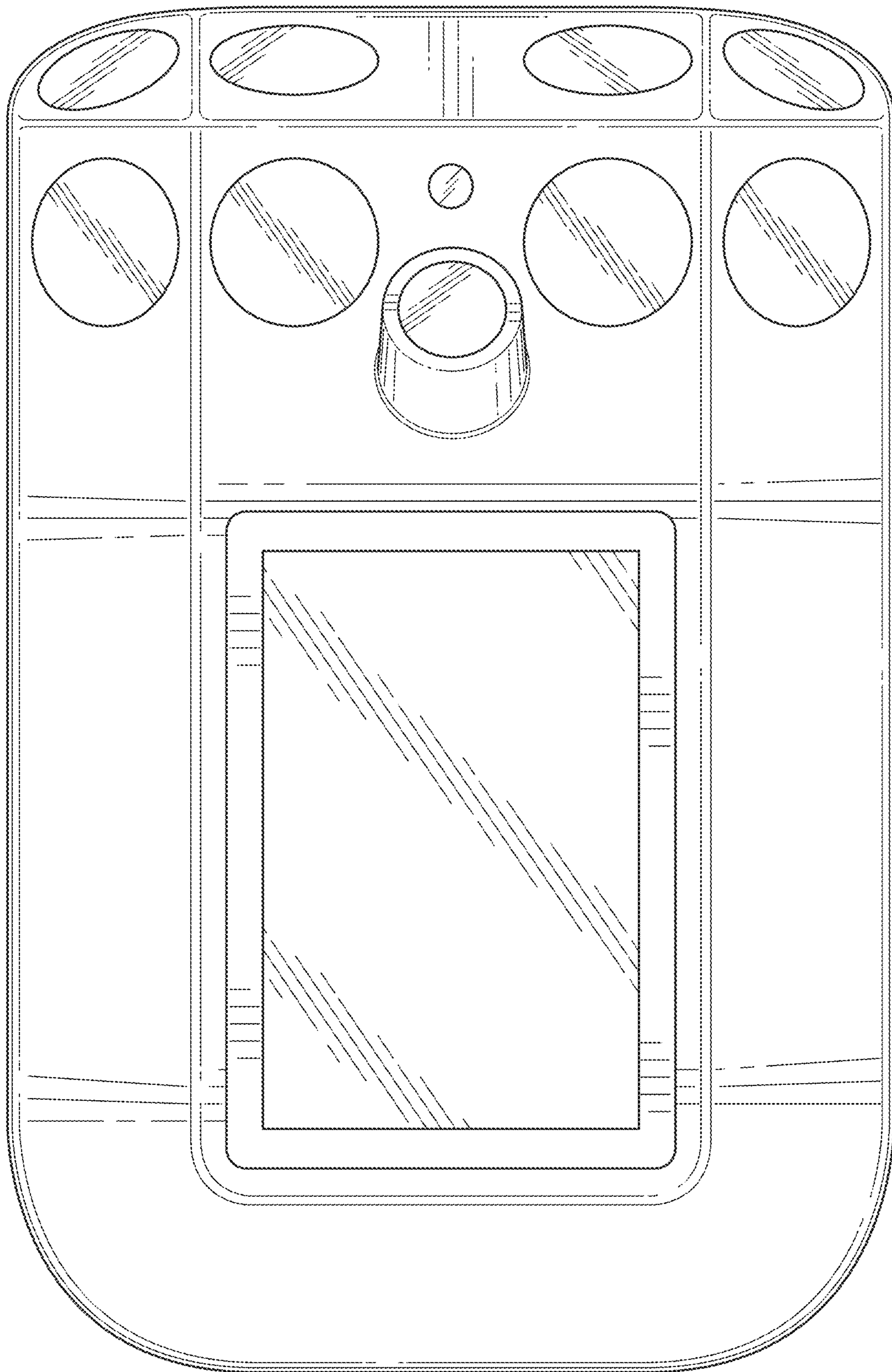


FIG. 2

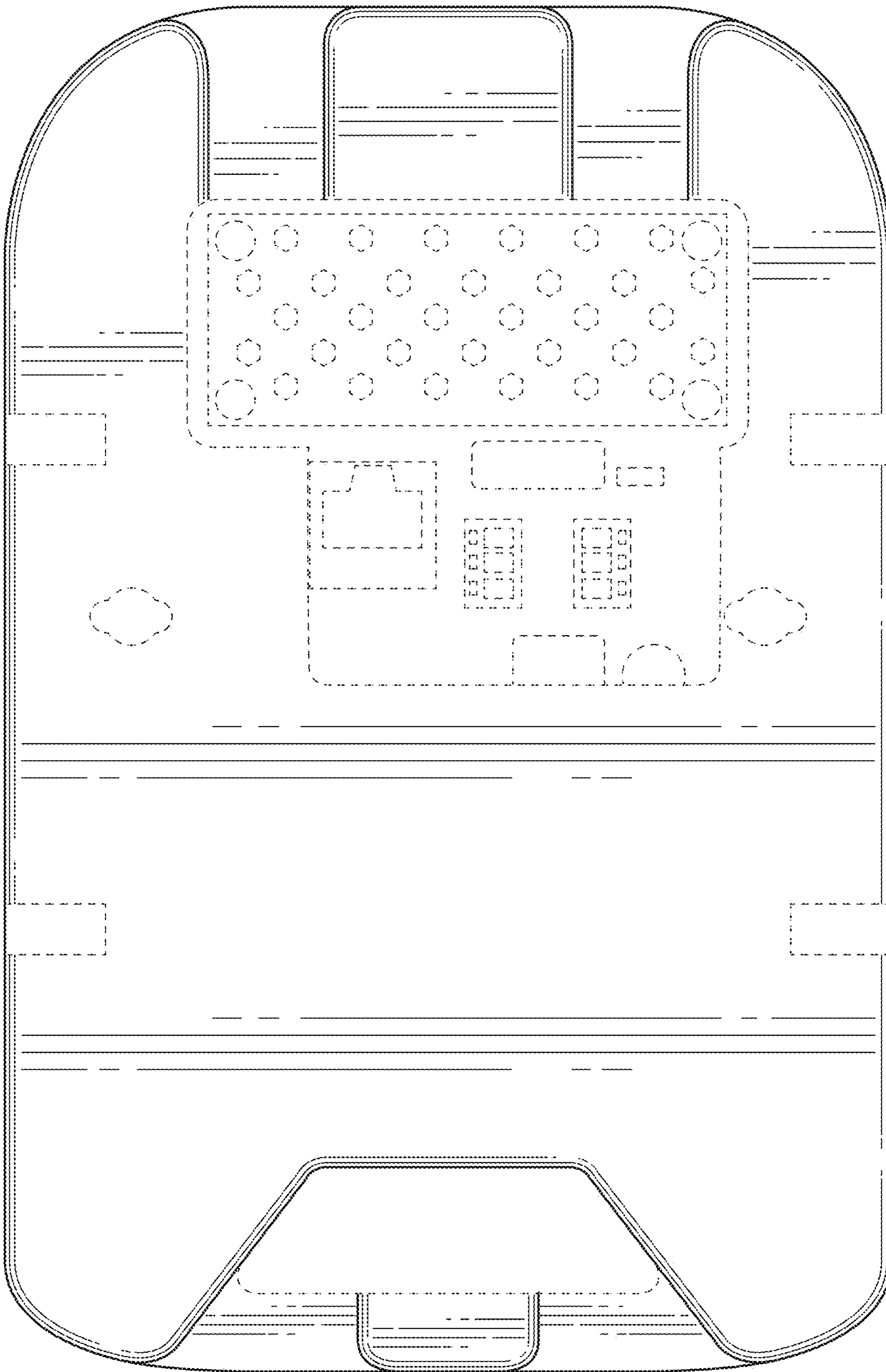


FIG. 3

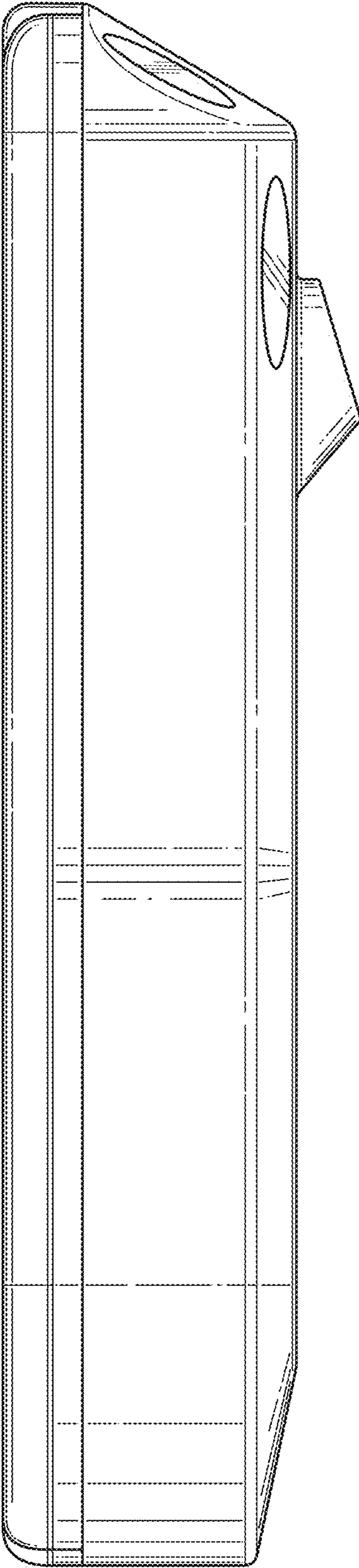


FIG. 4

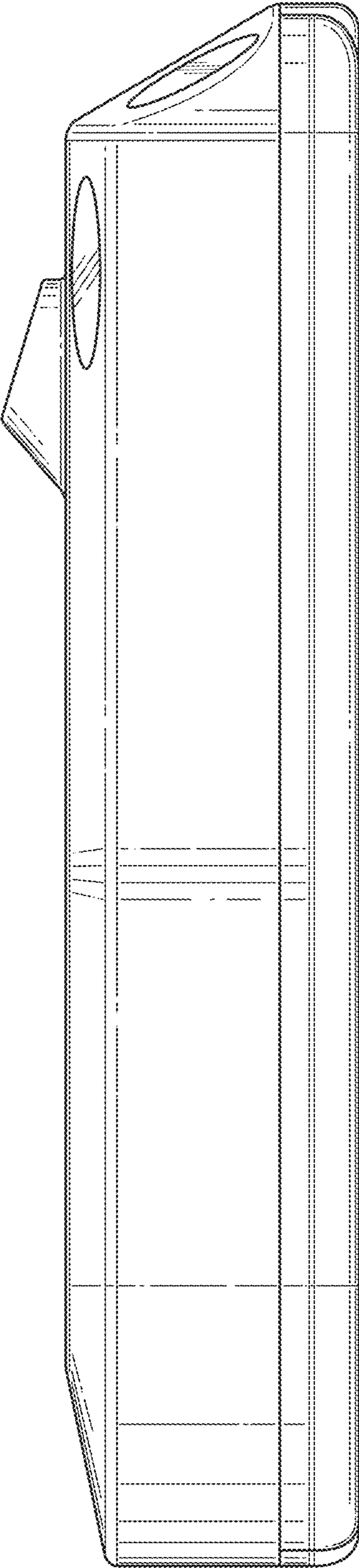


FIG. 5

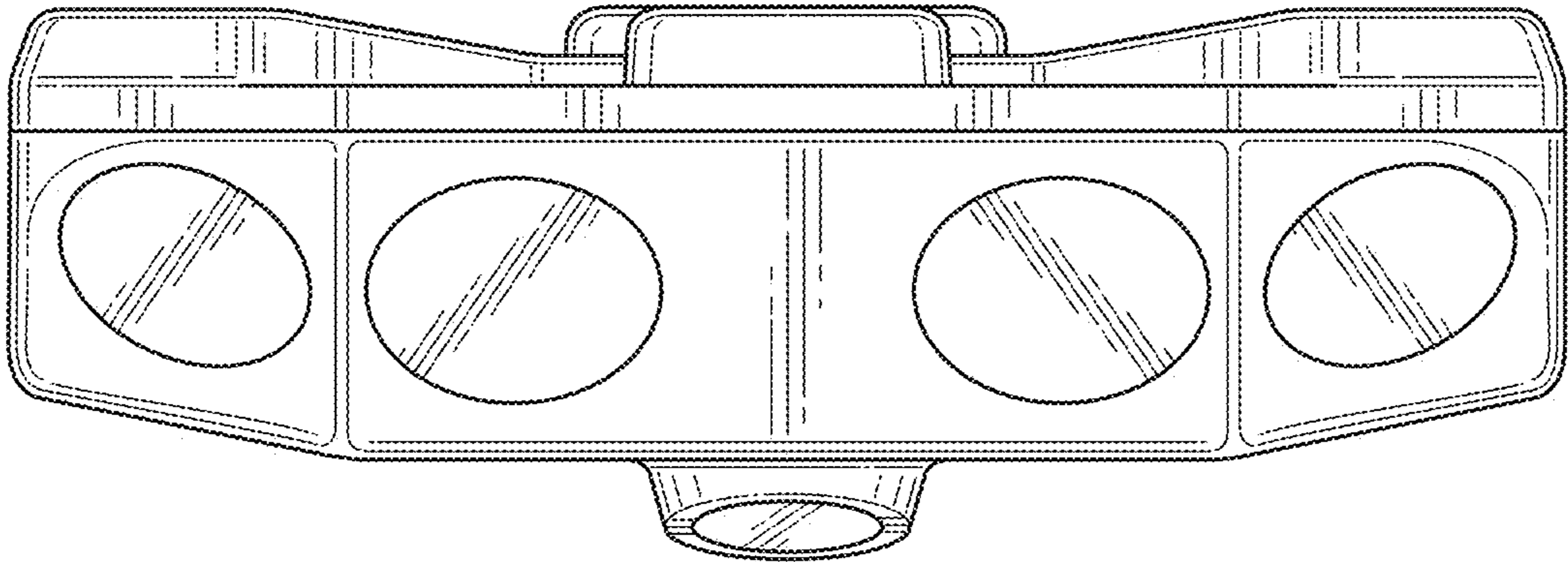


FIG. 6



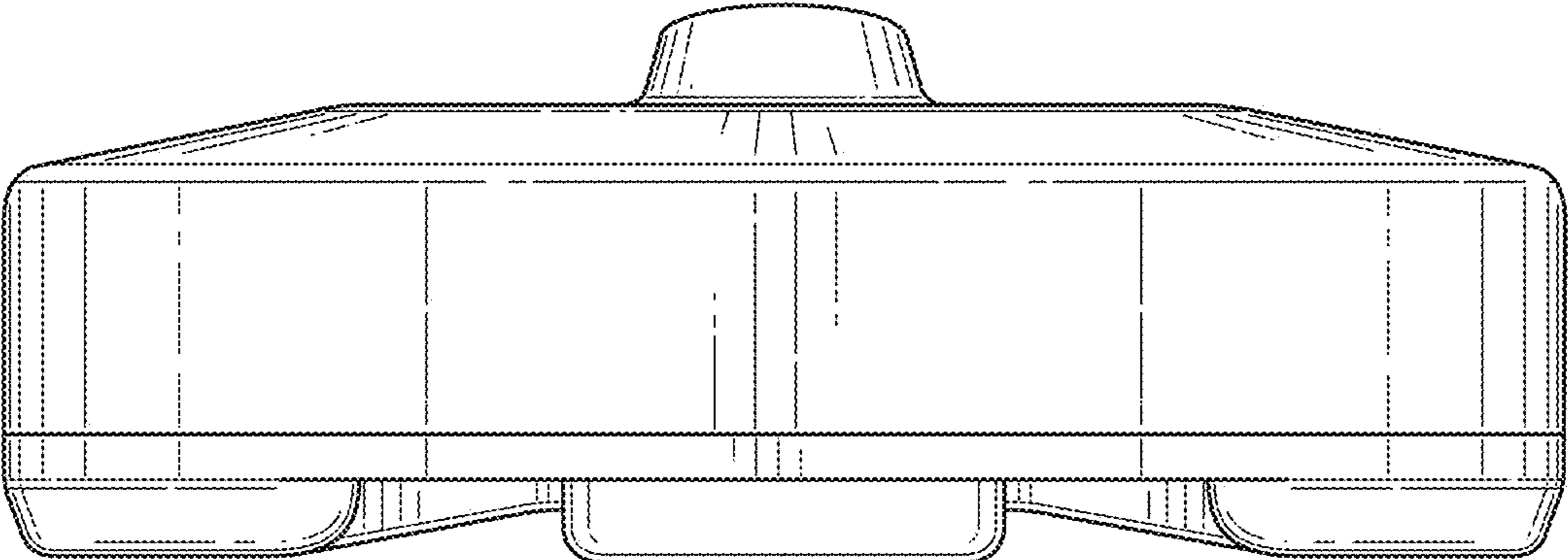


FIG. 7