



US00D932488S

(12) **United States Design Patent** (10) **Patent No.:** **US D932,488 S**
Huang (45) **Date of Patent:** **** Oct. 5, 2021**

(54) **VIRTUAL REALITY HEADSET**
 (71) Applicant: **Rongxiang Huang, Zhejiang (CN)**
 (72) Inventor: **Rongxiang Huang, Zhejiang (CN)**
 (**) Term: **15 Years**
 (21) Appl. No.: **29/752,784**
 (22) Filed: **Sep. 29, 2020**
 (51) **LOC (13) Cl.** **14-02**
 (52) **U.S. Cl.**
 USPC **D14/372**
 (58) **Field of Classification Search**
 USPC D14/372, 496, 432, 371, 125, 126, 129,
 D14/299; D16/300-342; 351/158, 153,
 351/144; 345/7-9, 905; 455/344;
 348/115, 53, 121, 739
 CPC G02B 27/017; G02B 27/0158; G02B
 27/0161; G02B 27/0181; G02B 27/0185;
 G02B 27/0189
 See application file for complete search history.

(56) **References Cited**
 U.S. PATENT DOCUMENTS

D749,583 S	2/2016	Luckey et al.
D760,225 S	6/2016	Passmore et al.
D761,257 S	7/2016	Passmore et al.
D785,619 S	5/2017	Su
D819,637 S	6/2018	Chen et al.

D858,521 S	9/2019	Neil et al.	
D859,406 S	9/2019	Wei et al.	
D883,280 S	5/2020	Shao et al.	
D885,383 S *	5/2020	Chang	D14/372
D896,221 S *	9/2020	Lee	D14/372
D900,099 S *	10/2020	Park	D14/372
D904,402 S *	12/2020	Marquis	D14/372
D916,085 S *	4/2021	Yuan	D14/372
D916,086 S *	4/2021	Zhang	D14/372
D916,702 S *	4/2021	Newsom	D14/372
D917,474 S *	4/2021	Chiang	D14/372
D918,203 S *	5/2021	Chen	D14/372
D918,904 S *	5/2021	Jackson	D14/372
D920,974 S *	6/2021	Chi	D14/372
D924,234 S *	7/2021	Meng	D14/372

* cited by examiner

Primary Examiner — Austin Murphy

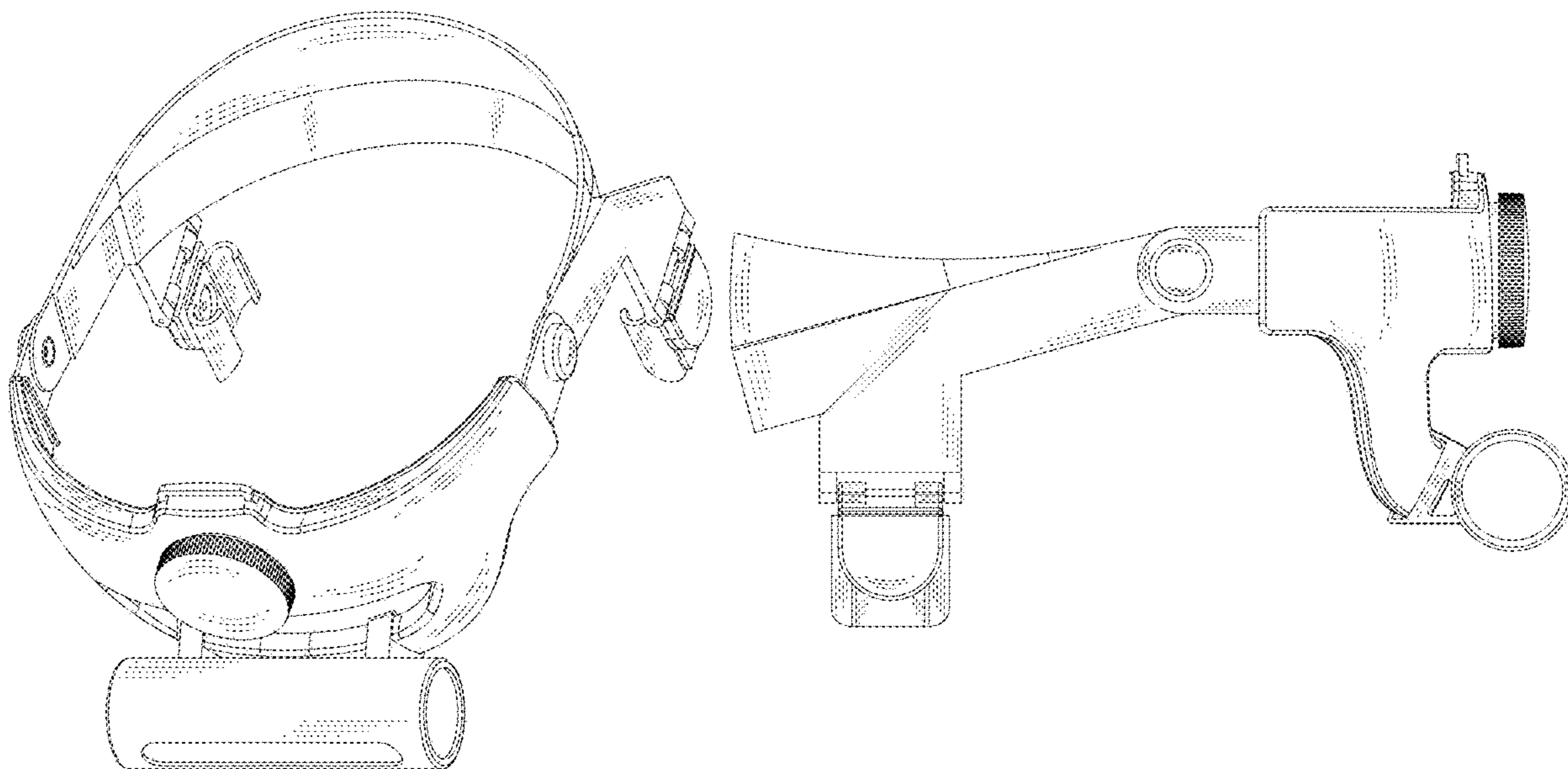
(57) **CLAIM**

The ornamental design for a virtual reality headset, as shown and described.

DESCRIPTION

FIG. 1 is a perspective view of a virtual reality headset showing my new design;
 FIG. 2 is a front elevation view thereof;
 FIG. 3 is a rear elevation view thereof;
 FIG. 4 is a left side elevation view thereof;
 FIG. 5 is a right side elevation view thereof;
 FIG. 6 is a top plan view thereof; and,
 FIG. 7 is a bottom plan view thereof.

1 Claim, 7 Drawing Sheets



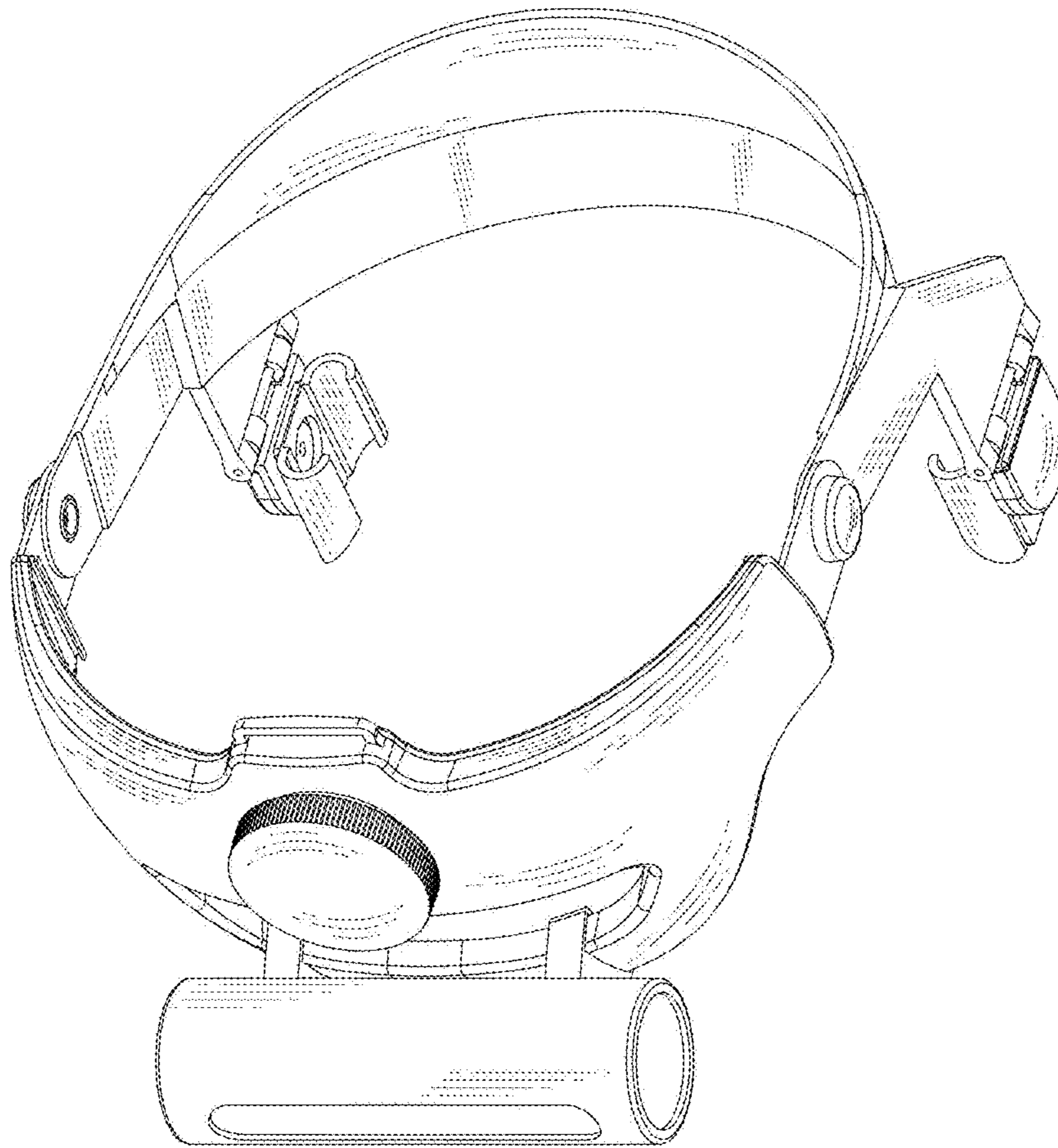


FIG.1

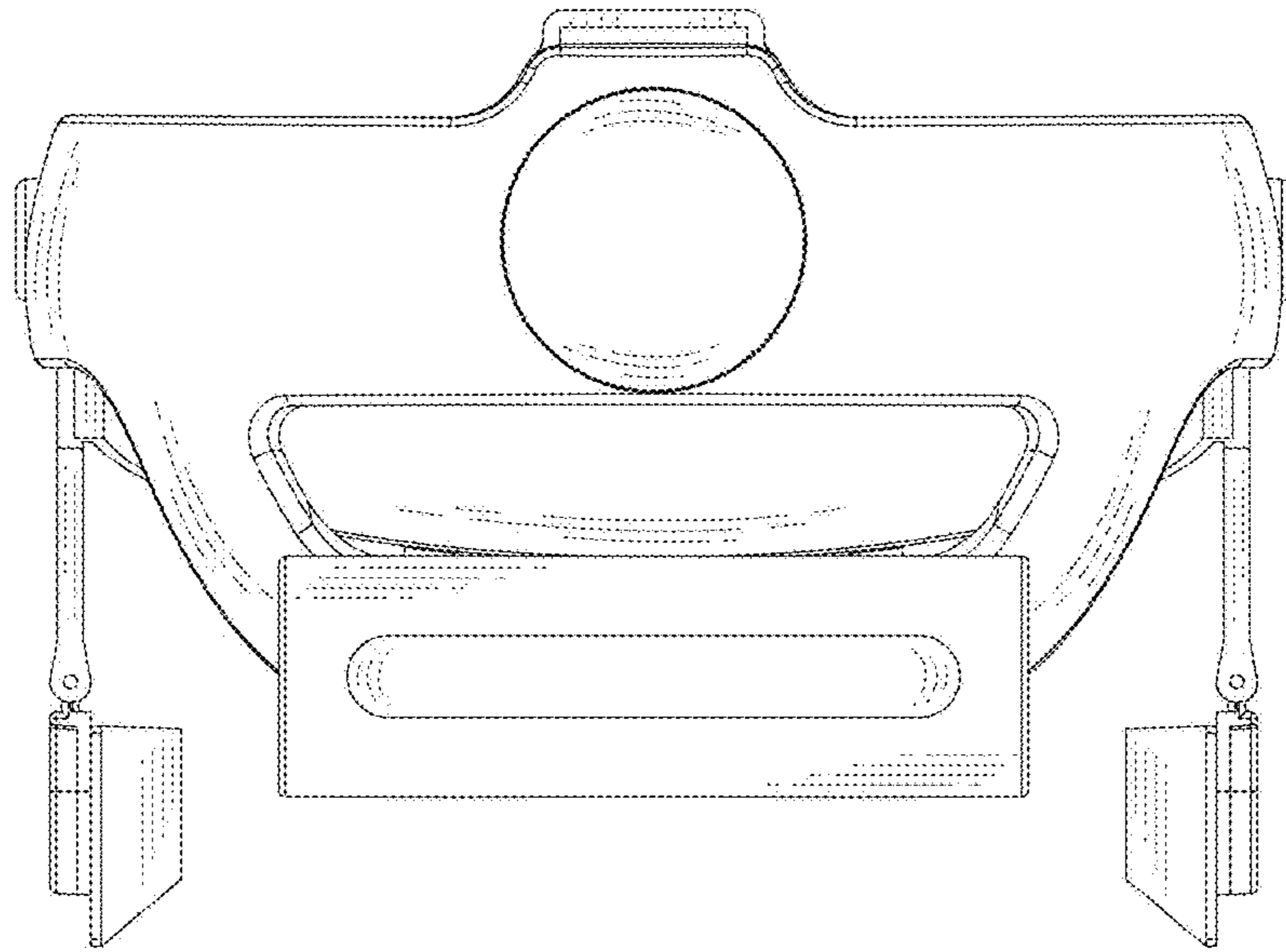


FIG.2

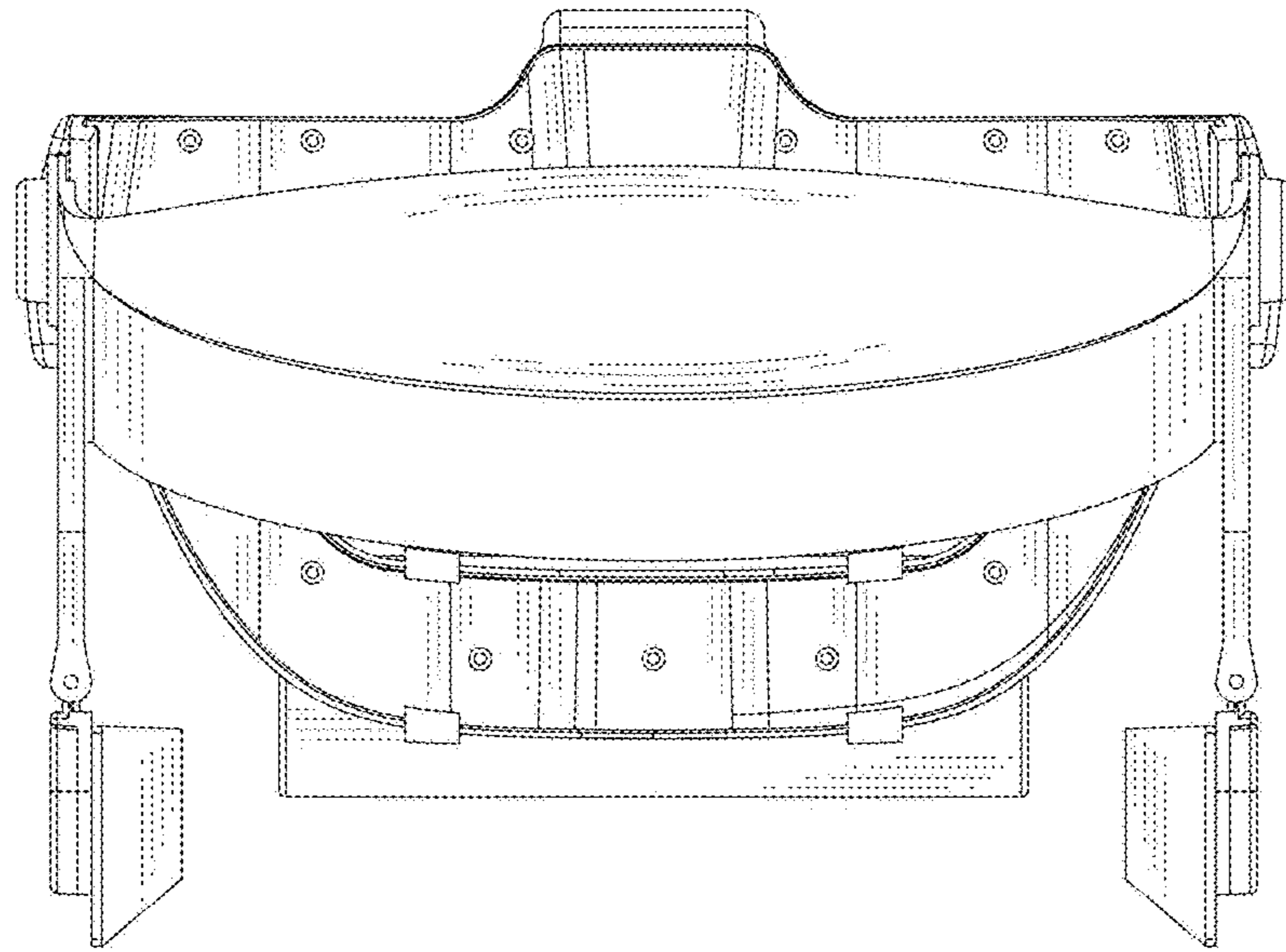


FIG.3

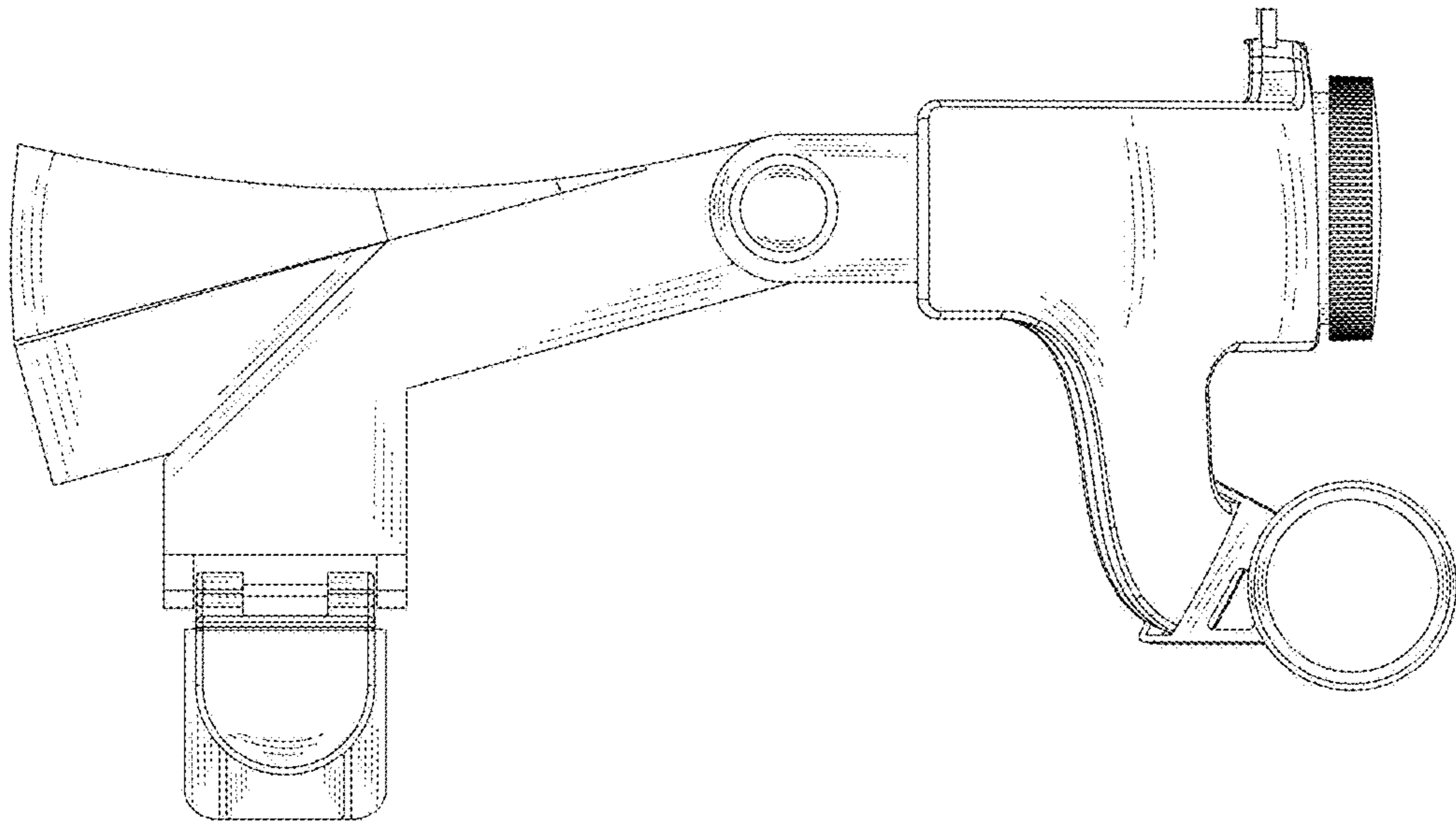


FIG.4

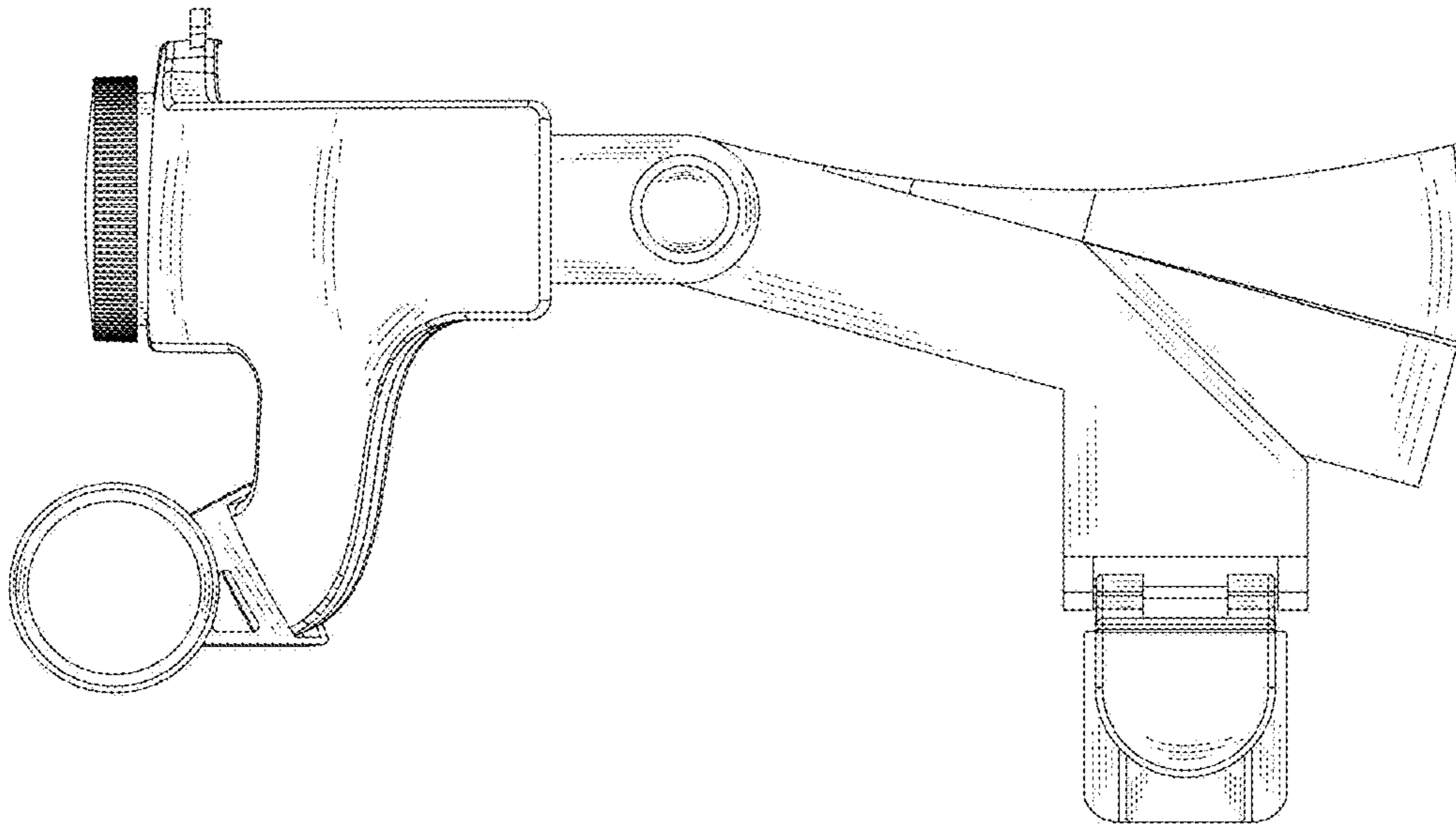


FIG.5

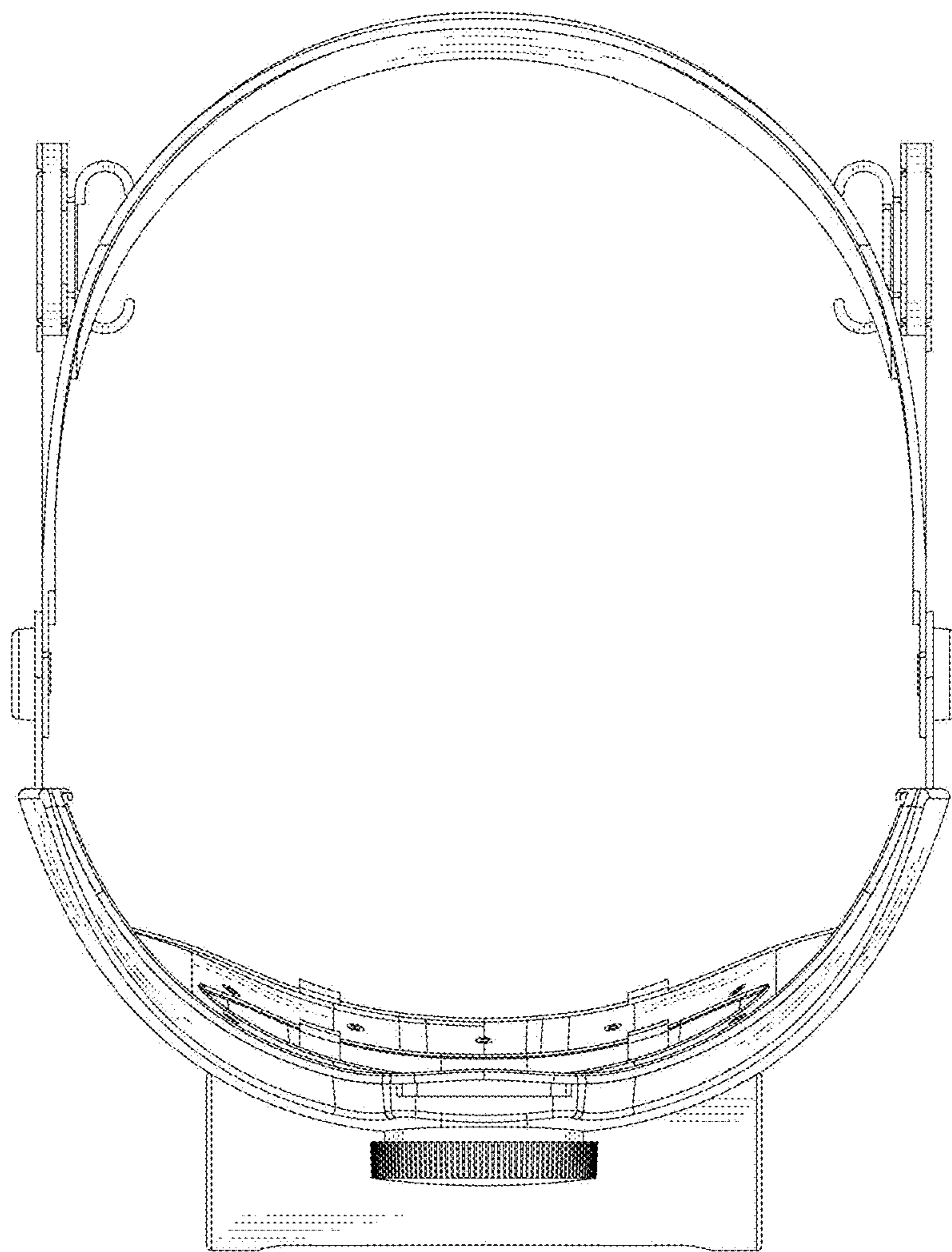


FIG.6

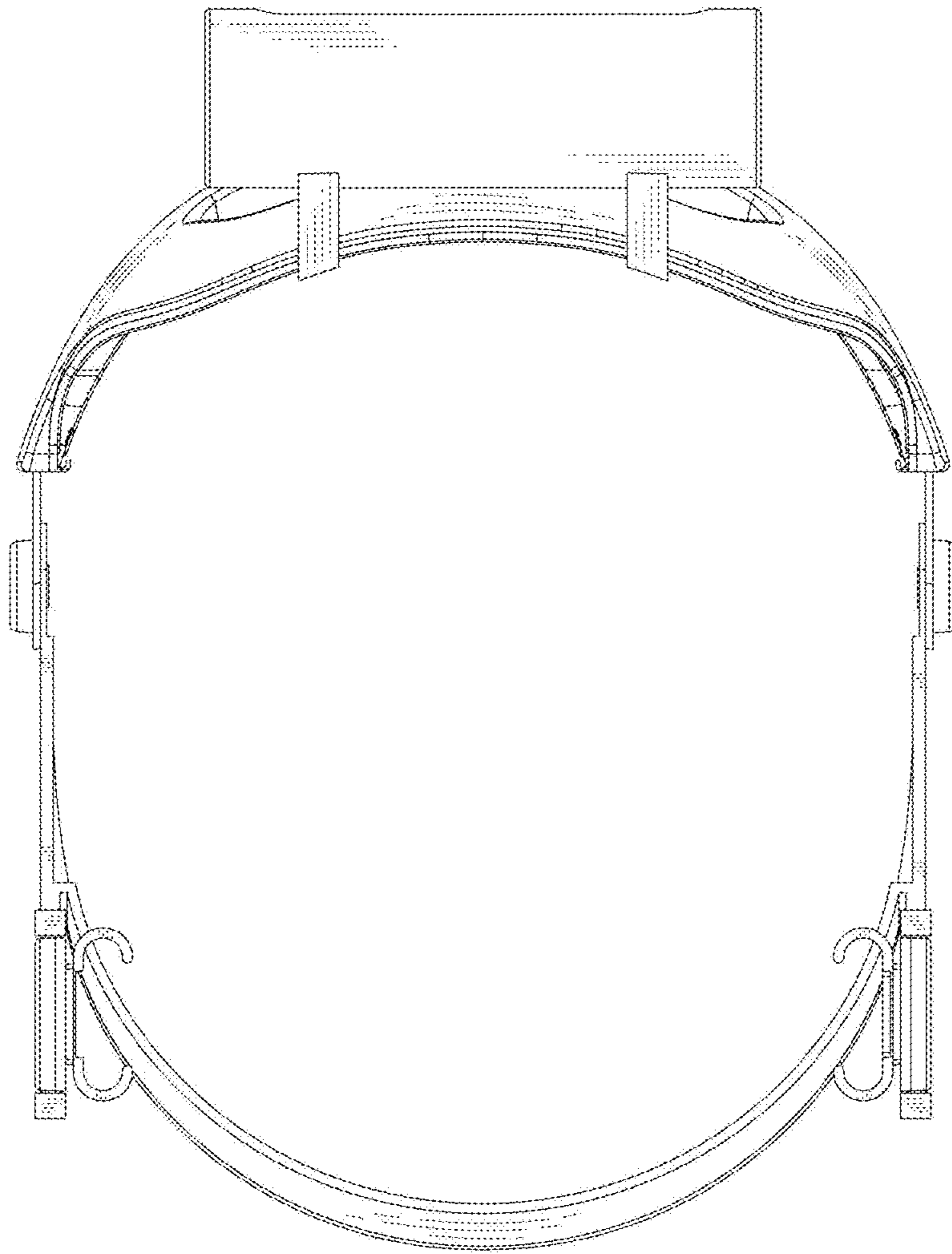


FIG. 7