



US00D932483S

(12) **United States Design Patent**  
**Weldon**

(10) **Patent No.:** **US D932,483 S**

(45) **Date of Patent:** **\*\* Oct. 5, 2021**

- (54) **KIOSK**
- (71) Applicant: **INDUCOMP Corporation**, Pacific, MO (US)
- (72) Inventor: **John T. Weldon**, Pacific, MO (US)
- (73) Assignee: **INDUCOMP Corporation**, Pacific, MO (US)
- (\*\*) Term: **15 Years**
- (21) Appl. No.: **29/679,603**
- (22) Filed: **Feb. 7, 2019**
- (51) **LOC (13) Cl.** ..... **14-02**
- (52) **U.S. Cl.**  
USPC ..... **D14/307**
- (58) **Field of Classification Search**  
USPC ..... D14/302-307, 900-902; D13/163;  
D20/10; D21/332, 325, 369, 370;  
D99/28; D6/397, 466; 194/206;  
361/679.01, 679.02, 679.04, 679.21,  
361/679.57, 725  
CPC ..... G06Q 20/18; G06Q 20/10; G06Q 20/123;  
G06Q 20/20; G06Q 30/02; G06Q 30/06;  
A47F 9/047  
See application file for complete search history.

- D854,538 S \* 7/2019 Szeredi ..... D14/307
- D857,007 S \* 8/2019 Pitallano ..... D14/307
- D861,778 S \* 10/2019 Day ..... D18/4.4
- D864,193 S \* 10/2019 Oosawa ..... D14/307
- D873,262 S \* 1/2020 Fernando ..... D14/307

\* cited by examiner

*Primary Examiner* — Austin Murphy  
(74) *Attorney, Agent, or Firm* — Stinson LLP

(57) **CLAIM**

The ornamental design for a kiosk, as shown and described.

**DESCRIPTION**

FIG. 1 is a perspective of another embodiment of a kiosk; FIG. 2 is a front elevation of the kiosk in FIG. 1, the rear elevation forming no part of the claimed design; FIG. 3 is a right side view of the kiosk in FIG. 1; FIG. 4 is a left side view of the kiosk in FIG. 1; FIG. 5 is a top plan view of the kiosk in FIG. 1; FIG. 6 is a bottom plan view of the kiosk in FIG. 1; FIG. 7 is a perspective of the kiosk in FIG. 1 showing a telephone attachment on the kiosk in phantom; FIG. 8 is a perspective of another embodiment of a kiosk; FIG. 9 is a front elevation of the kiosk in FIG. 8, the rear elevation forming no part of the claimed design; FIG. 10 is a right side view of the kiosk in FIG. 8; FIG. 11 is a left side view of the kiosk in FIG. 8; FIG. 12 is a top plan view of the kiosk in FIG. 8; FIG. 13 is a bottom plan view of the kiosk in FIG. 8; and, FIG. 14 is a perspective of the kiosk in FIG. 8 showing a telephone attachment on the kiosk in phantom. The elements shown in phantom form no part of the claimed design.

**1 Claim, 12 Drawing Sheets**

(56) **References Cited**

**U.S. PATENT DOCUMENTS**

- D589,829 S \* 4/2009 Friedli ..... D10/108
- D831,639 S \* 10/2018 Terry ..... D14/307
- D836,625 S \* 12/2018 Szeredi ..... D14/307
- D842,296 S \* 3/2019 Oross ..... D14/307

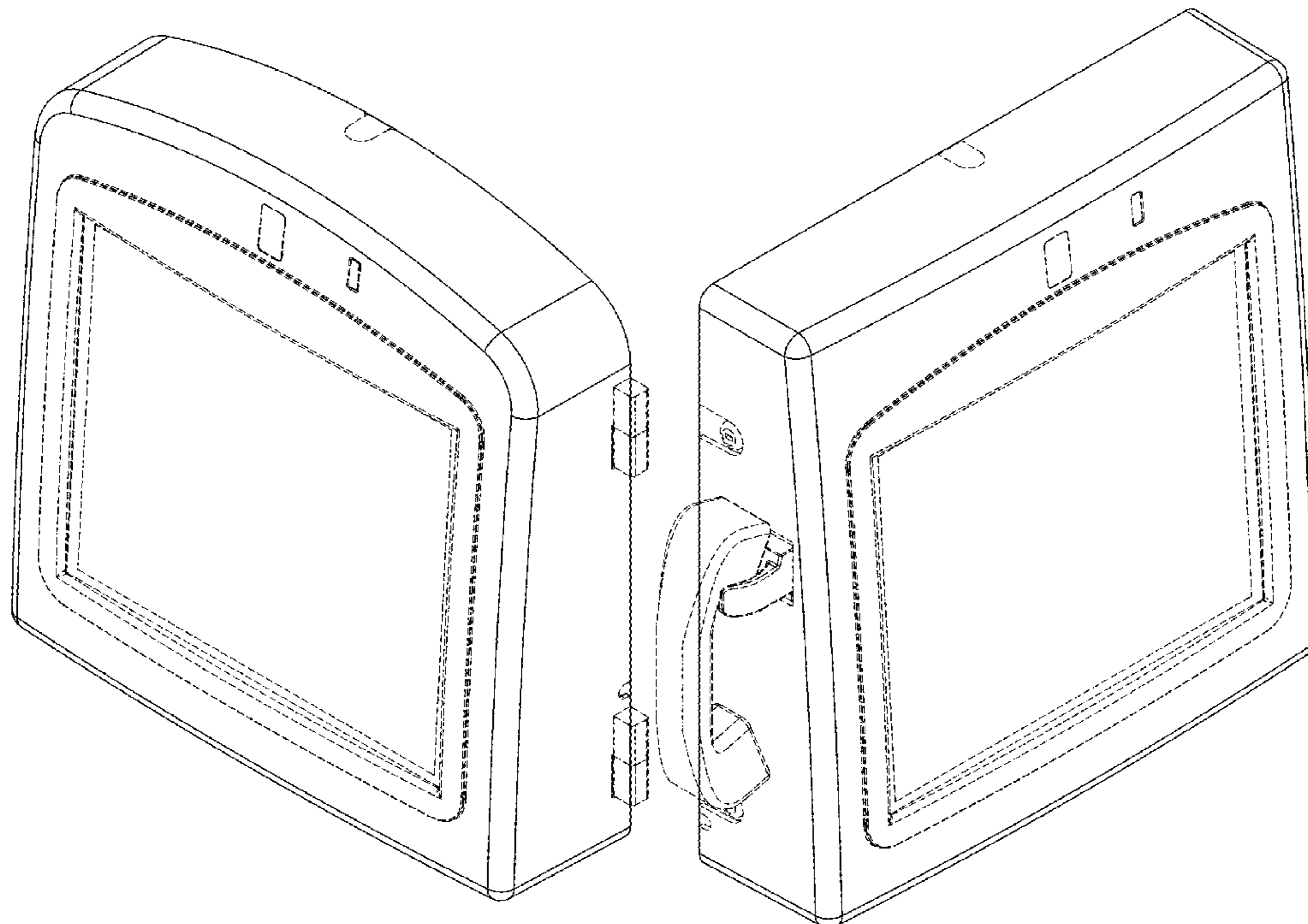


FIG. 1

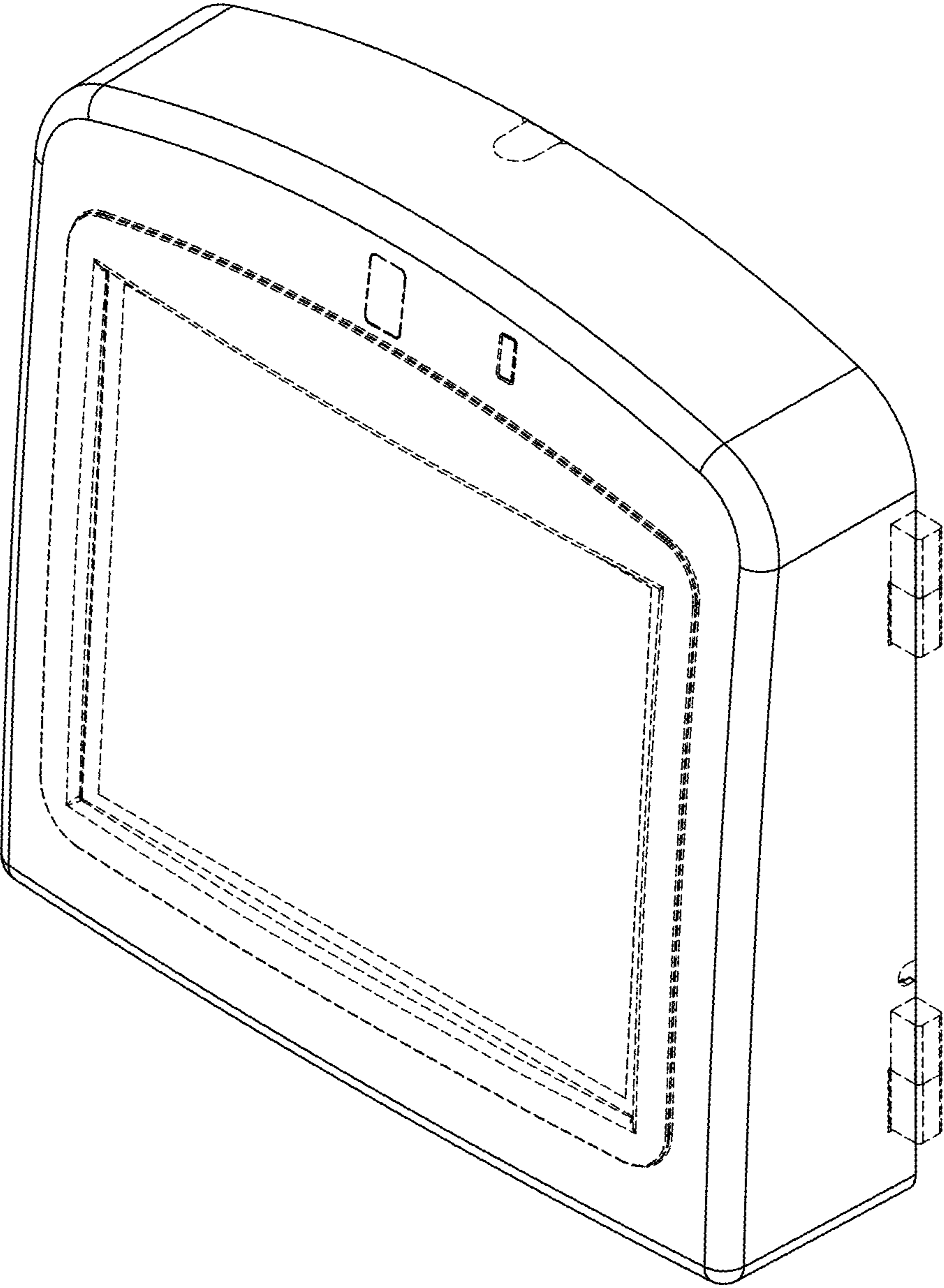


FIG. 2

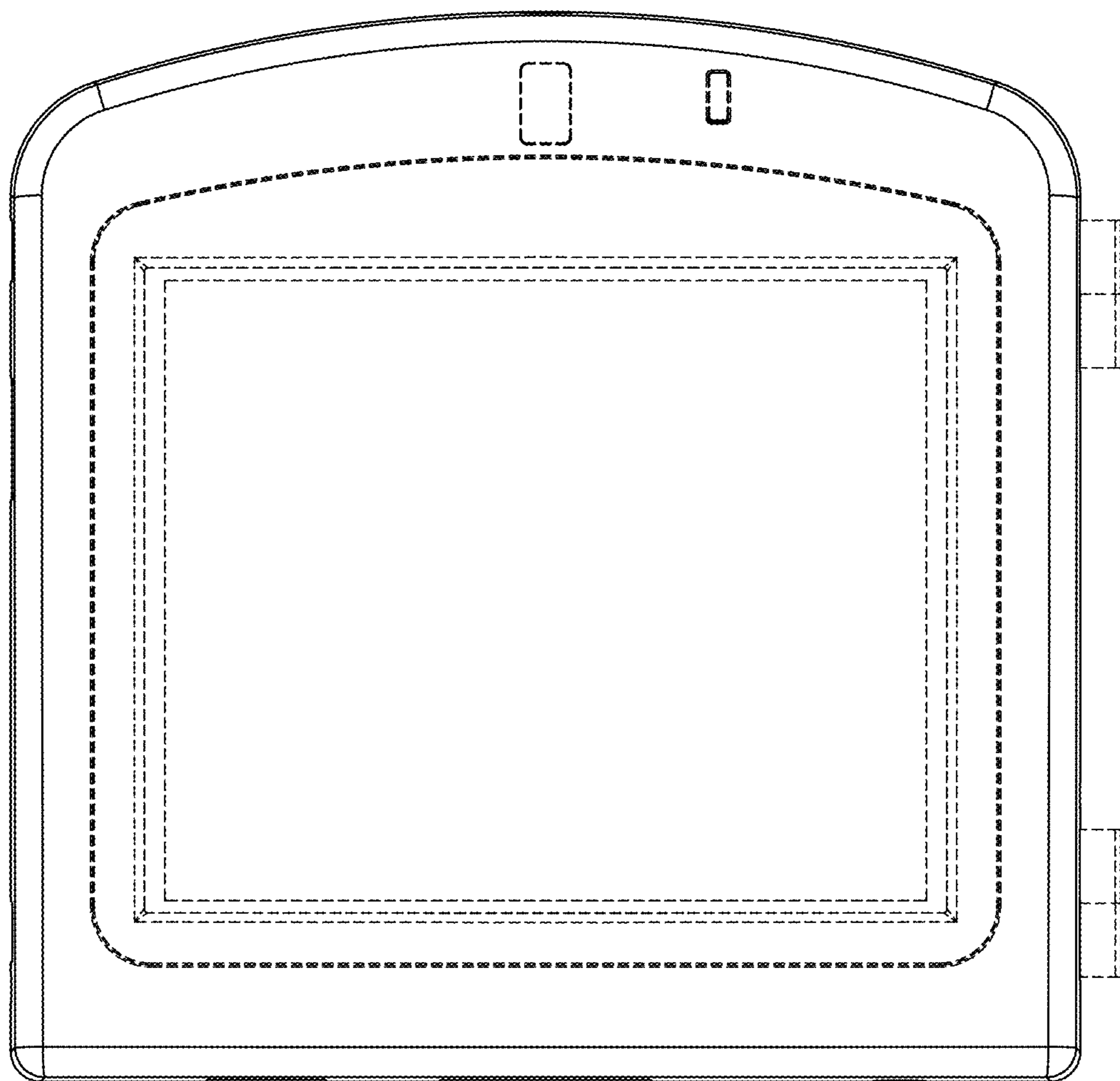


FIG. 3

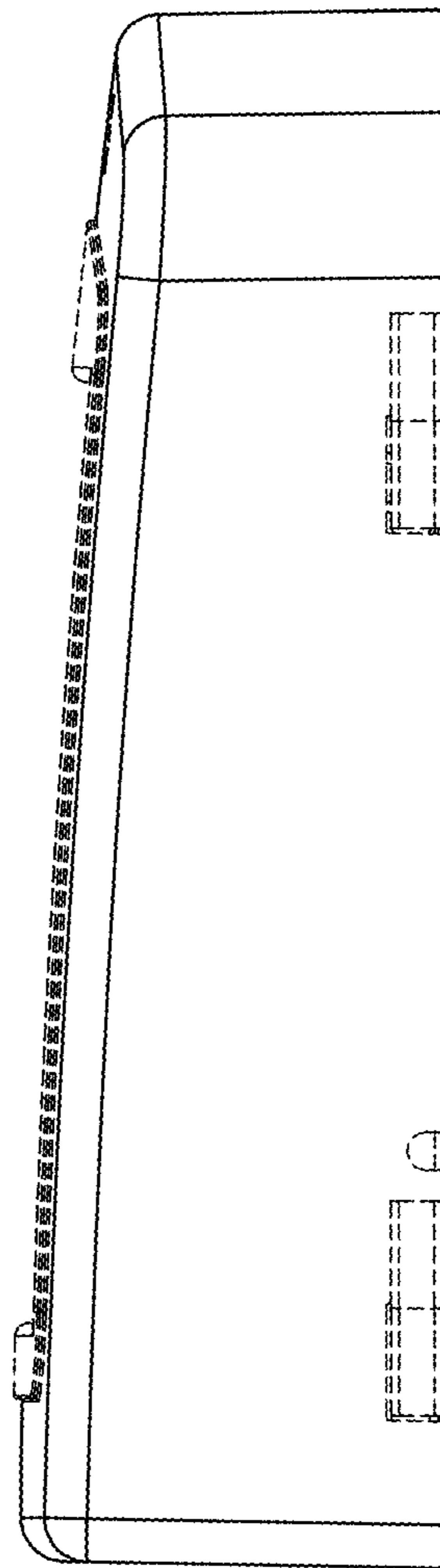


FIG. 4

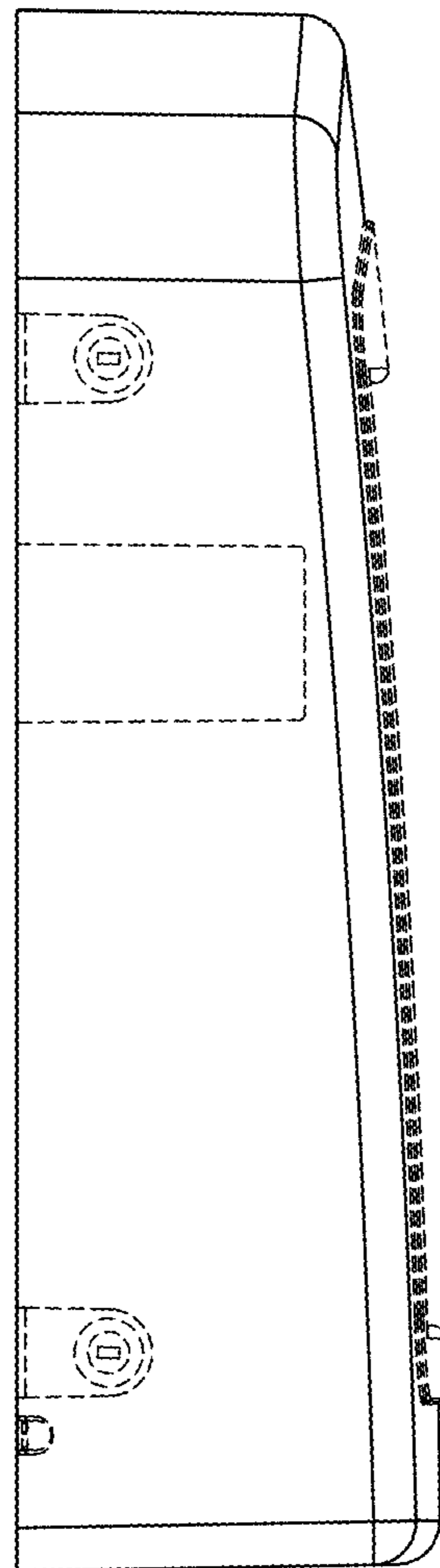


FIG. 5

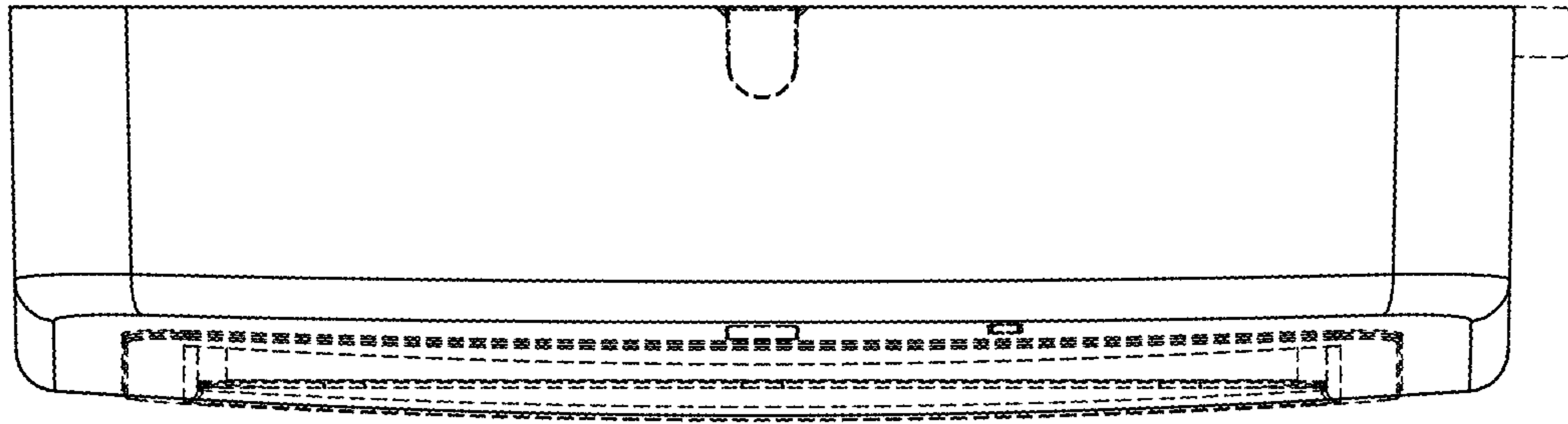


FIG. 6

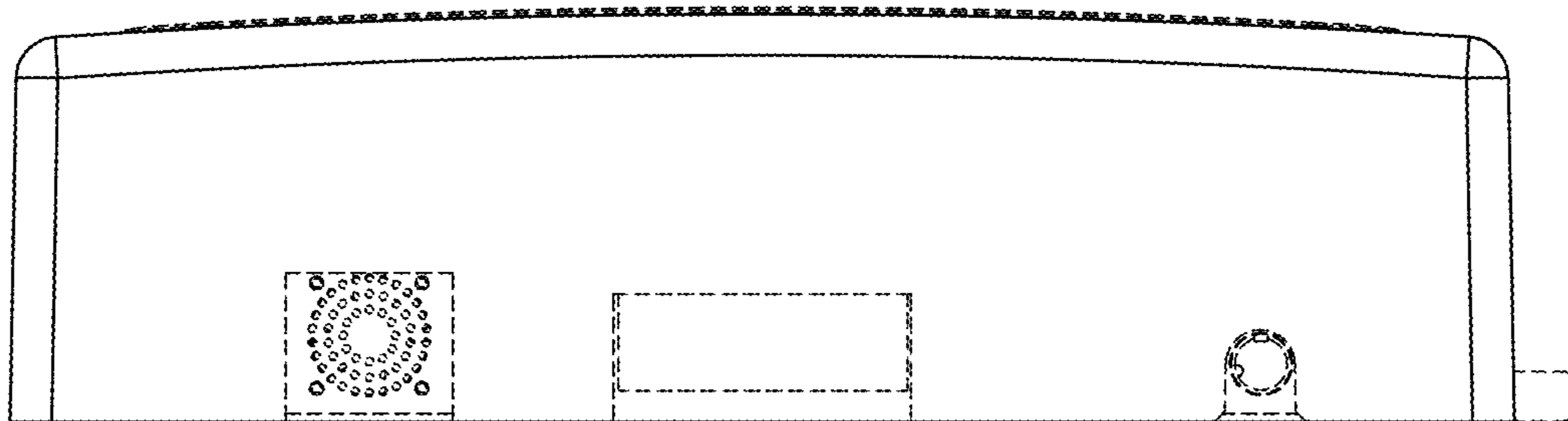


FIG. 7

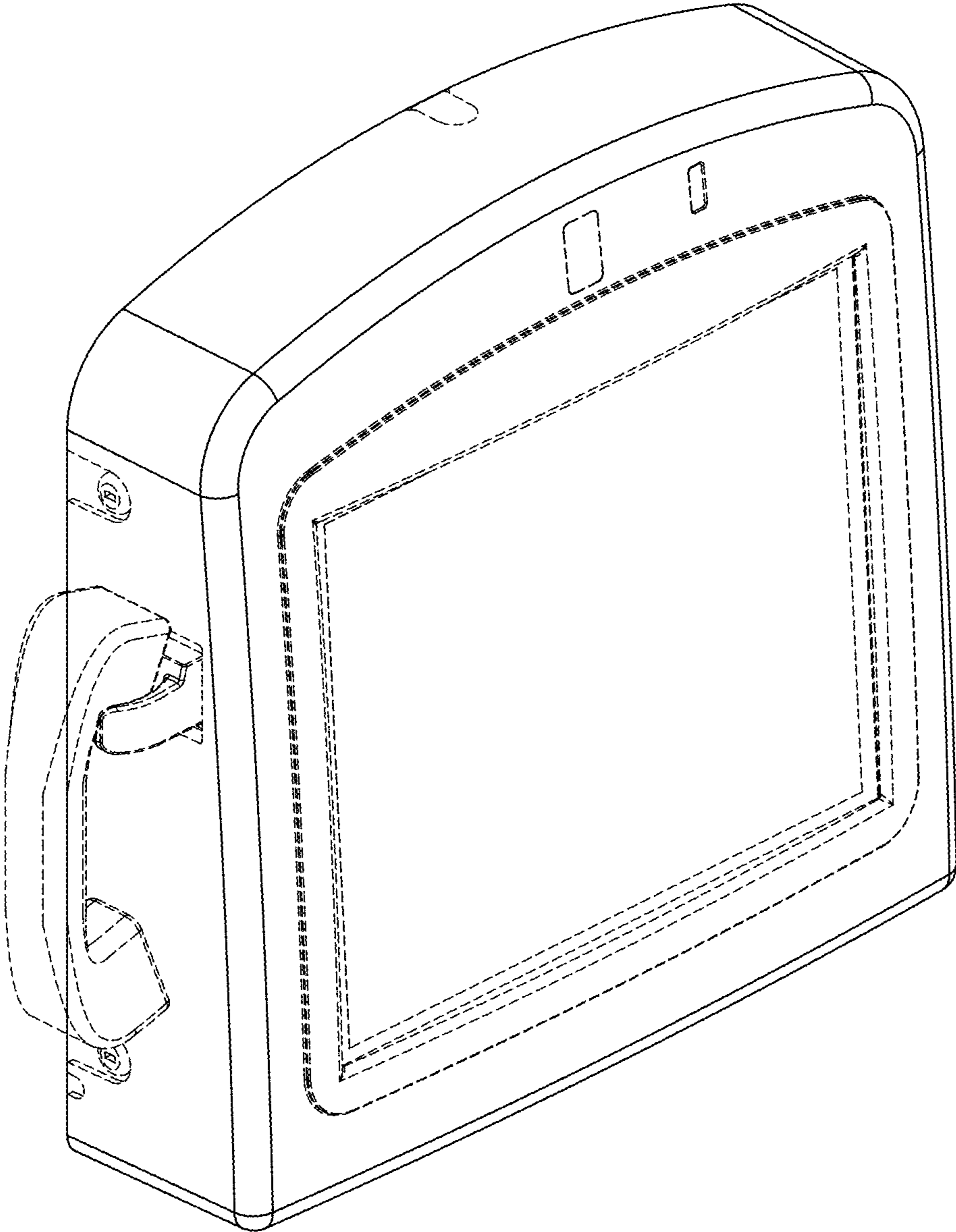


FIG. 8

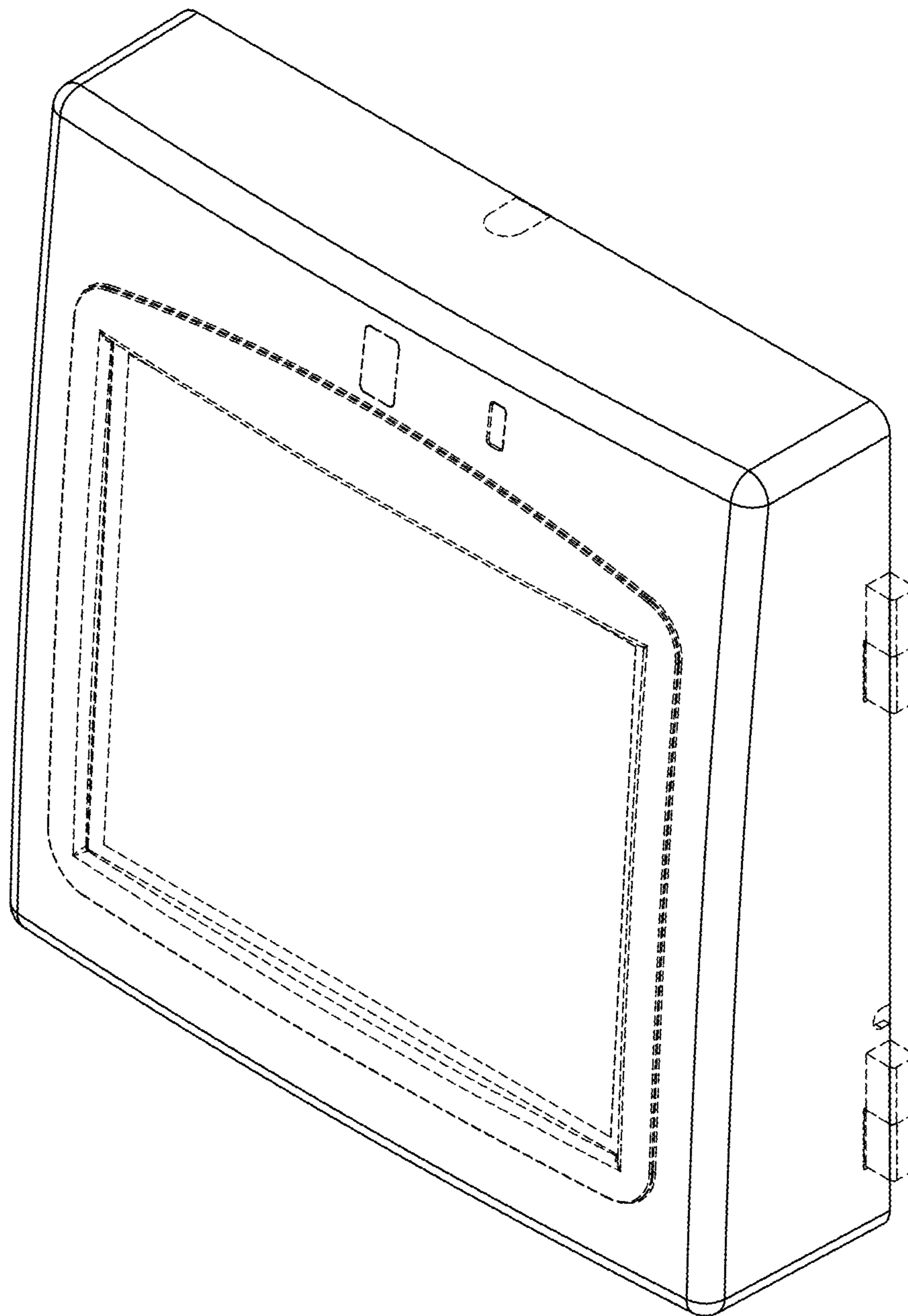




FIG. 9

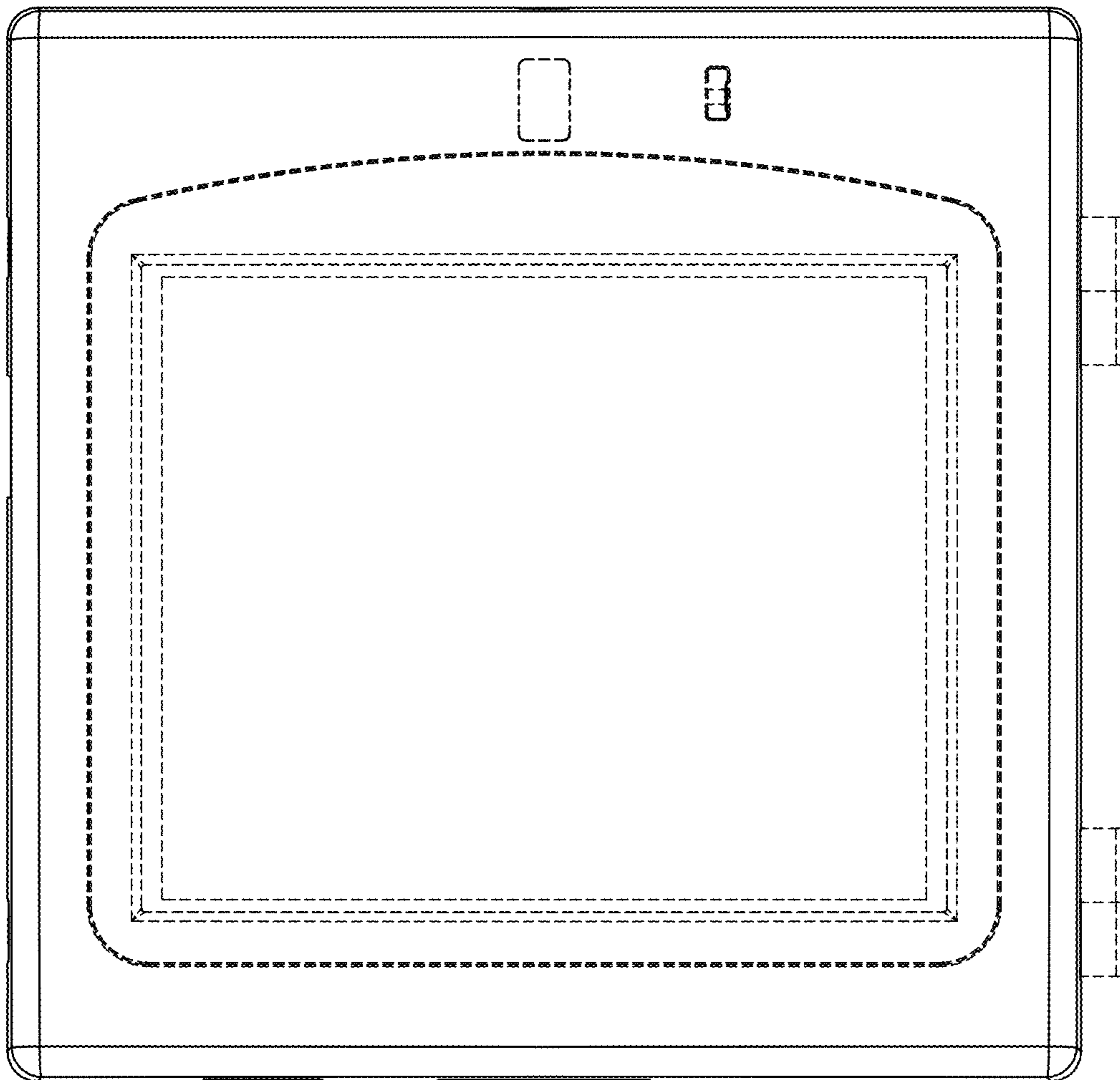


FIG. 10

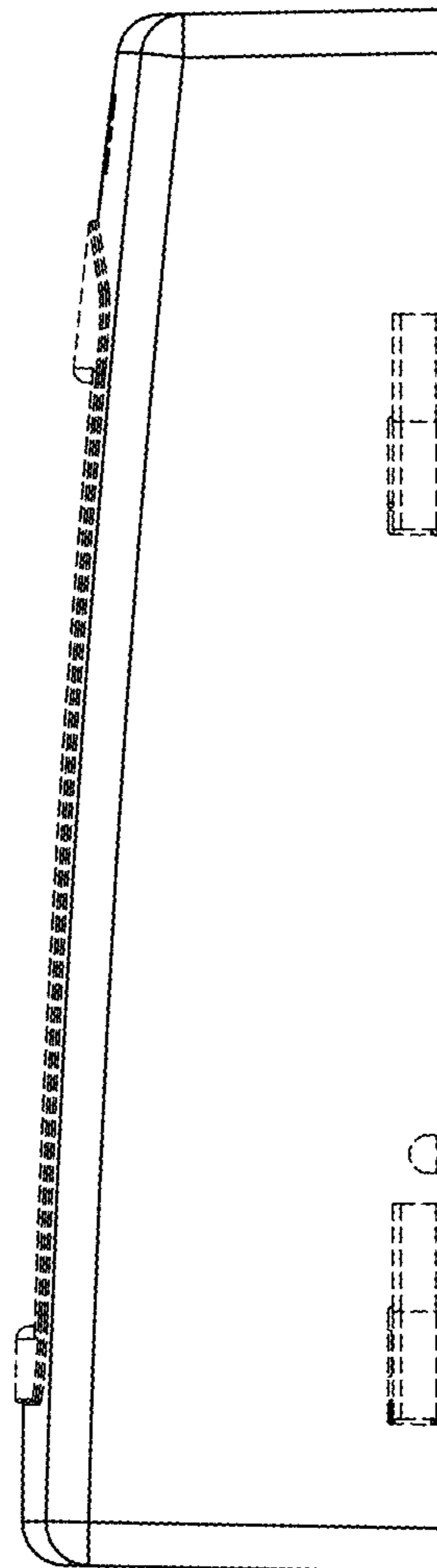


FIG. 11

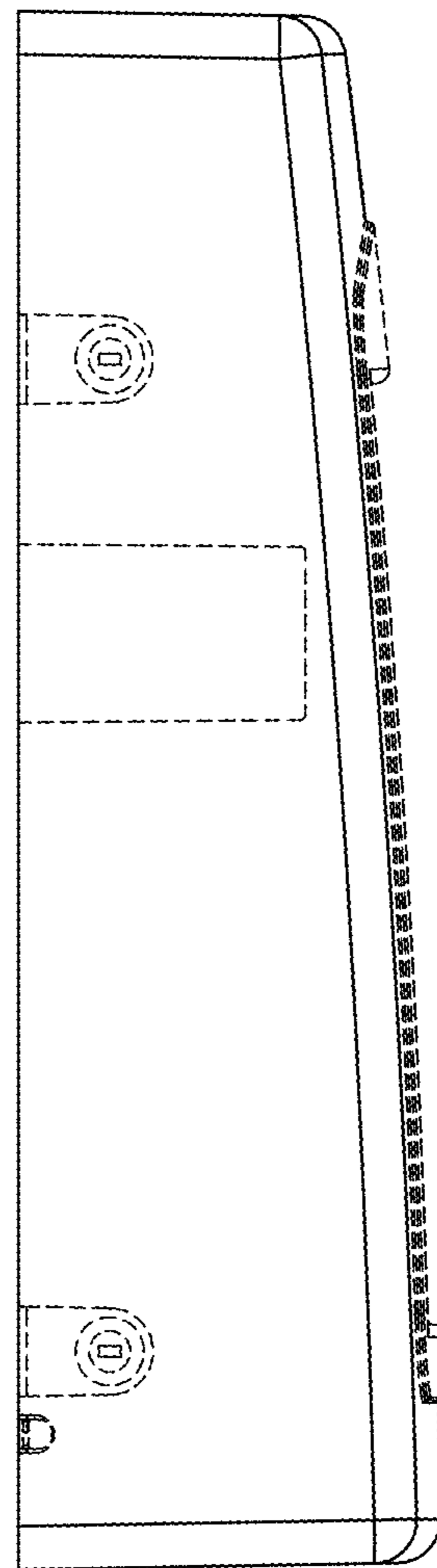


FIG. 12

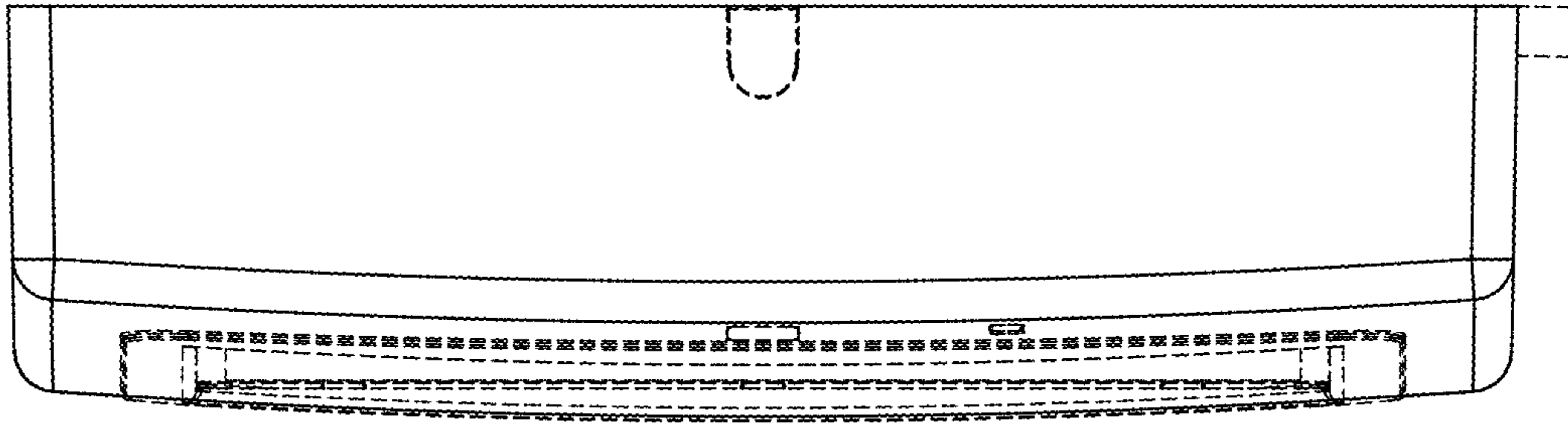


FIG. 13

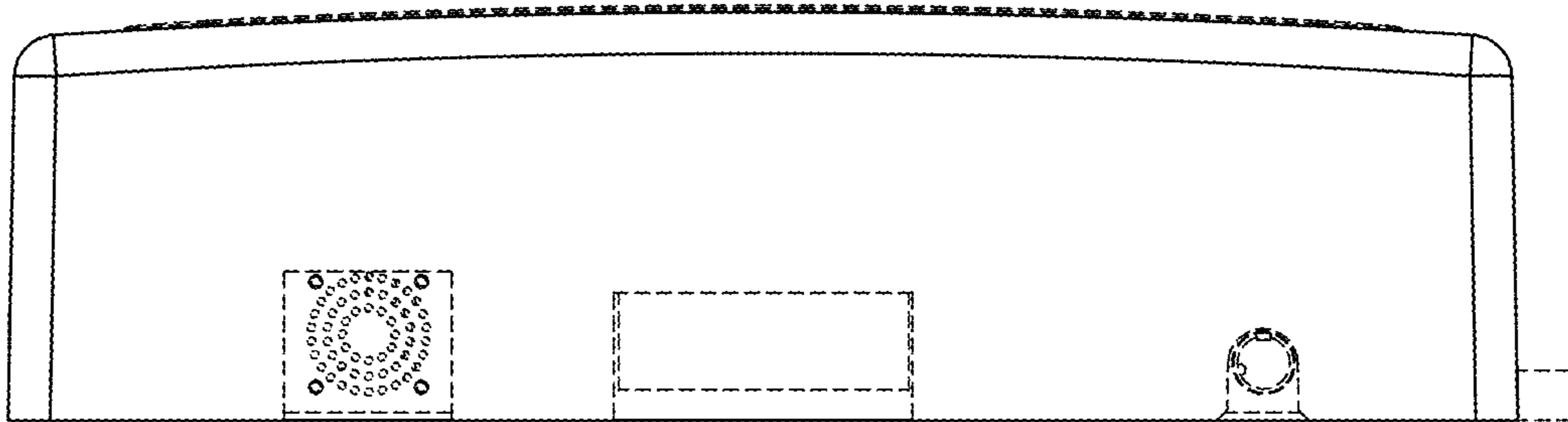


FIG. 14

