

US00D932482S

(12) **United States Design Patent** (10) **Patent No.:** **US D932,482 S**  
**Del Toro et al.** (45) **Date of Patent:** **\*\* Oct. 5, 2021**

- (54) **SUPPORT FOR ELECTRONIC DEVICE**
- (71) Applicant: **C2 Wireless and Accessories LLC**,  
Irvine, CA (US)
- (72) Inventors: **Carlos Del Toro**, Whittier, CA (US);  
**Peter Tu**, Irvine, CA (US); **Elva Huang**, Brea, CA (US)
- (73) Assignee: **C2 WIRELESS AND ACCESSORIES LLC**, Irvine, CA (US)
- (\*\*) Term: **15 Years**
- (21) Appl. No.: **29/703,320**
- (22) Filed: **Aug. 26, 2019**
- (51) **LOC (13) Cl.** ..... **14-03**
- (52) **U.S. Cl.**  
USPC ..... **D14/253**
- (58) **Field of Classification Search**  
USPC ..... D14/217, 251–253, 447, 452, 432–434,  
D14/440; D12/415; D3/218; D8/349,  
D8/363, 394–396; D16/242–244  
CPC ..... H04M 1/02; H04M 1/04; B60R 11/02;  
F16M 11/00; F16M 11/04; F16M 11/06;  
F16M 13/02; F16M 13/00; H05K 7/00;  
H05K 5/02; A47G 1/17  
See application file for complete search history.

(56) **References Cited**

U.S. PATENT DOCUMENTS

9,155,213	B2 *	10/2015	Jones	.....	F16M 11/041
D775,114	S *	12/2016	Khalili	.....	D14/250
D795,238	S *	8/2017	Kim	.....	D14/250
D826,917	S *	8/2018	Zhong	.....	D14/253
D842,290	S *	3/2019	Robertson	.....	D14/250

D855,605	S *	8/2019	Kim	.....	D14/250
D855,606	S *	8/2019	Kim	.....	D14/250
D860,984	S *	9/2019	Stagge	.....	D14/250
D864,188	S *	10/2019	Che	.....	D14/253
D883,272	S *	5/2020	Park	.....	D14/253
D894,890	S *	9/2020	Lederer	.....	D14/253
D905,040	S *	12/2020	Altschul	.....	H04B 1/3888 D14/251
D916,073	S *	4/2021	Li	.....	D14/253
2012/0025039	A1 *	2/2012	Segal	.....	F16M 13/022 248/188.6
2016/0286016	A1 *	9/2016	Lee	.....	H05K 5/0234
2018/0213664	A1 *	7/2018	Yuan	.....	F16M 11/10
2021/0059370	A1 *	3/2021	Del Toro	.....	F16M 13/00
2021/0091817	A1 *	3/2021	Heroux	.....	H04B 1/3888
2021/0100343	A1 *	4/2021	Murphy	.....	F16M 13/04

\* cited by examiner

*Primary Examiner* — Janice Hallmark

(74) *Attorney, Agent, or Firm* — Cochran Freund & Young LLC; William W. Cochran

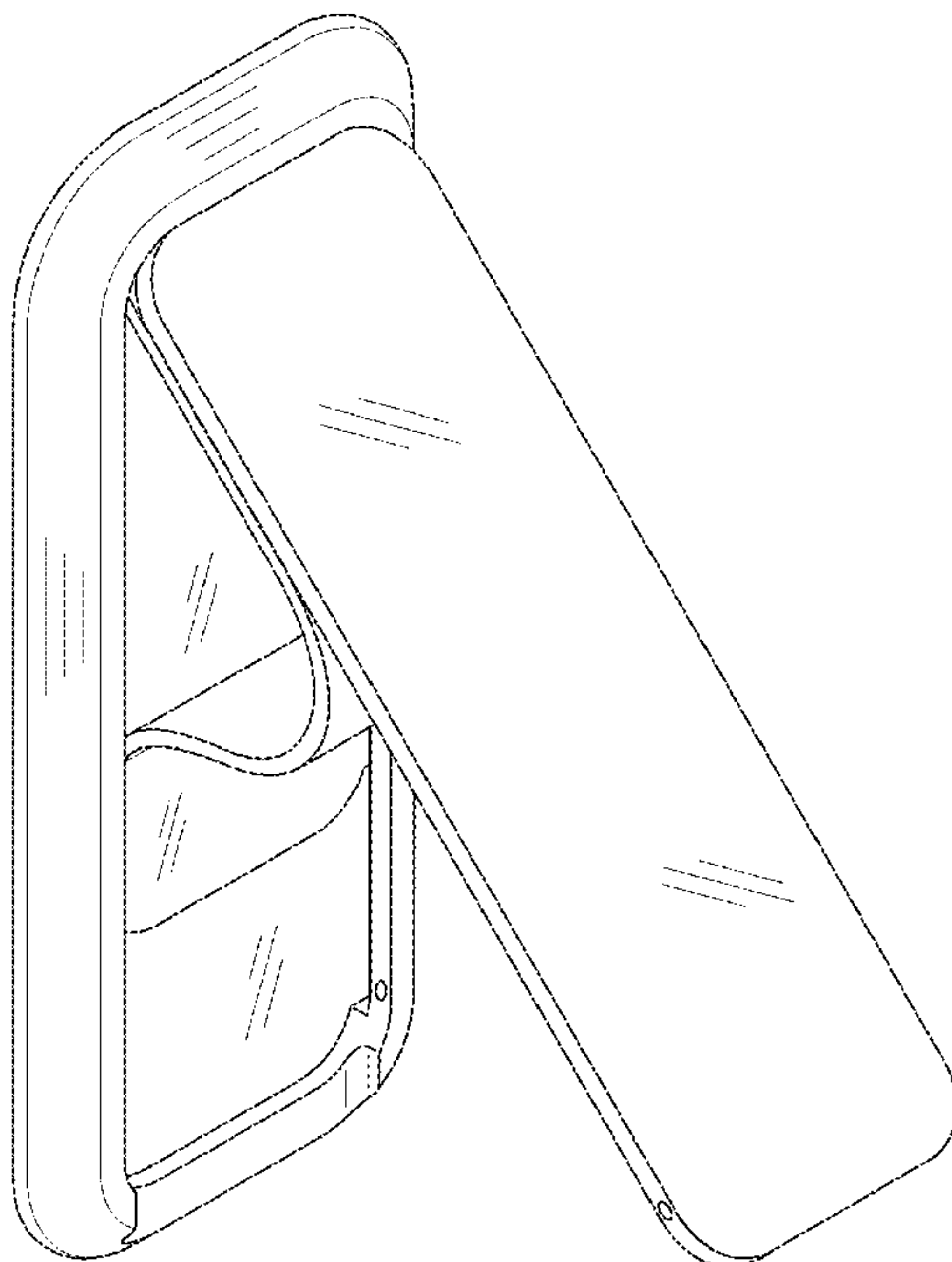
(57) **CLAIM**

The ornamental design for a support for electronic device, as shown and described.

**DESCRIPTION**

FIG. 1 is a front isometric view of a support for electronic device.  
 FIG. 2 is a top view of the support for electronic device.  
 FIG. 3 is a bottom view of the support for electronic device.  
 FIG. 4 is a front view of the support for electronic device.  
 FIG. 5 is a back view of the support for electronic device.  
 FIG. 6 is a left side view of the support for electronic device; and,  
 FIG. 7 is a right side view of the support for electronic device.

**1 Claim, 7 Drawing Sheets**



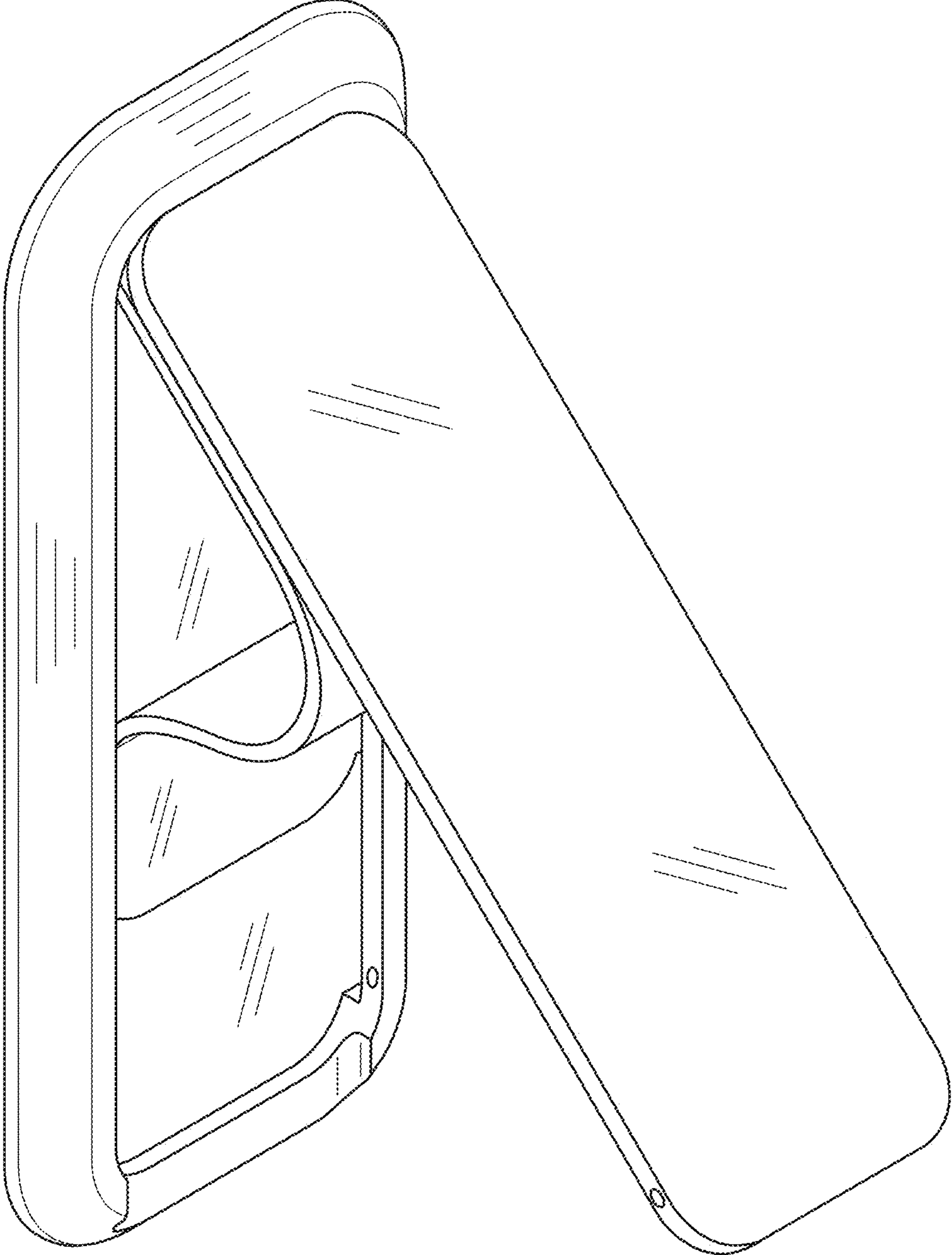


FIG. 1

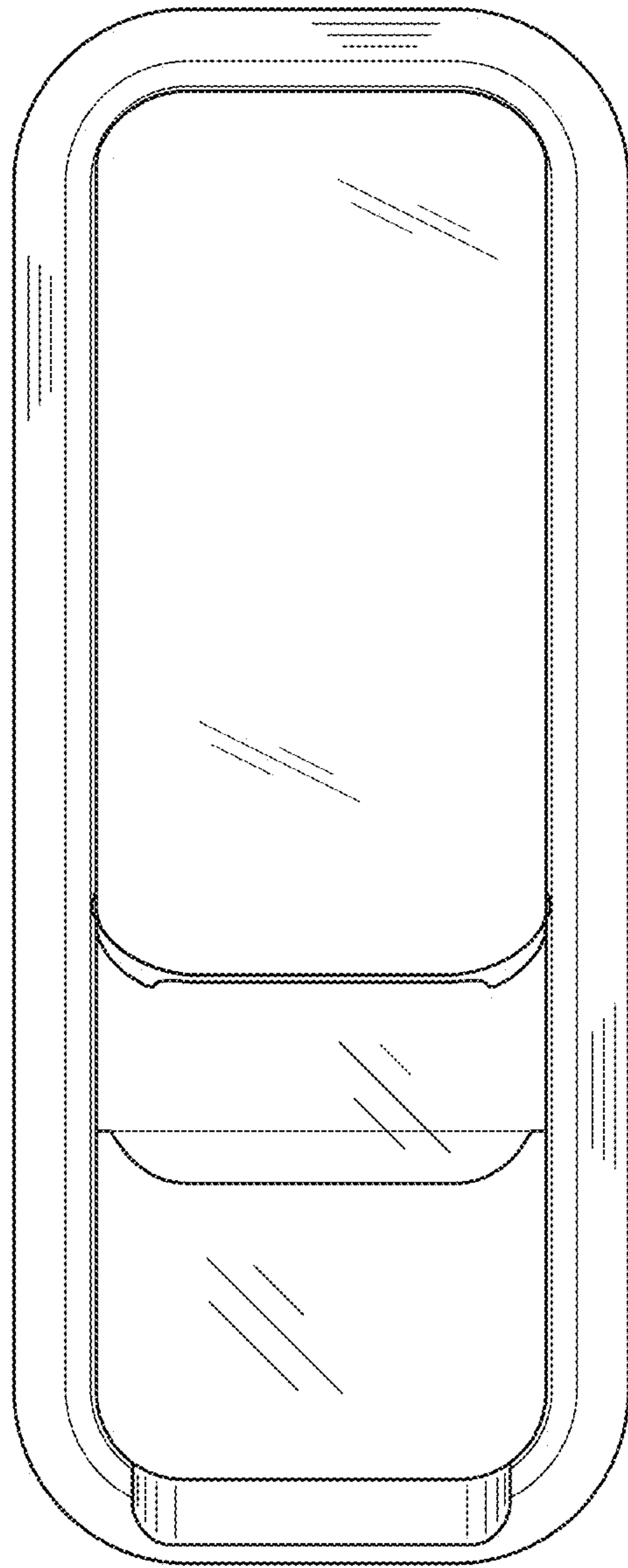


FIG. 2

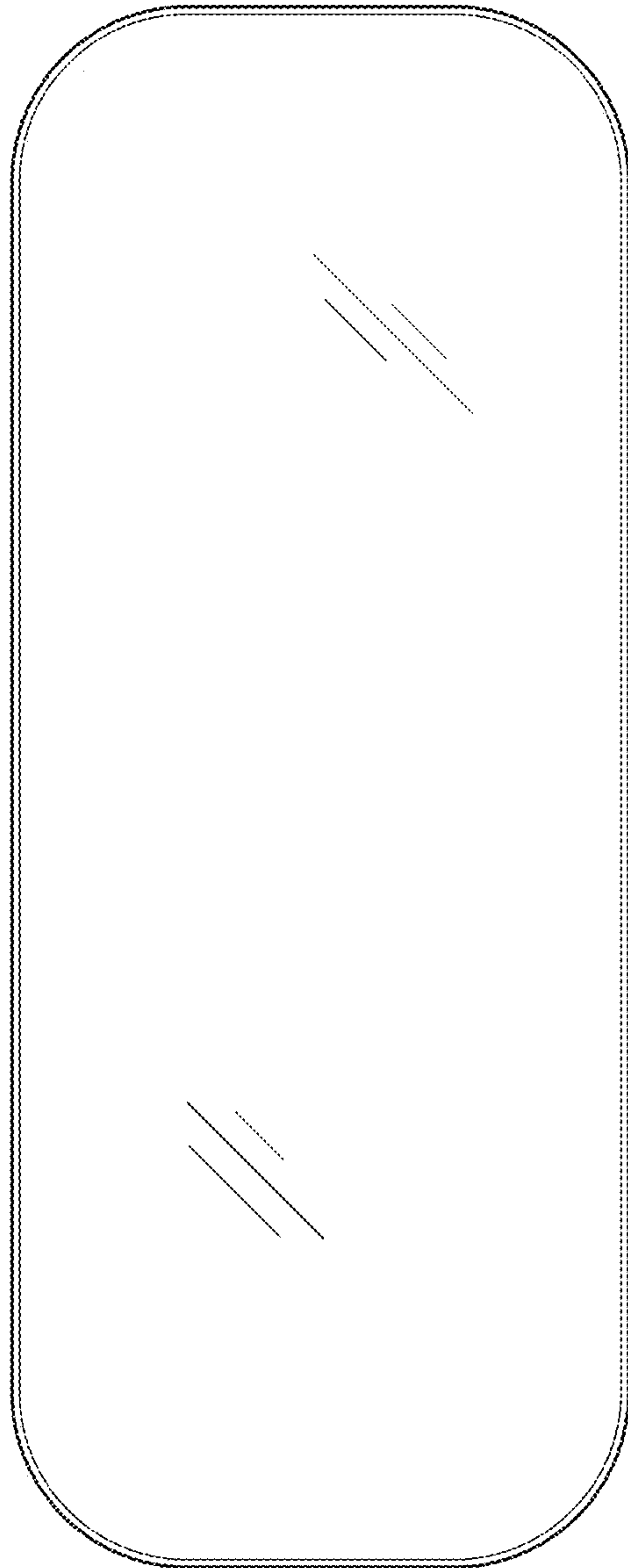


FIG. 3

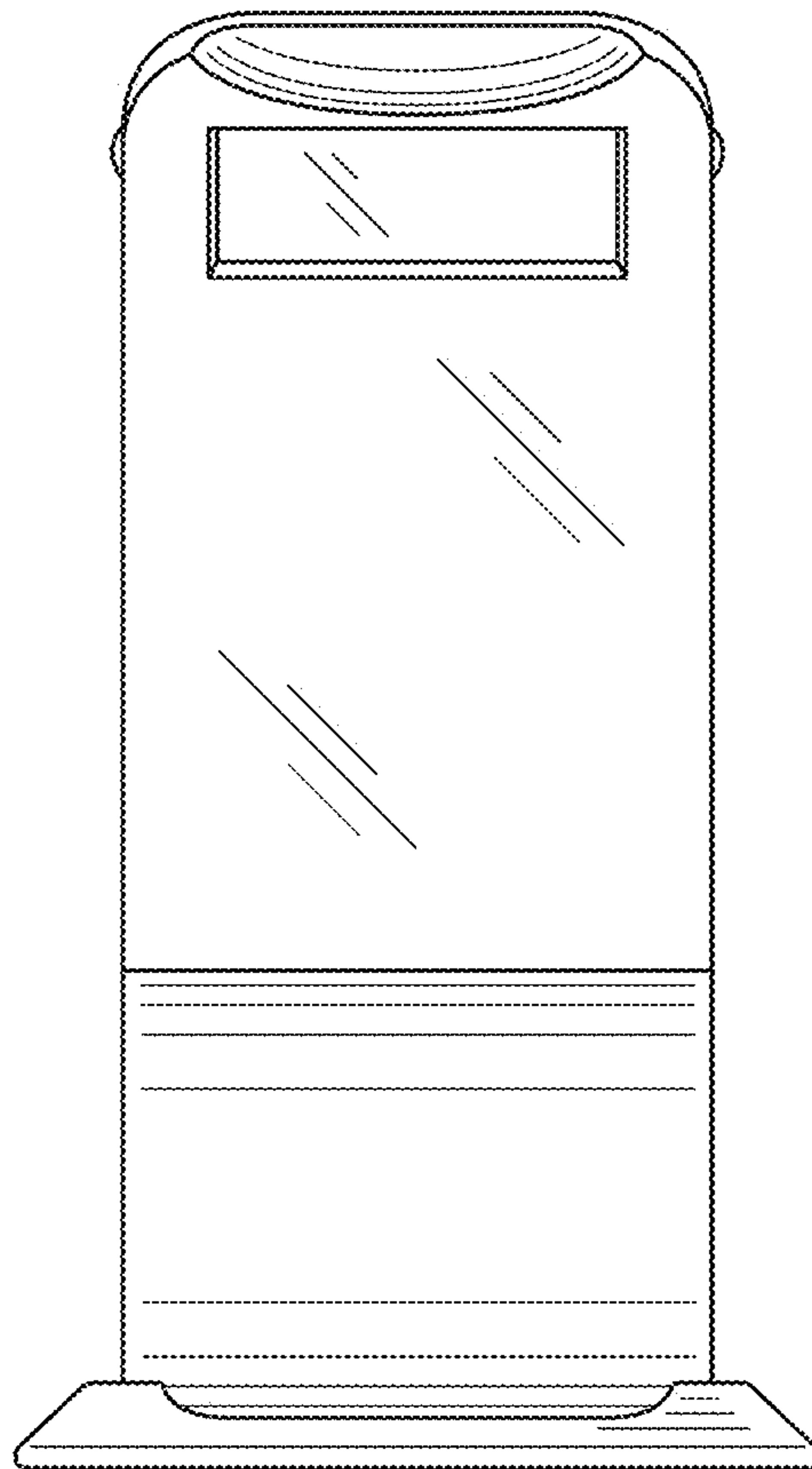


FIG. 4

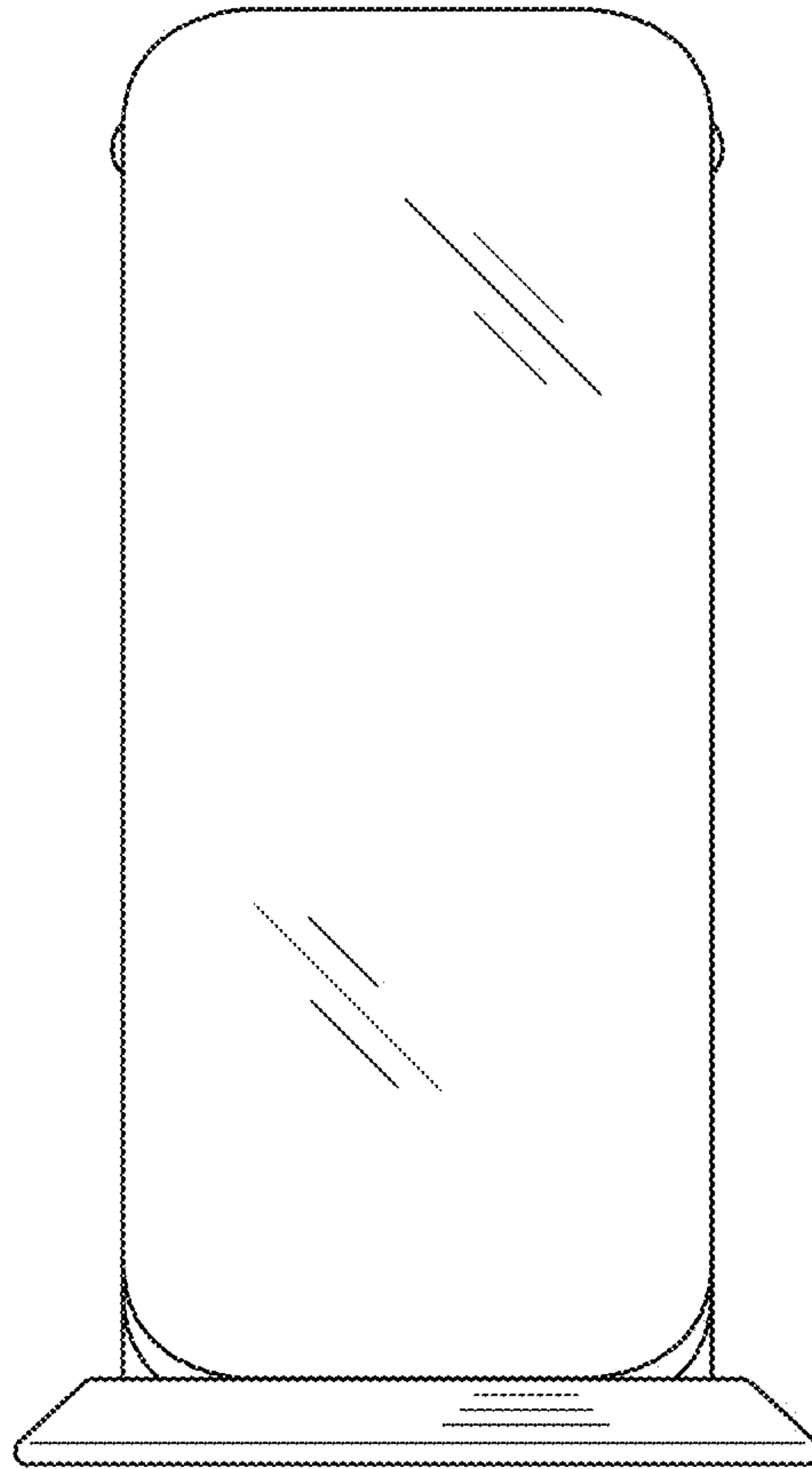


FIG. 5

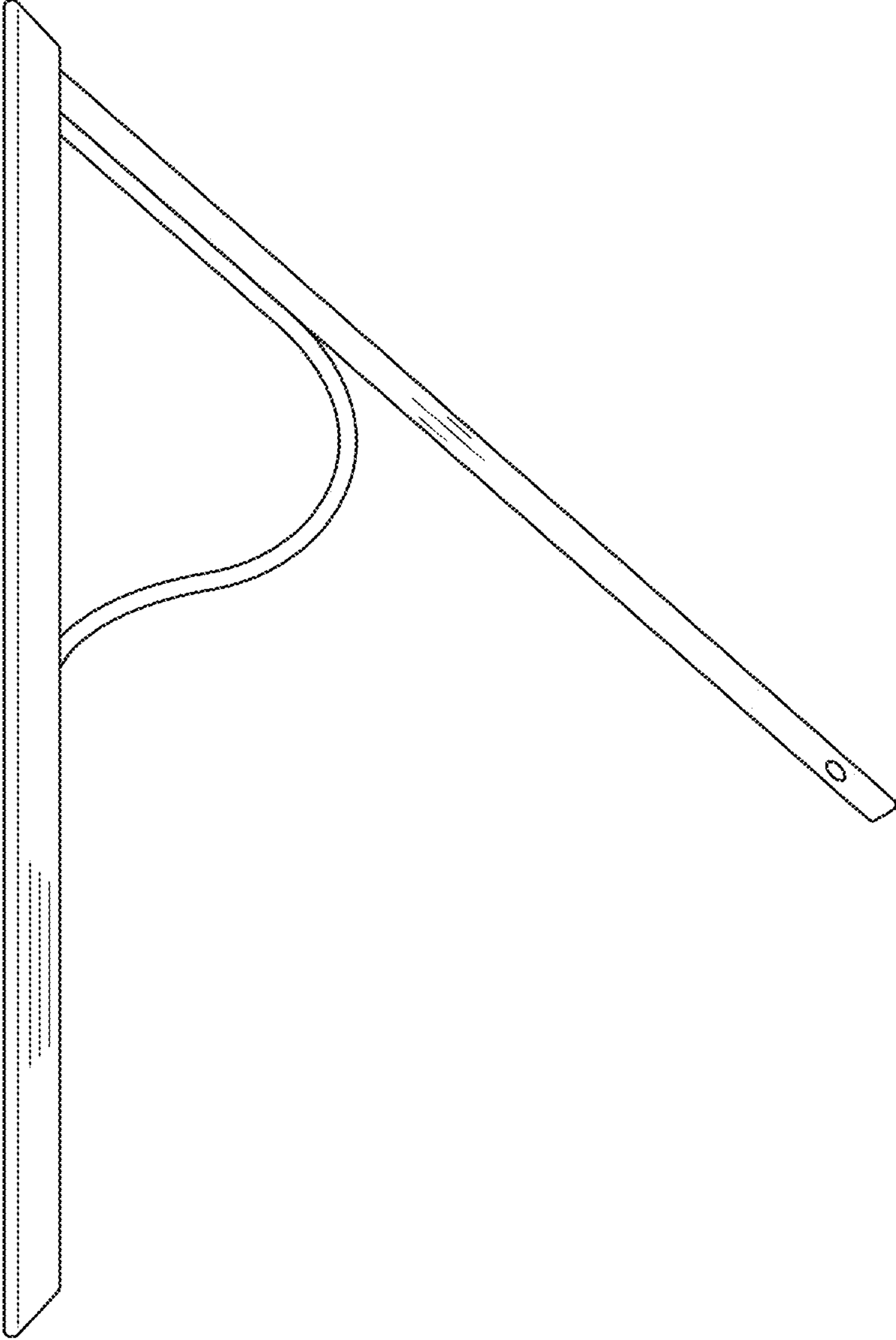


FIG. 6



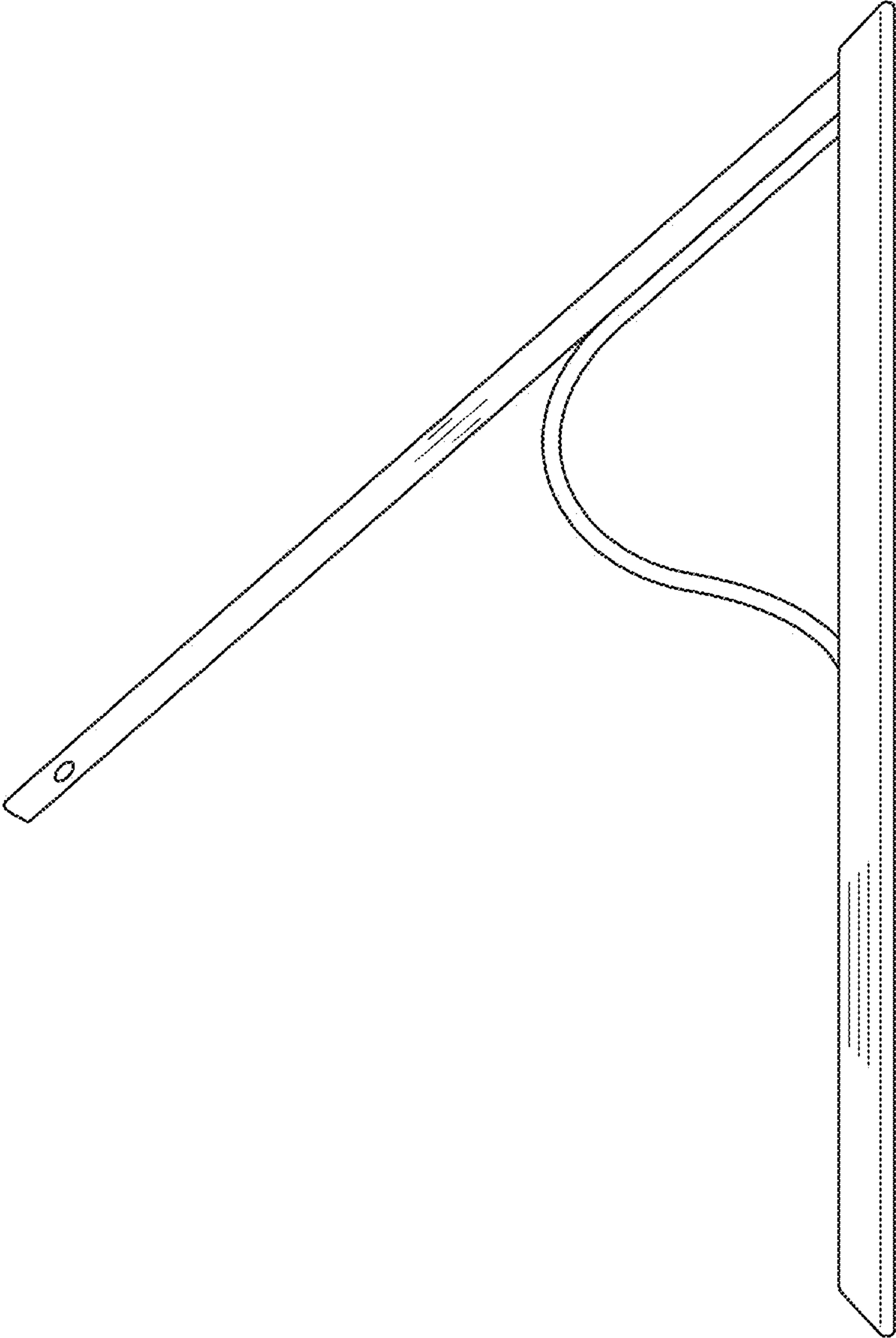


FIG. 7