



US00D932480S

(12) **United States Design Patent** (10) **Patent No.:** **US D932,480 S**
Tsai et al. (45) **Date of Patent:** **** *Oct. 5, 2021**

- (54) **HOLSTER FOR ELECTRONIC COMMUNICATIONS DEVICE**
- (71) Applicant: **LENNTEK CORPORATION**,
Torrance, CA (US)
- (72) Inventors: **Jeffrey Tsai**, Torrance, CA (US);
Danny Tsai, Torrance, CA (US)
- (73) Assignee: **Lenntek Corporation**, Torrance, CA
(US)
- (*) Notice: This patent is subject to a terminal disclaimer.
- (**) Term: **15 Years**
- (21) Appl. No.: **29/734,004**
- (22) Filed: **May 8, 2020**
- (51) **LOC (13) Cl.** **14-03**
- (52) **U.S. Cl.**
USPC **D14/250**
- (58) **Field of Classification Search**
USPC D14/203.3–203.7, 439, 251–253, 447,
D14/217, 240, 238.1, 250, 440, 248;
D13/107–108, 103, 119; D3/201, 218,
D3/247, 249, 269, 273, 301, 303
CPC . H04B 1/3888; A45C 13/02; A45C 2011/002;
A45C 1/06; A45C 11/00; A45F 2005/026;
A45F 2200/0525; A45F 2200/0516;
H04M 1/0283; H04M 1/0202
See application file for complete search history.

(56) **References Cited**
U.S. PATENT DOCUMENTS

| | | | |
|--------------|---------|------------------|---------|
| D151,806 S * | 11/1948 | Beitch | D14/252 |
| D360,210 S * | 7/1995 | Rudkiewicz | D14/142 |
| D416,908 S * | 11/1999 | Whisenant | D13/177 |
| D543,541 S * | 5/2007 | Chung | D3/218 |
| D609,464 S * | 2/2010 | Bullen | D3/218 |

| | | | |
|--------------|---------|-------------------|-----------|
| D610,579 S * | 2/2010 | Behar | D14/250 |
| D616,360 S * | 5/2010 | Huang | D13/103 |
| D617,776 S * | 6/2010 | Hightower | D14/217 |
| D618,454 S * | 6/2010 | Vogias | D3/215 |
| D627,771 S * | 11/2010 | Smith | D14/253 |
| D653,248 S * | 1/2012 | Fahrendorff | D14/250 |
| D710,340 S * | 8/2014 | Wengreen | D14/238.1 |
| D716,580 S * | 11/2014 | Wengreen | D6/567 |
| D722,043 S * | 2/2015 | Requa | D14/217 |
| D729,544 S * | 5/2015 | Wengreen | D6/567 |
| D745,014 S * | 12/2015 | Vales | D14/447 |
| D751,563 S * | 3/2016 | Wengreen | D14/447 |
| D756,983 S * | 5/2016 | Karlsson | D14/250 |

(Continued)

Primary Examiner — Carla J Wright
(74) *Attorney, Agent, or Firm* — Rosenthal IP Law;
Lawrence Rosenthal

(57) **CLAIM**

We claim the ornamental design for a holster for electronic communications device, as shown and described.

DESCRIPTION

FIG. 1 is a front, left-side, and bottom perspective view of a holster for electronic communications device showing our new design;

FIG. 2 is a back, right-side, and bottom perspective view thereof;

FIG. 3 is a front elevational view thereof;

FIG. 4 is a back elevational view thereof;

FIG. 5 is a left-side elevational view thereof;

FIG. 6 is a right-side elevational view thereof;

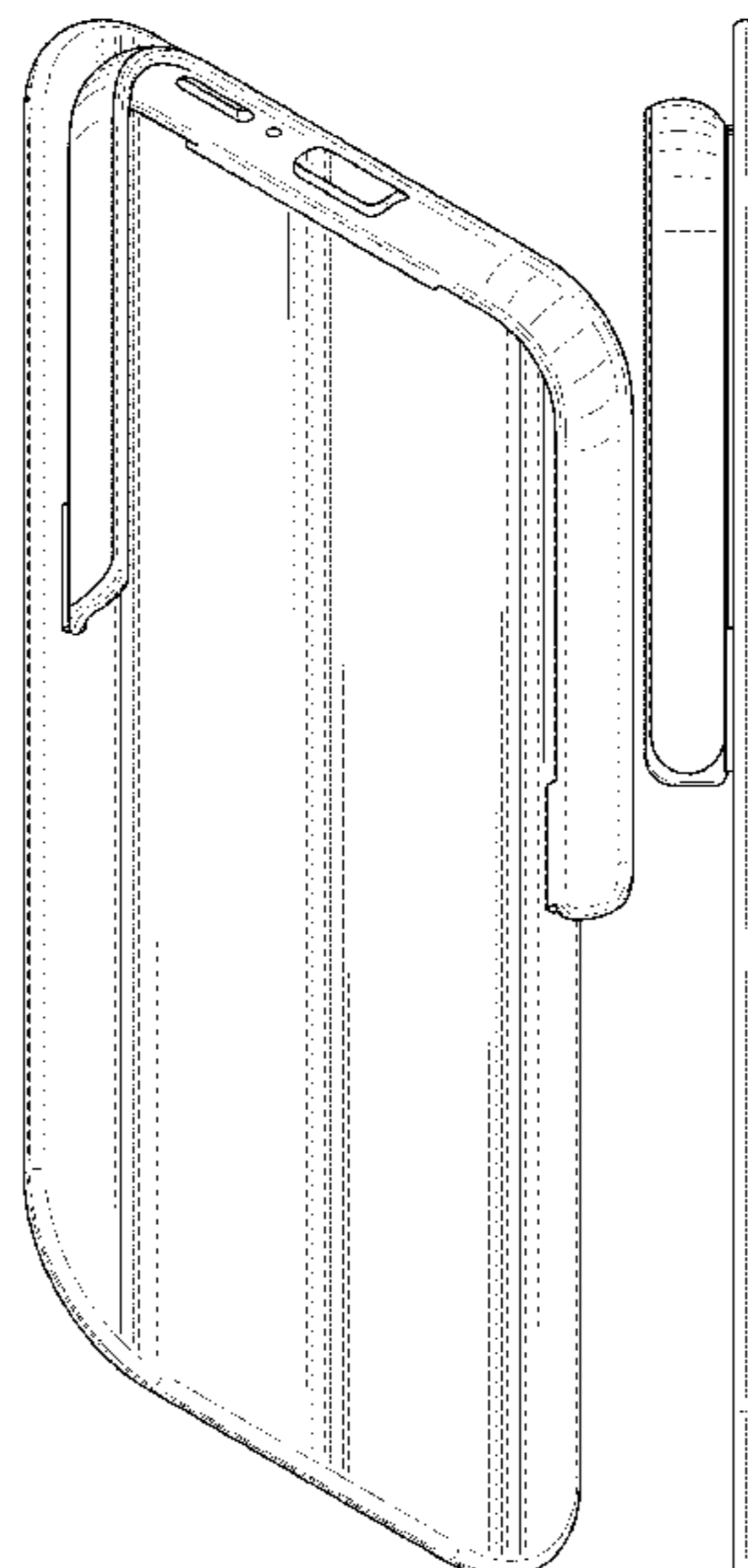
FIG. 7 is a top elevational view thereof;

FIG. 8 is a bottom elevational view thereof; and,

FIG. 9 is a front, left-side, and bottom perspective view thereof shown in a state of use with an environmental electronic communications device.

The broken lines in FIG. 9 depict an environmental electronic communications device that forms no part of the claimed design.

1 Claim, 7 Drawing Sheets



(56)

References Cited

U.S. PATENT DOCUMENTS

| | | | | | | |
|--------------|----|---|---------|------------|-------|------------------------|
| D779,466 | S | * | 2/2017 | Wengreen | | D14/238.1 |
| D794,624 | S | * | 8/2017 | Fernandes | | D14/250 |
| D797,546 | S | * | 9/2017 | Saideh | | D8/354 |
| 9,900,998 | B2 | * | 2/2018 | Rostami | | H05K 5/0086 |
| D815,081 | S | * | 4/2018 | Webber | | D14/250 |
| D823,289 | S | * | 7/2018 | Akana | | D14/250 |
| D843,993 | S | * | 3/2019 | Jeong | | D14/250 |
| D847,800 | S | * | 5/2019 | Wengreen | | D14/238.1 |
| D884,165 | S | * | 5/2020 | deBock | | D24/128 |
| D905,035 | S | * | 12/2020 | Debaigue | | D14/250 |
| D908,684 | S | * | 1/2021 | Coverstone | | D14/250 |
| 2010/0210308 | A1 | * | 8/2010 | Sherman | | G06F 1/1626 455/558 |

* cited by examiner

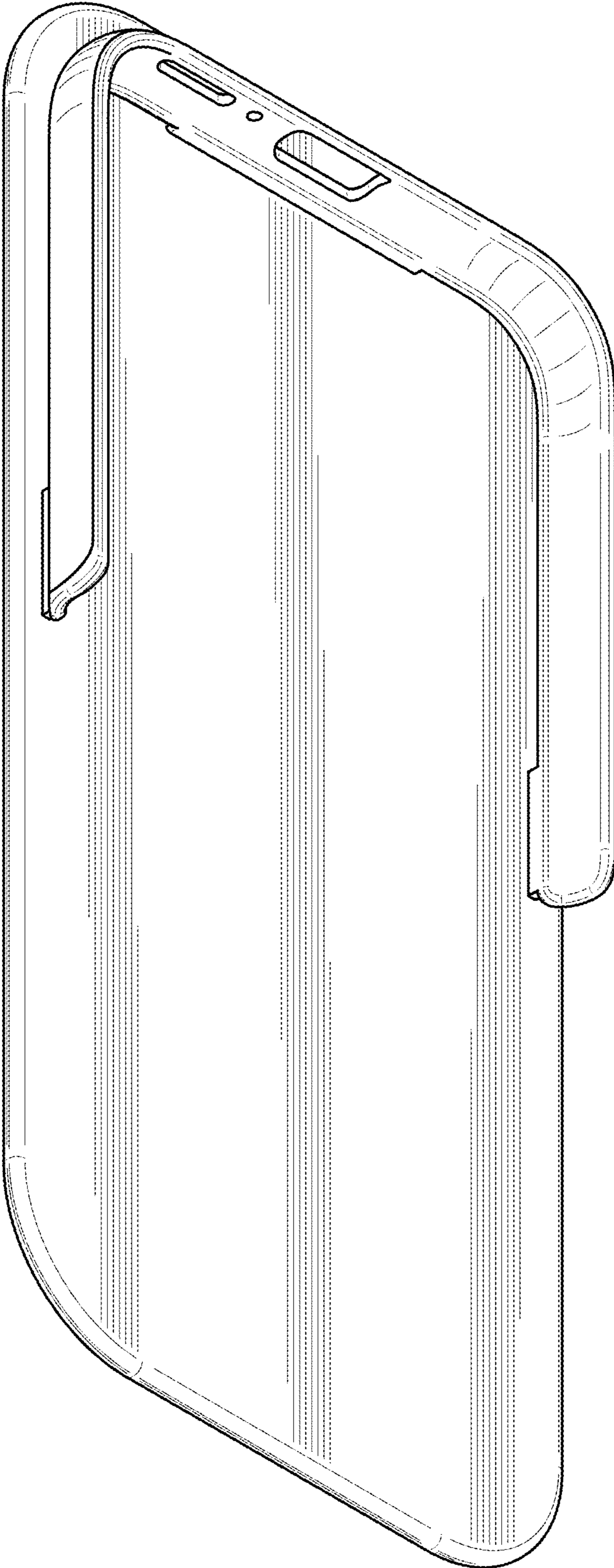


FIG. 1

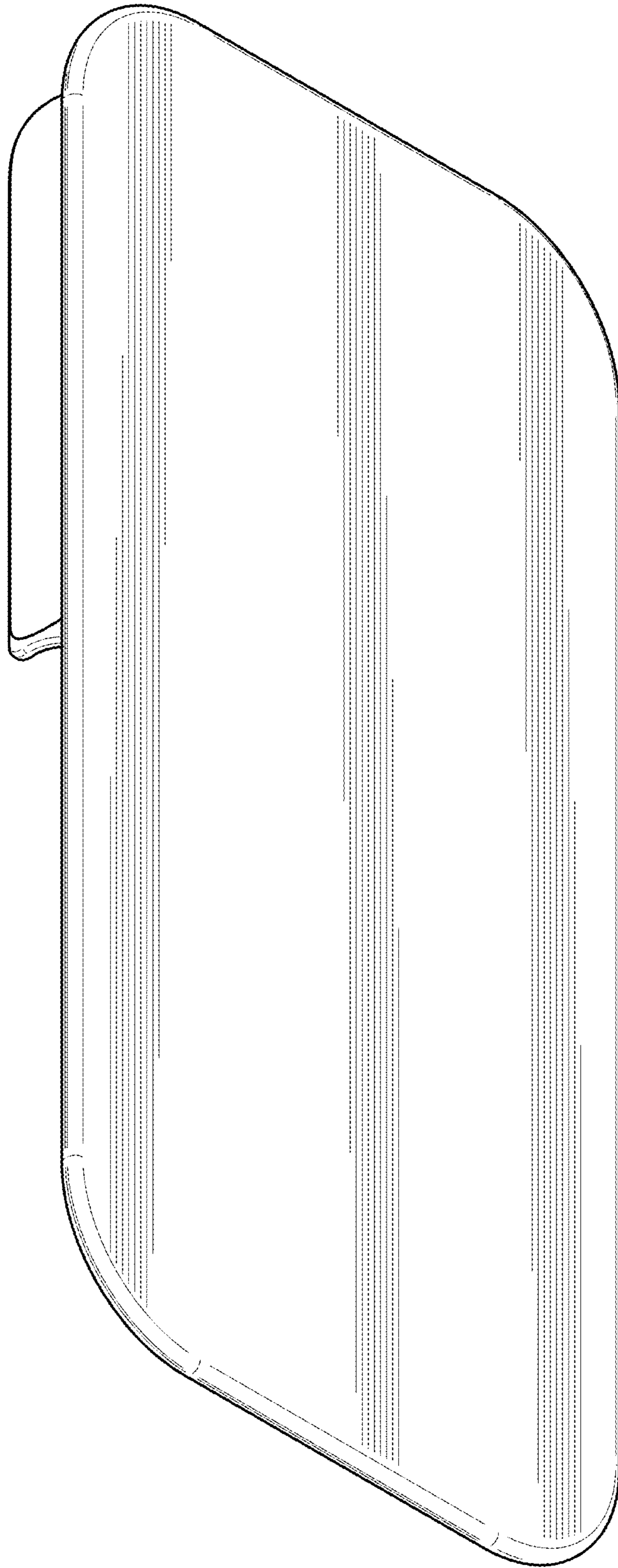


FIG. 2

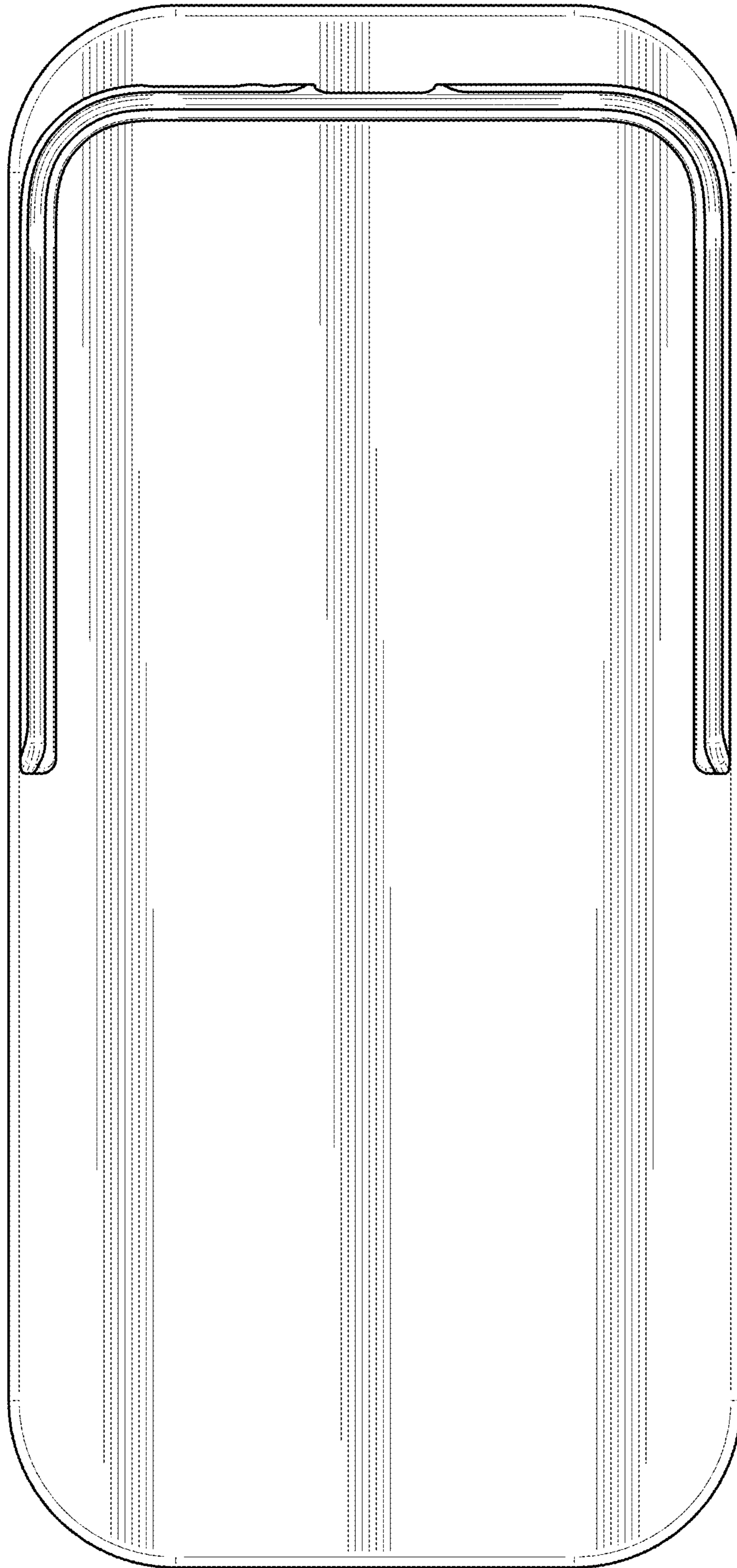


FIG. 3

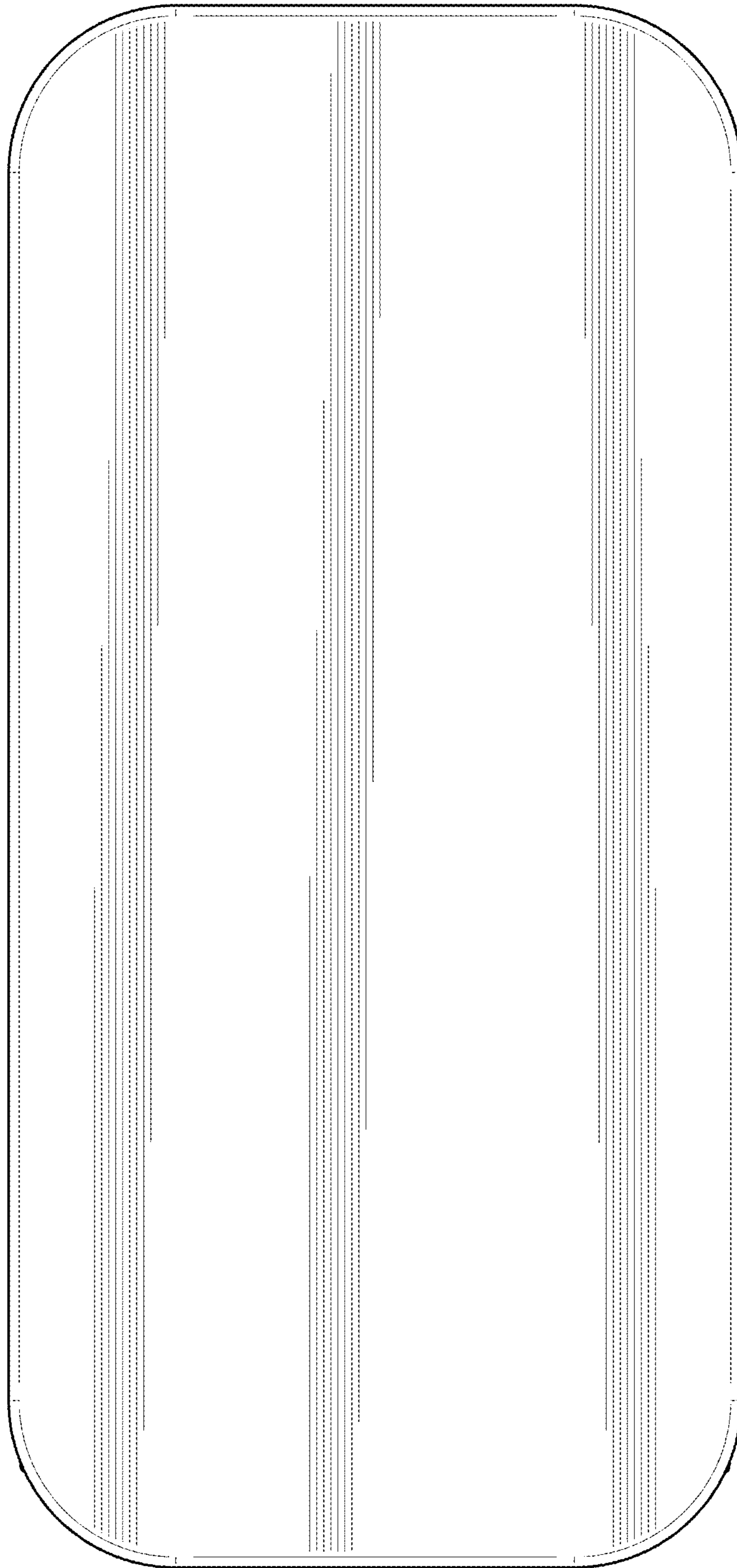


FIG. 4

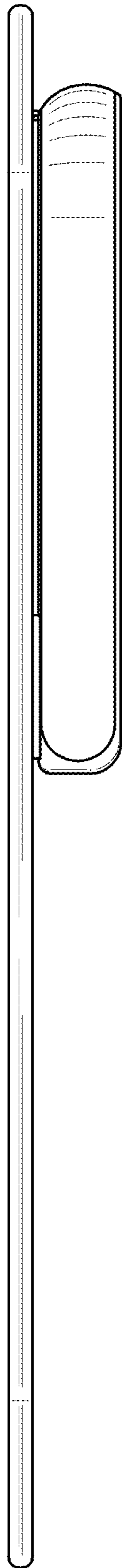


FIG. 5

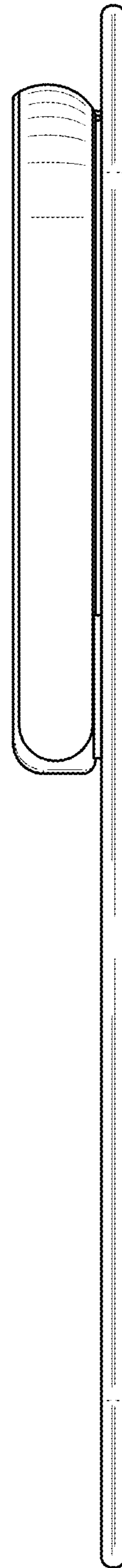


FIG. 6

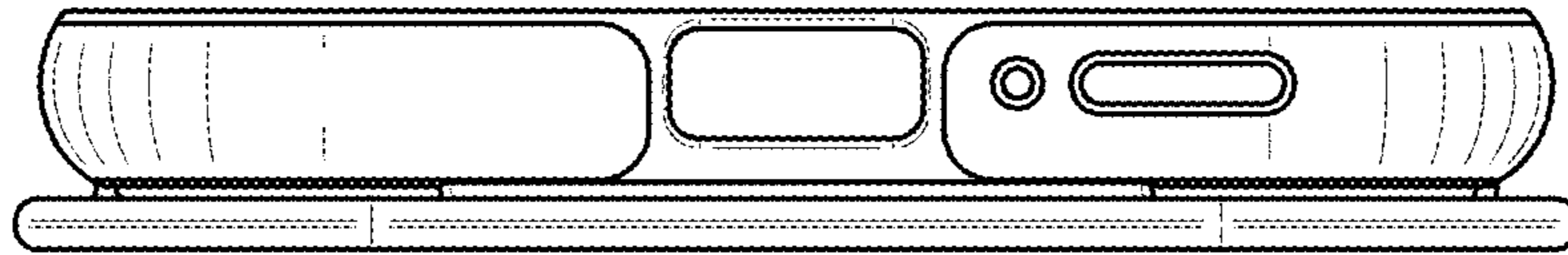


FIG. 7

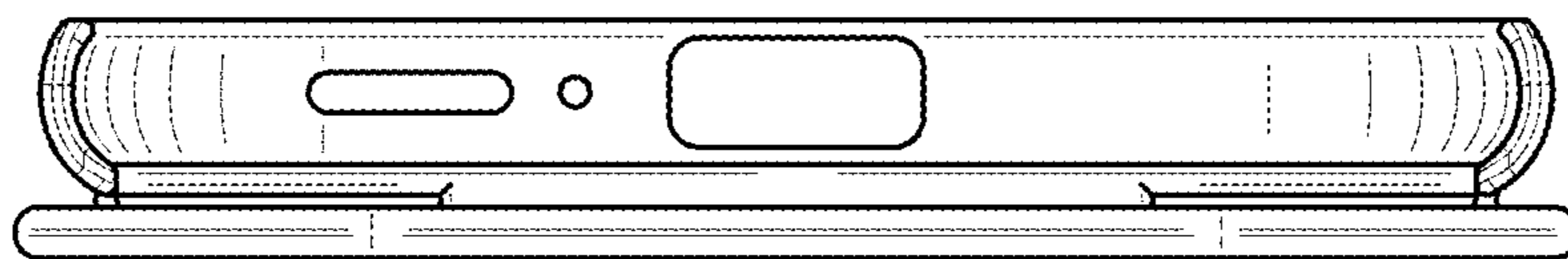


FIG. 8

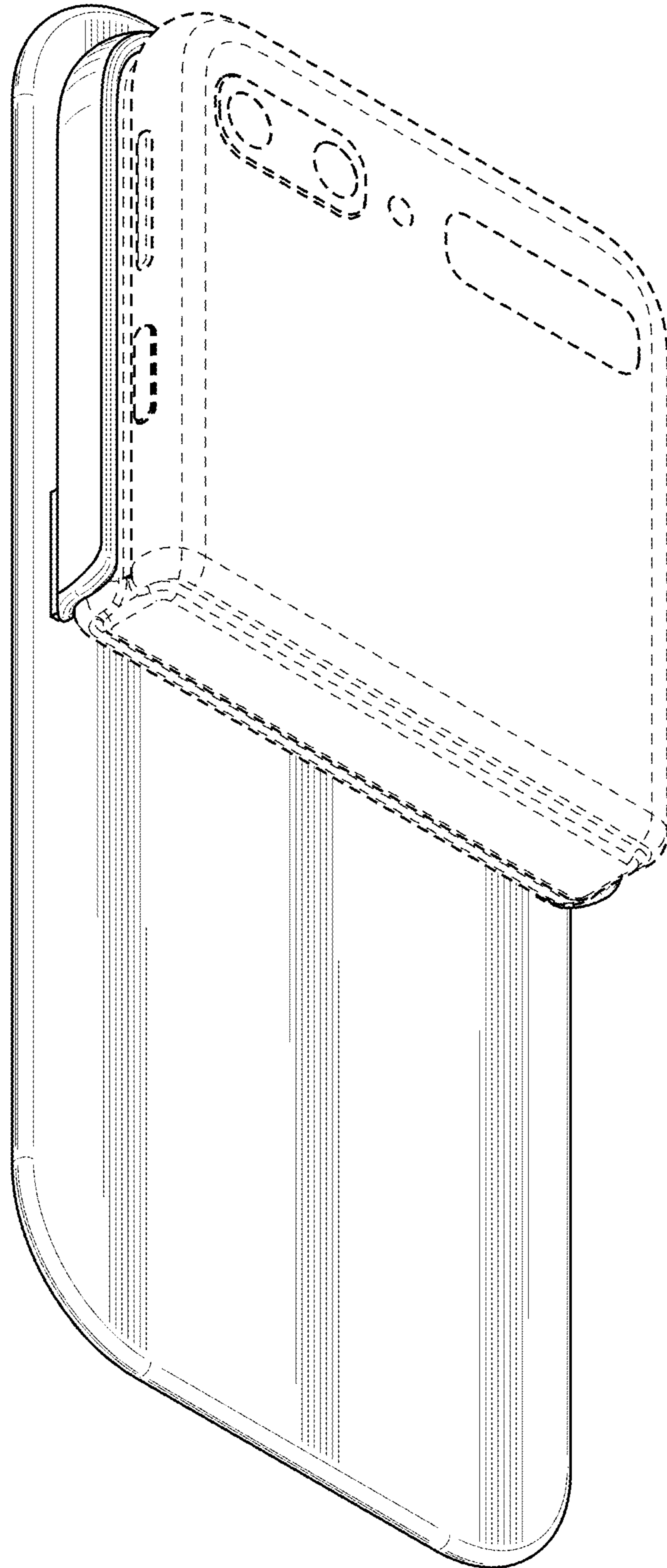


FIG. 9