



US00D932477S

(12) **United States Design Patent** (10) **Patent No.:** **US D932,477 S**
Zhou (45) **Date of Patent:** **** Oct. 5, 2021**

(54) **PROTECTIVE CASE FOR MOBILE PHONE**

(71) Applicant: **SHENZHEN XUXINGCHUANGCHEN TECHNOLOGY LIMITED COMPANY, Shenzhen (CN)**

(72) Inventor: **Xiaoxia Zhou, Baoding (CN)**

(73) Assignee: **SHENZHEN XUXINGCHUANGCHEN TECHNOLOGY LIMITED COMPANY, Shenzhen (CN)**

(**) Term: **15 Years**

(21) Appl. No.: **29/692,482**

(22) Filed: **May 24, 2019**

(51) **LOC (13) Cl.** **14-03**

(52) **U.S. Cl.**
USPC **D14/250**

(58) **Field of Classification Search**
USPC D14/203.3–203.7, 439, 251–253, 447, D14/217, 240, 238.1, 250, 440, 248; D13/107–108, 103, 119; D3/201, 218, D3/247, 249, 269, 273, 301, 303
CPC . H04B 1/3888; A45C 13/02; A45C 2011/002; A45C 1/06; A45C 11/00; A45F 2005/026; A45F 2200/0525; A45F 2200/0516; H04M 1/0283; H04M 1/0202
See application file for complete search history.

(56) **References Cited**

U.S. PATENT DOCUMENTS

- D602,894 S * 10/2009 Lepoultier D14/138 AB
- D638,828 S * 5/2011 Melanson D14/250
- D671,745 S * 12/2012 Wyner D3/301
- D681,613 S * 5/2013 Magness D14/238.1
- D683,136 S * 5/2013 Wilson D3/218
- D697,060 S * 1/2014 Yang D14/250

- D698,343 S * 1/2014 Chang D14/250
- D703,656 S * 4/2014 Witter D14/250
- D704,684 S * 5/2014 Yeh D14/248
- D704,685 S * 5/2014 Yeh D14/248
- D709,869 S * 7/2014 Witter D14/250
- D754,651 S * 4/2016 Roberts D14/250
- D771,027 S * 11/2016 Prstojevich D14/250
- D772,858 S * 11/2016 Hu D14/250
- D790,526 S * 6/2017 Babichenko D14/250
- D791,773 S * 7/2017 Moore D14/440

(Continued)

Primary Examiner — Carla J Wright

(74) *Attorney, Agent, or Firm* — Li & Cai Intellectual Property (USA) Office

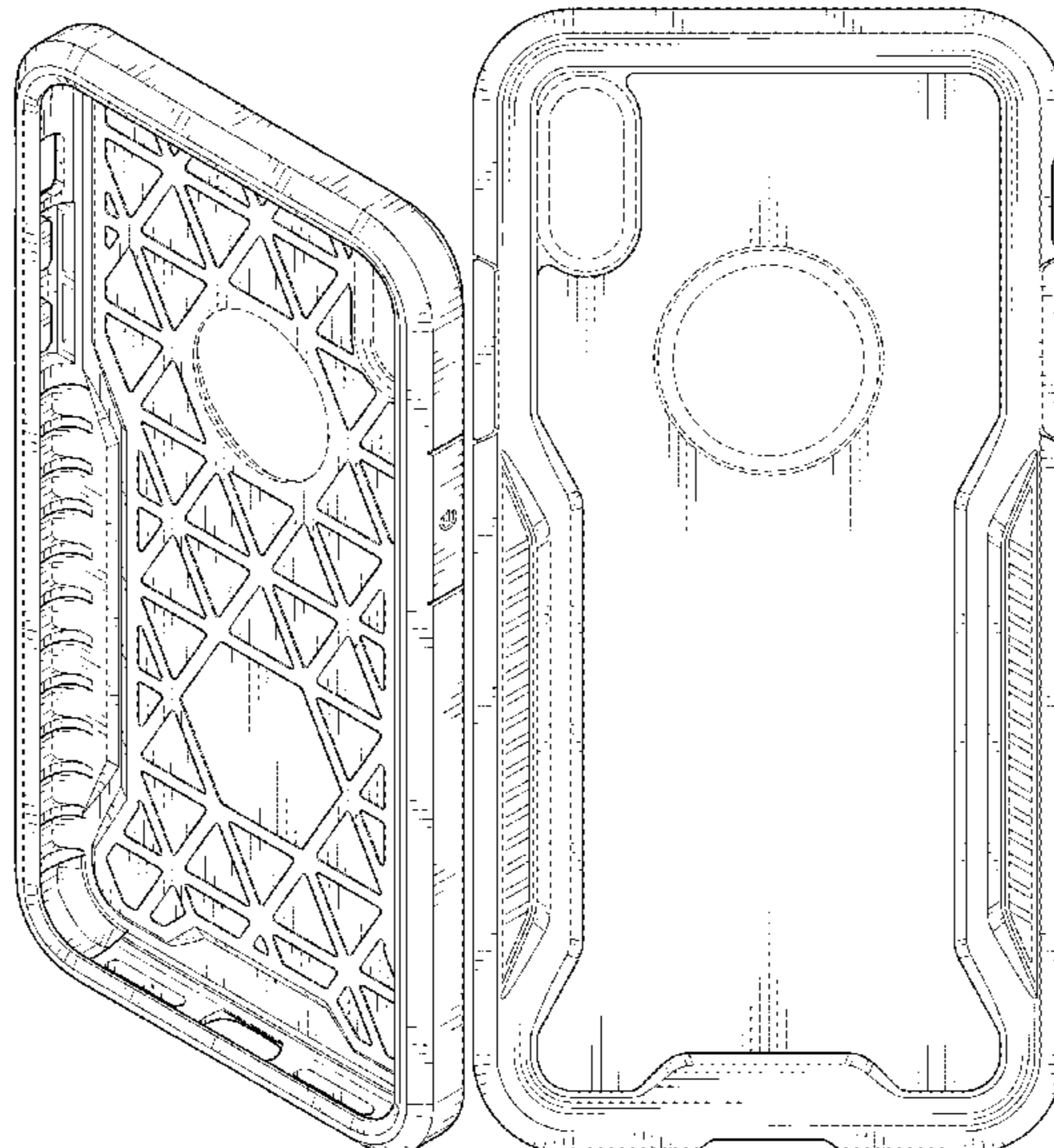
(57) **CLAIM**

The ornamental design for a protective case for mobile phone, as shown and described.

DESCRIPTION

FIG. 1 is a front, right and top perspective view of a protective case for mobile phone showing my new design; FIG. 2 is a front elevational view thereof; FIG. 3 is a rear elevational view thereof; FIG. 4 is a left side elevational view thereof; FIG. 5 is a right side elevational view thereof; FIG. 6 is a top plan view thereof; FIG. 7 is a bottom plan view thereof; FIG. 8 is a rear, left and bottom perspective view thereof; and, FIG. 9 is an enlarged front, left-side, and bottom perspective view of an upper corner portion of the protective case. The dot-dash broken line in FIG. 9 delineates a portion of the protective case for mobile phone, including claimed subject matter, that is shown on an enlarged scale in this drawing view. The dashed broken lines throughout the drawing figures depict portions of the protective case for mobile phone, in which the design is embodied, that form no part of the claimed design.

1 Claim, 7 Drawing Sheets



(56)

References Cited

U.S. PATENT DOCUMENTS

D798,854 S *	10/2017	Babichenko	D14/250
D811,410 S *	2/2018	Burmester	D14/440
D841,639 S *	2/2019	Liao	D14/250
D841,640 S *	2/2019	Huang	D14/250
D843,363 S *	3/2019	Yan	D14/250
D845,290 S *	4/2019	Brubaker	D14/250
D848,995 S *	5/2019	Zhu	D14/250
D877,728 S *	3/2020	Kim	D14/250
D892,101 S *	8/2020	Kim	D14/250
2015/0195938 A1 *	7/2015	Witter	G06F 1/1656 206/521

* cited by examiner

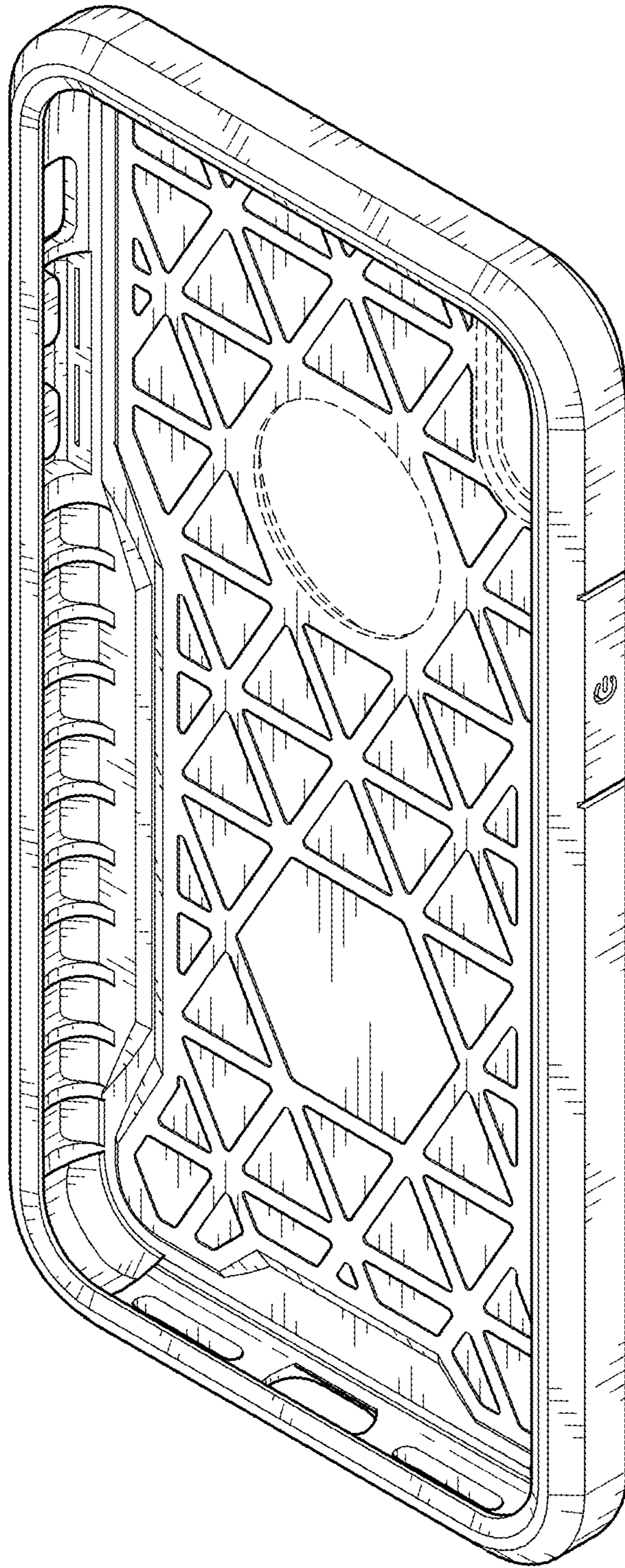


FIG. 1

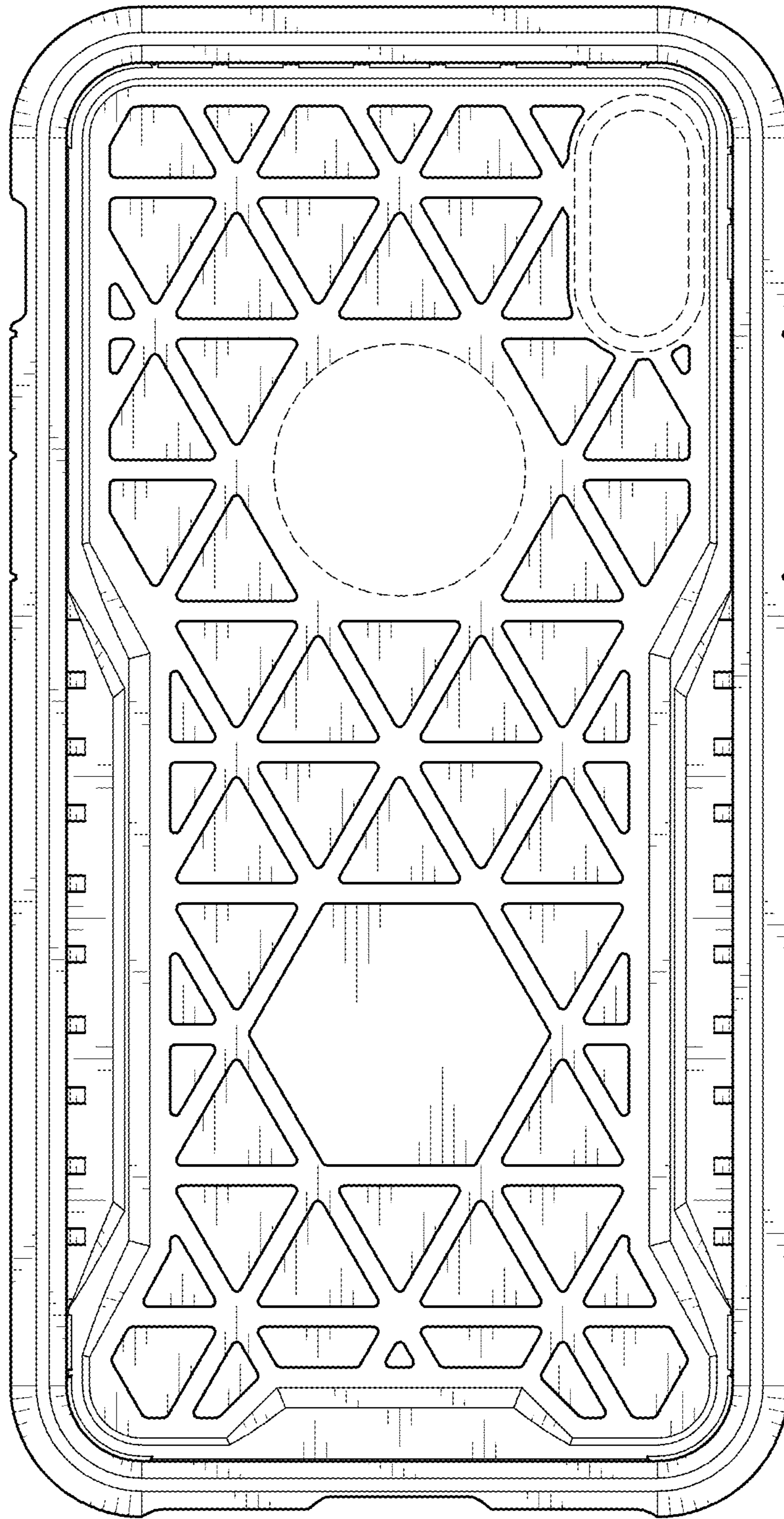


FIG. 2

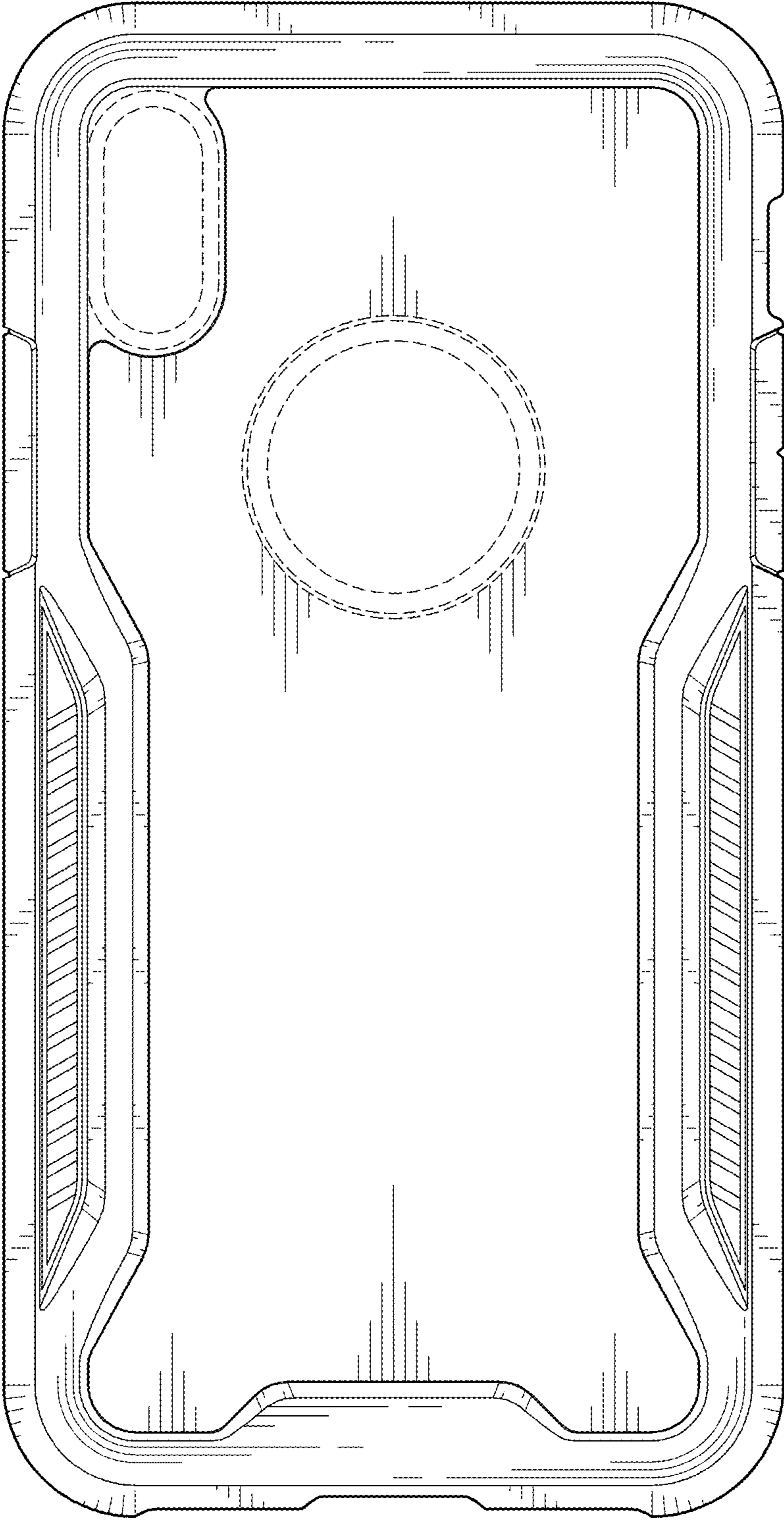


FIG. 3

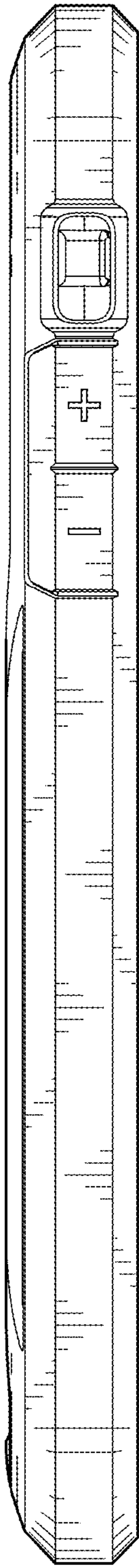


FIG. 4

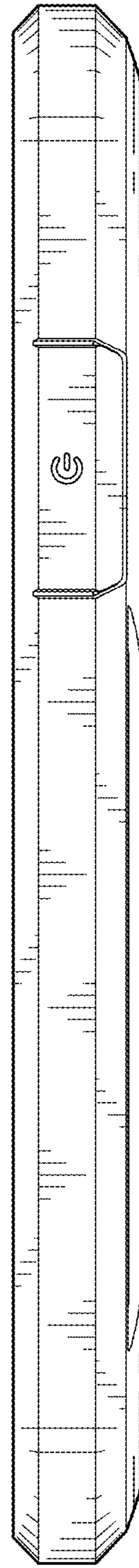


FIG. 5

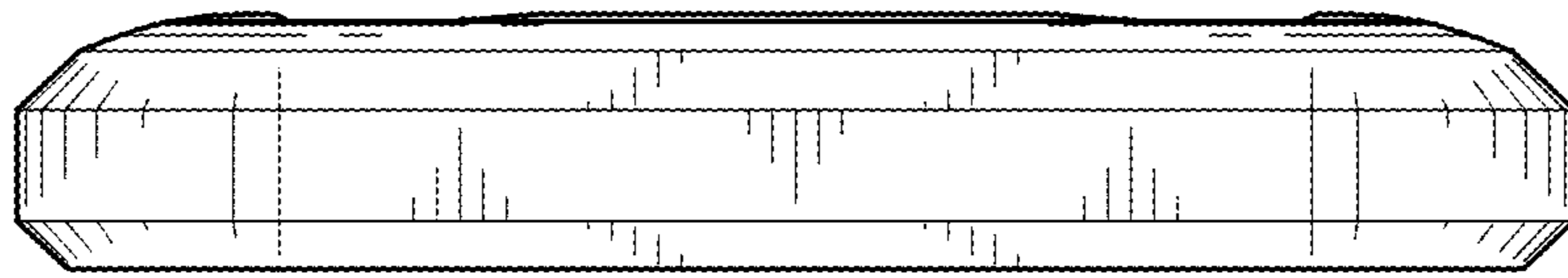


FIG. 6

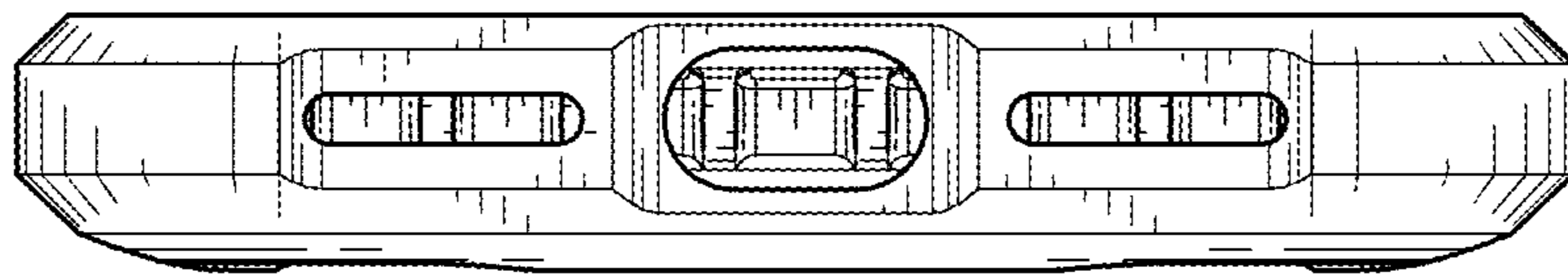


FIG. 7

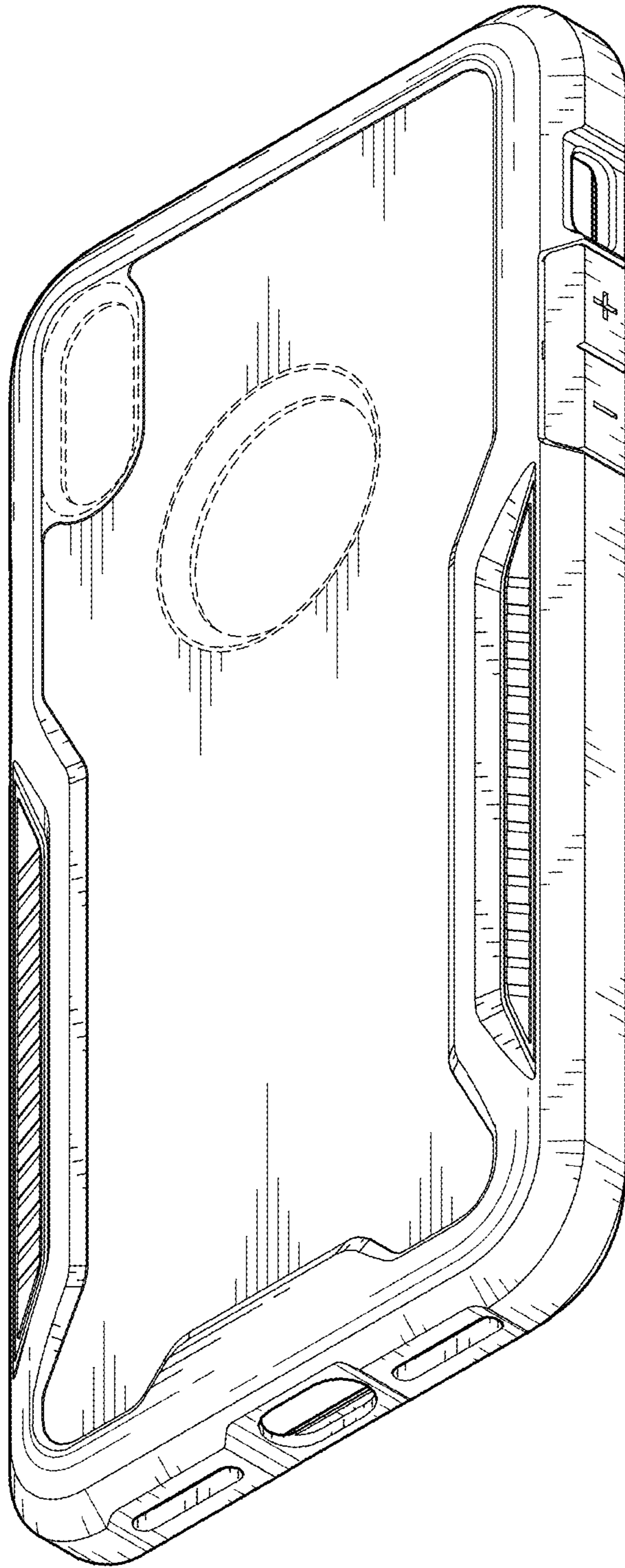


FIG. 8

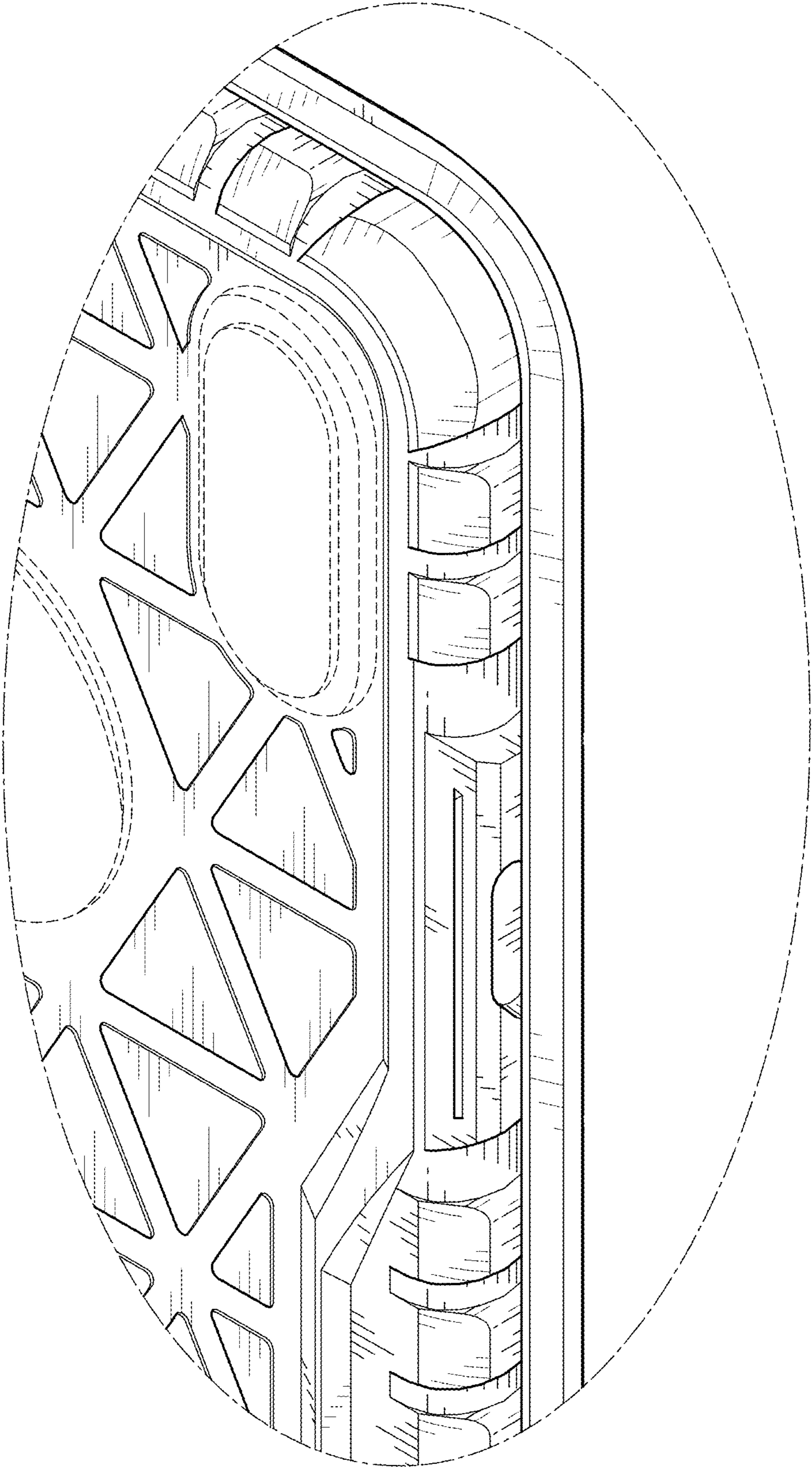


FIG. 9