



US00D932475S

(12) **United States Design Patent** (10) **Patent No.:** **US D932,475 S**
Jia (45) **Date of Patent:** **** Oct. 5, 2021**

(54) **DISPLAY MOUNT**

(71) Applicant: **SHENZHEN BESTQI INNOVATION TECHNOLOGY CO., LTD**, Shenzhen (CN)

(72) Inventor: **Daqiang Jia**, Shenzhen (CN)

(73) Assignee: **SHENZHEN BESTQI INNOVATION TECHNOLOGY CO., LTD**, Shenzhen (CN)

(**) Term: **15 Years**

(21) Appl. No.: **29/756,496**

(22) Filed: **Oct. 29, 2020**

(51) **LOC (13) Cl.** **14-03**

(52) **U.S. Cl.**
USPC **D14/239**

(58) **Field of Classification Search**
USPC D14/239, 371, 372, 373, 374, 375, 376, D14/377, 447-452, 125, 127, 128, 129, D14/335-337, 341, 126; D8/355, 363, D8/373; D6/672, 682

CPC F16M 11/2085; F16M 11/2092; F16M 11/2007; F16M 11/2014; F16M 11/2021; F16M 11/105; F16M 11/048; F16M 11/12; F16M 13/022; F16M 11/10

See application file for complete search history.

(56) **References Cited**

U.S. PATENT DOCUMENTS

D512,855 S	*	12/2005	Bryson	D14/239
D640,123 S	*	6/2011	Stearns	D8/355
D680,106 S	*	4/2013	Hwangbo	D14/239
D699,713 S	*	2/2014	Seong	D14/239
D742,364 S	*	11/2015	Reinhertz	D14/239
D744,462 S	*	12/2015	Shin	D14/239
D744,970 S	*	12/2015	Kim	D14/126
D788,783 S		6/2017	Kulkarni et al.		
D795,851 S	*	8/2017	Kim	D14/239
D795,852 S	*	8/2017	Park	D14/239

D816,466 S	*	5/2018	Gomez	D8/363
D821,371 S	*	6/2018	Heckler	D14/239
D865,699 S	*	11/2019	Kim	D14/126
D870,537 S	*	12/2019	Mundis	D8/363
D872,067 S		1/2020	Knapp		

FOREIGN PATENT DOCUMENTS

CN	300775839	*	5/2008
CN	303012118	*	11/2014
CN	305402402	*	10/2019

OTHER PUBLICATIONS

Amazon. Link: https://www.amazon.com/dp/B08LNSJMXR/ref=cm_sw_em_r_mt_dp_WTEZZQ8QCHHSXKVCZPZQ?_encoding=UTF8&psc=1. Oct. 22, 2020. STEELGEAR Universal TV Stand. (Year: 2020).*

Amazon. Link: https://www.amazon.com/dp/B07YN7VRK8/ref=cm_sw_em_r_mt_dp_NPSQE3ZY4AW0E5TY2S2Y. Oct. 2, 2019. Echogear Universal Large TV Stand. (Year: 2019).*

* cited by examiner

Primary Examiner — Lauren D McVey

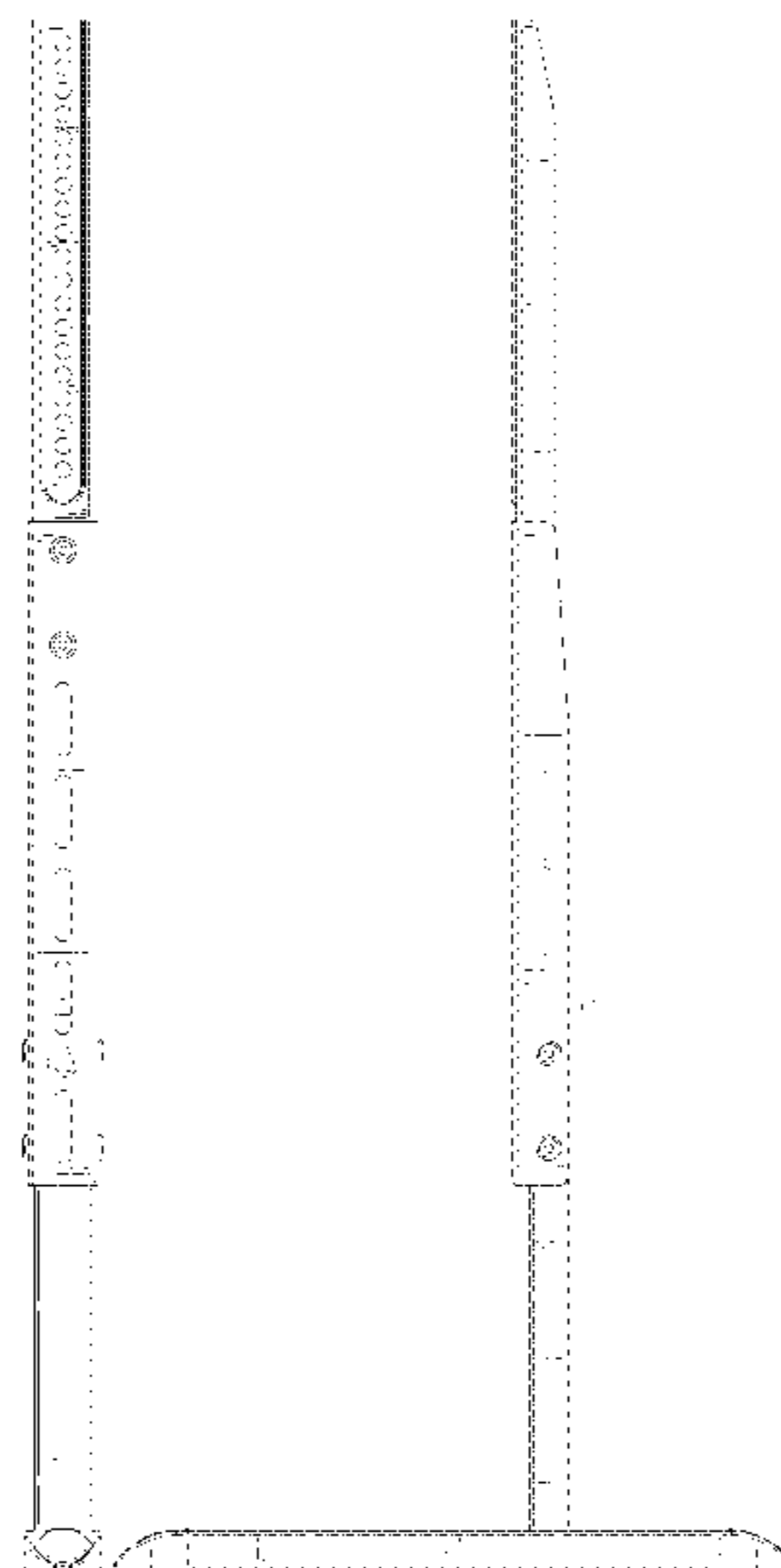
(57) **CLAIM**

The ornamental design for a display mount, as shown and described.

DESCRIPTION

FIG. 1 is a perspective view of a display mount showing my new design;
FIG. 2 is another perspective view thereof;
FIG. 3 is a front elevational view thereof;
FIG. 4 is a rear elevational view thereof;
FIG. 5 is a left side elevational view thereof;
FIG. 6 is a right side elevational view thereof;
FIG. 7 is a top plan view thereof; and,
FIG. 8 is a bottom plan view thereof.
The broken lines in the drawings depict portions of the display mount that form no part of the claimed design.

1 Claim, 8 Drawing Sheets



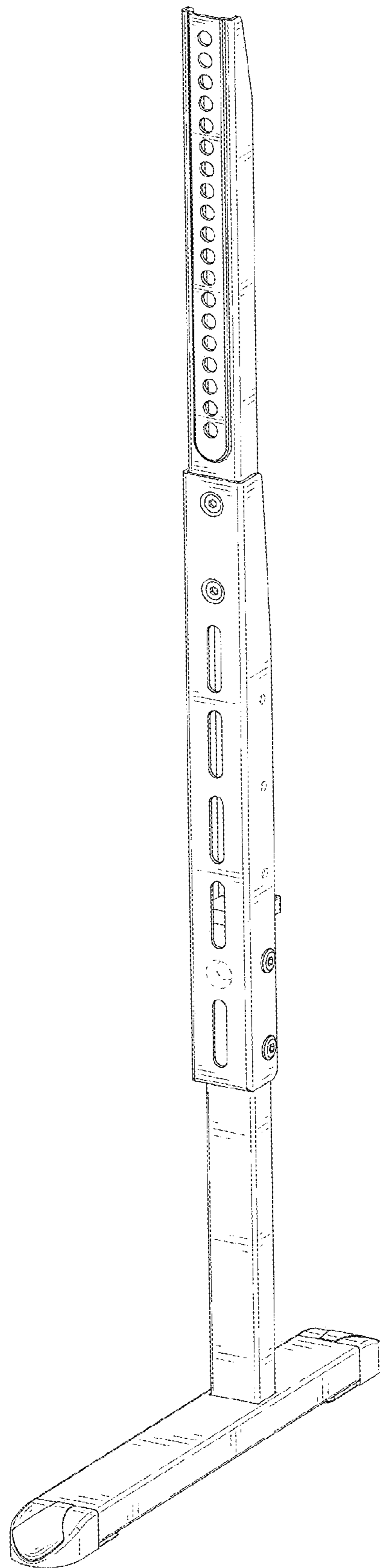


FIG. 1

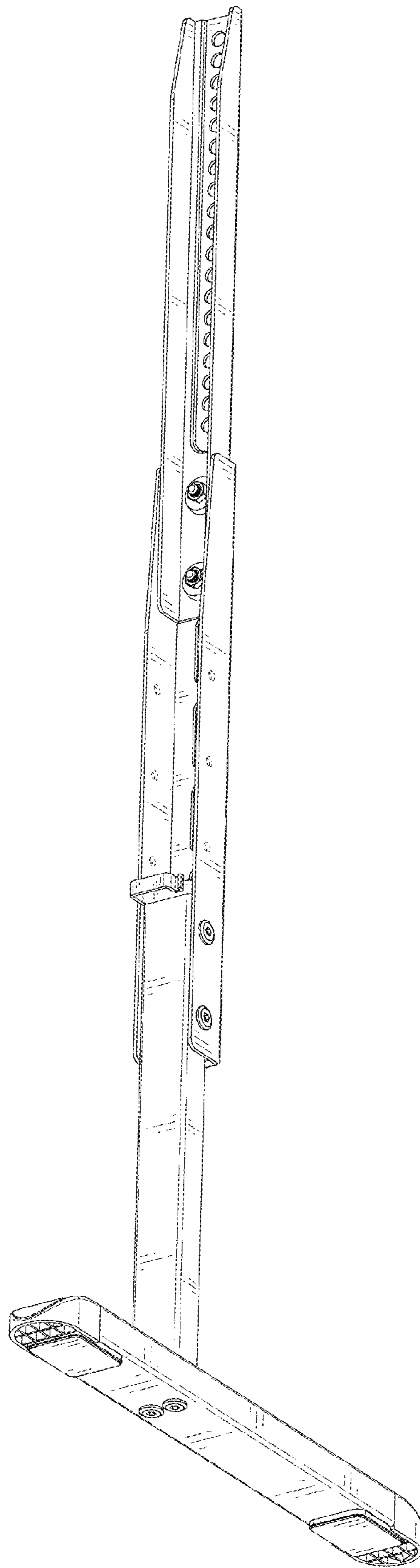


FIG. 2

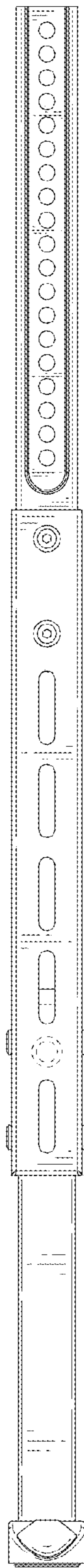


FIG. 3

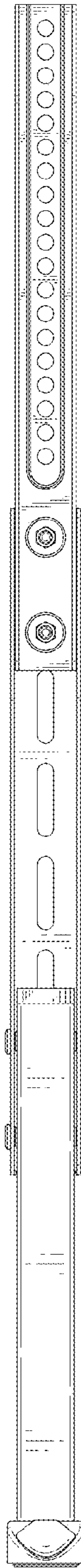


FIG. 4

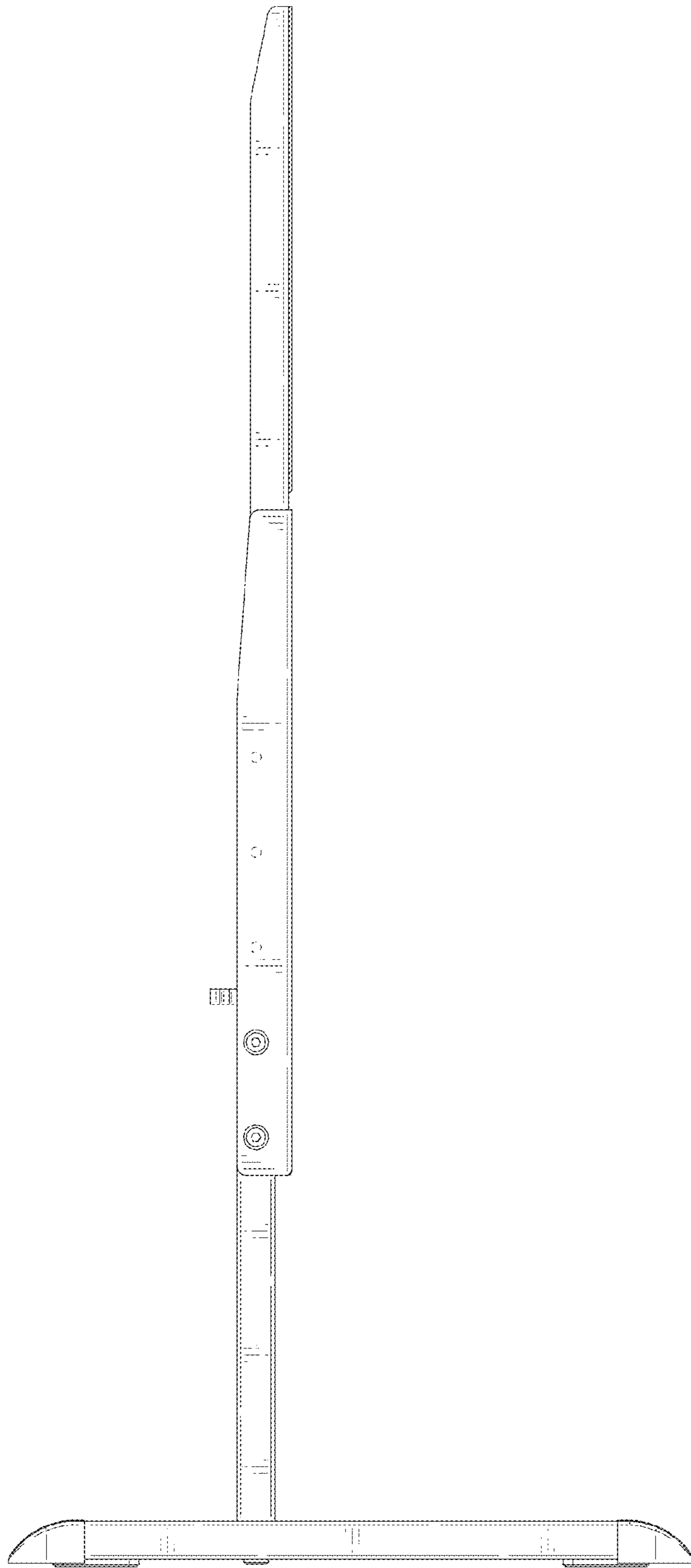


FIG. 5

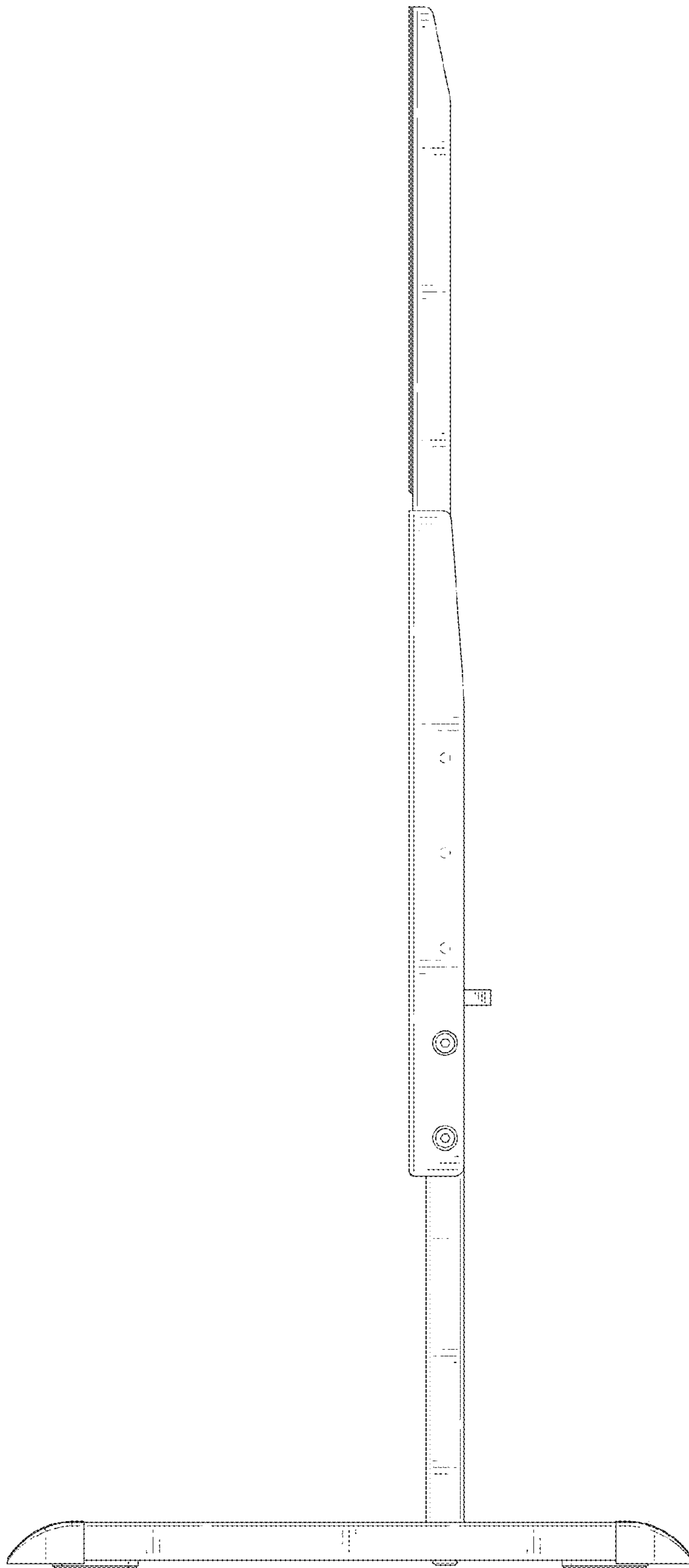


FIG. 6

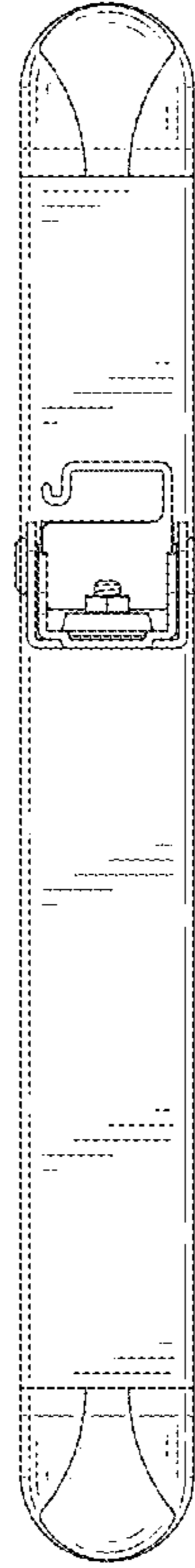


FIG. 7

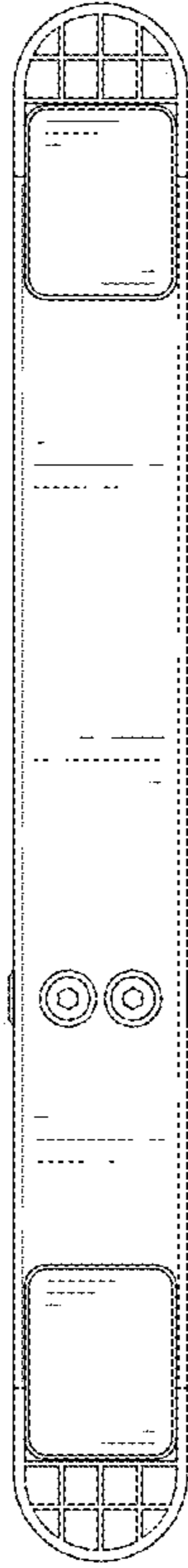


FIG. 8