



US00D932474S

(12) **United States Design Patent** (10) **Patent No.:** **US D932,474 S**
Cohen (45) **Date of Patent:** **** Oct. 5, 2021**

(54) **SHELF UNIT FOR TELEVISION WALL-MOUNT**

(71) Applicant: **CJ Global Inc.**, Fair Lawn, NJ (US)

(72) Inventor: **Coby Cohen**, Fair Lawn, NJ (US)

(73) Assignee: **CJ GLOBAL INC.**, Fair Lawn, NJ (US)

(**) Term: **15 Years**

(21) Appl. No.: **29/675,293**

(22) Filed: **Dec. 31, 2018**

(51) **LOC (13) Cl.** **14-03**

(52) **U.S. Cl.**
USPC **D14/239**

(58) **Field of Classification Search**

USPC D14/239, 371, 372, 373, 374, 447-452,
D14/125, 127, 128, 129, 335-337, 375,
D14/376, 377, 341, 126; D8/355, 363,
D8/373; D6/672, 682

CPC F16M 11/2085; F16M 11/2092; F16M
11/2007; F16M 11/2014; F16M 11/2021;
F16M 11/105; F16M 11/10; F16M
11/048; F16M 11/12; F16M 13/022

See application file for complete search history.

(56) **References Cited**

U.S. PATENT DOCUMENTS

6,938,869 B2 * 9/2005 Lin F16M 11/28
248/161
D549,232 S * 8/2007 Li D14/434
D560,411 S * 1/2008 Chung D6/567
D603,386 S * 11/2009 Le D14/239
7,823,847 B2 * 11/2010 Bremmon F16M 13/02
248/201

(Continued)

FOREIGN PATENT DOCUMENTS

CN 305781447 * 5/2020
GB 6063371 * 6/2019

(Continued)

OTHER PUBLICATIONS

Walmart. Link: <https://www.walmart.com/ip/VIVO-Black-32-to-55-Flat-Screen-TV-Wall-Mount-Fixed-Tilt-Entertainment-Shelf-Floating-AV-DVD-Shelves-MOUNT-VW11/269286513>. Visited Mar. 15, 2021. VIVO Black 32" to 55" Flat Screen TV Wall Mount. (Year: 2021).*

(Continued)

Primary Examiner — Lauren D McVey

(74) *Attorney, Agent, or Firm* — Leason Ellis LLP

(57) **CLAIM**

The ornamental design for a shelf unit for television wall-mount, as shown and described.

DESCRIPTION

FIG. 1 is a front-left perspective view of a shelf unit for television wall-mount showing to my new design shown in an environment;

FIG. 2 is a right side elevation view of the shelf unit for television wall-mount;

FIG. 3 is a left side elevation view thereof;

FIG. 4 is a front side elevation view thereof;

FIG. 5 is a rear side elevation view thereof;

FIG. 6 is a top plan view thereof;

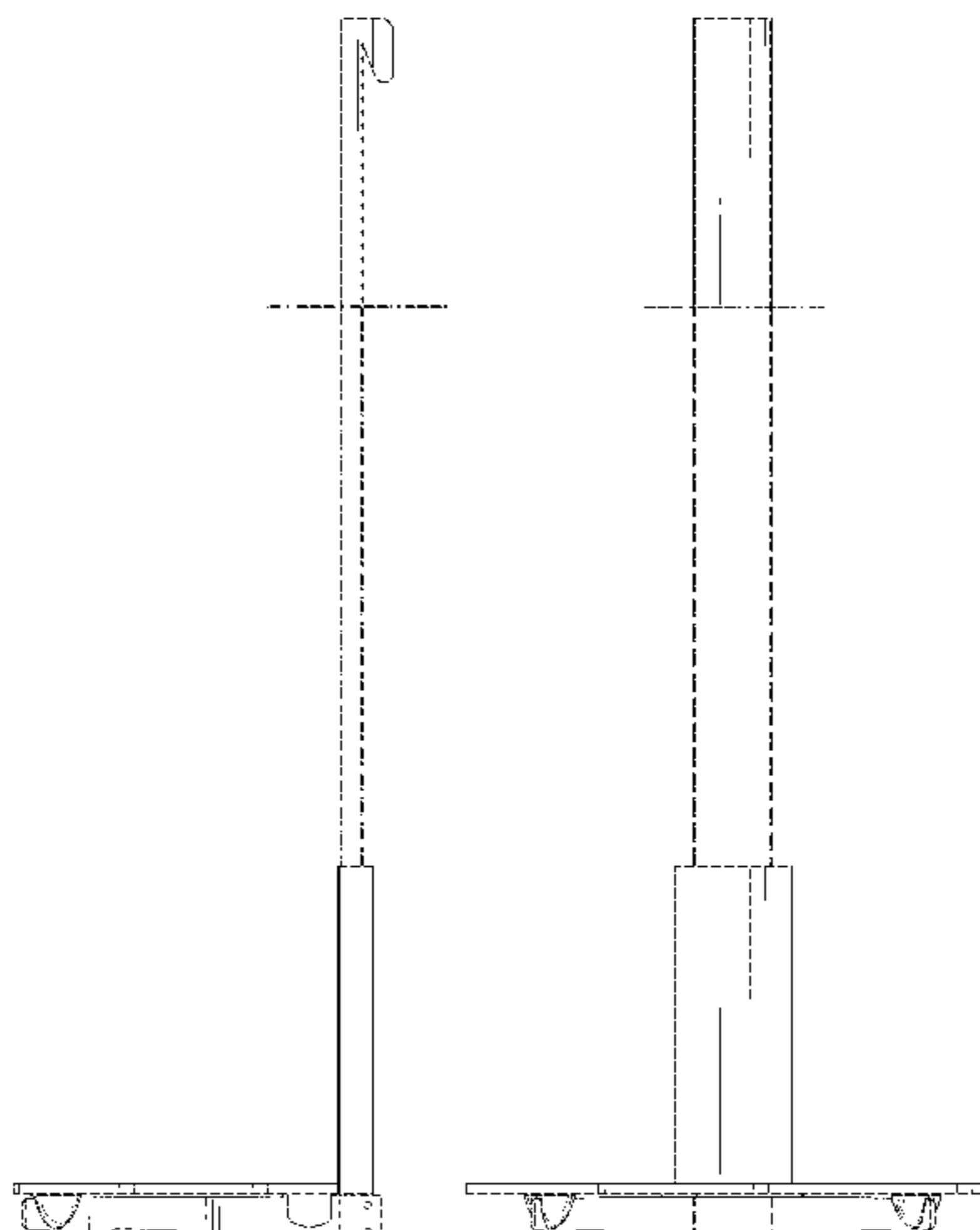
FIG. 7 is a bottom plan view thereof; and,

FIG. 8 is a perspective view of the bottom portion of the shelf unit for television wall-mount shown separately to show aspects of the design that may not be apparent in the other views.

The dash-dash broken lines illustrate environmental structure and form no part of the claimed design.

The dash-dot-dash break line, and the dash-dash broken lines immediately adjacent to the shaded areas in FIG. 8, depict boundaries between claimed features and non-claimed features of the design.

1 Claim, 5 Drawing Sheets



(56)

References Cited

U.S. PATENT DOCUMENTS

8,016,252 B2 * 9/2011 Su F16M 11/28
248/157
8,958,200 B2 * 2/2015 Bremmon F16M 13/02
361/679.02
D836,091 S * 12/2018 Shu D14/239
D841,014 S * 2/2019 Laudadlo D14/447
D853,403 S * 7/2019 Lyu D14/451
D853,404 S * 7/2019 Bowman D14/452
D877,743 S * 3/2020 Pei D14/451
D902,218 S * 11/2020 Lee D14/451

FOREIGN PATENT DOCUMENTS

JP D1166654 * 3/2003
JP D1341510 * 10/2008

OTHER PUBLICATIONS

Amazon. Link: https://www.amazon.com/dp/B01N5174Z6/ref=cm_sw_em_r_mt_dp_DP3J5H1VPHNHHP5PEV6S. Jun. 12, 2017.
PERLESMITH Floating Wall Mount Shelf. (Year: 2017).*

* cited by examiner

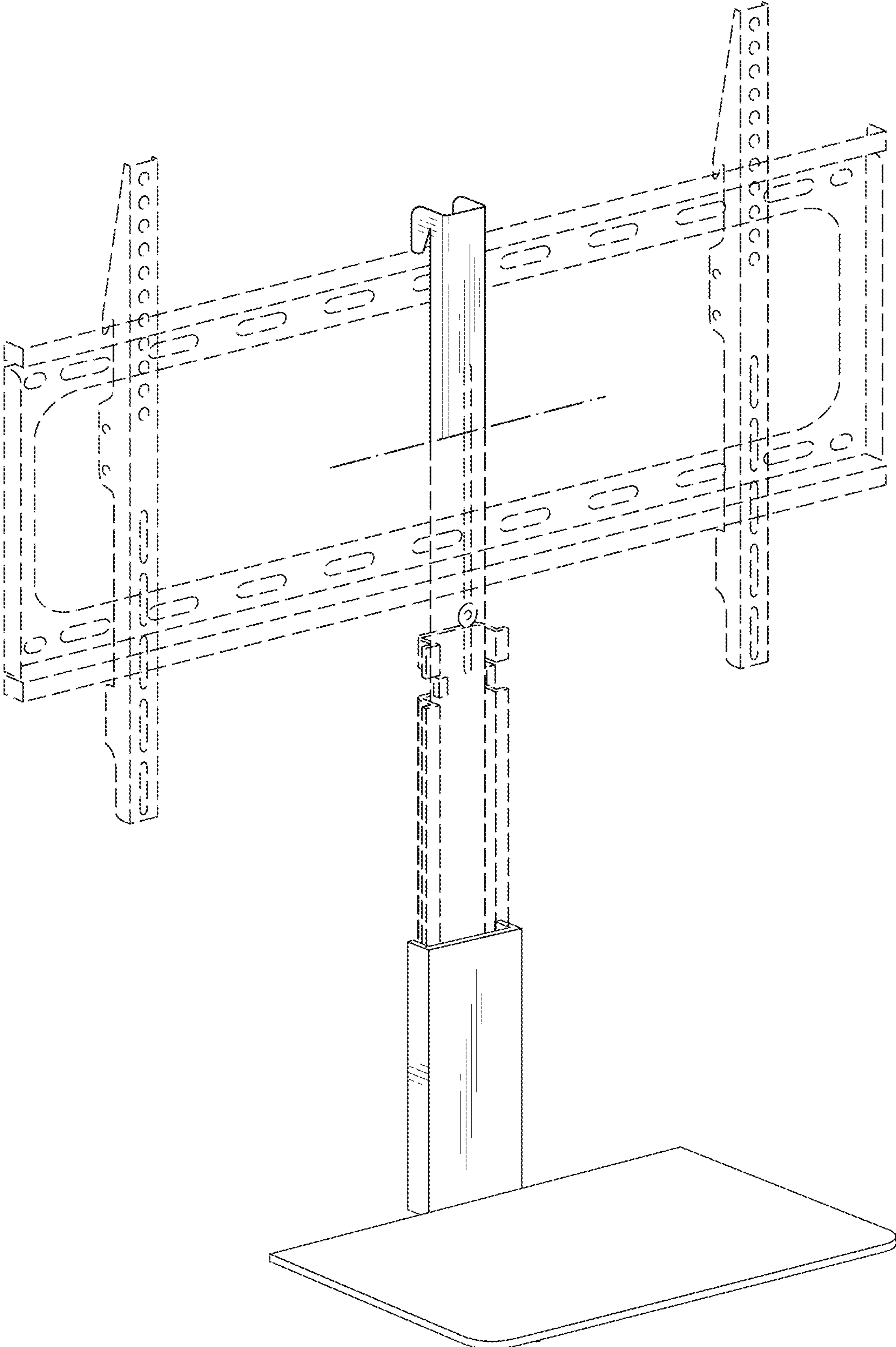


Fig. 1

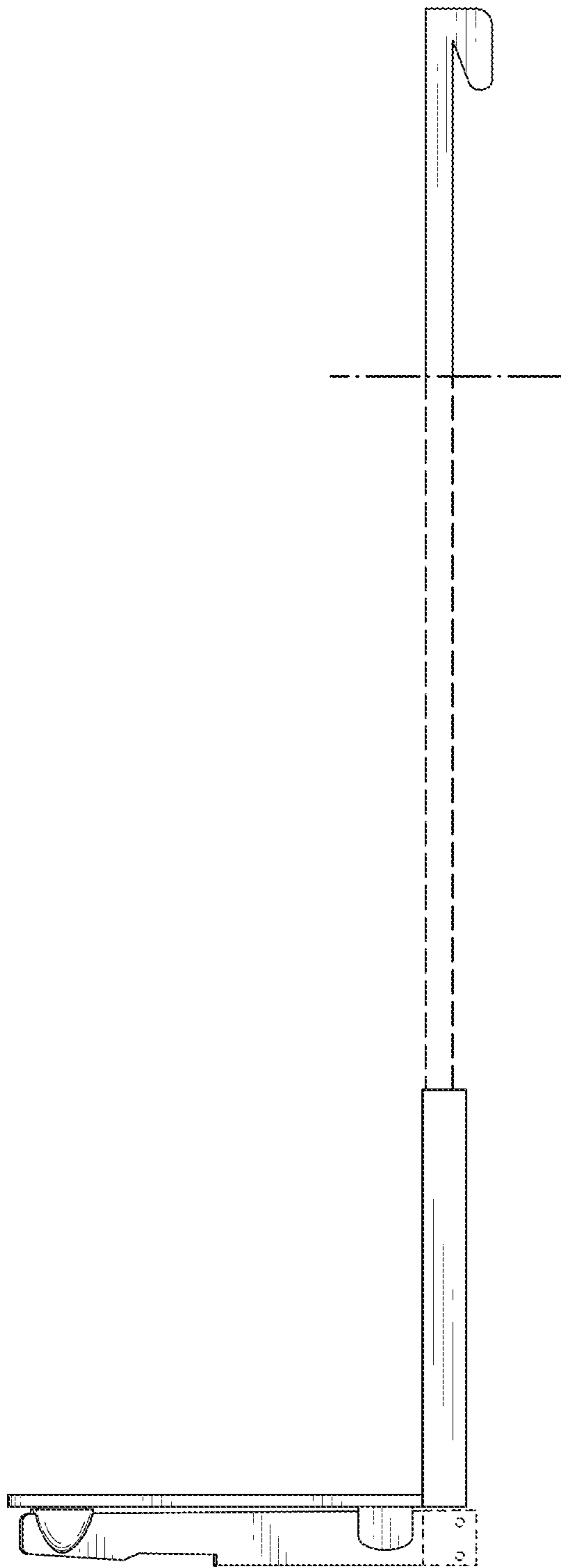


Fig. 2

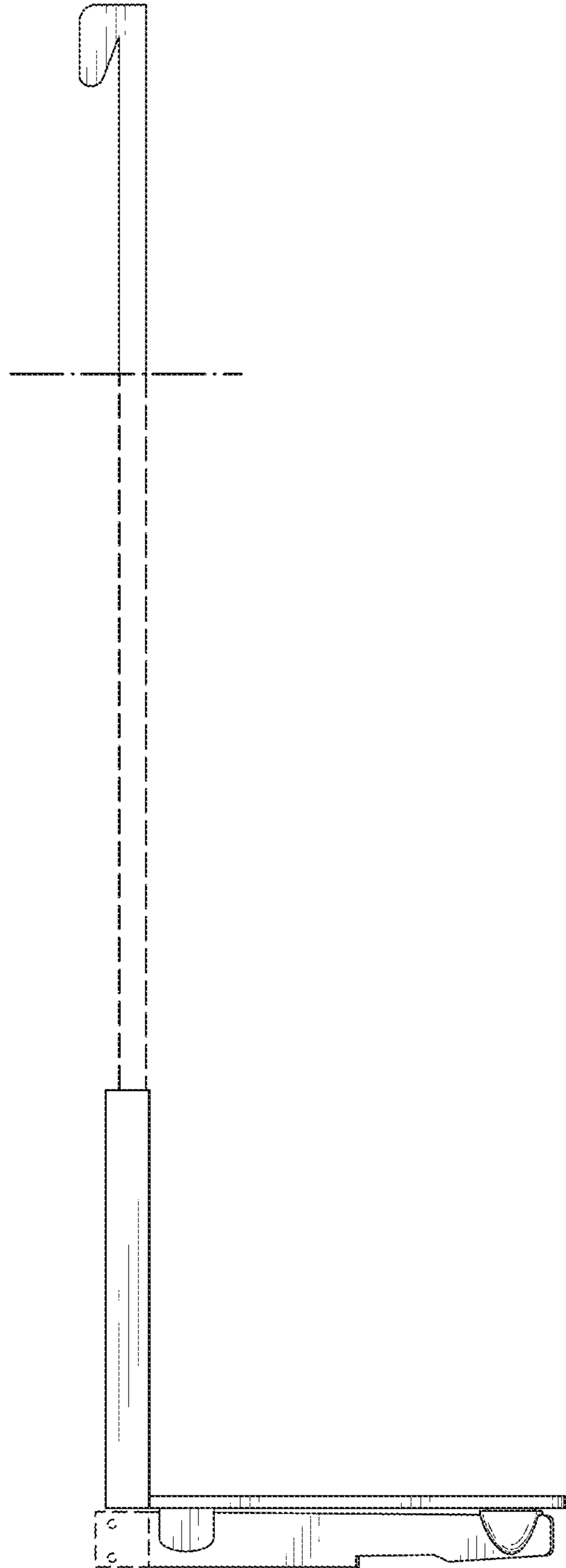


Fig. 3

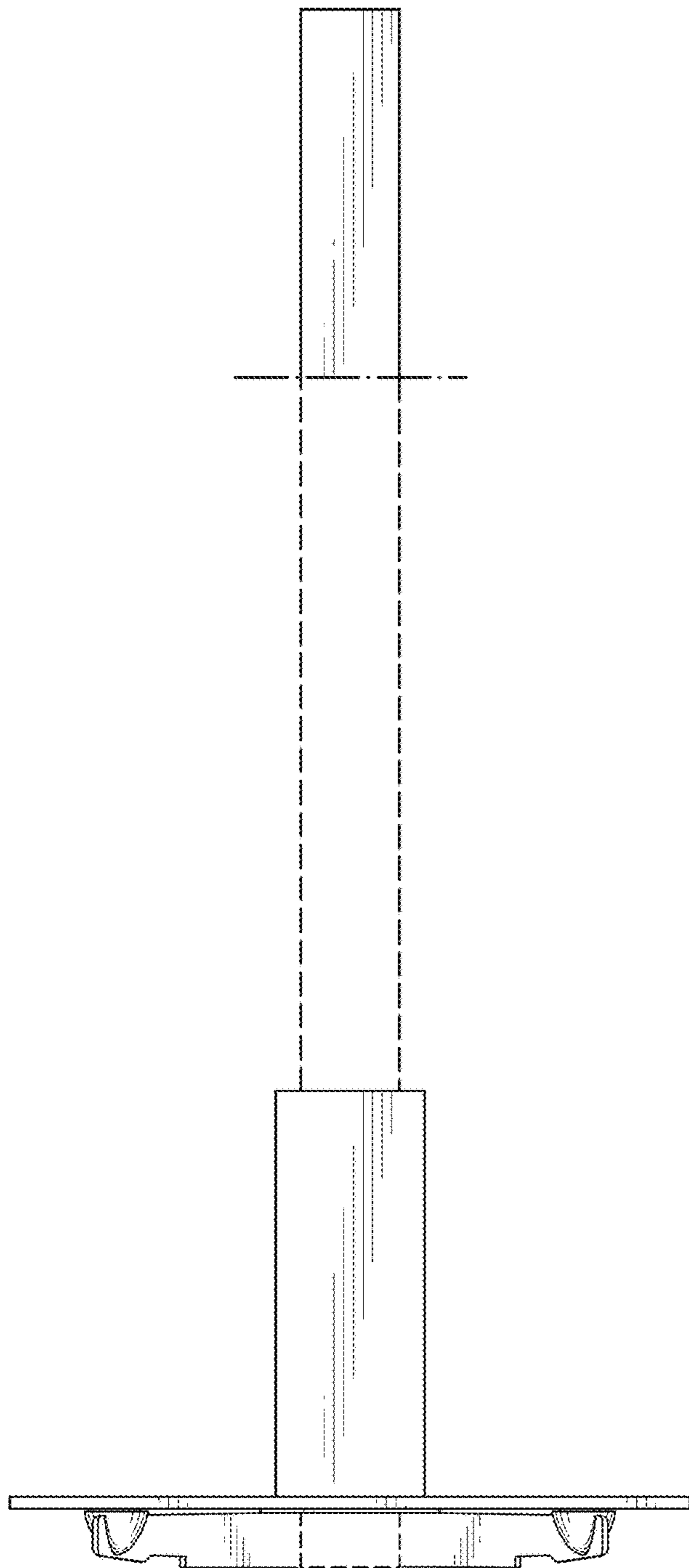


Fig. 4

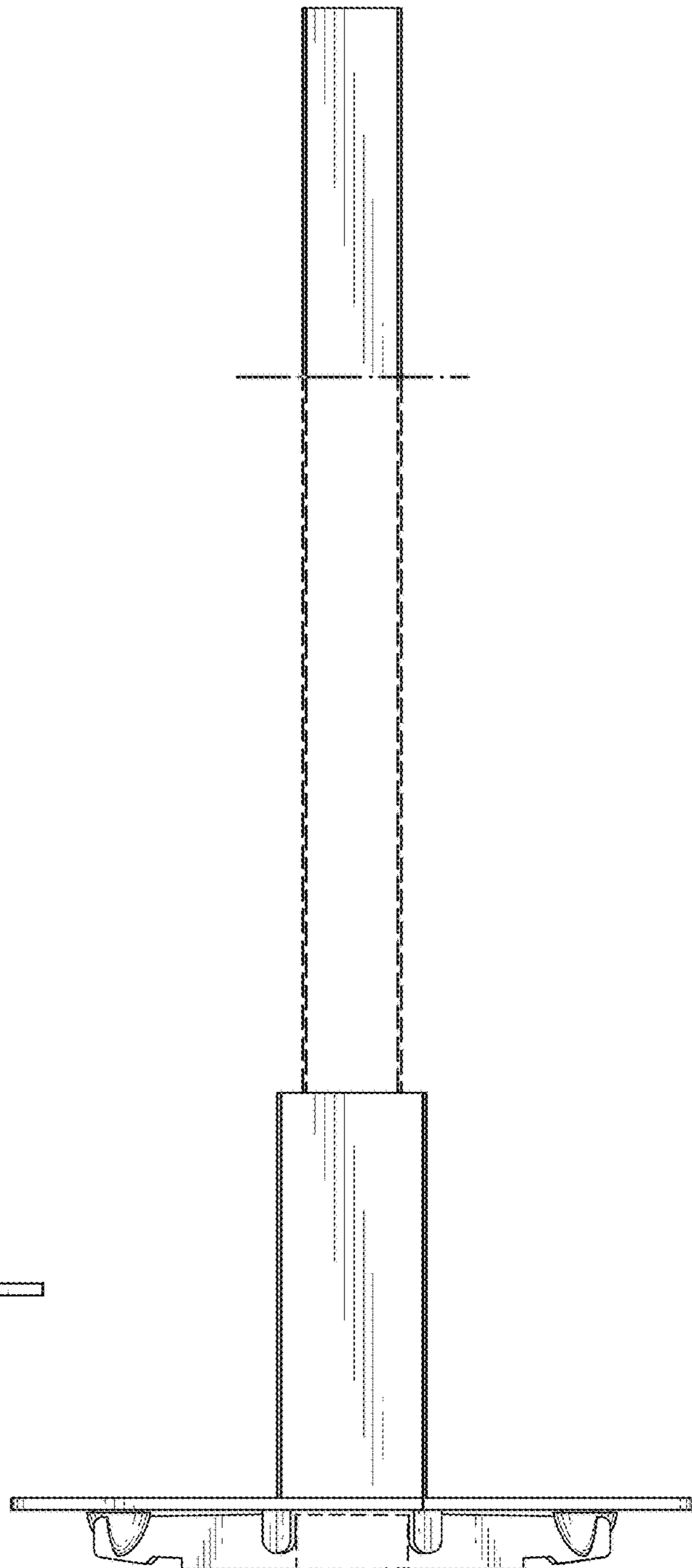


Fig. 5

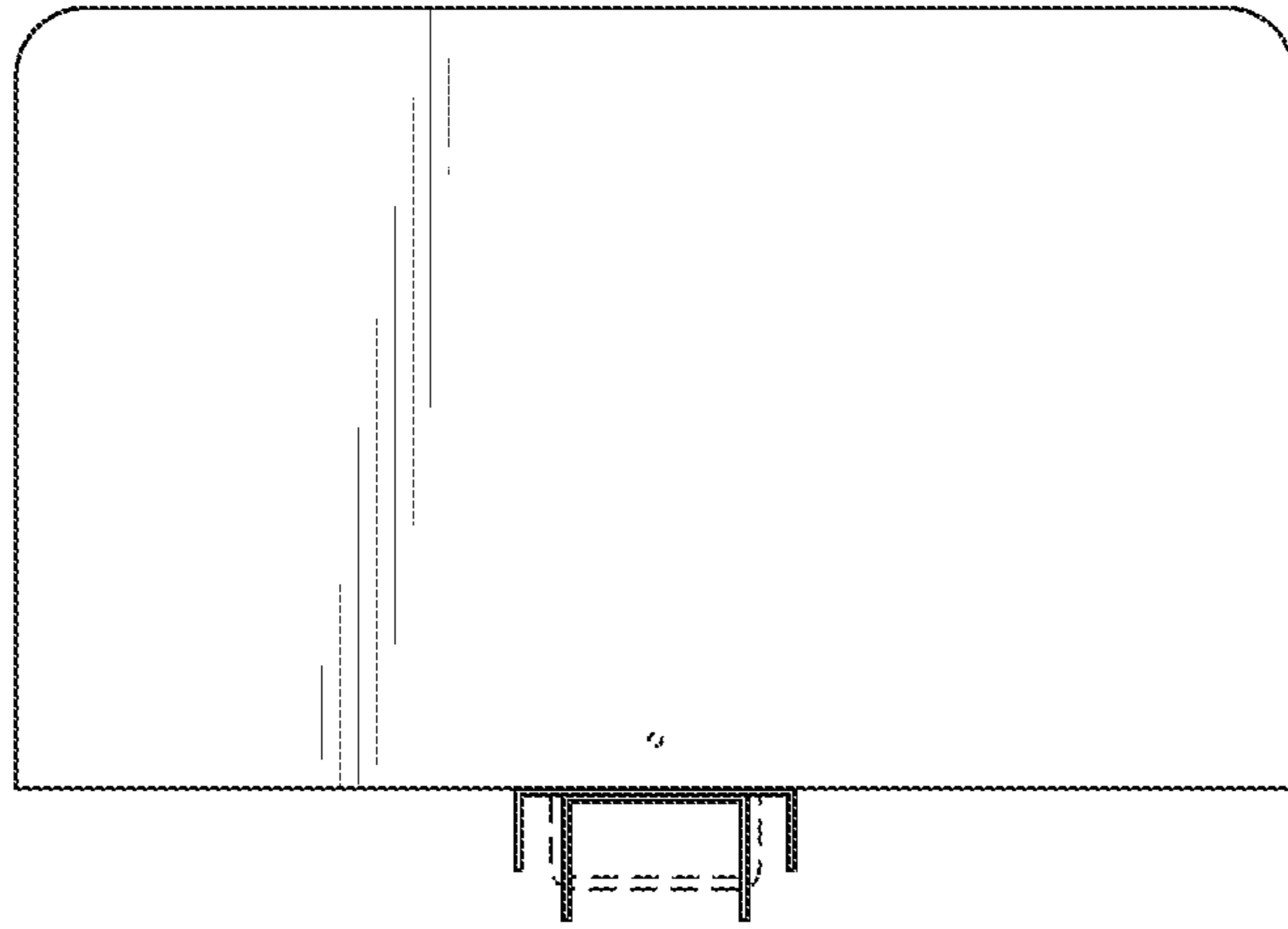


Fig. 6

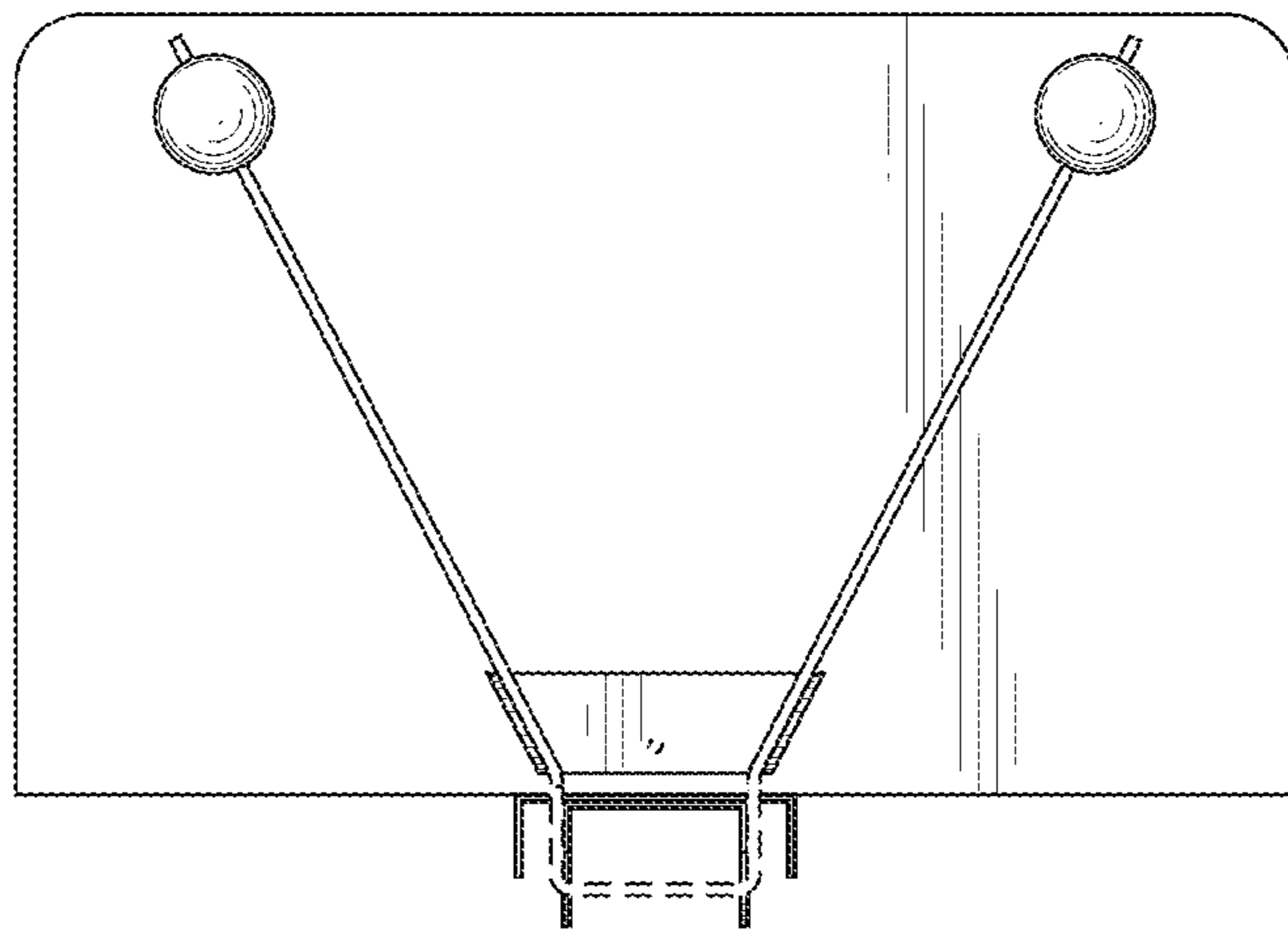


Fig. 7

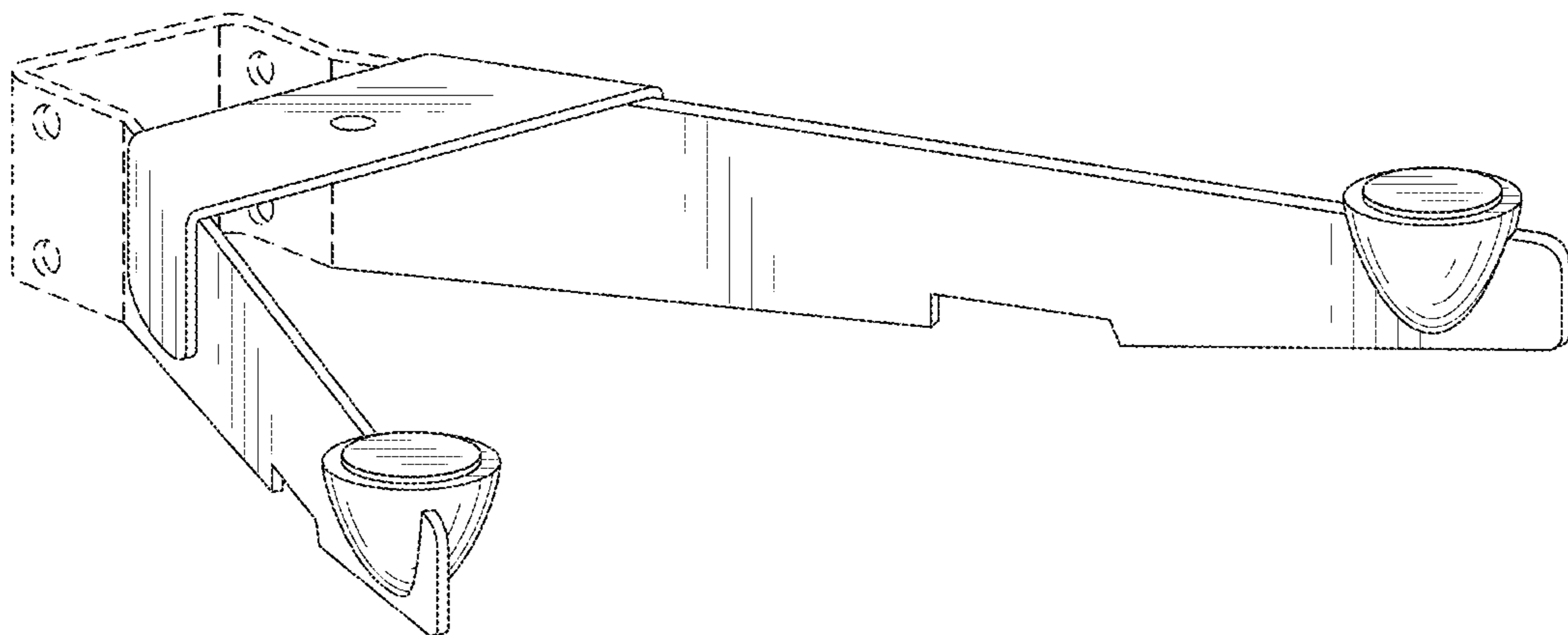


Fig. 8