



US00D932473S

(12) **United States Design Patent**
VanDuyn

(10) **Patent No.:** **US D932,473 S**

(45) **Date of Patent:** **** Oct. 5, 2021**

(54) **ANTENNA**

(71) Applicant: **DISH Network L.L.C.**, Englewood,
CO (US)

(72) Inventor: **Luke VanDuyn**, Conifer, CO (US)

(73) Assignee: **DISH Network L.L.C.**, Englewood,
CO (US)

(**) Term: **15 Years**

(21) Appl. No.: **29/706,167**

(22) Filed: **Sep. 18, 2019**

(51) **LOC (13) Cl.** **14-03**

(52) **U.S. Cl.**
USPC **D14/230; D14/231**

(58) **Field of Classification Search**
USPC D14/138, 230-238, 299, 358; D12/42,
D12/43

CPC H01Q 7/00; H01Q 13/10; H01Q 9/285;
H01Q 19/30; H01Q 19/12; H01Q 1/38;
H01Q 1/36; H01Q 2/0027; H01Q 1/48;
H01Q 9/045; H01Q 1/243; H04B 1/0475;
H04B 1/034; H05K 11/00

See application file for complete search history.

(56) **References Cited**

U.S. PATENT DOCUMENTS

D287,588 S * 1/1987 Ulch D14/231
D559,838 S * 1/2008 Yuba D14/230
D573,591 S * 7/2008 Fu D14/230

D643,025 S * 8/2011 Podduturi D14/230
D696,231 S * 12/2013 Konishi D14/230
D710,834 S * 8/2014 Jeon D14/230
D718,749 S * 12/2014 Huang D14/230
D775,110 S * 12/2016 Tsen D14/230
D862,426 S * 10/2019 Benedetti D14/230
D902,190 S * 11/2020 Yang D14/230
2003/0107520 A1 * 6/2003 Terk H01Q 1/1285
343/713

* cited by examiner

Primary Examiner — John Windmuller

(74) *Attorney, Agent, or Firm* — Kilpatrick Townsend &
Stockton LLP

(57) **CLAIM**

The ornamental design for an antenna, as shown and
described.

DESCRIPTION

FIG. 1 is a front elevation view of an antenna, showing my
new design;

FIG. 2 is a left elevation view thereof;

FIG. 3 is a right elevation view thereof;

FIG. 4 is a rear elevation view thereof;

FIG. 5 is a top plan view thereof;

FIG. 6 is a bottom plan view thereof;

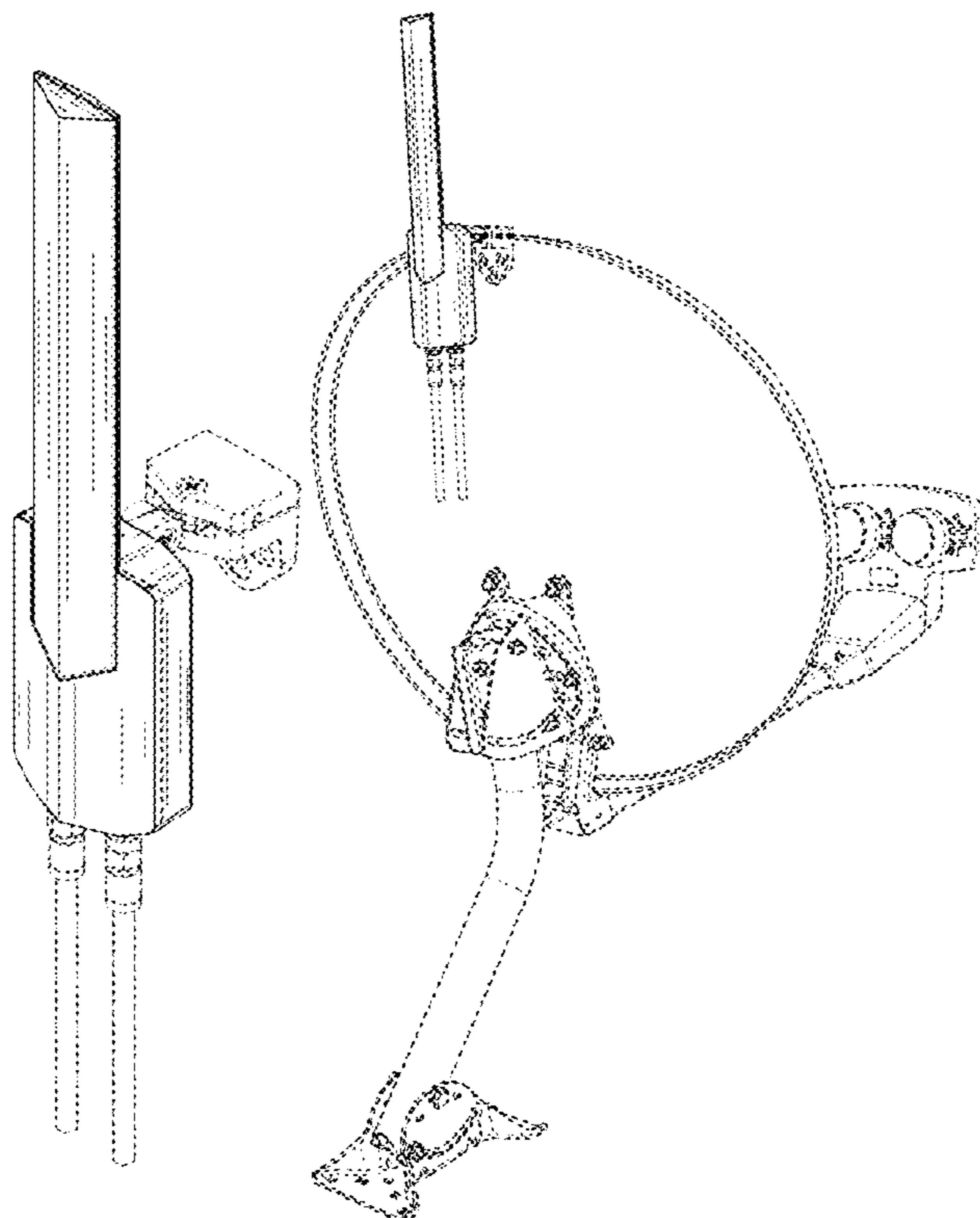
FIG. 7 is a front angled view thereof;

FIG. 8 is a rear angled view thereof; and,

FIG. 9 is a front angled view of the antenna attached with a
satellite antenna.

The broken lines represent unclaimed features that form no
part of the claimed design.

1 Claim, 7 Drawing Sheets



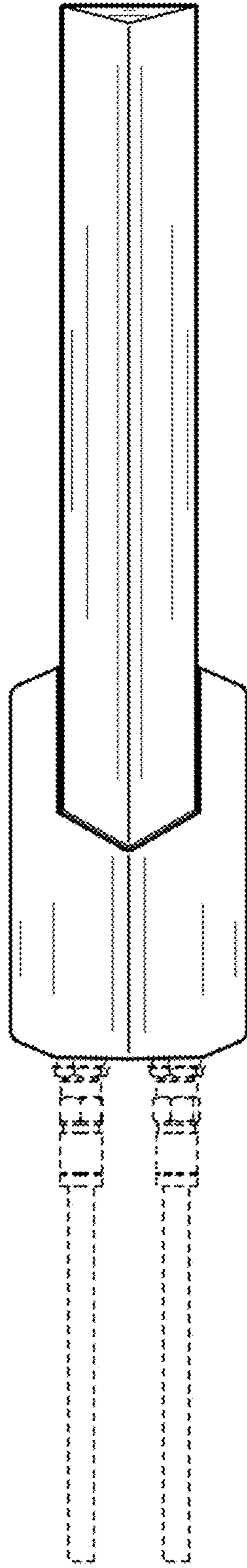


FIG. 1

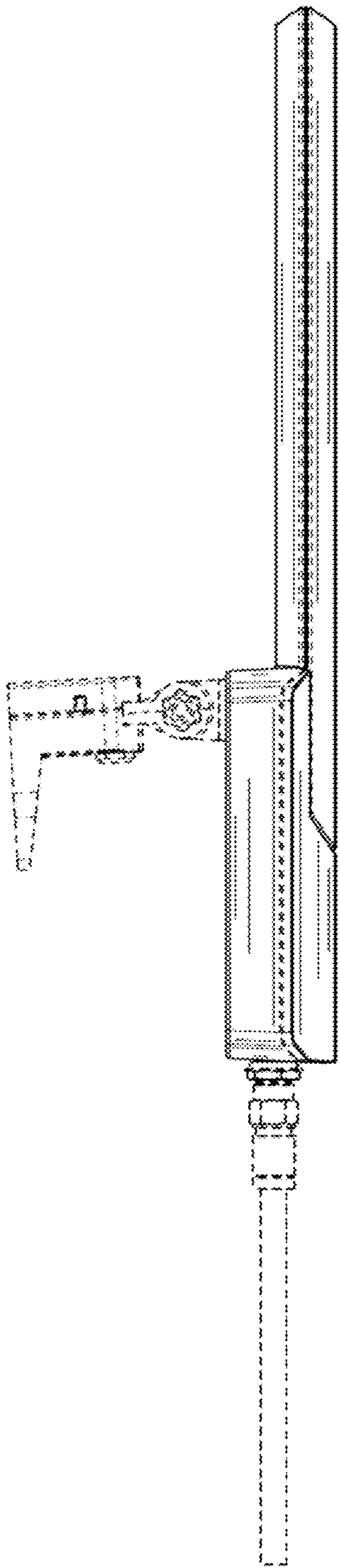


FIG. 2

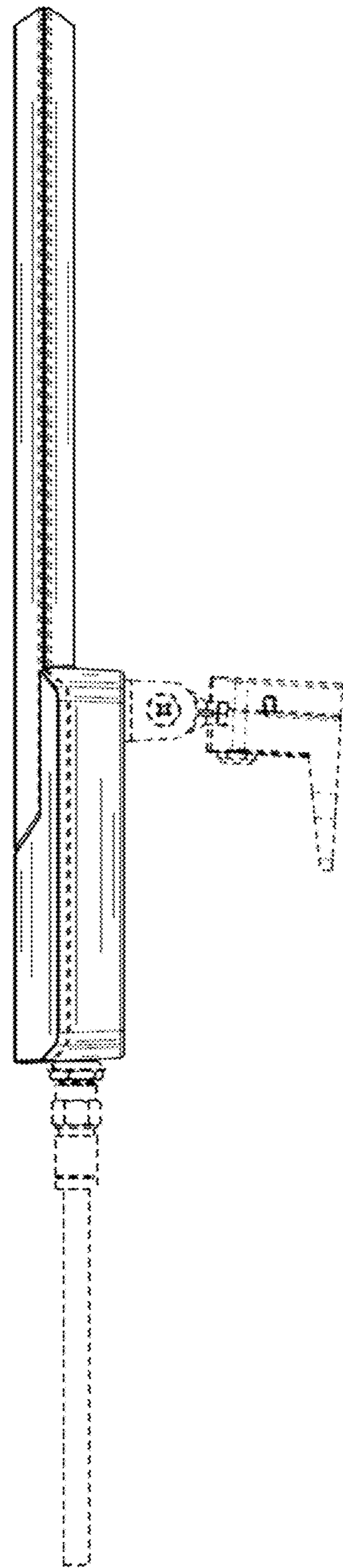


FIG. 3

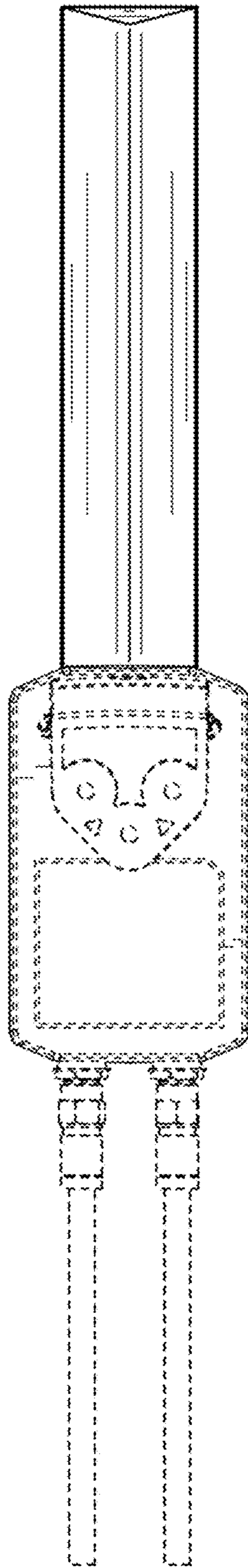


FIG. 4

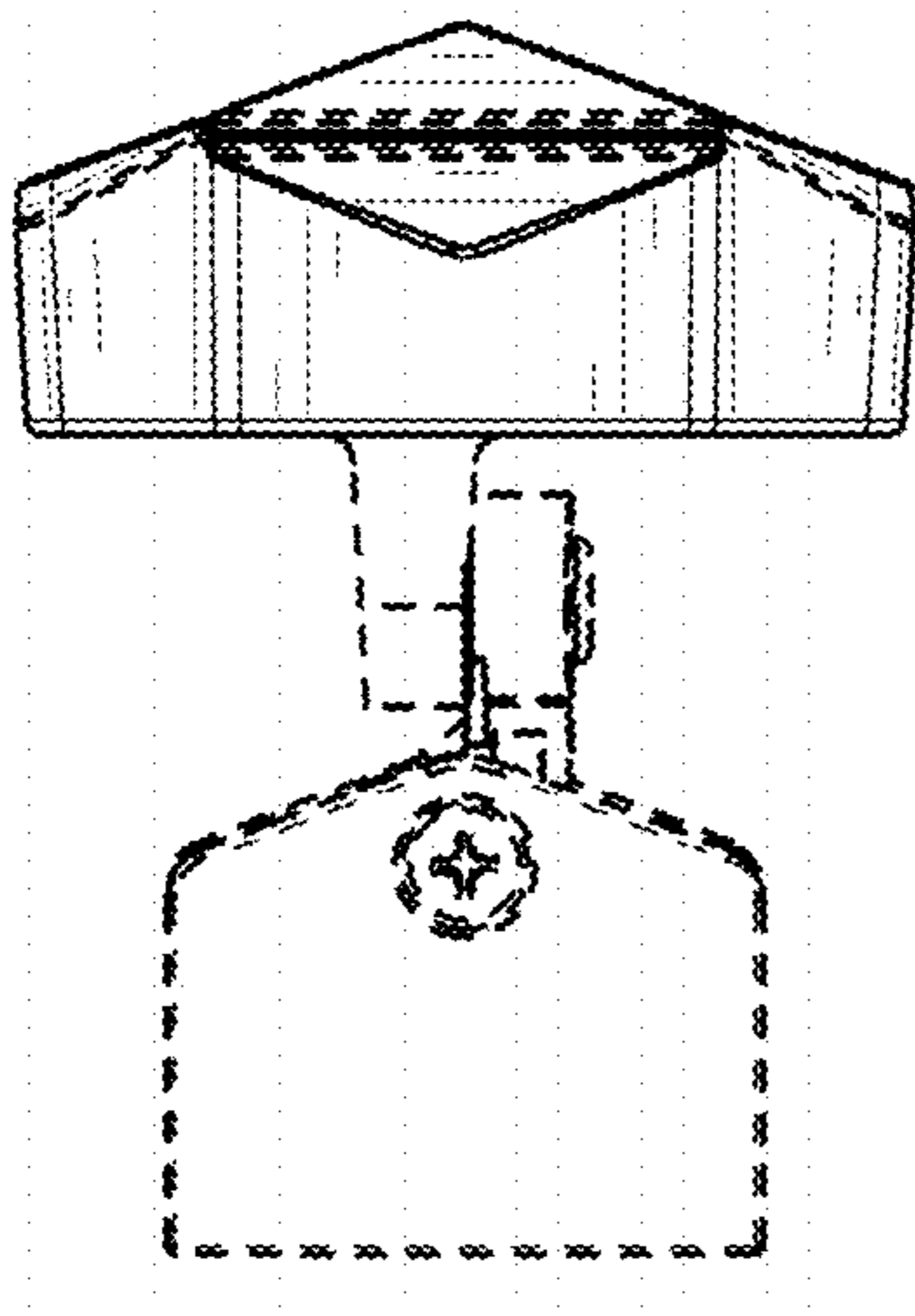


FIG. 5

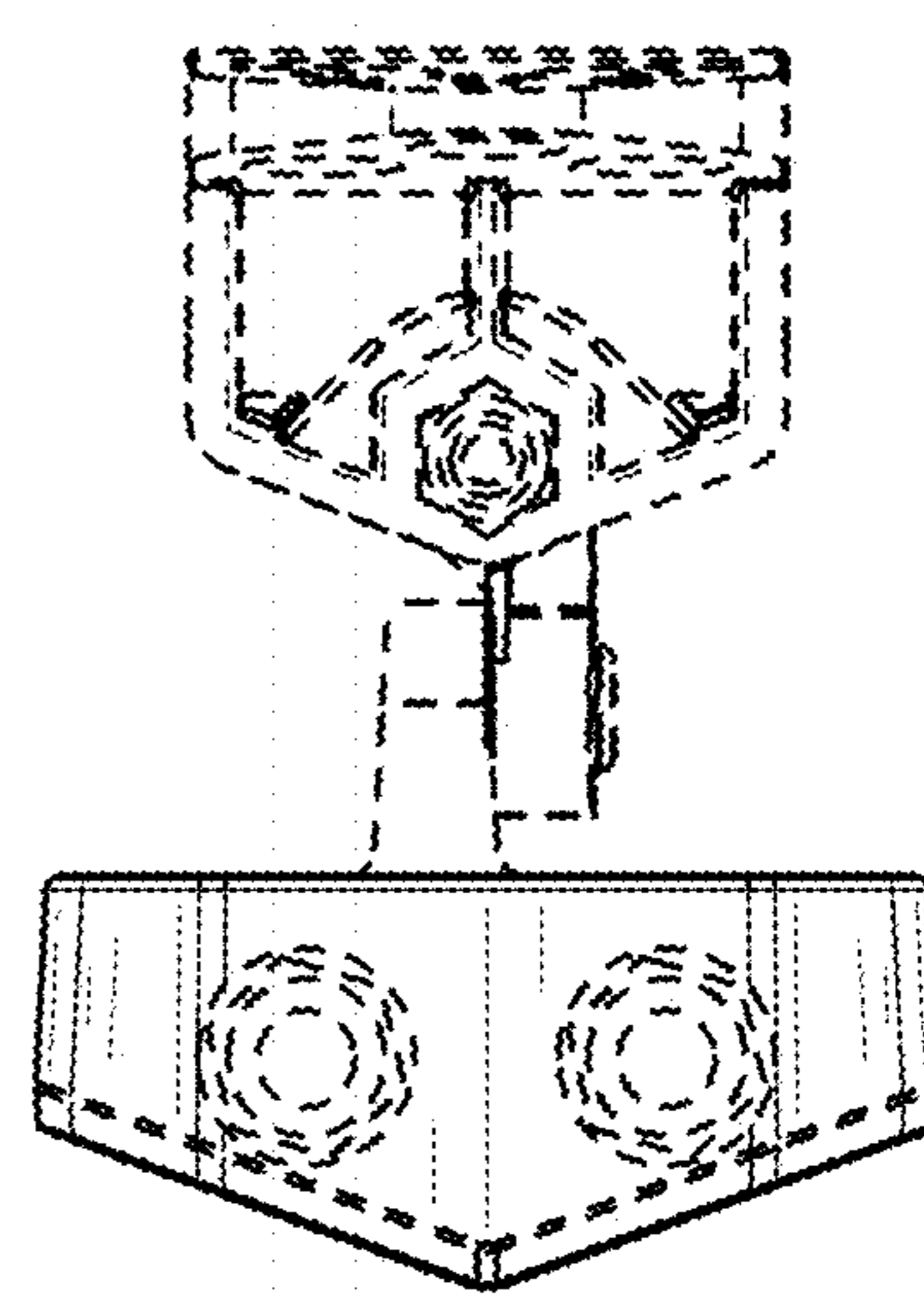


FIG. 6

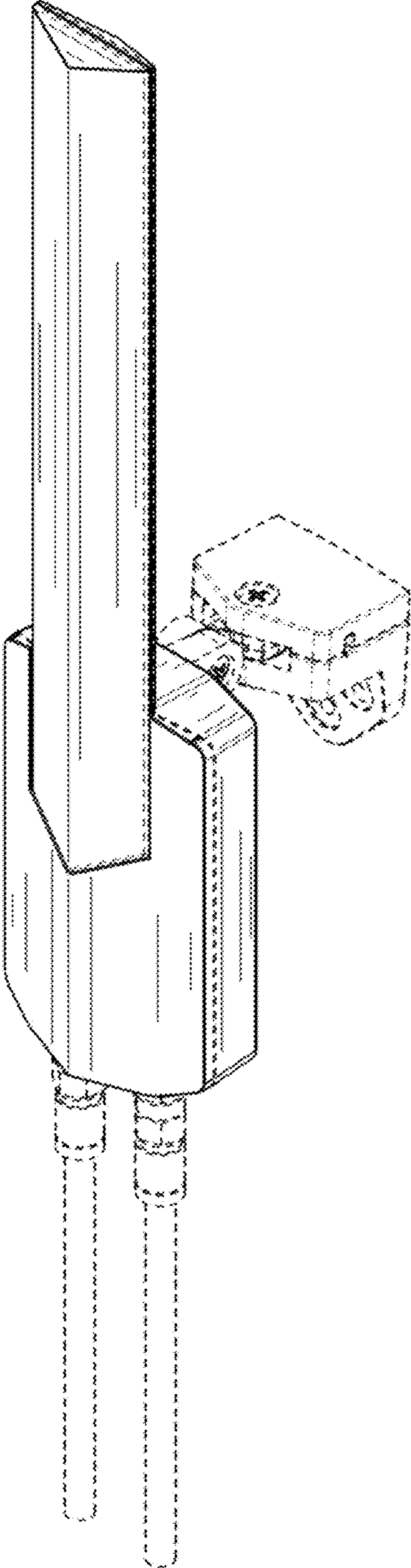


FIG. 7

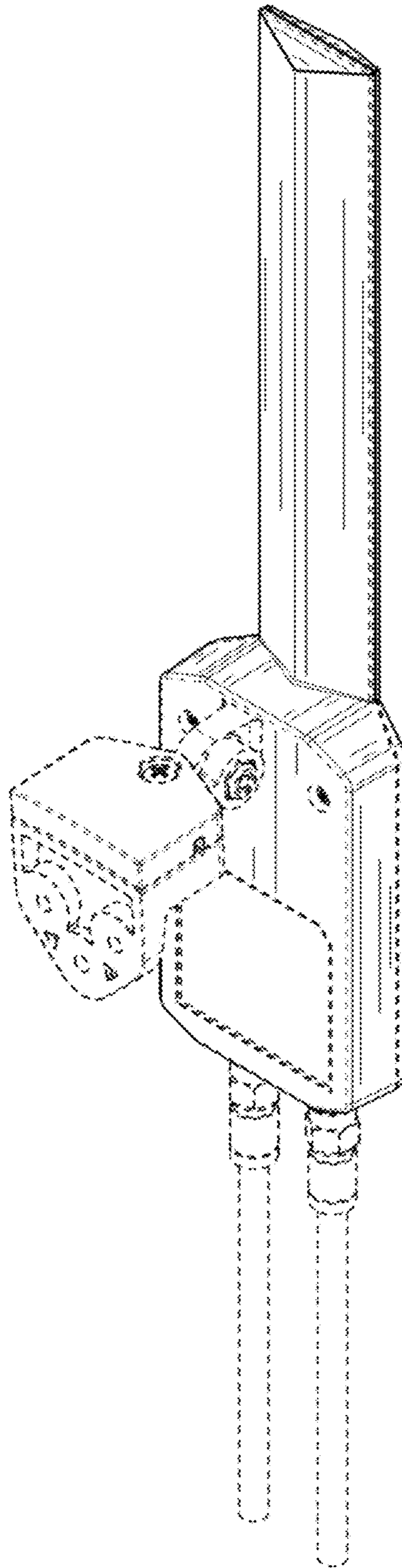


FIG. 8

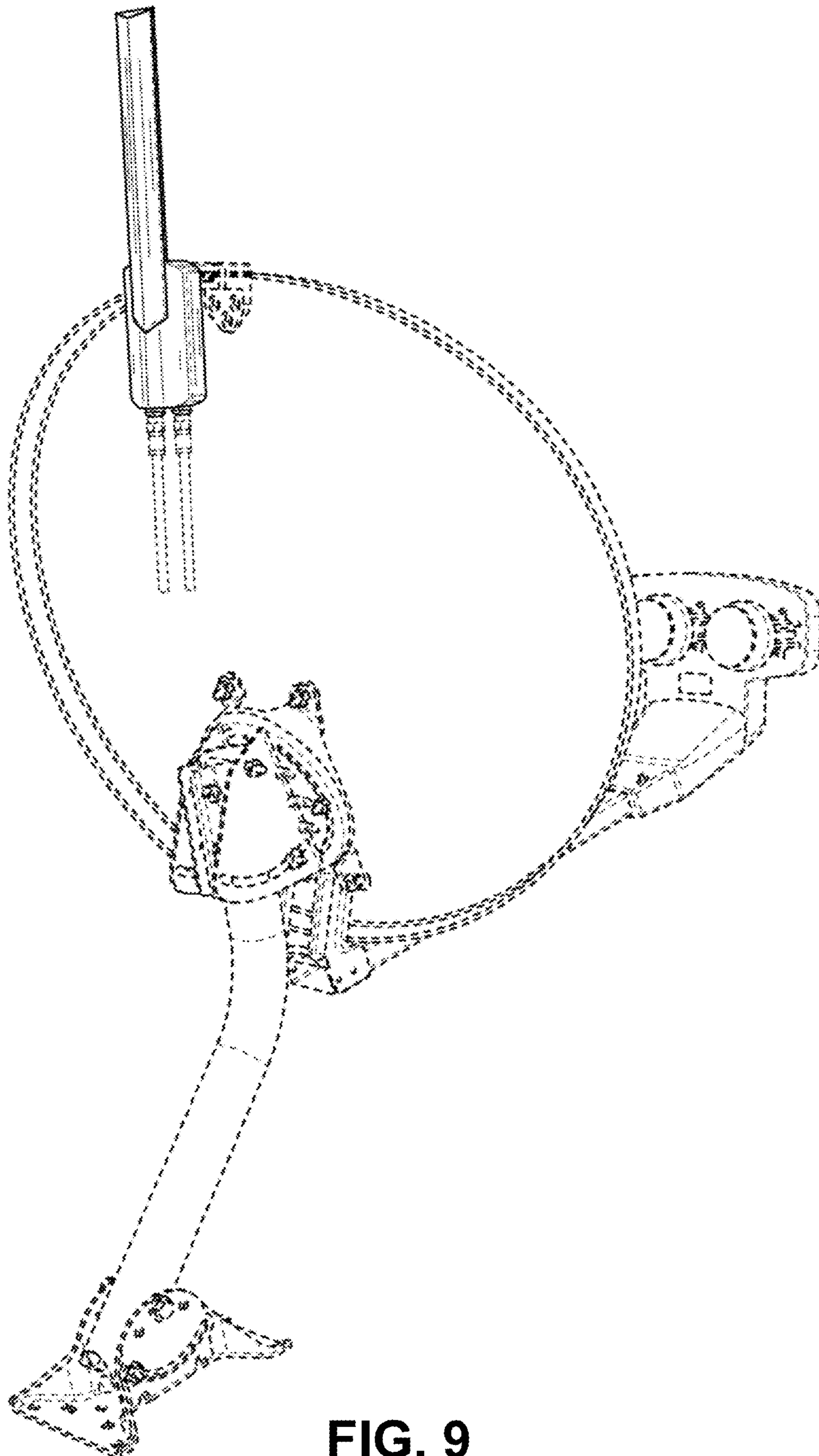


FIG. 9