



US00D932472S

(12) **United States Design Patent** (10) **Patent No.:** **US D932,472 S**  
**Wang et al.** (45) **Date of Patent:** **\*\* Oct. 5, 2021**

(54) **PAIR OF EARPHONES WITH CHARGING BOX**  
(71) Applicant: **BEIJING XIAOMI MOBILE SOFTWARE CO., LTD.**, Beijing (CN)  
(72) Inventors: **Tao Wang**, Beijing (CN); **Ningning Li**, Beijing (CN); **Hongguang Feng**, Beijing (CN)  
(73) Assignee: **BEIJING XIAOMI MOBILE SOFTWARE CO., LTD.**, Beijing (CN)  
(\*\*) Term: **15 Years**  
(21) Appl. No.: **35/510,201**  
(22) Filed: **Aug. 4, 2020**  
(80) **Hague Agreement Data**  
Int. Filing Date: **Aug. 4, 2020**  
Int. Reg. No.: **DM/209880**  
Int. Reg. Date: **Aug. 4, 2020**  
Int. Reg. Pub. Date: **Aug. 28, 2020**

(30) **Foreign Application Priority Data**  
Feb. 5, 2020 (CN) ..... 202030047357.1  
(51) **LOC (13) Cl.** ..... **14-01**  
(52) **U.S. Cl.**  
USPC ..... **D14/223; D13/108**  
(58) **Field of Classification Search**  
USPC ..... D14/203.3, 203.6, 205-206, 223, D14/507-509; D13/103, 107-110, 118,  
(Continued)

(56) **References Cited**  
**U.S. PATENT DOCUMENTS**  
D615,070 S 5/2010 Andre et al.  
D652,823 S \* 1/2012 Chen ..... H04R 1/1016  
D14/223  
(Continued)

**FOREIGN PATENT DOCUMENTS**  
CN 305231440 S 6/2019  
CN 305396503 S 10/2019  
(Continued)

**OTHER PUBLICATIONS**

“XiaoMi True Wireless Earphones 2 Basic The new headphones have a longer battery life. With excellent sound quality, easy to adjust. White (international edition), Mi True Wireless Earphones 2 Basic” [online]. Xiaomi. [Product first available on Aug. 25, 2020]. Retrieved from the Internet: <<https://www.amazon.com/dp/B08BRGH7S3>>.\*

(Continued)

*Primary Examiner* — Mojtaba Tehrani

(74) *Attorney, Agent, or Firm* — Amster, Rothstein & Ebenstein LLP

(57) **CLAIM**

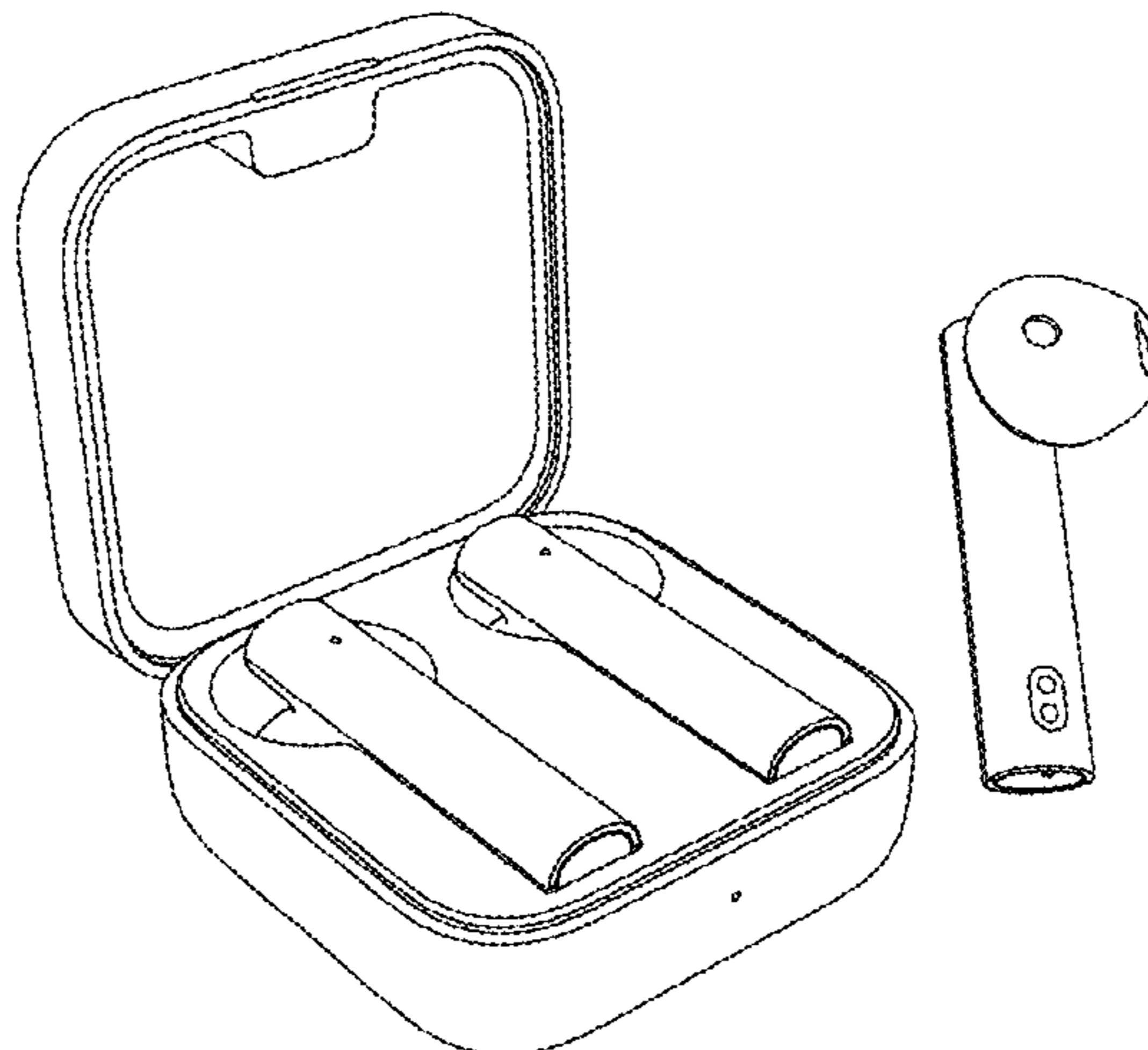
The ornamental design for a pair of earphones with charging box, as shown and described.

**DESCRIPTION**

1.-2. Pair of earphones with charging box

- 1.1 : Front
- 1.2 : Back
- 1.3 : Left
- 1.4 : Right
- 1.5 : Top
- 1.6 : Bottom
- 1.7 : Perspective
- 1.8 : Perspective
- 1.9 : Front
- 1.10 : Back
- 1.11 : Left
- 1.12 : Right
- 1.13 : Top
- 1.14 : Bottom
- 1.15 : Perspective
- 1.16 : Perspective
- 1.17 : Front
- 1.18 : Back
- 1.19 : Left
- 1.20 : Right
- 1.21 : Top
- 1.22 : Bottom
- 1.23 : Perspective

(Continued)



- 1.24 : Perspective
- 1.25 : Front
- 1.26 : Back
- 1.27 : Left
- 1.28 : Right
- 1.29 : Top
- 1.30 : Bottom
- 1.31 : Perspective
- 1.32 : Perspective
- 1.33 : Front
- 1.34 : Back
- 1.35 : Left
- 1.36 : Right
- 1.37 : Top
- 1.38 : Bottom
- 1.39 : Perspective
- 1.40 : Perspective
- 2.1 : Front
- 2.2 : Back
- 2.3 : Left
- 2.4 : Right
- 2.5 : Top
- 2.6 : Bottom
- 2.7 : Perspective
- 2.8 : Perspective
- 2.9 : Front
- 2.10 : Back
- 2.11 : Left
- 2.12 : Right
- 2.13 : Top
- 2.14 : Bottom
- 2.15 : Perspective
- 2.16 : Perspective

1.1 to 1.8 are 8 views, including six orthographic projection views and two perspective views, of a pair of earphones with a charging box in an opening state, 1.9 to 1.16 are those views of the pair of earphones with the charging box in a closing state; 1.17 to 1.24 are those views of the first earphone, the first and second earphones are symmetric with each other and the views of the second earphone are thereby omitted; 1.25 to 1.32 are those views of the charging box in an opening state, and 1.33 to 1.40 are those views of the charging box in a closing state; 2.1 to 2.8 are those views of another pair of earphones with the charging box in an opening state, and the views thereof in the closing state are omitted; 2.9 to 2.16 are those views of the first earphone of the another pair of earphones, the first and second earphones are symmetric with each other and the views of the second earphone are thereby omitted.

**1 Claim, 56 Drawing Sheets**

- (58) **Field of Classification Search**  
 USPC ..... D13/119, 184, 199; D3/201, 218, 294;  
 D24/173-174

CPC ..... H04R 1/10; H04R 1/1016; H04R 1/1008  
 See application file for complete search history.

(56) **References Cited**

U.S. PATENT DOCUMENTS

D681,015	S *	4/2013	Akana .....	H04R 1/10 D14/223
D770,412	S *	11/2016	Son .....	D14/205
D801,314	S *	10/2017	Akana .....	D14/223
D830,345	S *	10/2018	Cai .....	D14/223
D853,995	S *	7/2019	Cai .....	D14/223
10,349,259	B2 *	7/2019	Watson .....	H04W 4/08
10,362,384	B2 *	7/2019	Yun .....	H04R 1/105
D861,647	S *	10/2019	Chen .....	D14/223
D869,445	S *	12/2019	Hu .....	D14/223
D870,451	S *	12/2019	Birger .....	D3/201
10,516,281	B2 *	12/2019	Dennis .....	H04R 1/1033
D878,337	S *	3/2020	Yang .....	D14/223
D882,262	S *	4/2020	Zhang .....	D3/294
D885,373	S *	5/2020	Lundback .....	D14/223
D889,439	S *	7/2020	Hsieh .....	D14/223
D889,440	S *	7/2020	Yan .....	D14/223
D890,724	S *	7/2020	Li .....	D14/223
10,750,268	B2 *	8/2020	Dang .....	H02J 50/05
D896,788	S *	9/2020	Akana .....	D14/223
D901,457	S *	11/2020	Zhang .....	D14/223
D902,589	S *	11/2020	Li .....	D3/295
D905,017	S *	12/2020	Chen .....	D14/223
D906,299	S *	12/2020	Luo .....	D14/223
D911,958	S *	3/2021	Zeng .....	D13/108
D912,017	S *	3/2021	Chen .....	D14/223
D914,652	S *	3/2021	Chen .....	D14/223
D915,355	S *	4/2021	Xiang .....	D14/223
10,993,014	B1 *	4/2021	Xu .....	H04R 1/1016
D918,178	S *	5/2021	Chen .....	D14/223
D918,179	S *	5/2021	Zhao .....	D14/223
D919,293	S *	5/2021	Fang .....	D3/295
D920,291	S *	5/2021	Hou .....	D14/223
11,028,468	B2 *	6/2021	DiFonzo .....	H01F 1/147

FOREIGN PATENT DOCUMENTS

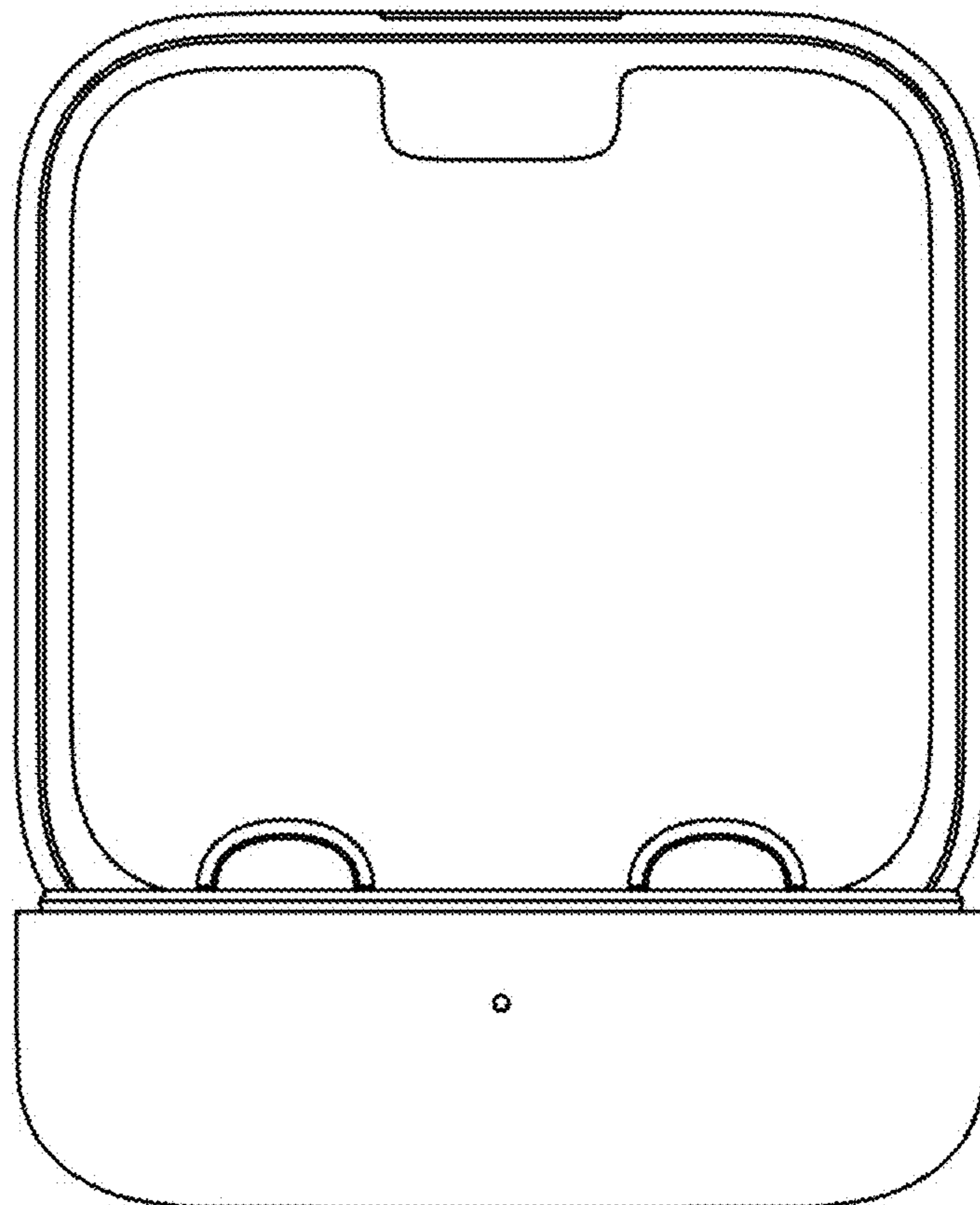
CN	305429745	S	11/2019
CN	305433316	S	11/2019
CN	305472329	S	12/2019
CN	305498485	S	12/2019
CN	305515713	S	12/2019
CN	305543724	S	1/2020
CN	305560129	S	1/2020

OTHER PUBLICATIONS

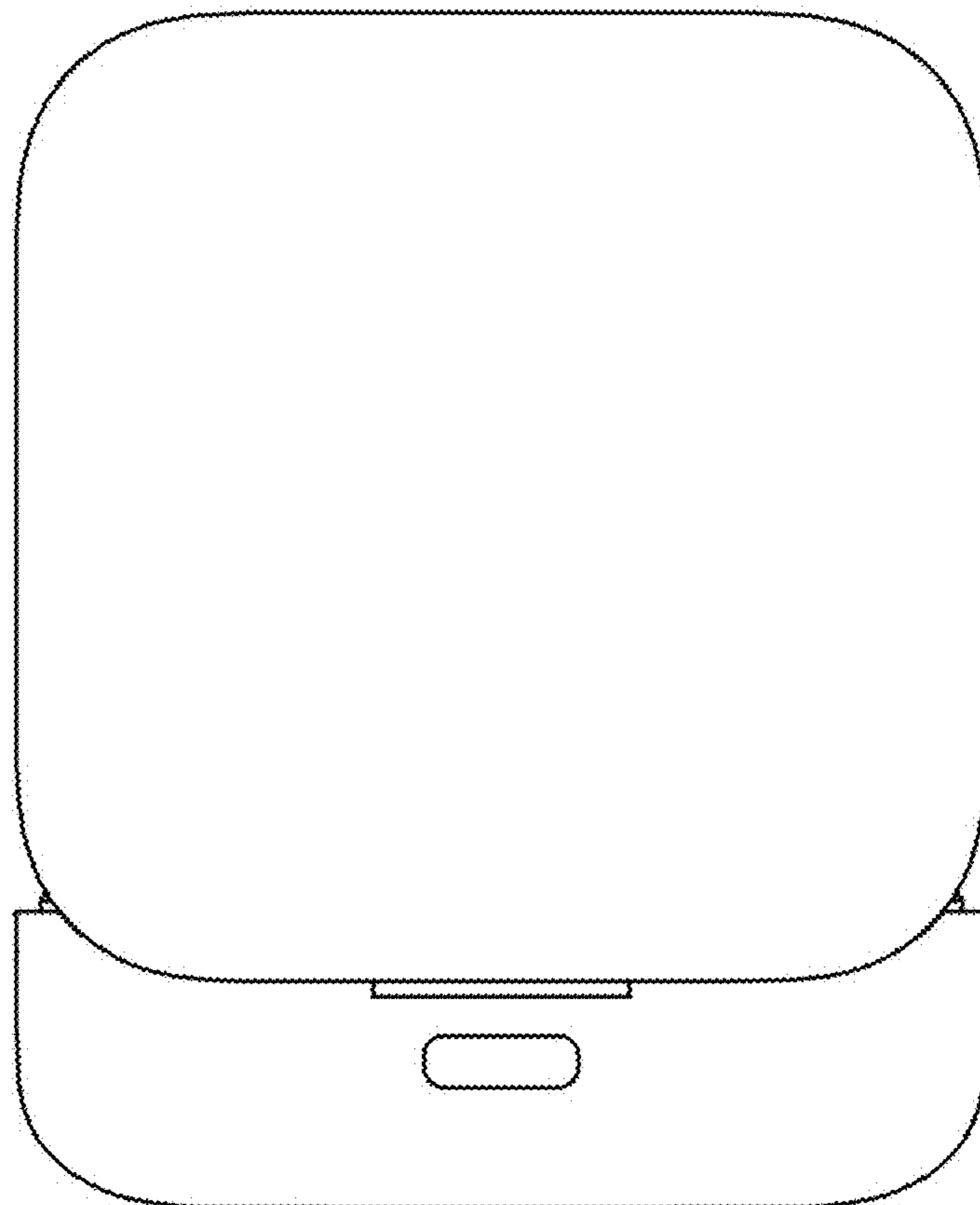
“Wireless Earbuds, Willful Bluetooth Earbuds with Microphone, Stereo Sound, Clear Call, Touch Control, USB-C Charge, Bluetooth V5.0, Waterproof, Secure Fit, in-Ear Headphones Earphones (White)” [online]. Willful. [Product first available on Jul. 16, 2020]. Retrieved from the Internet: <<https://www.amazon.com/dp/B08D3RPQ4H/>>.\*  
 Chinese Patent Right Evaluation Report dated Mar. 15, 2021 in connection with Chinese Patent Application No. 202030047357.1.

\* cited by examiner

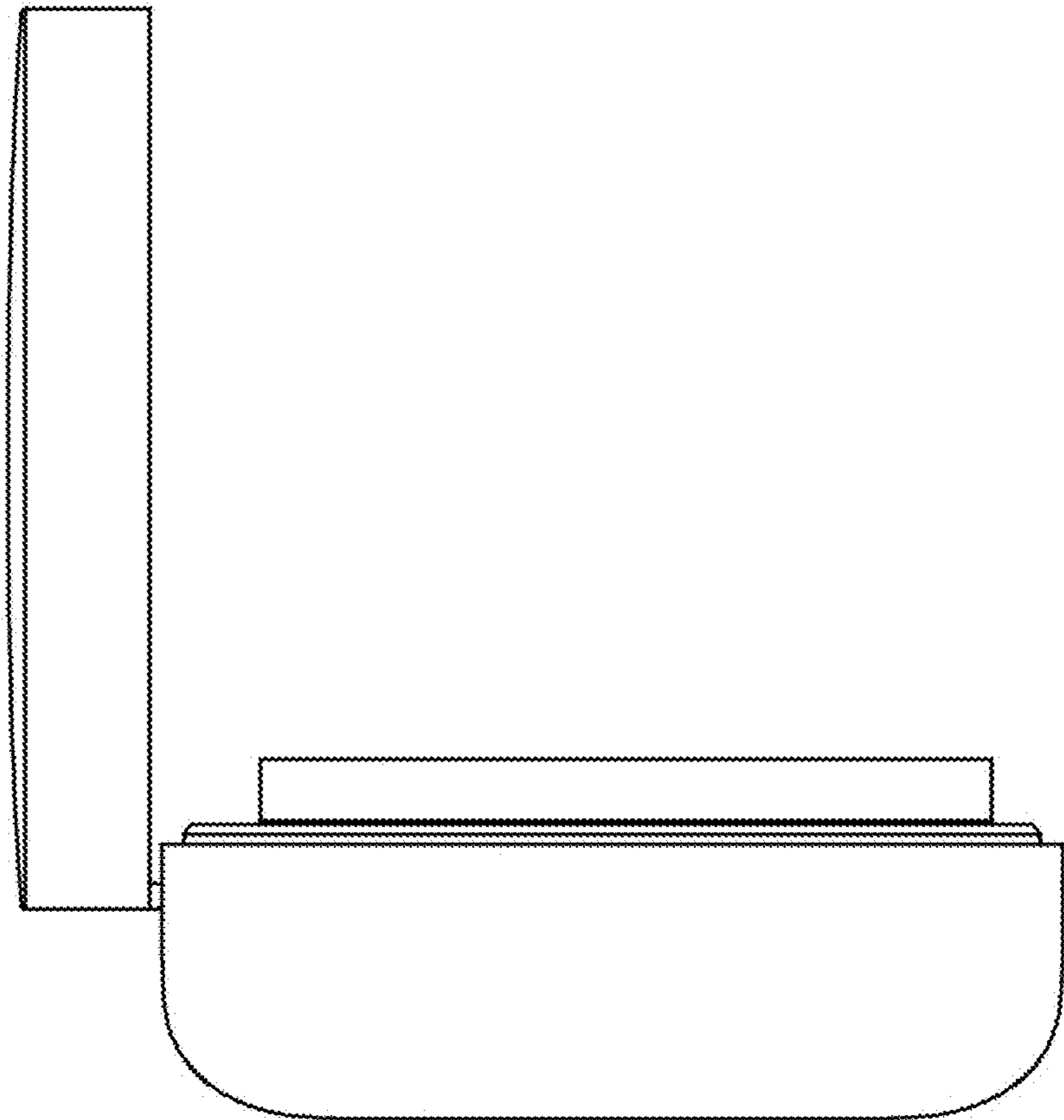
1.1



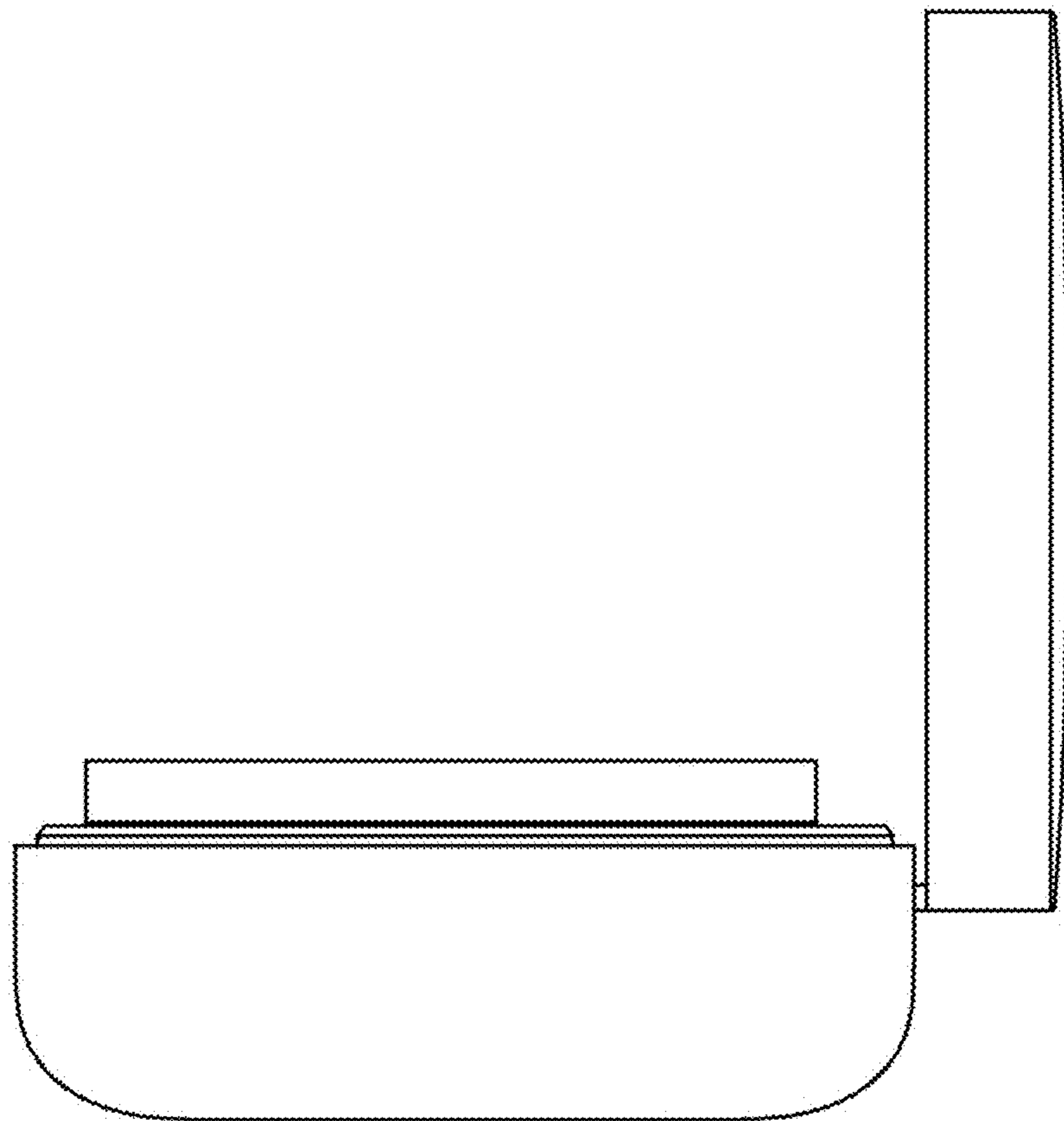
1.2



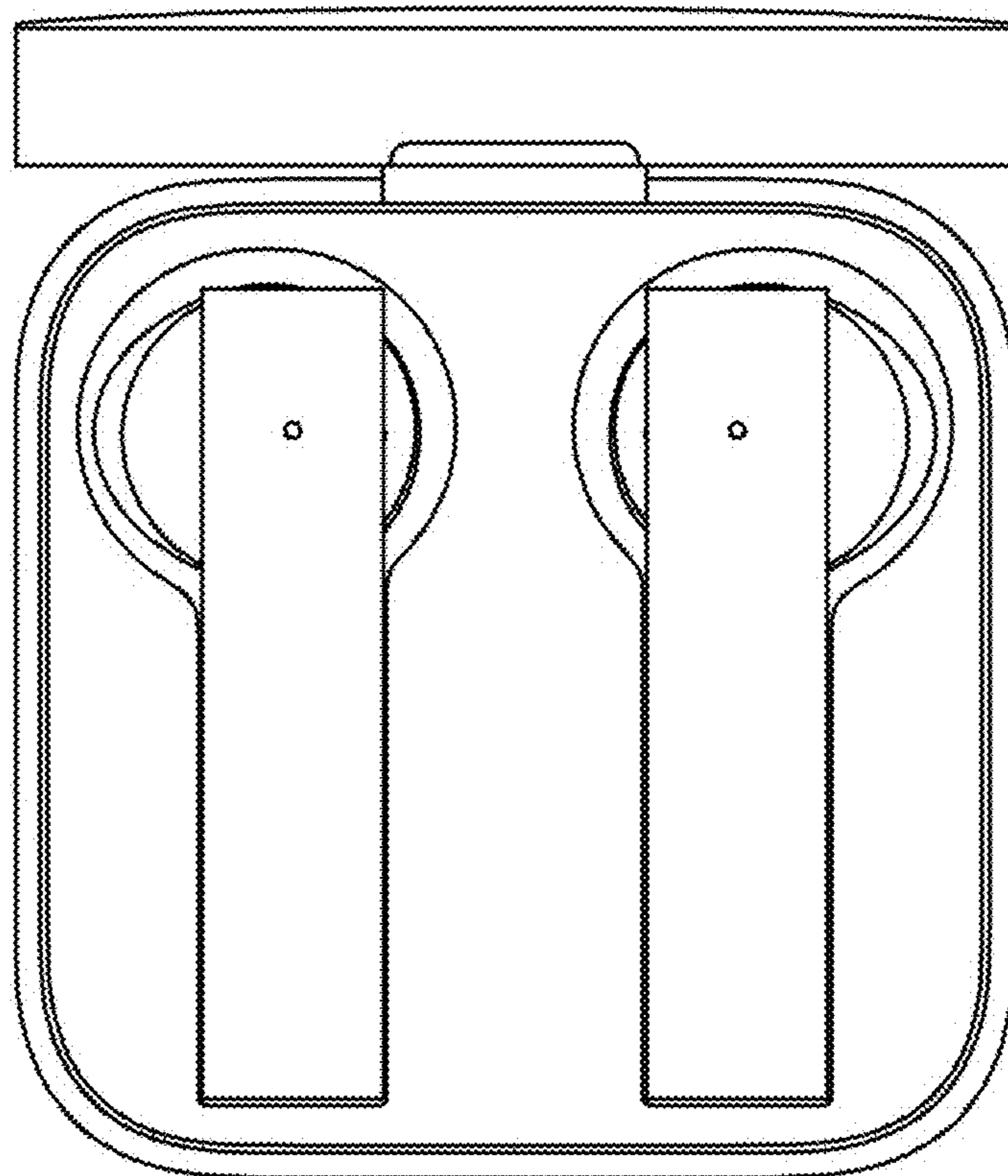
1.3



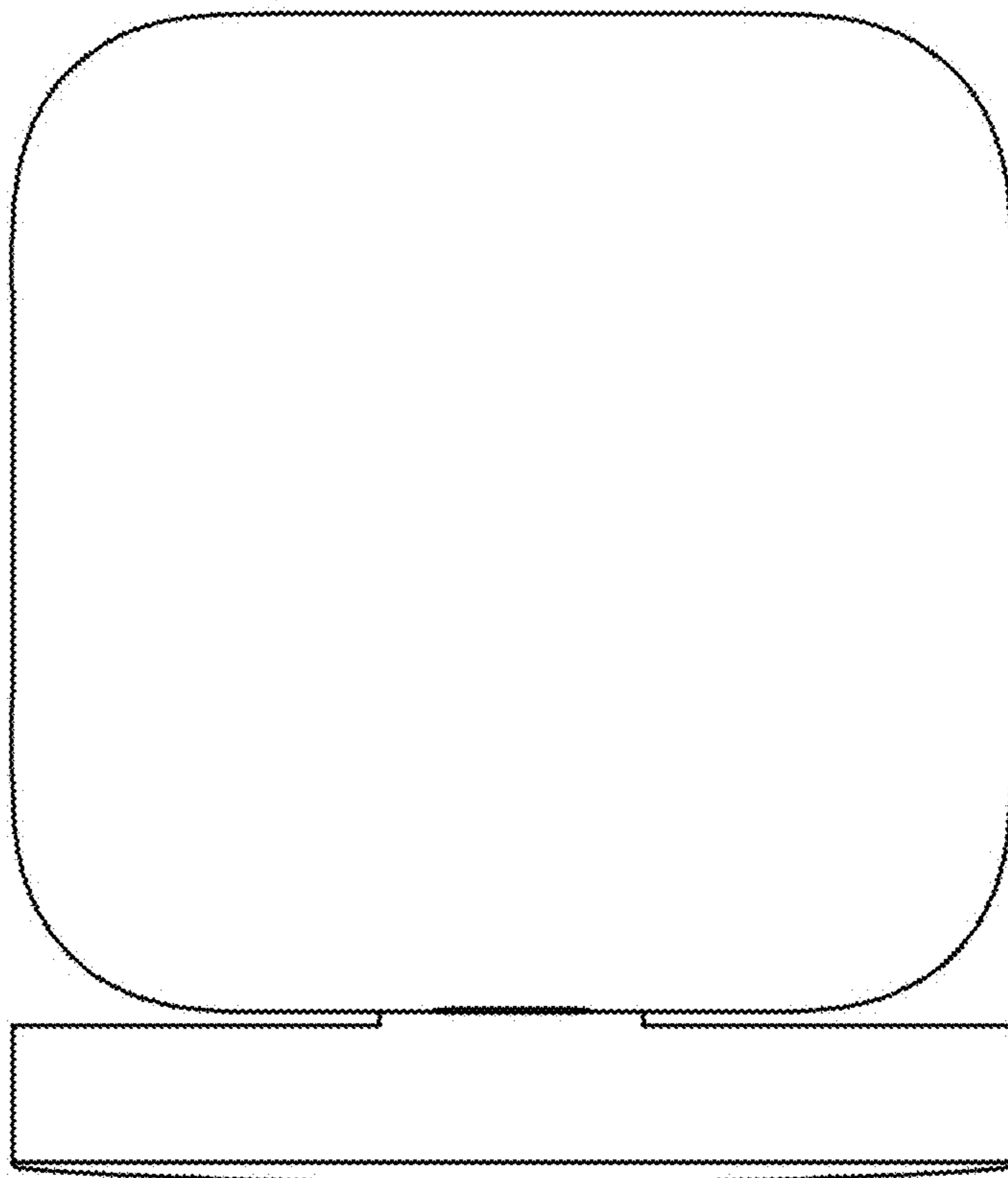
1.4



1.5



1.6

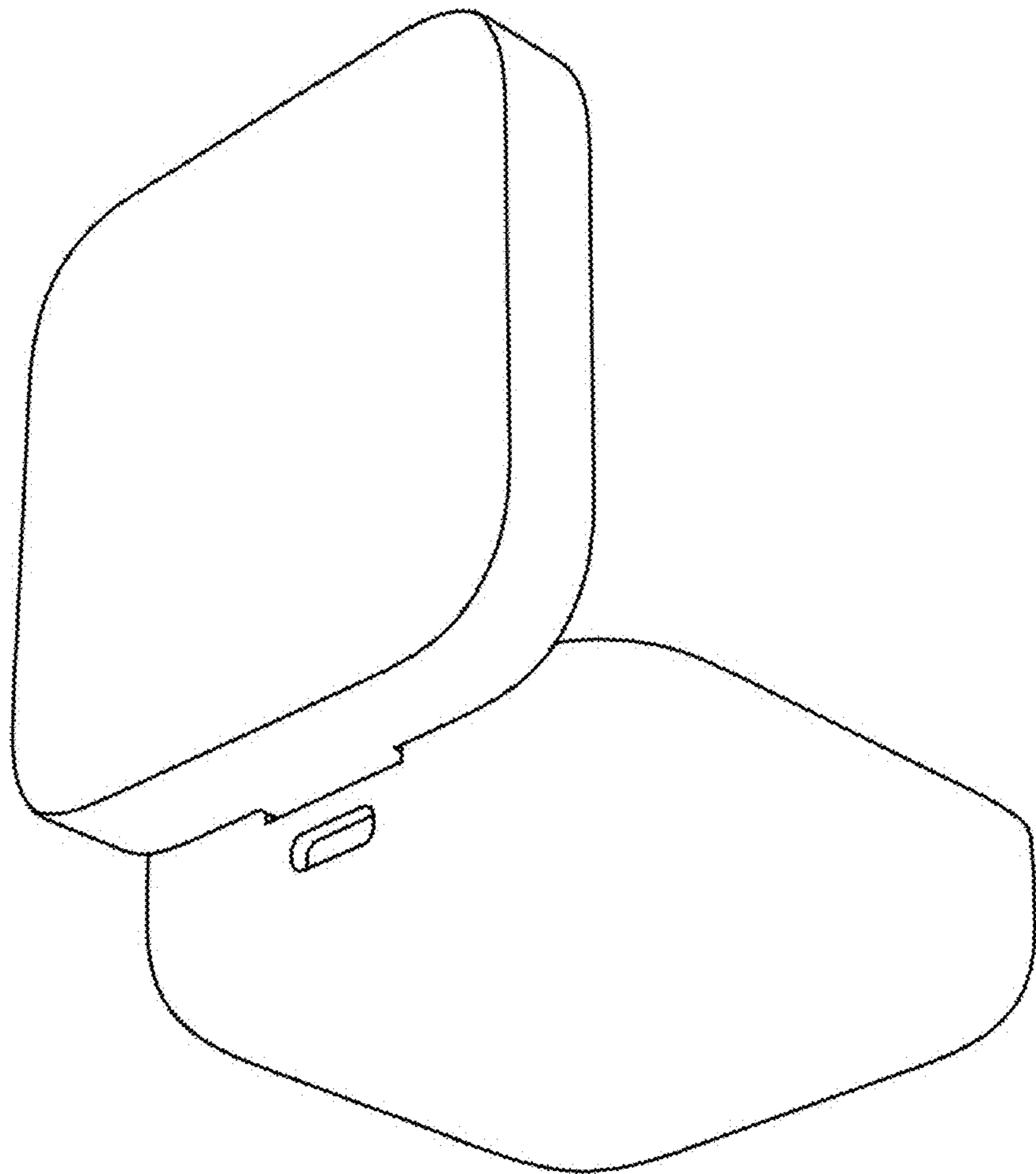




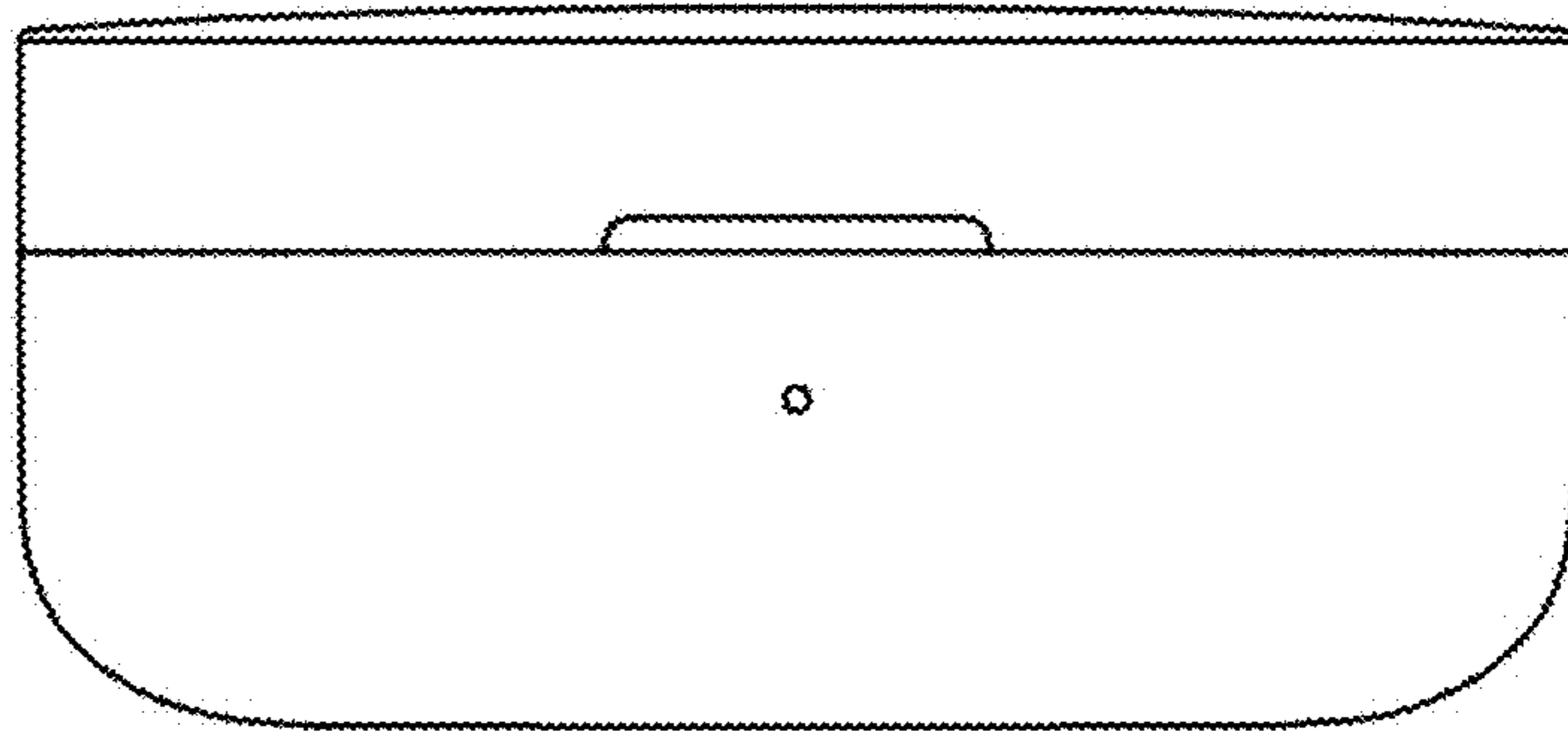
1.7



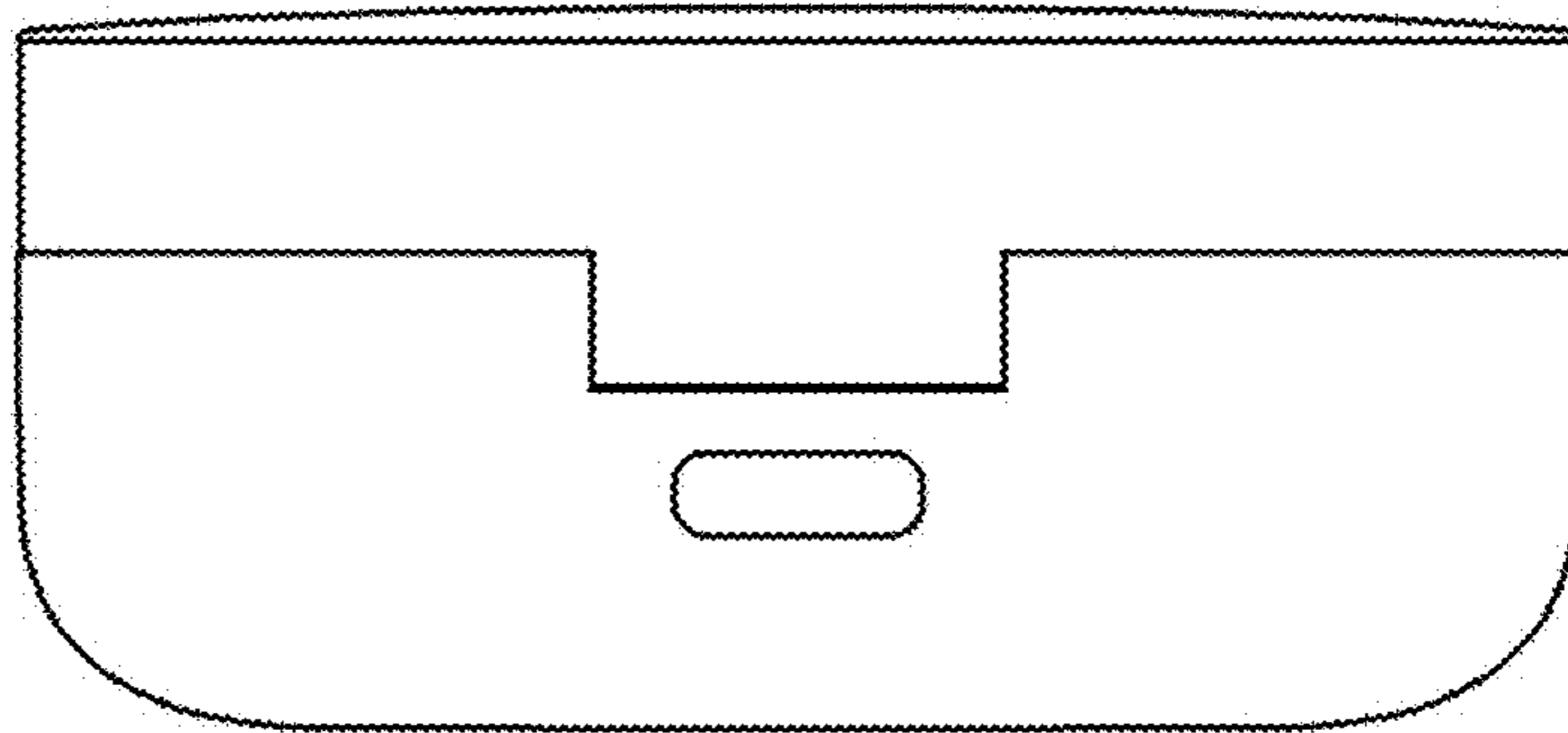
1.8



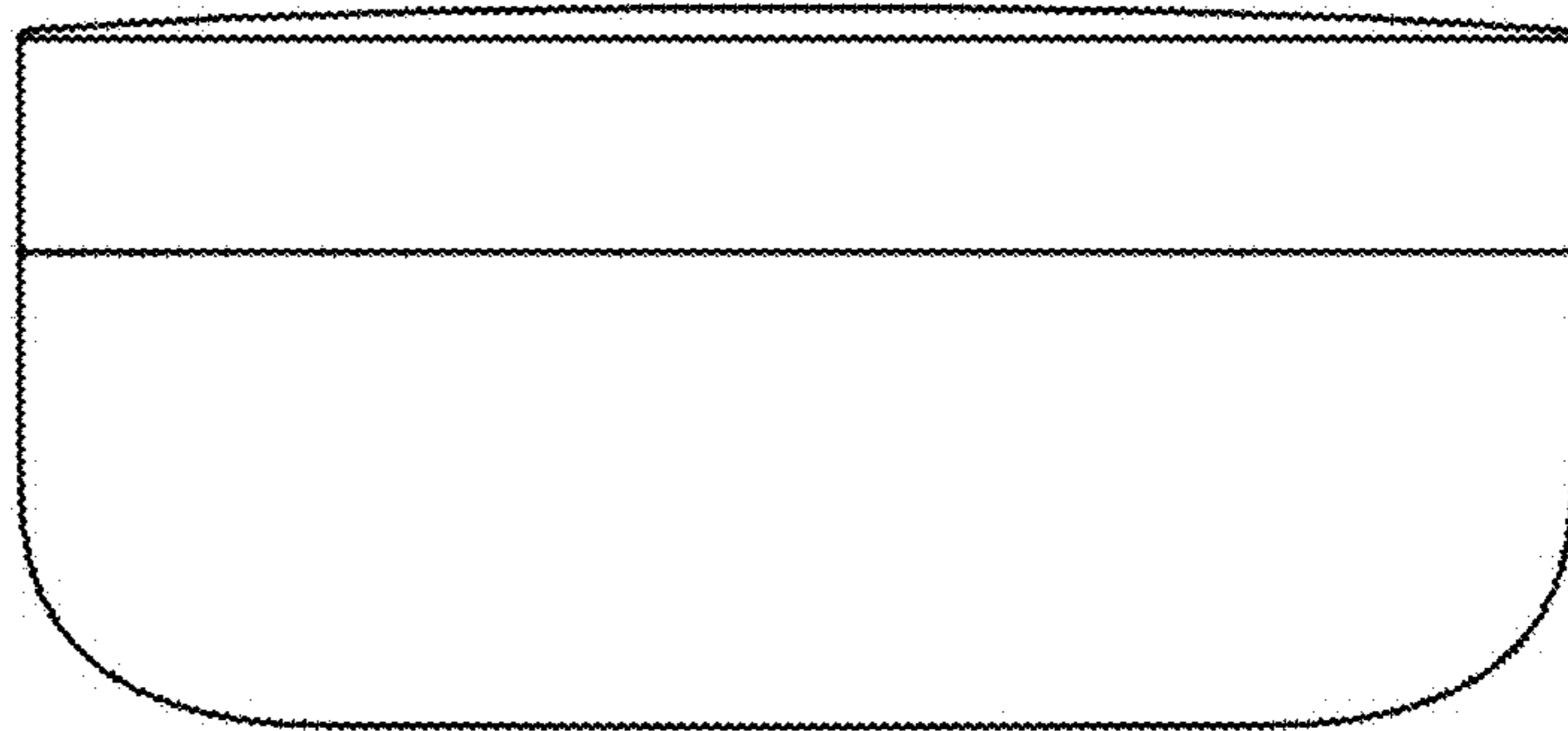
1.9



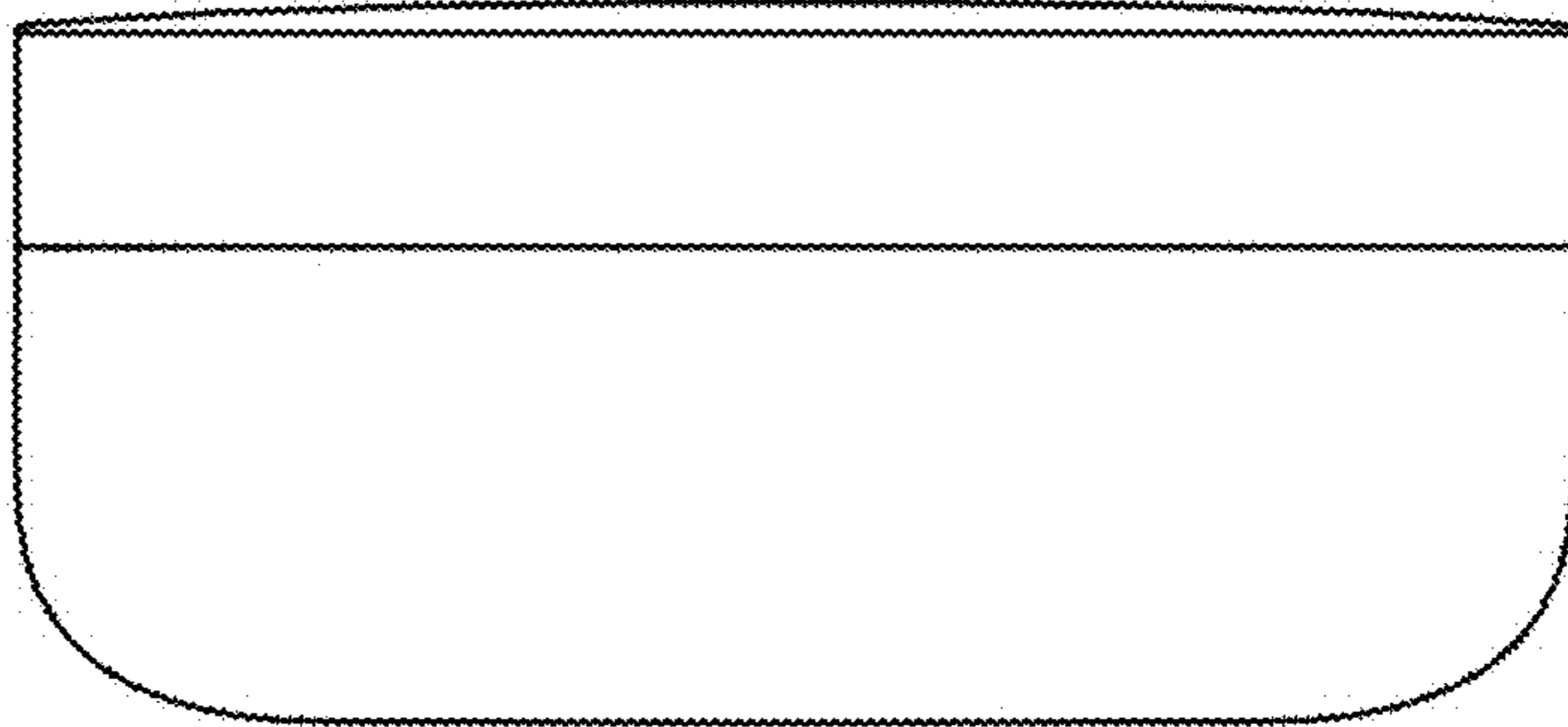
1.10



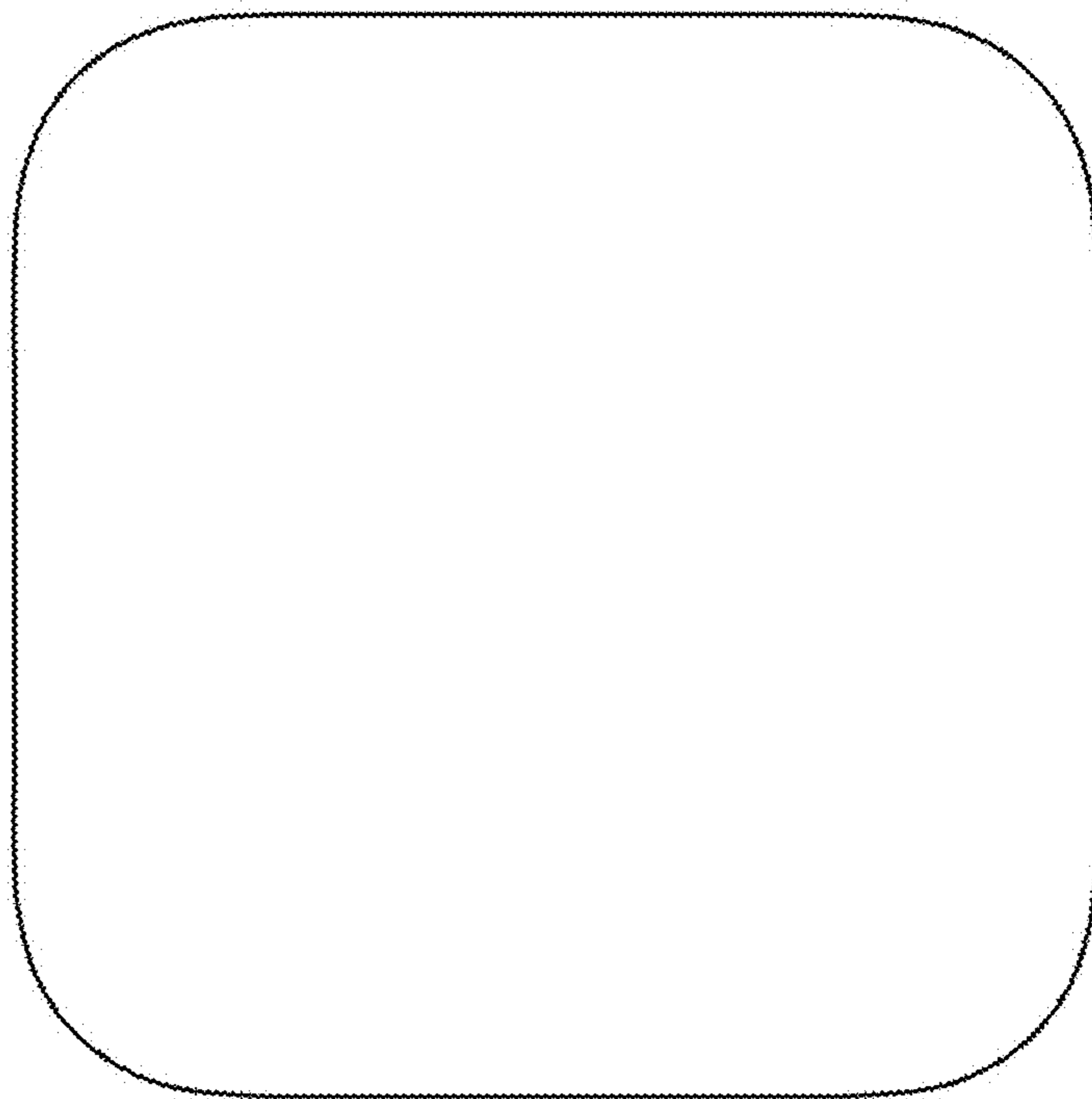
1.11



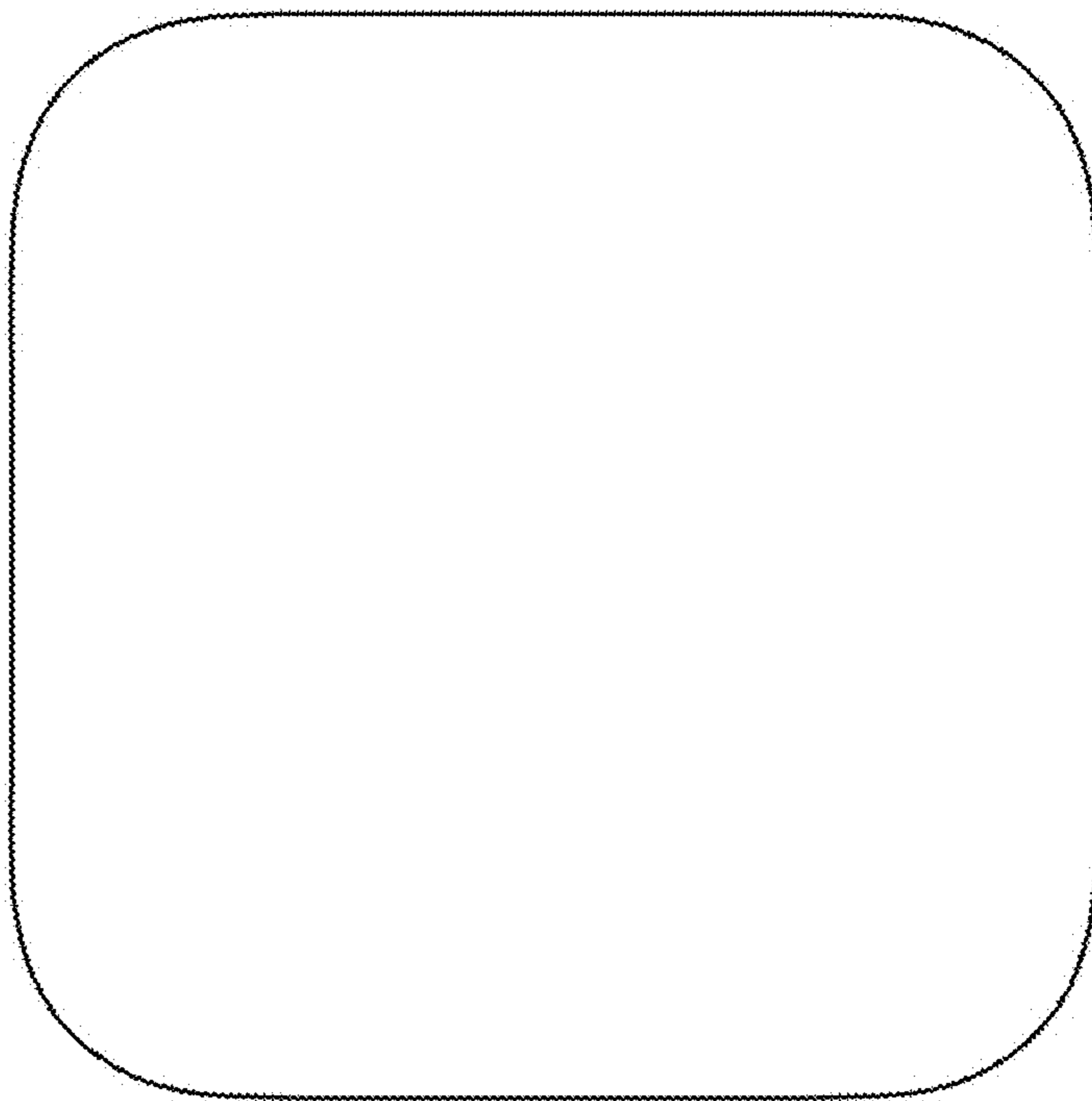
1.12



1.13

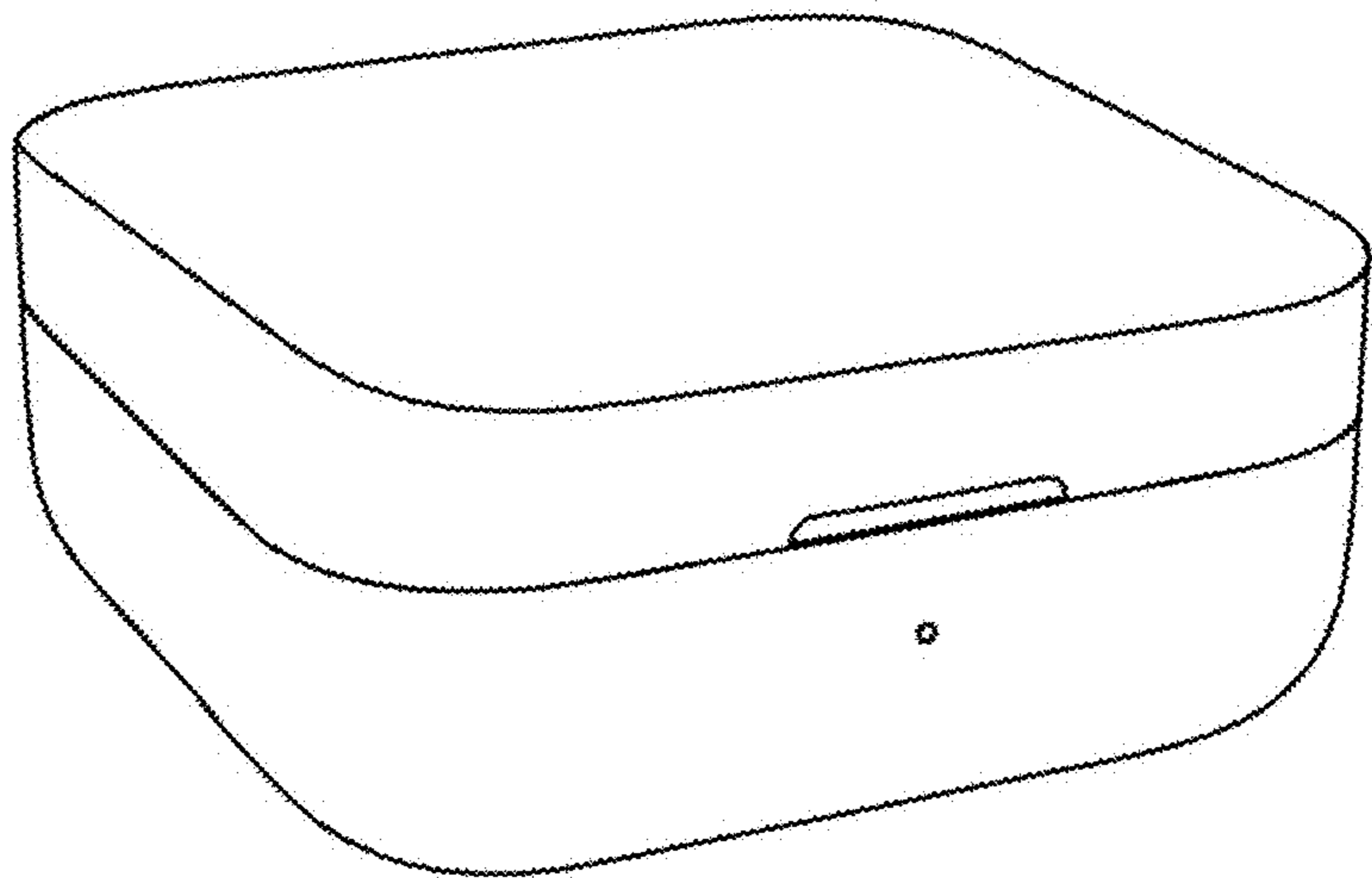


1.14

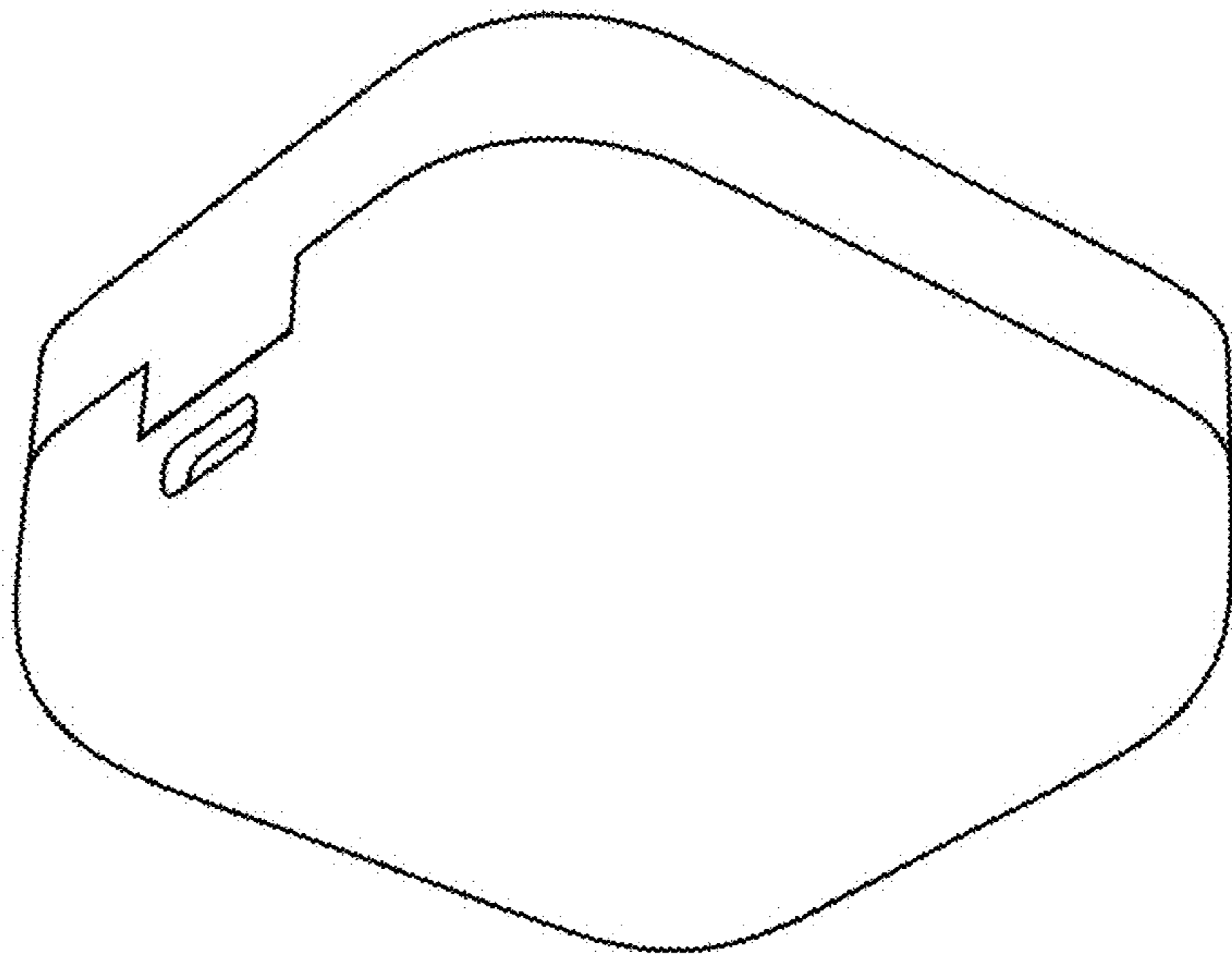




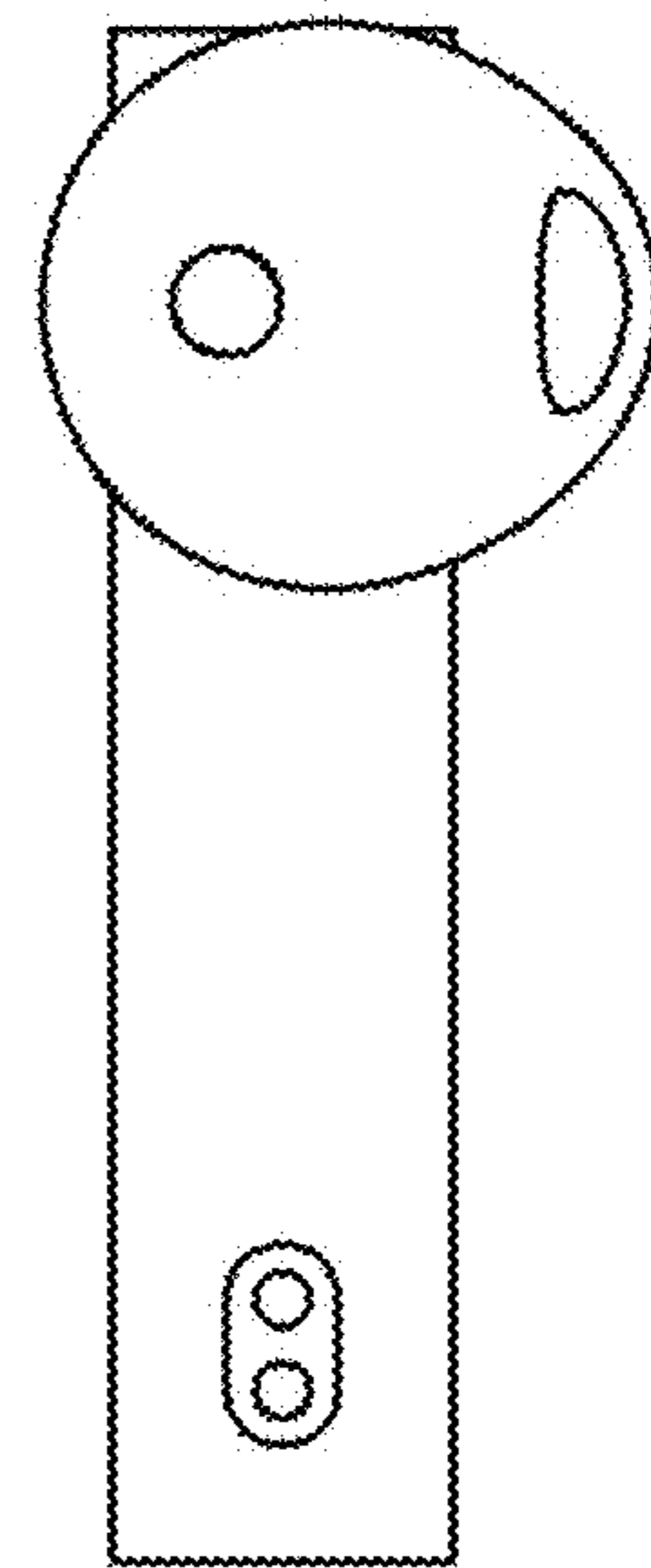
1.15



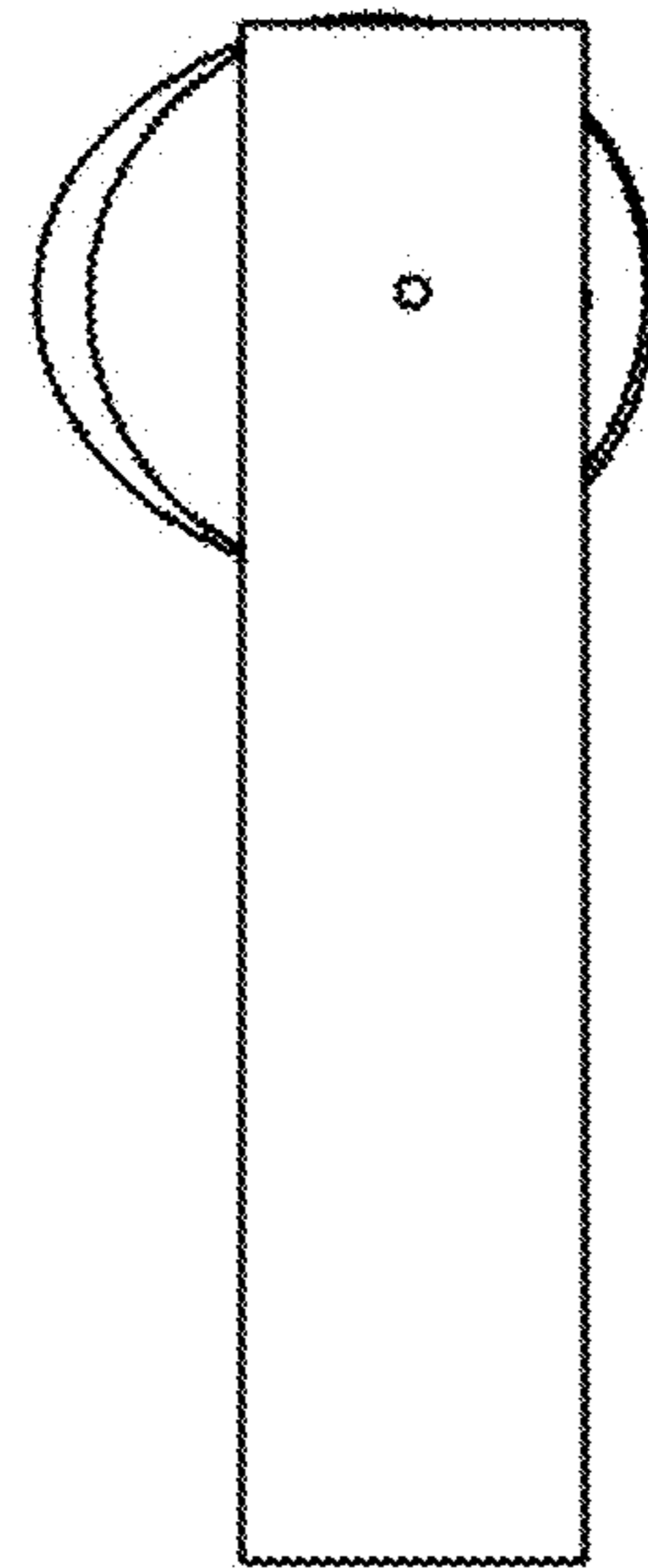
1.16



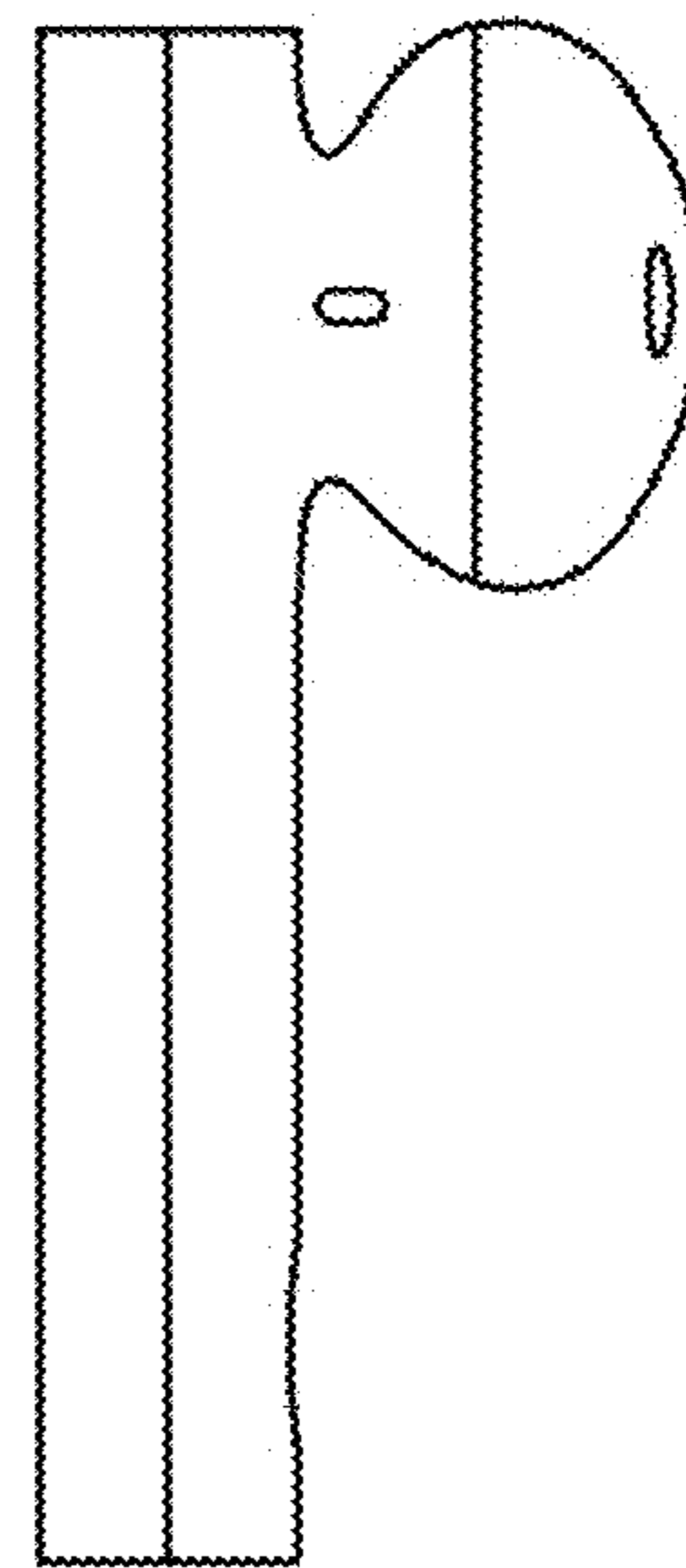
1.17



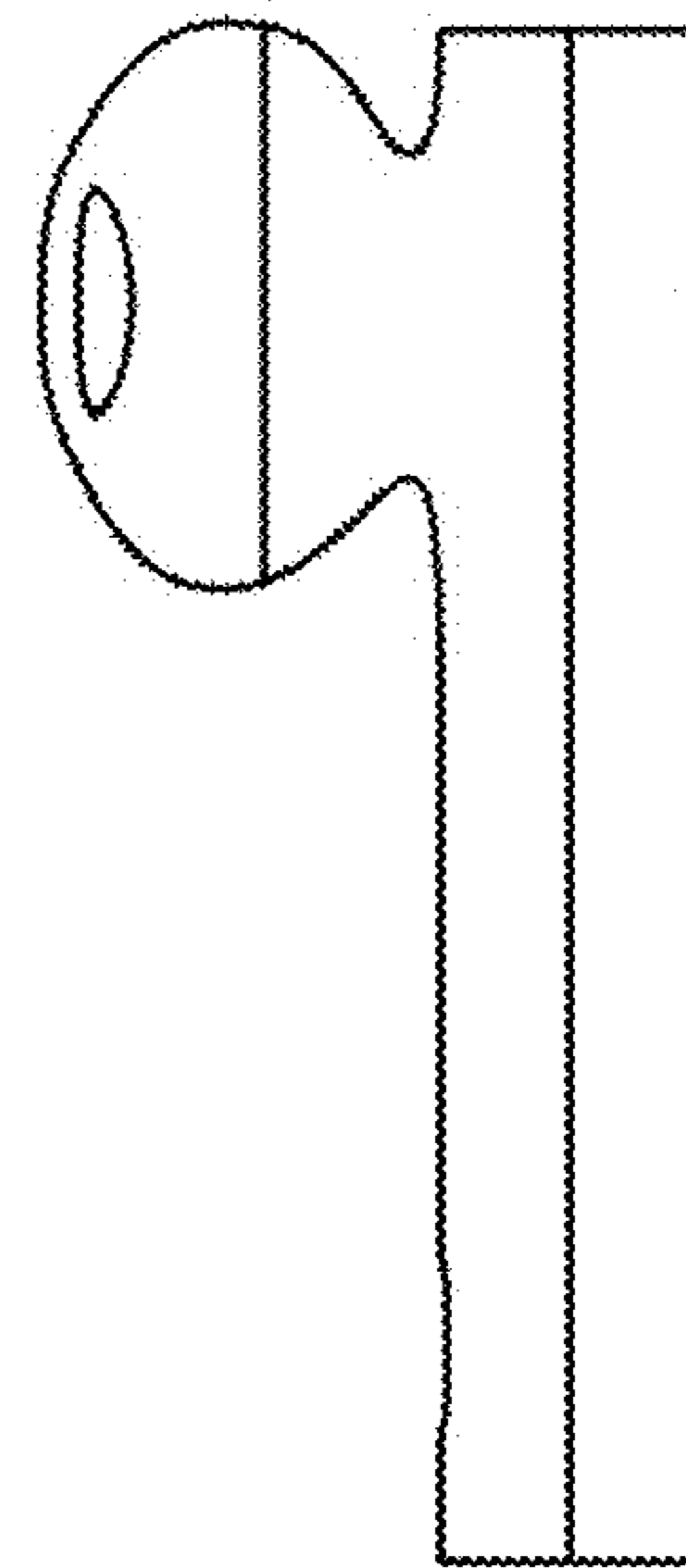
1.18



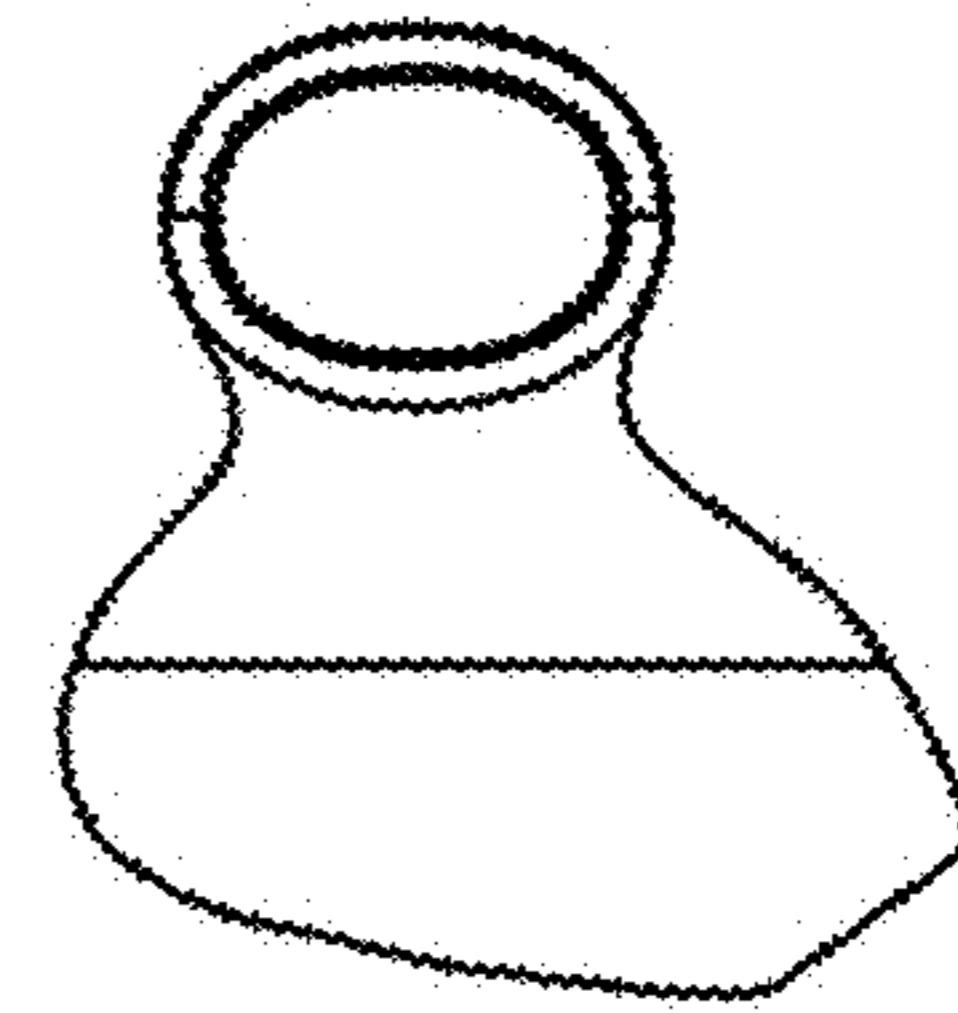
1.19



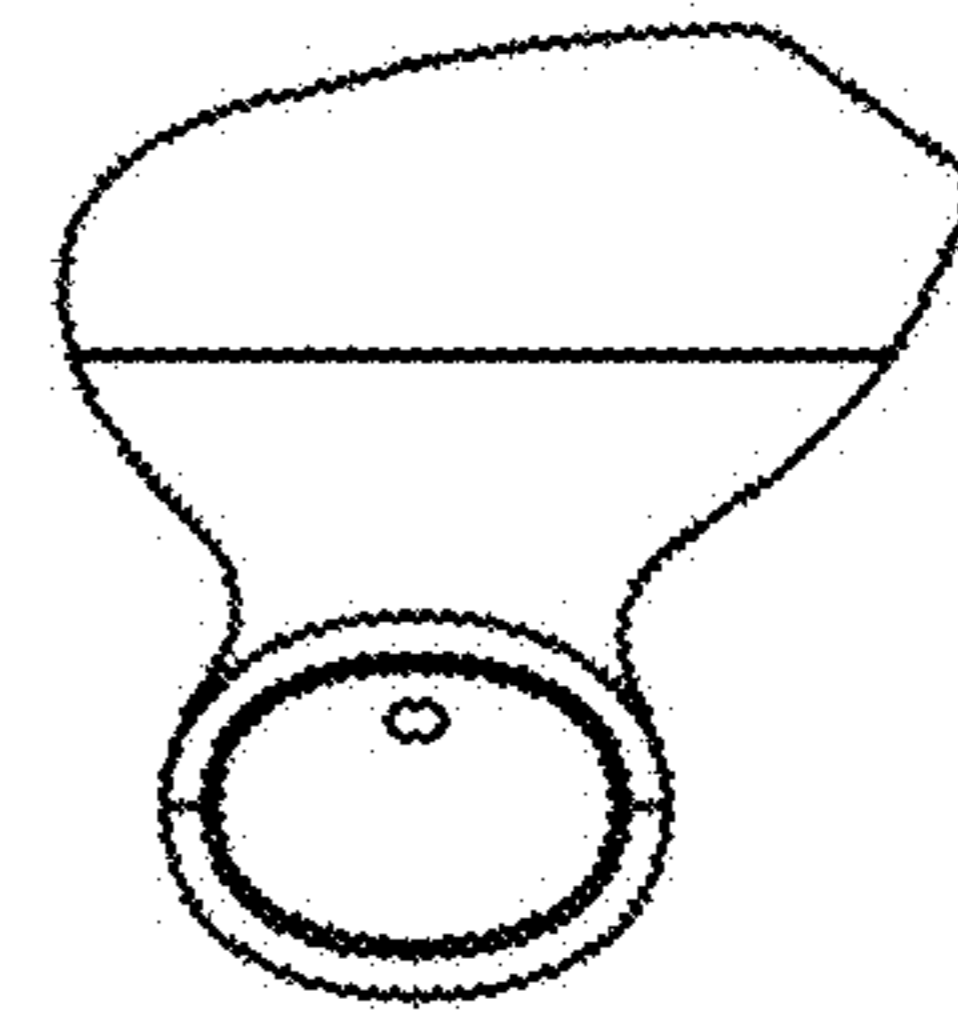
1.20



1.21

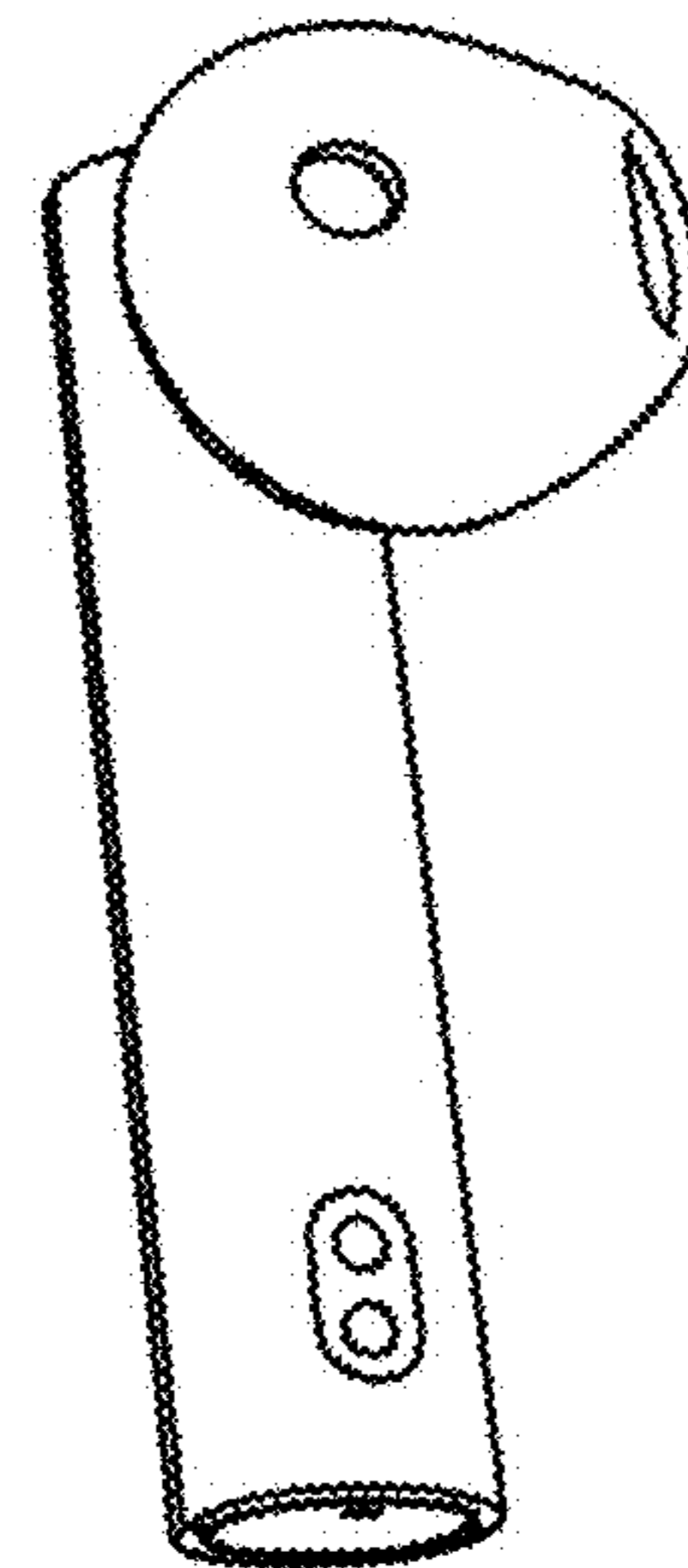


1.22

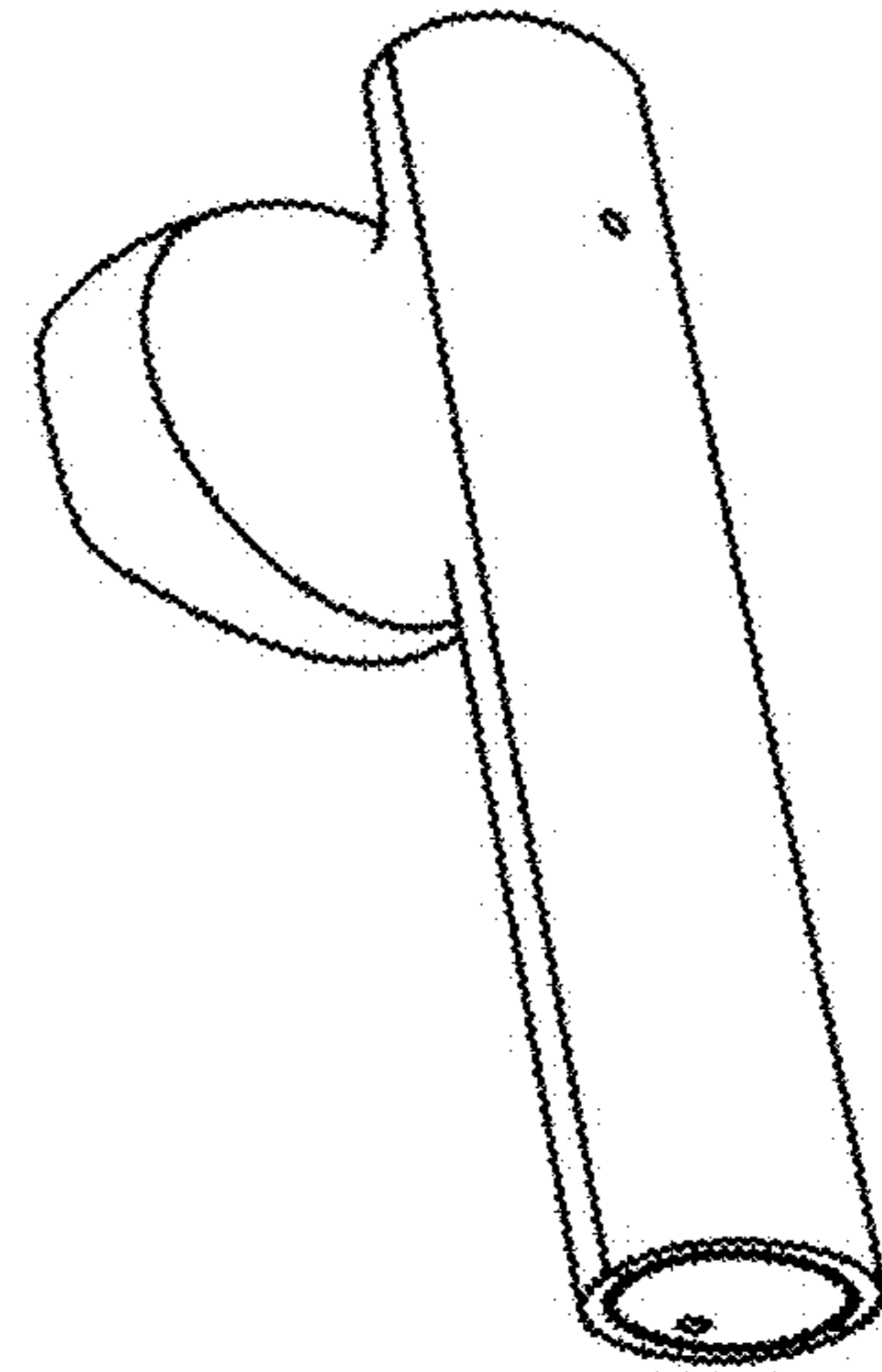




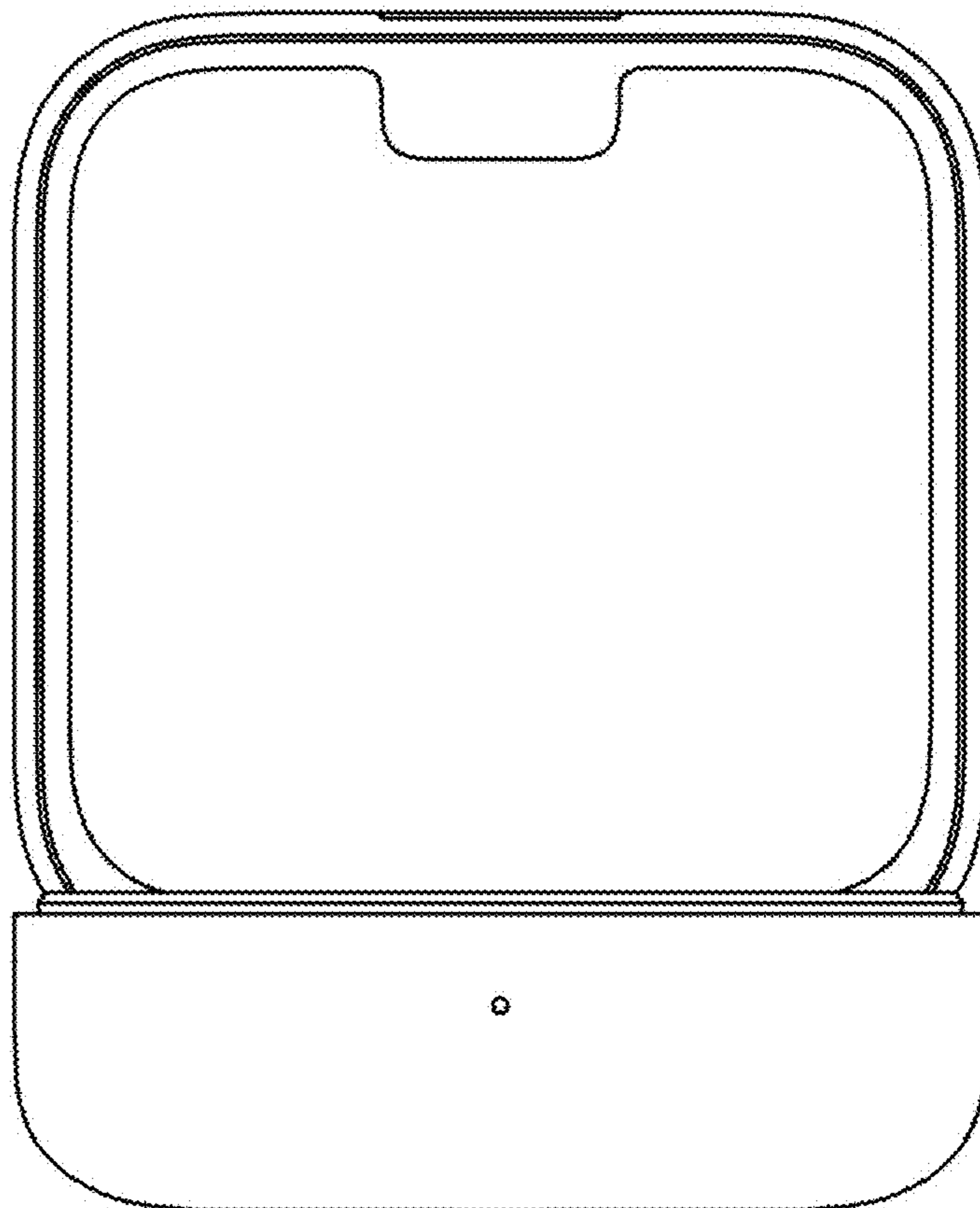
1.23



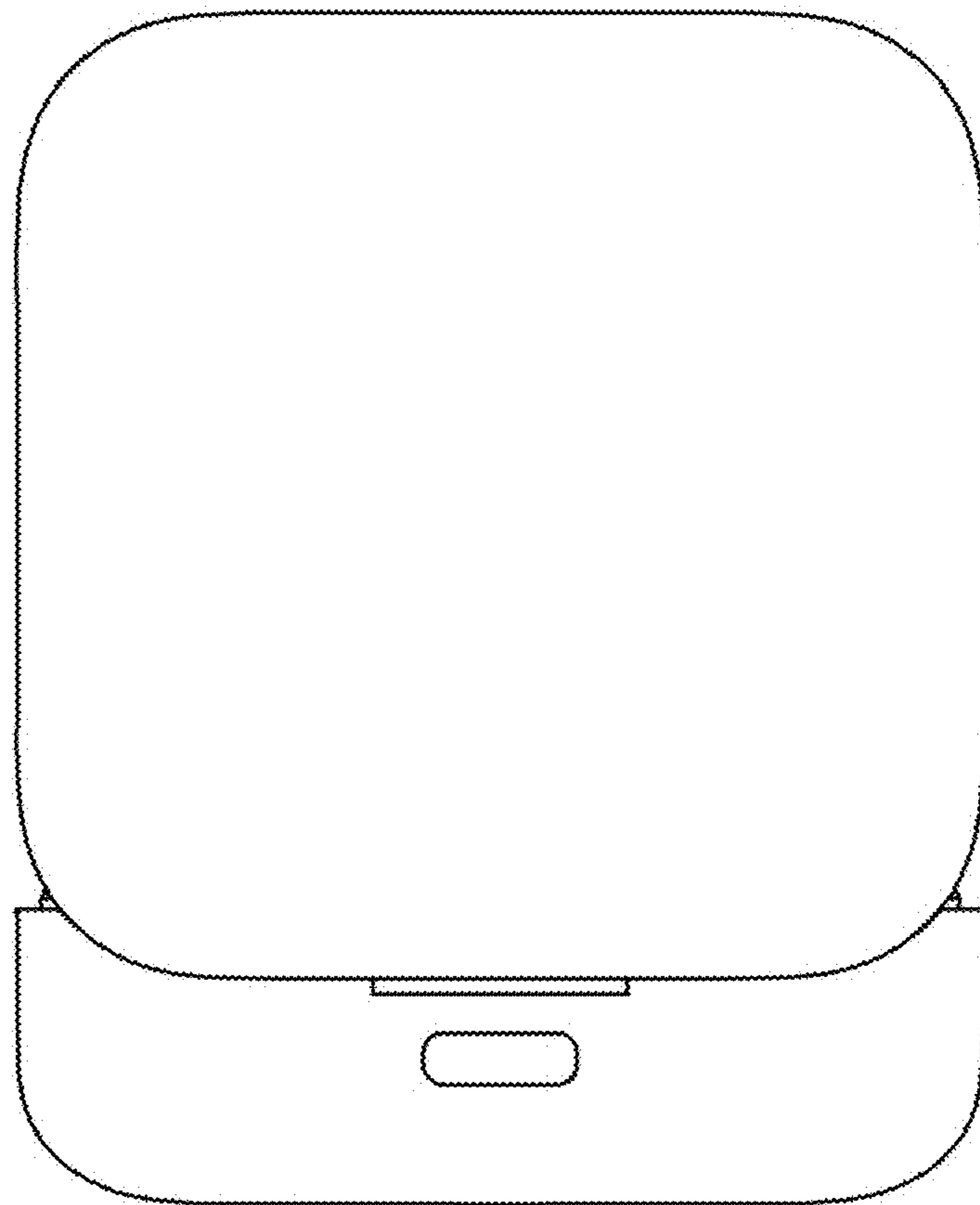
1.24



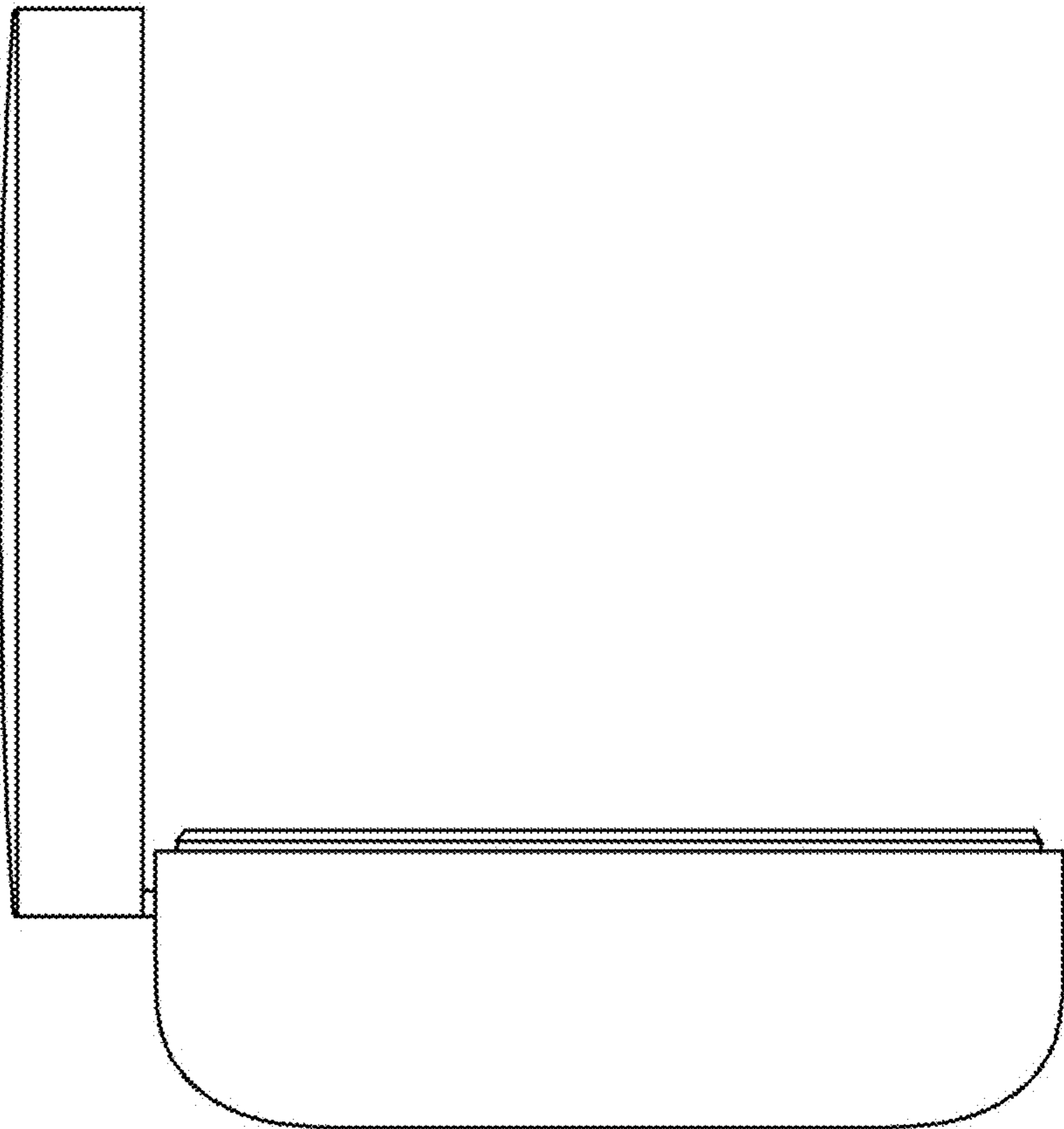
1.25



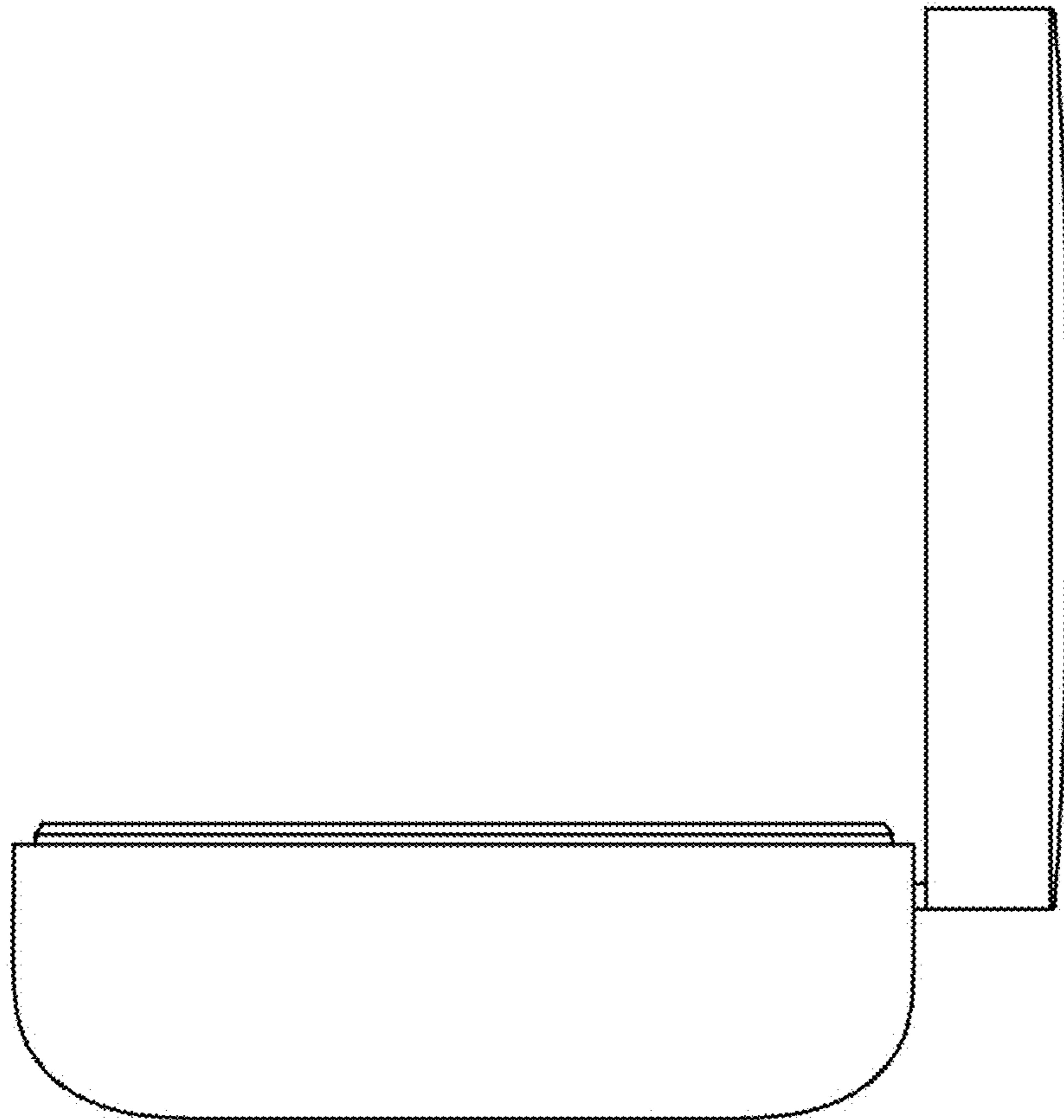
1.26



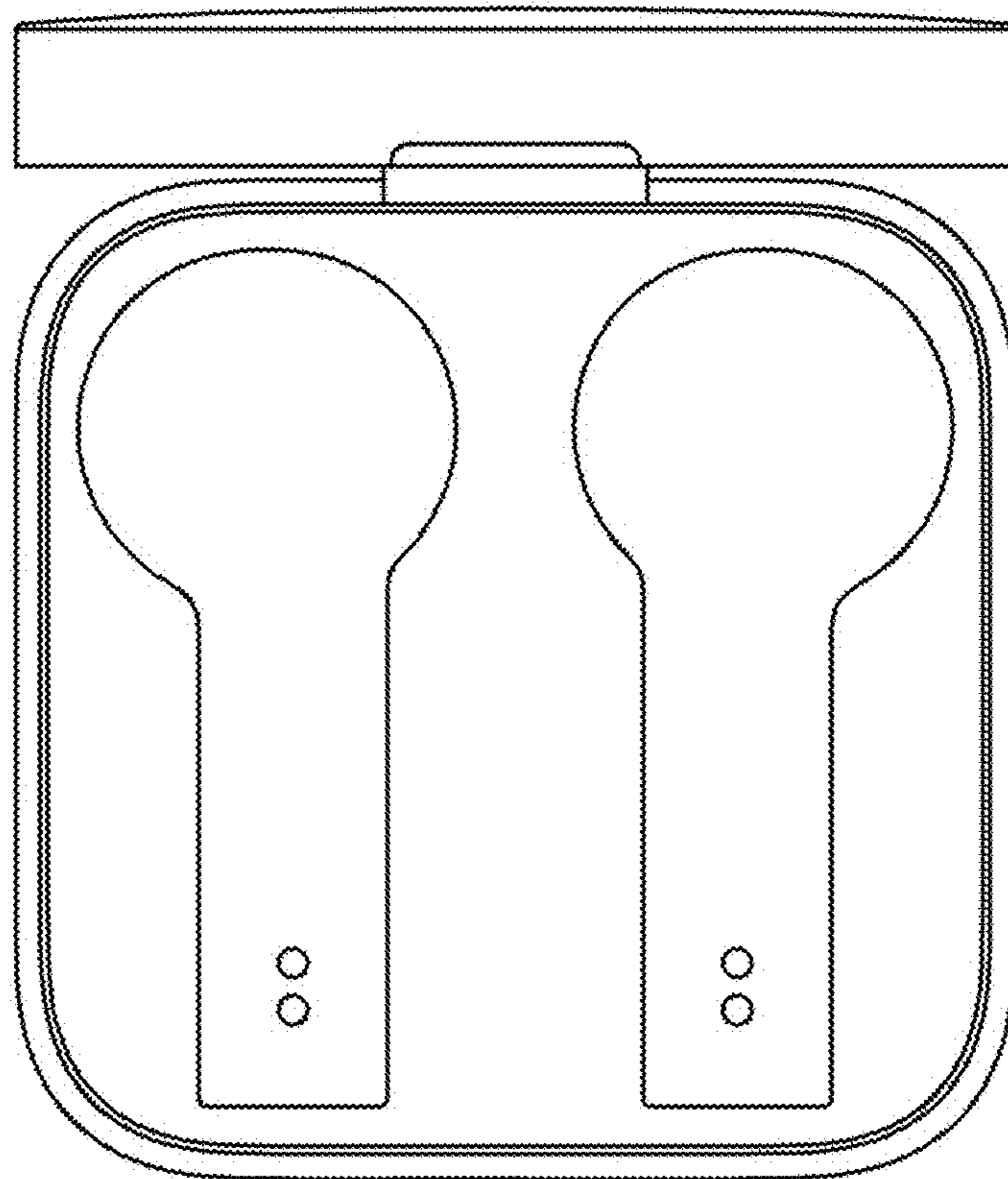
1.27



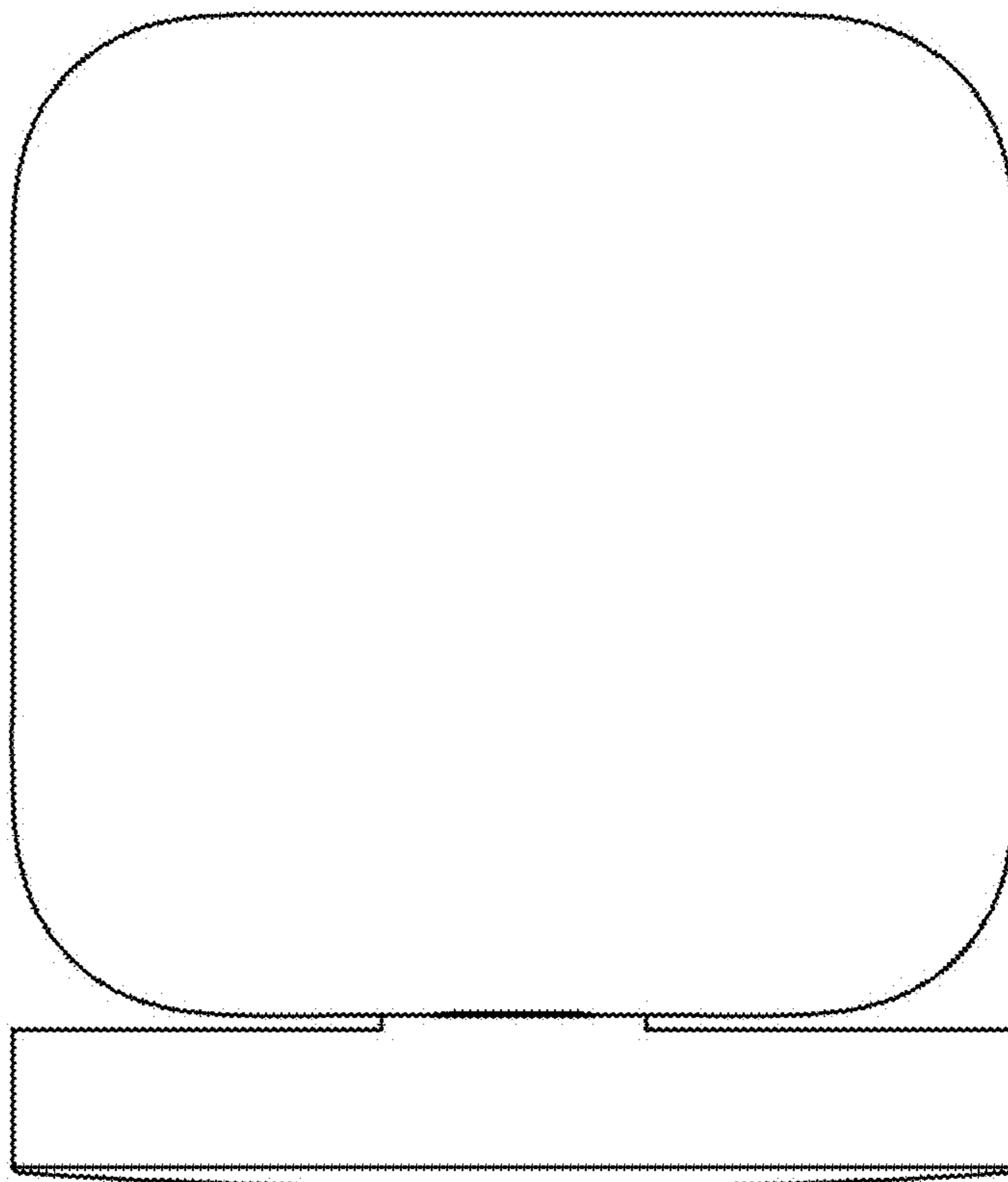
1.28



1.29



1.30

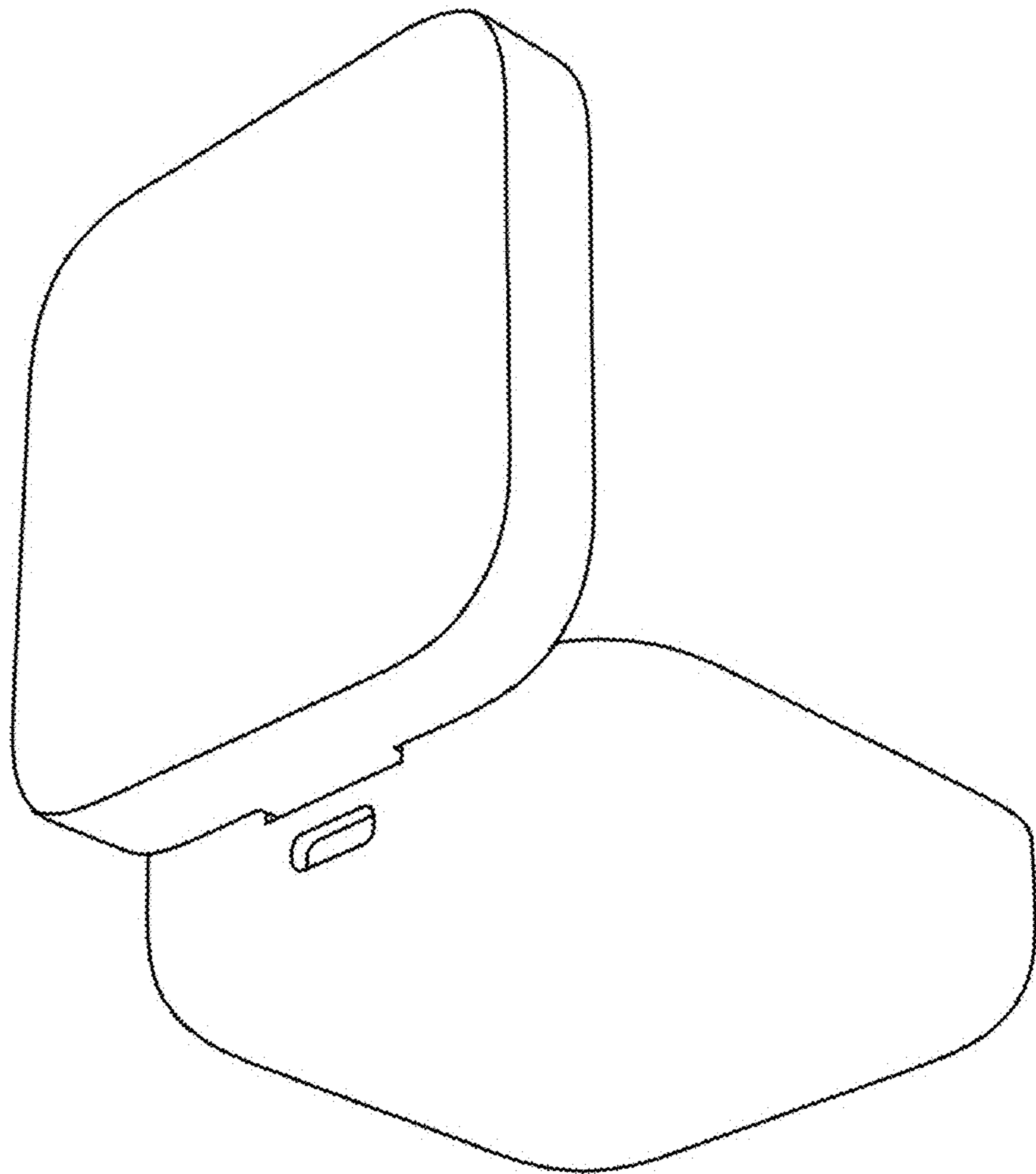




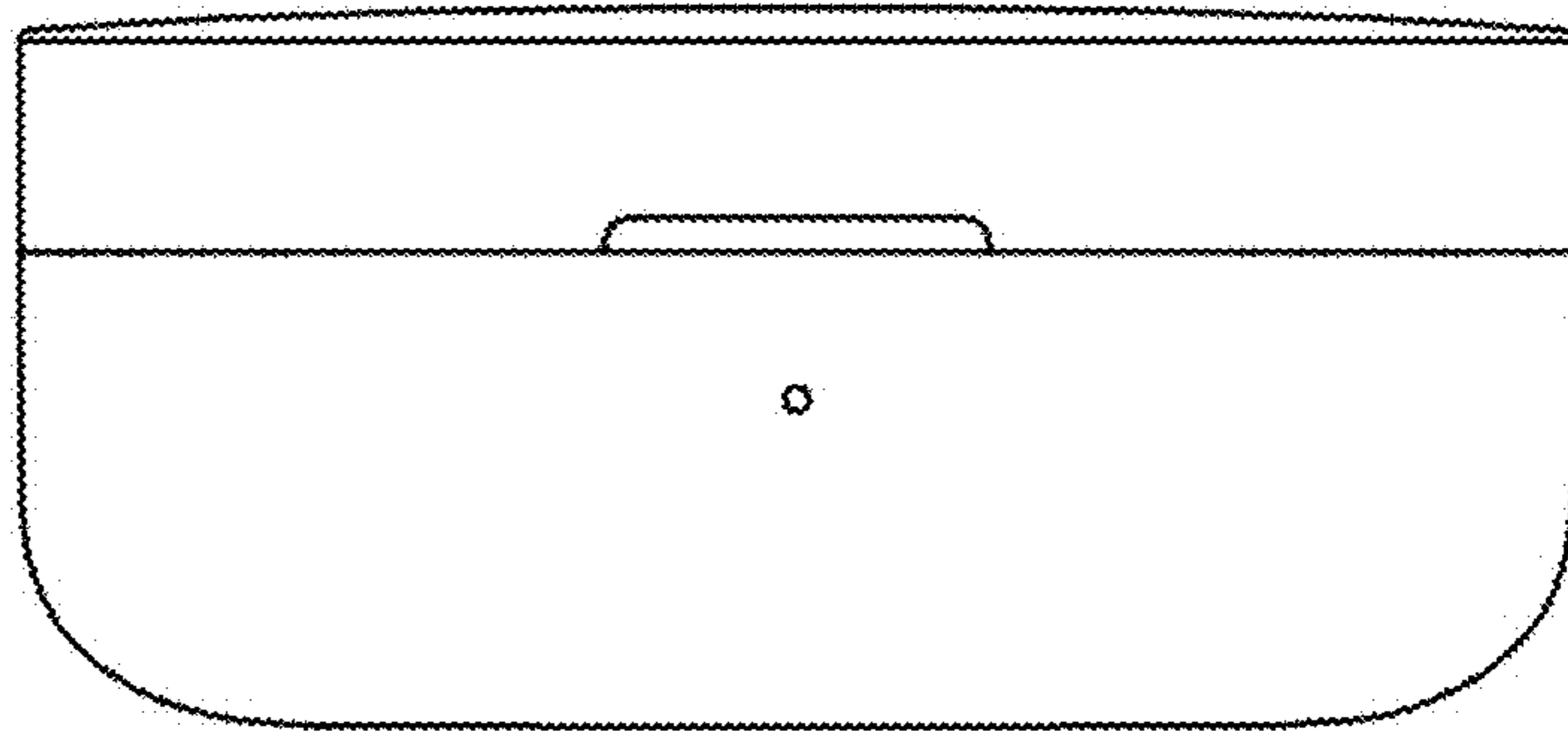
1.31



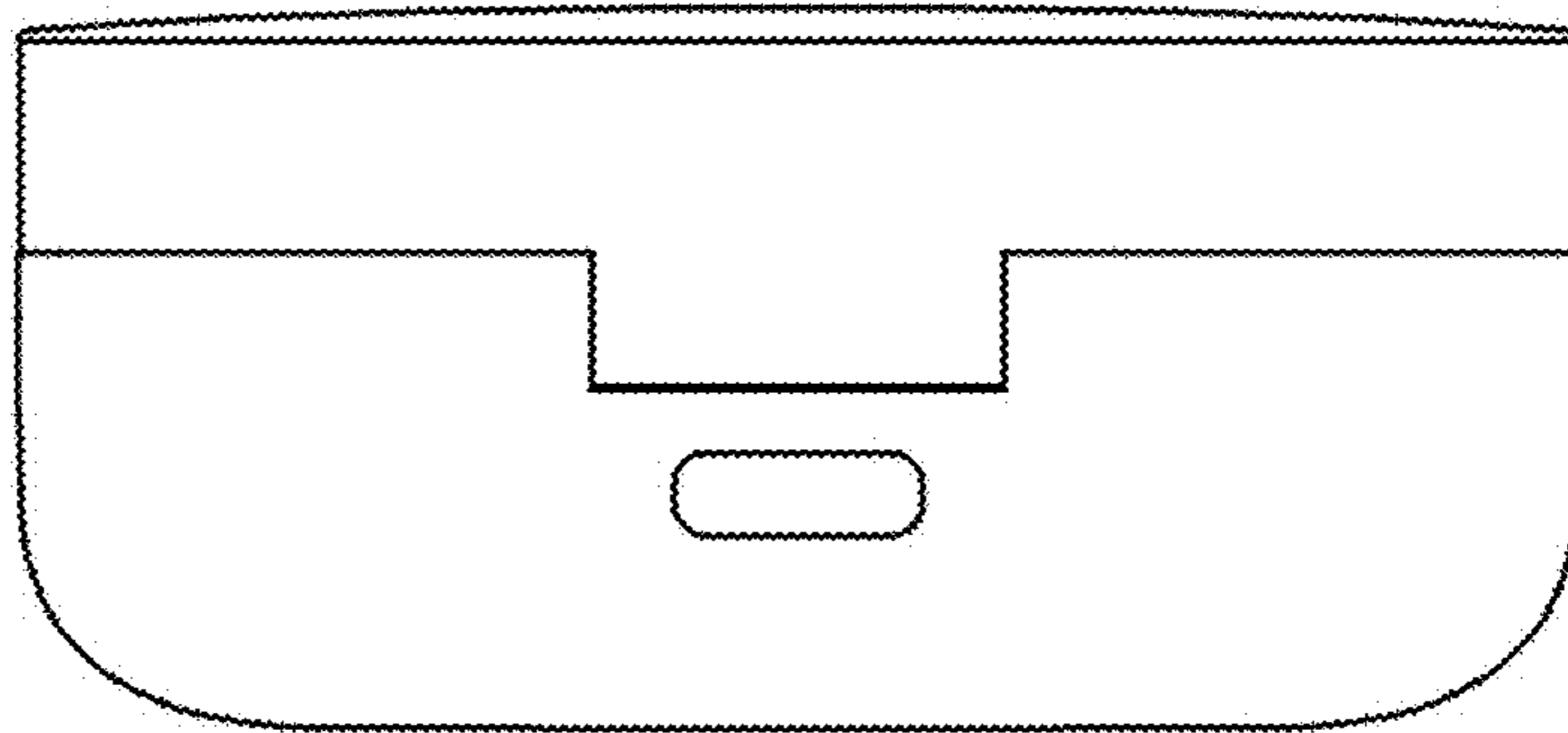
1.32



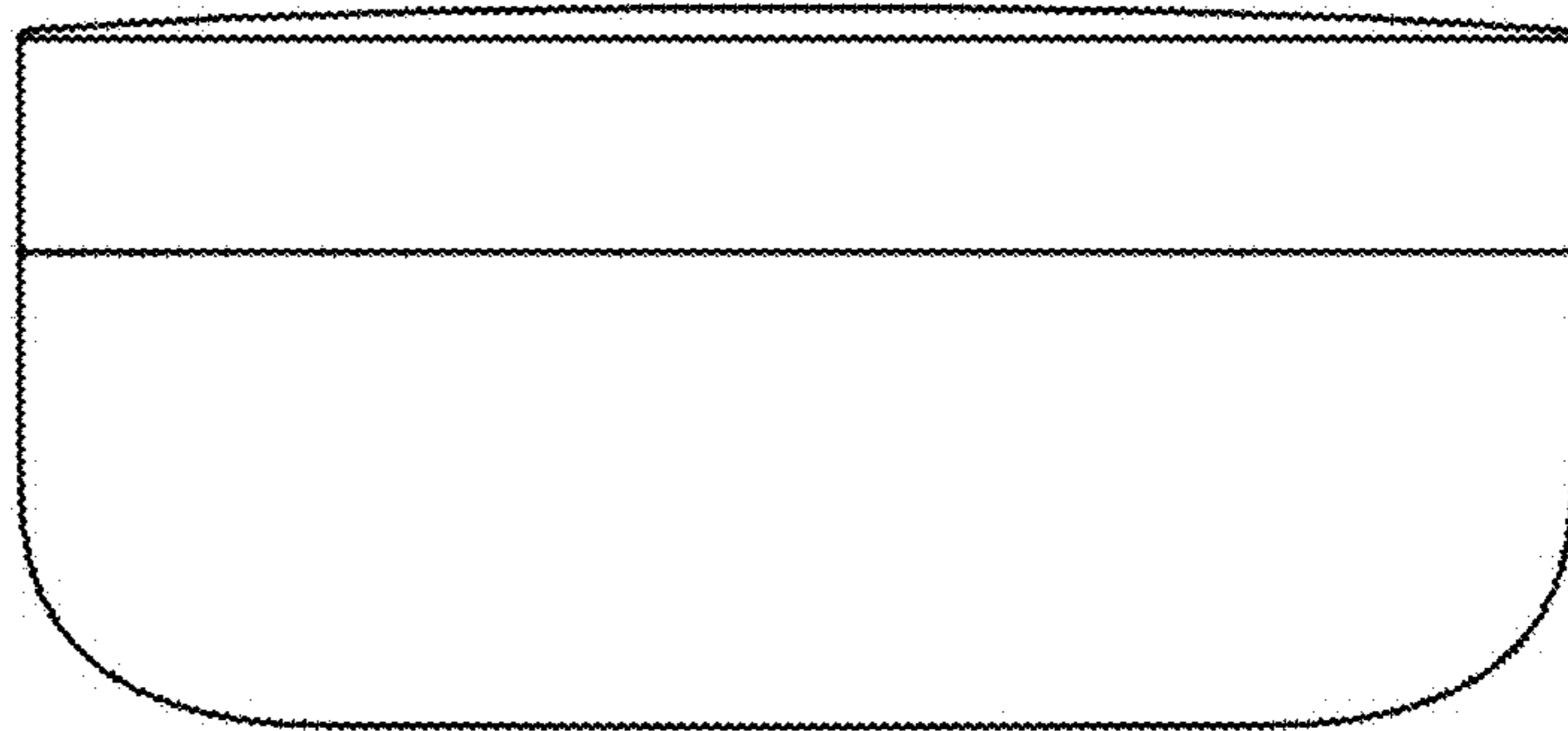
1.33



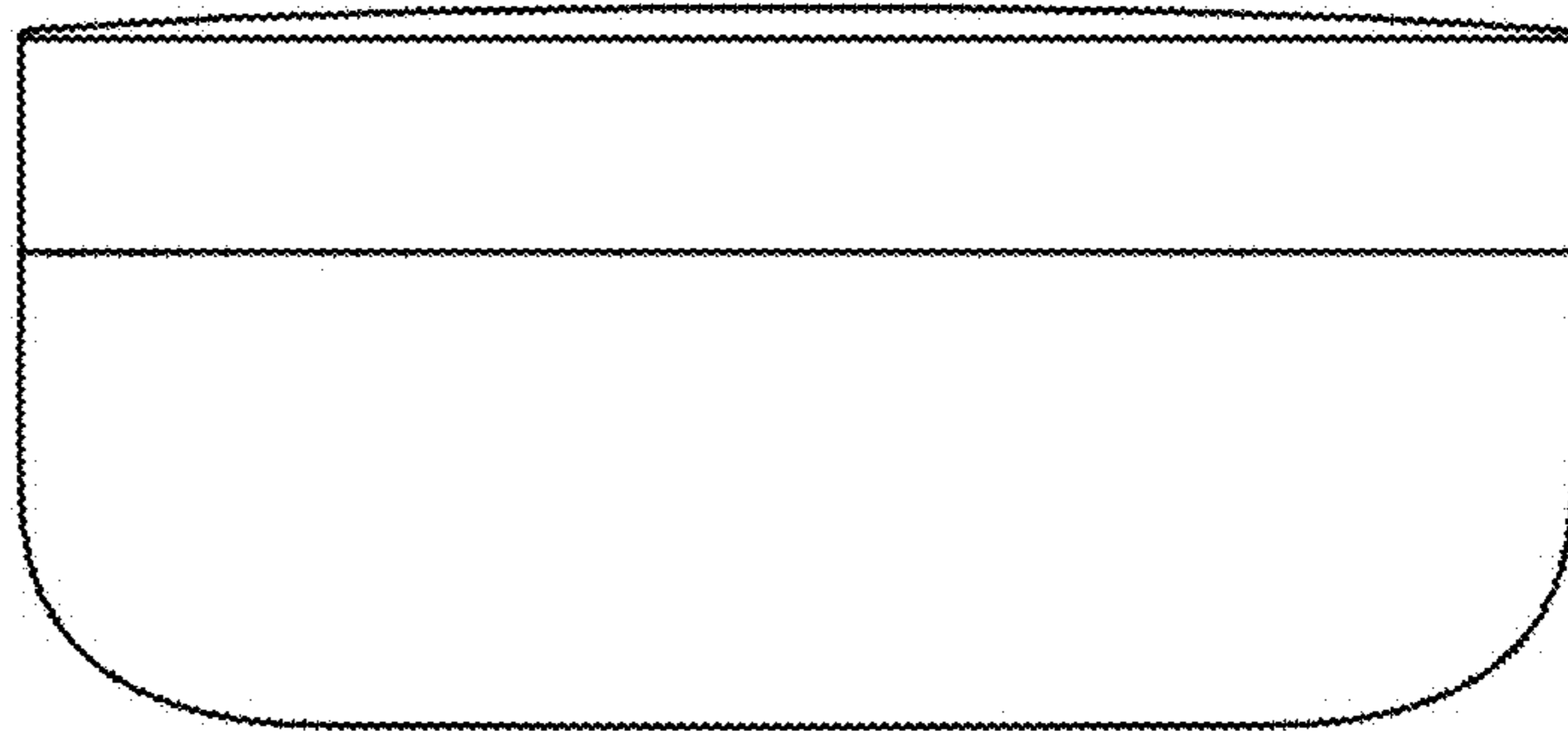
1.34



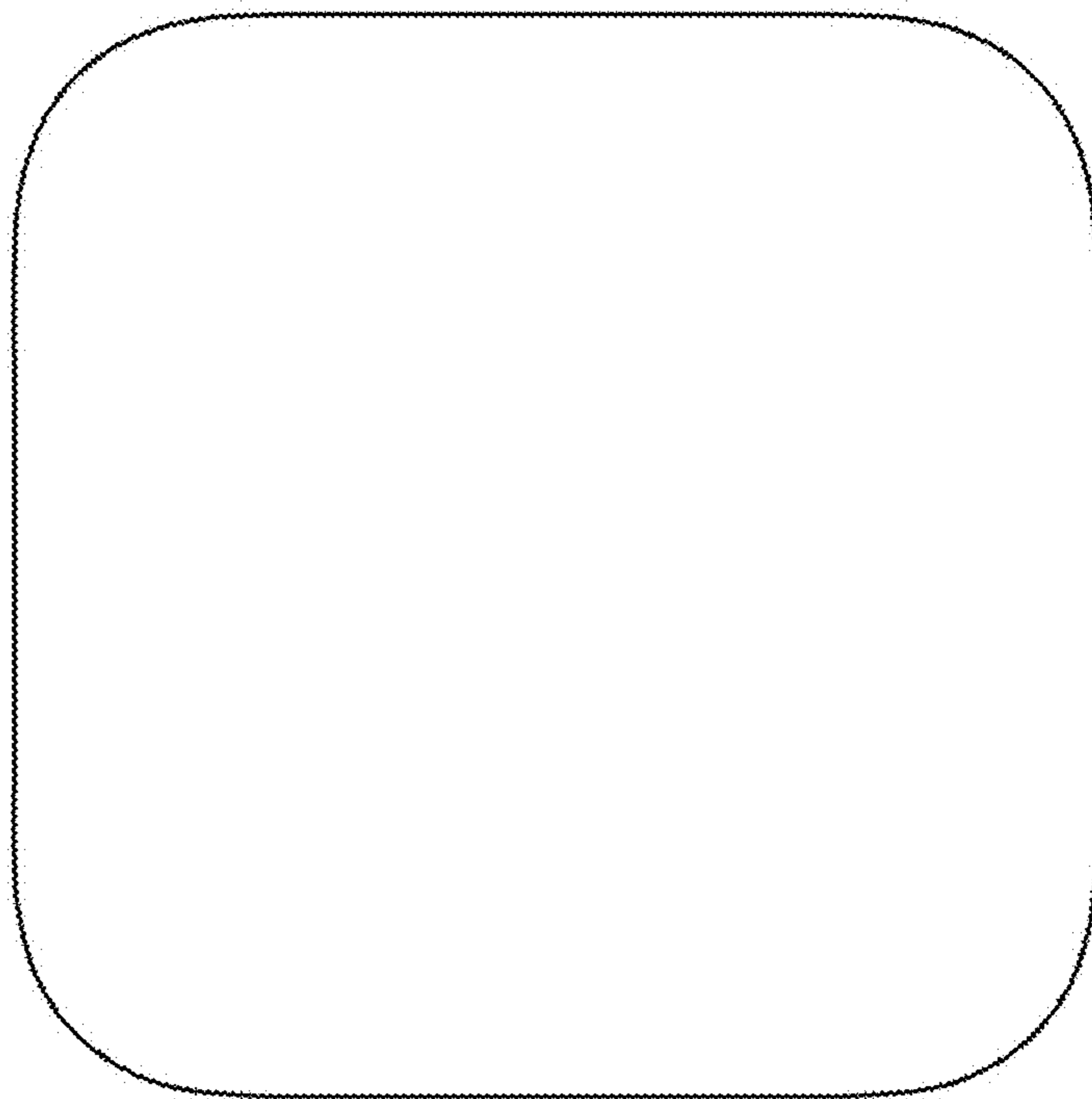
1.35



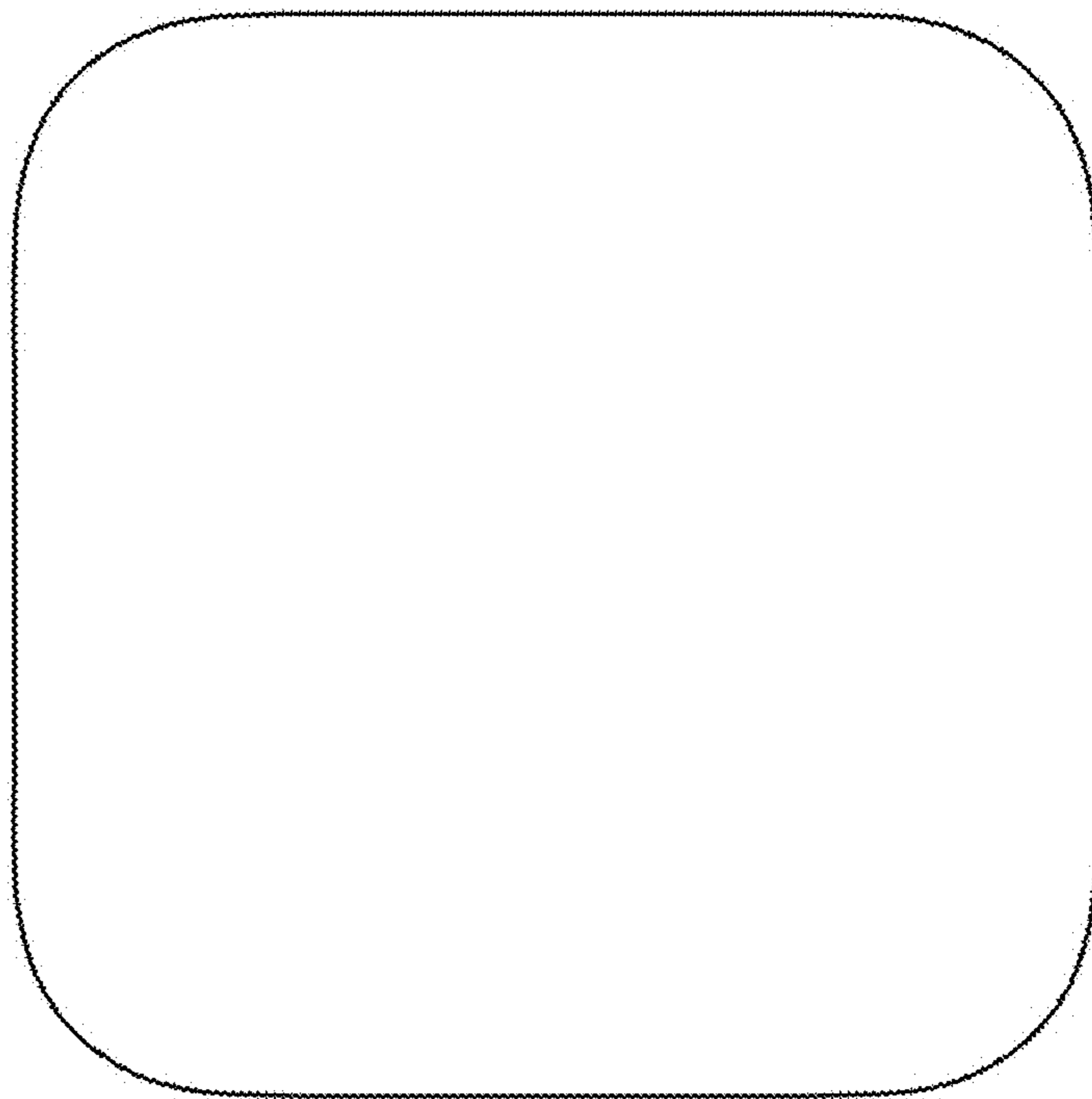
1.36



1.37

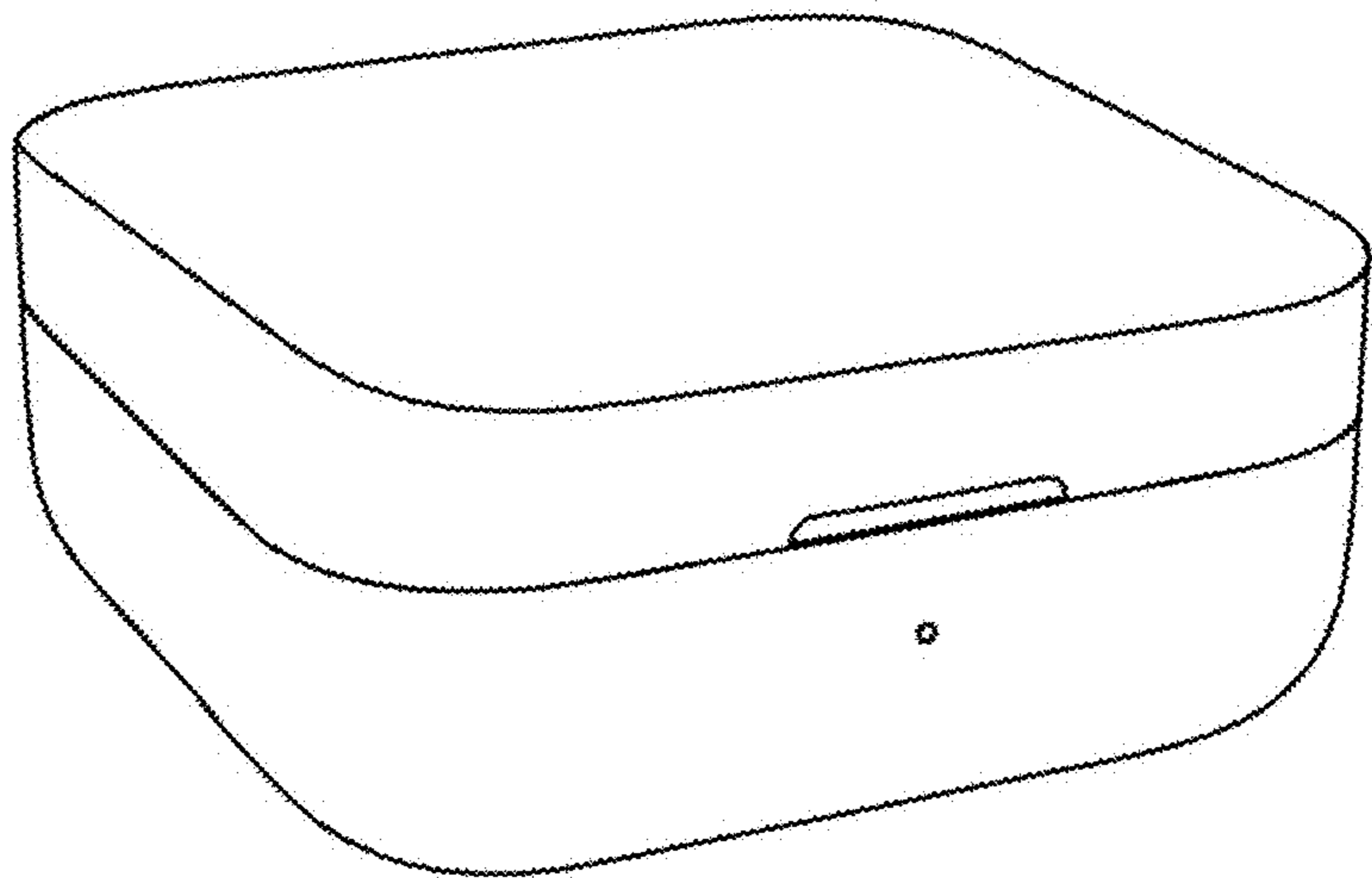


1.38

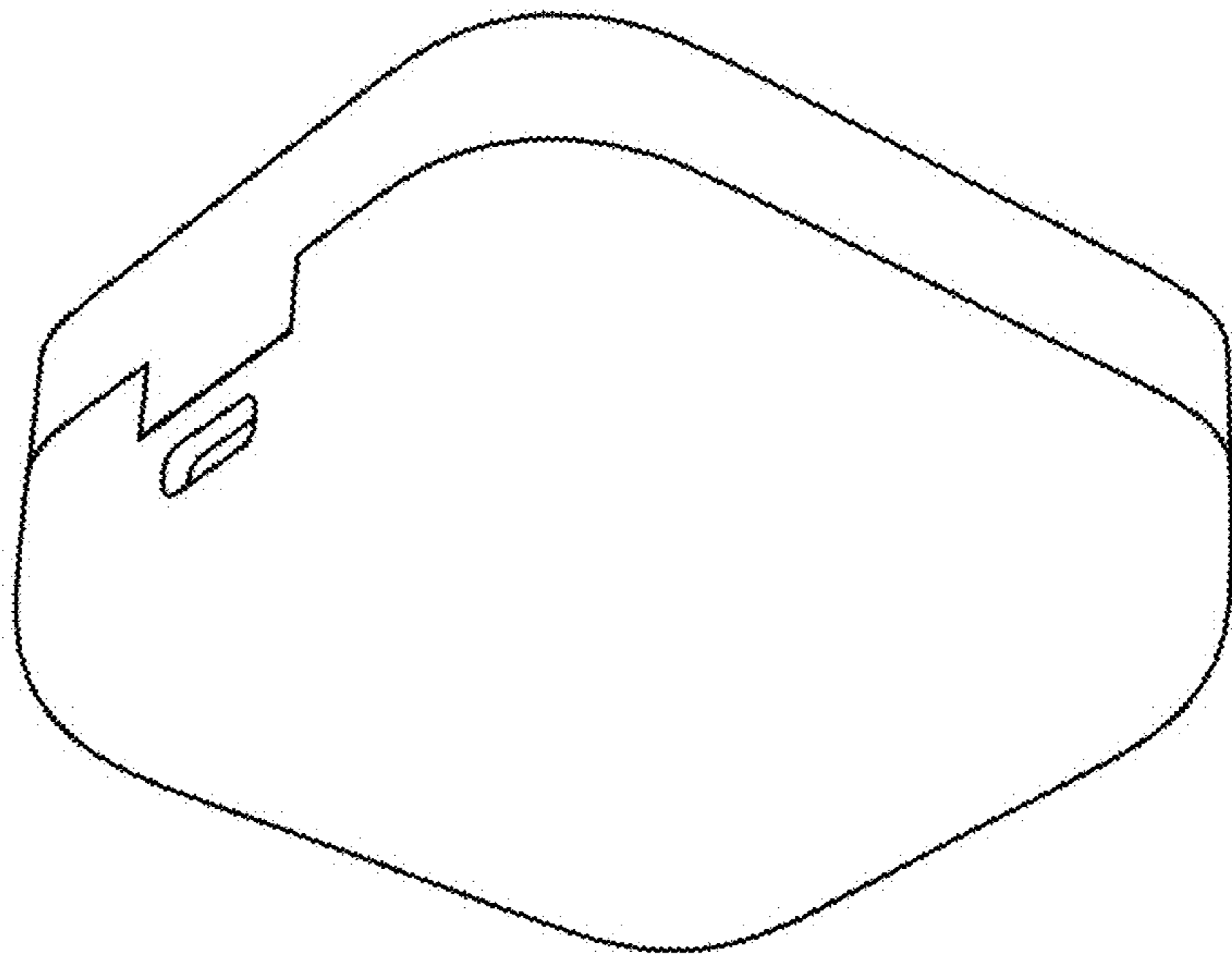




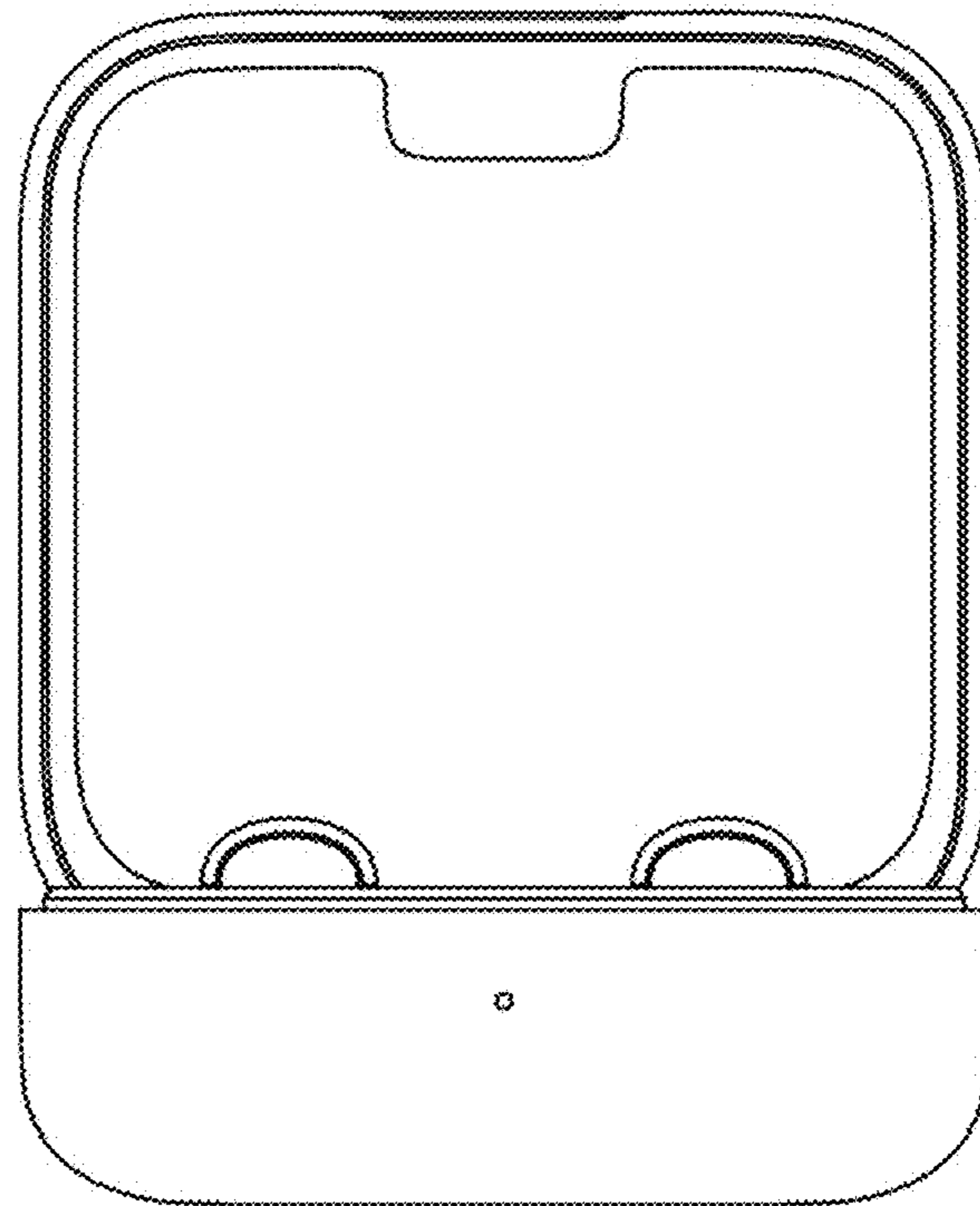
1.39



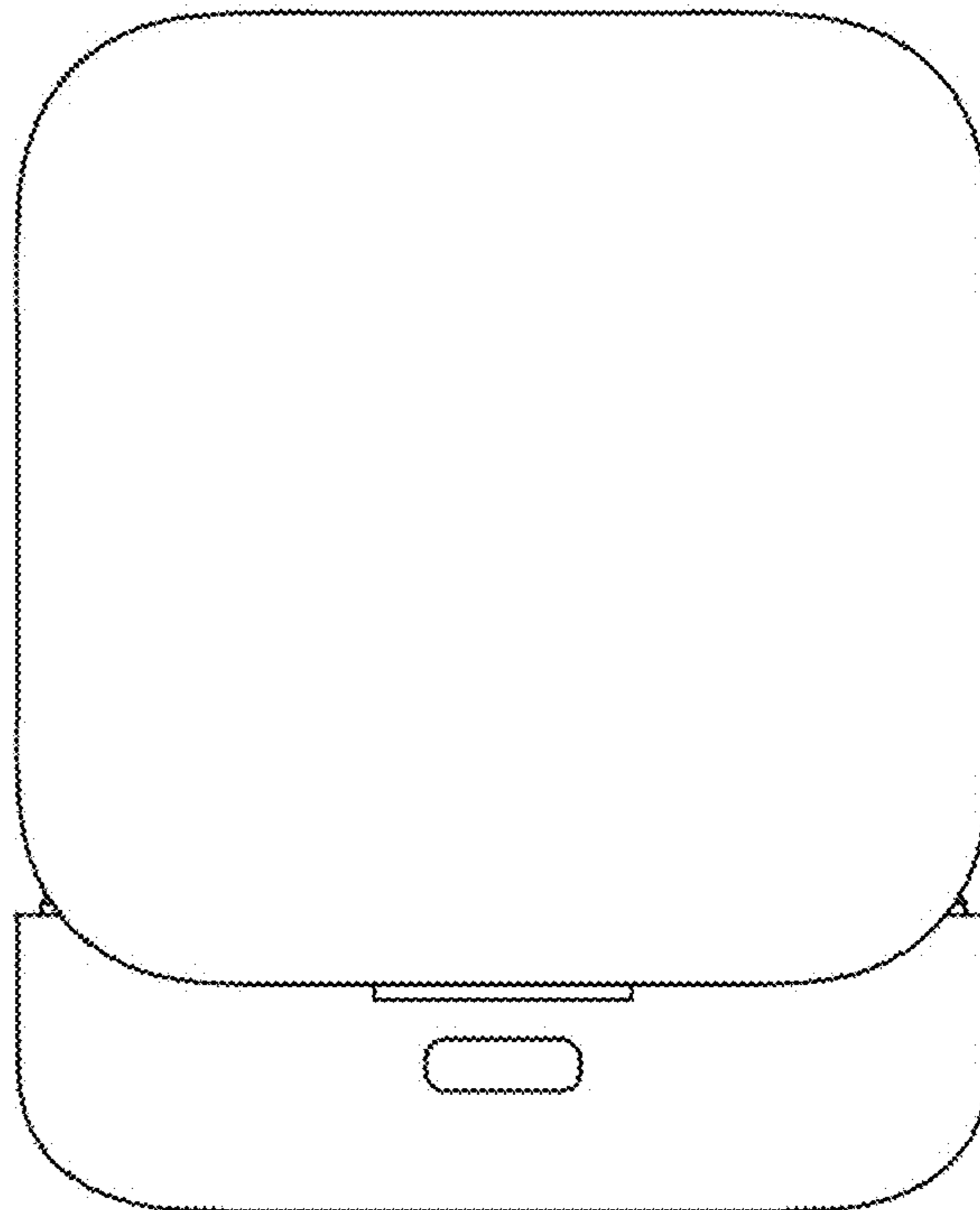
1.40



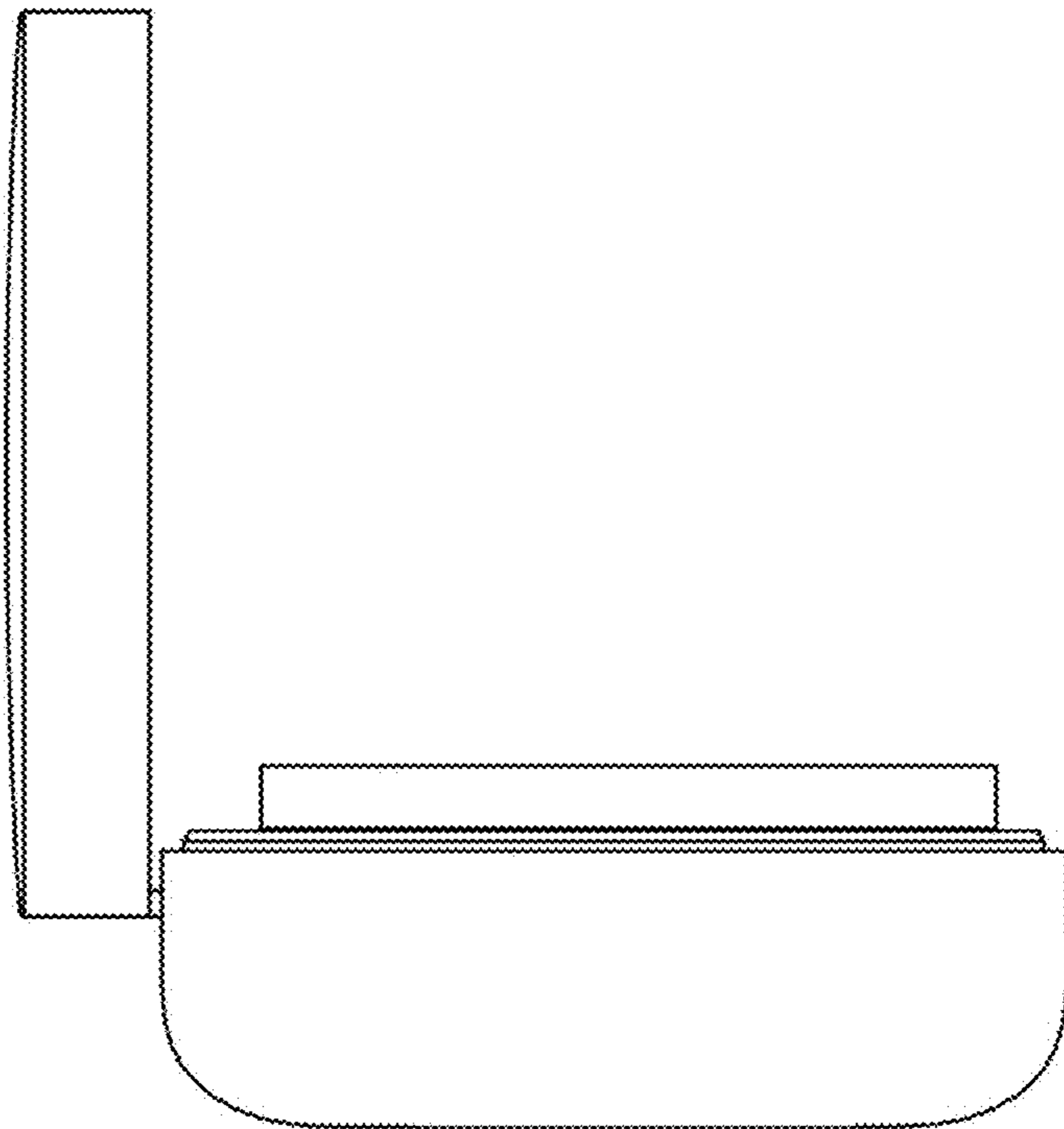
2.1



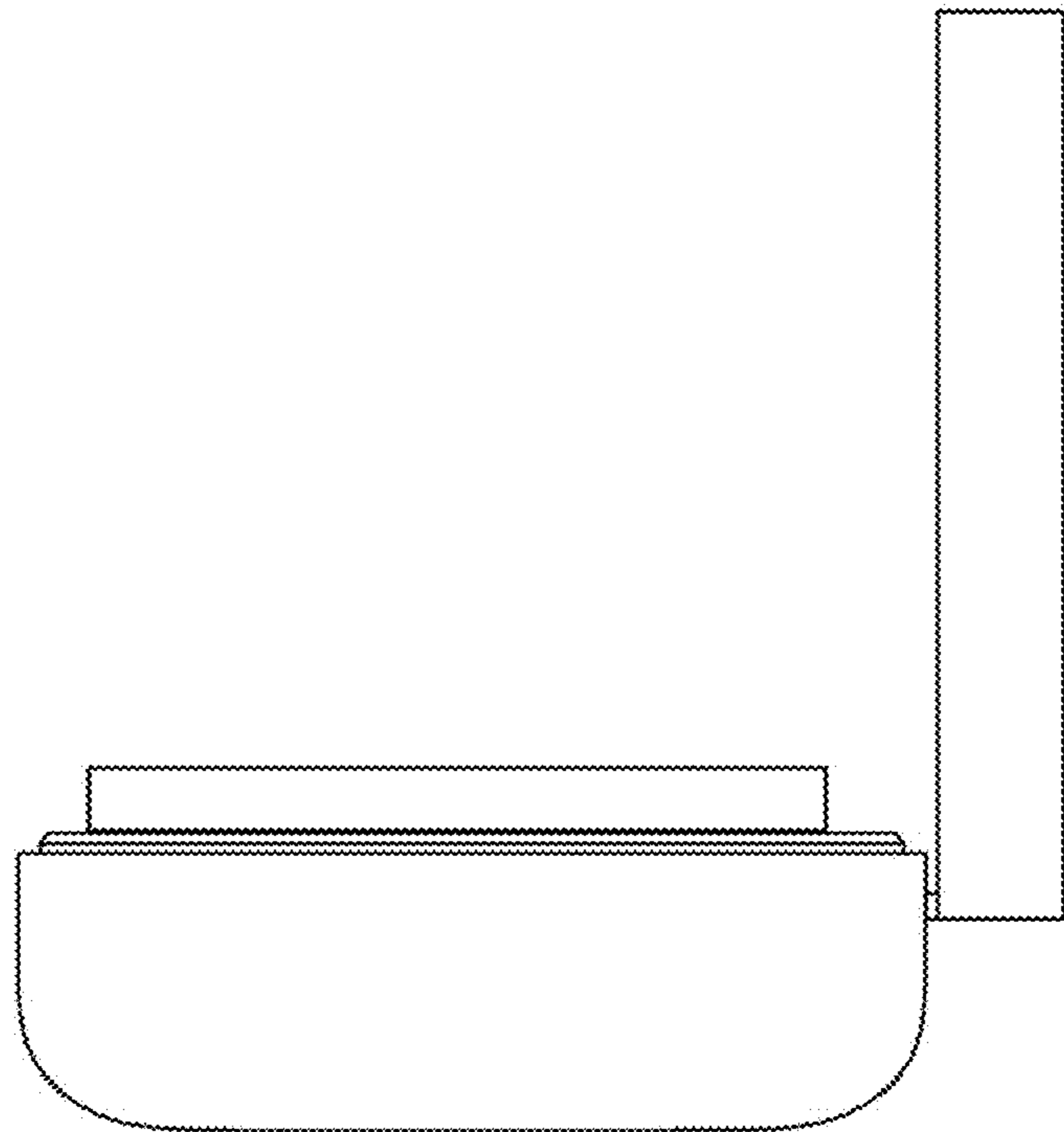
2.2



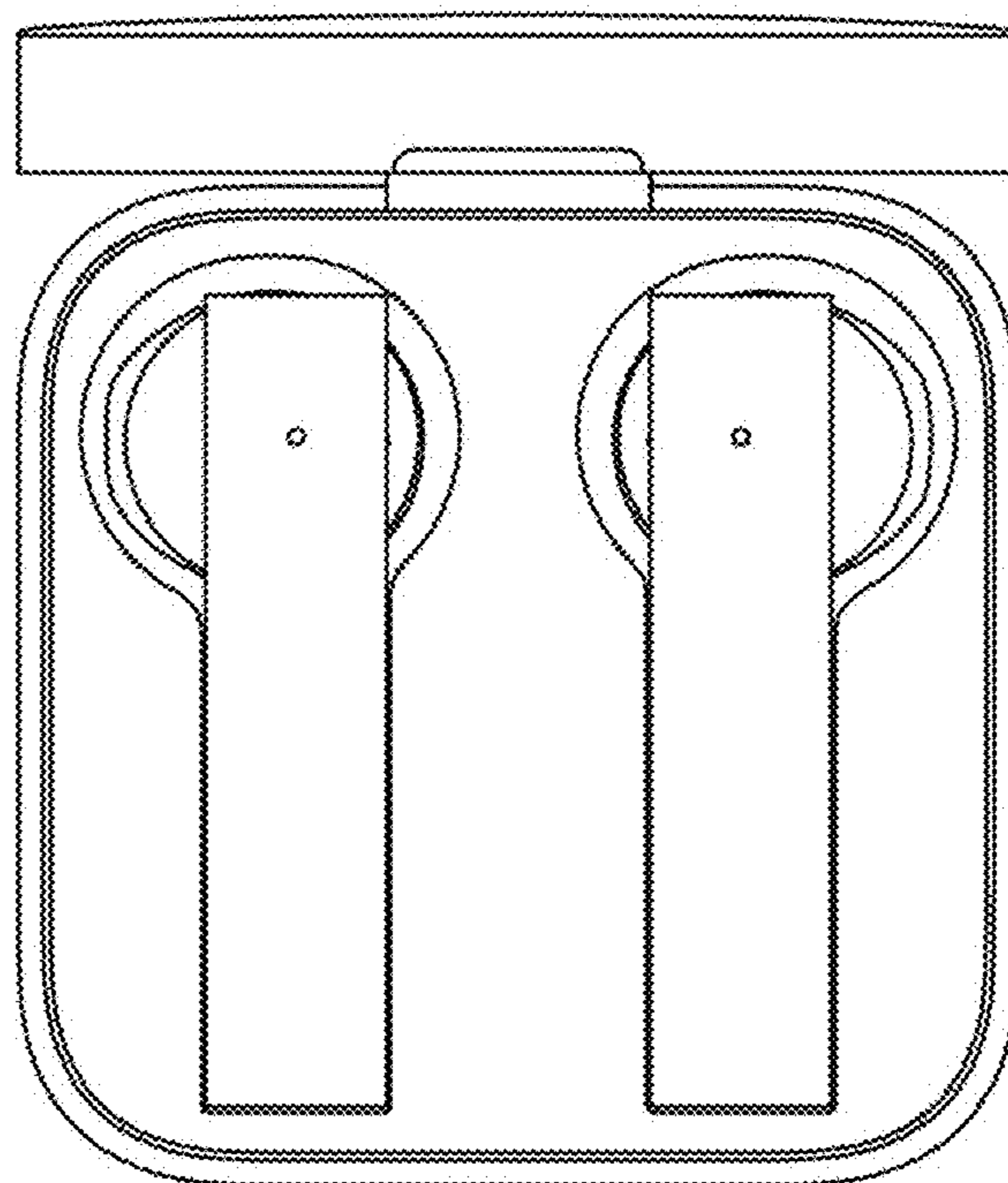
2.3



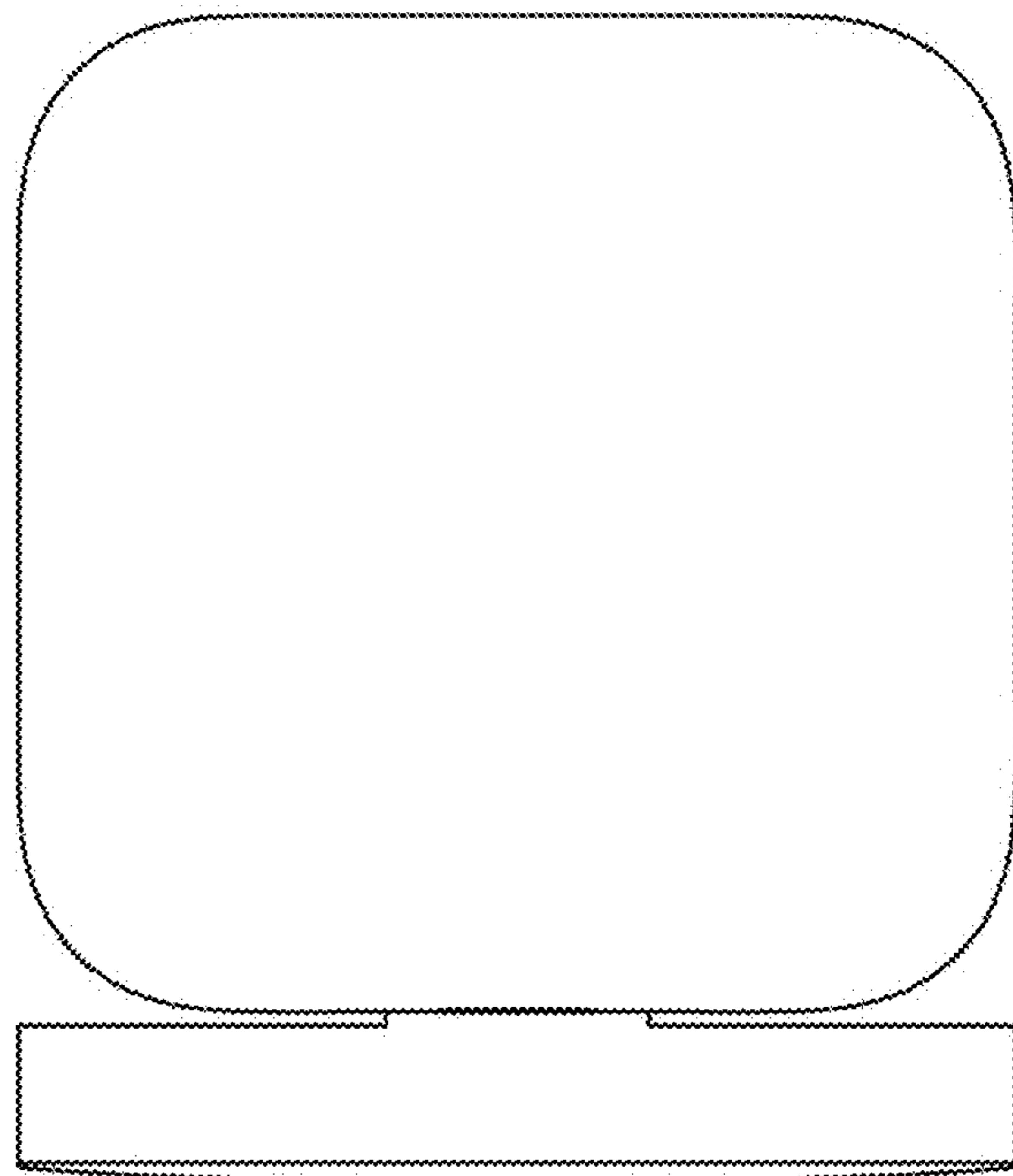
2.4



2.5

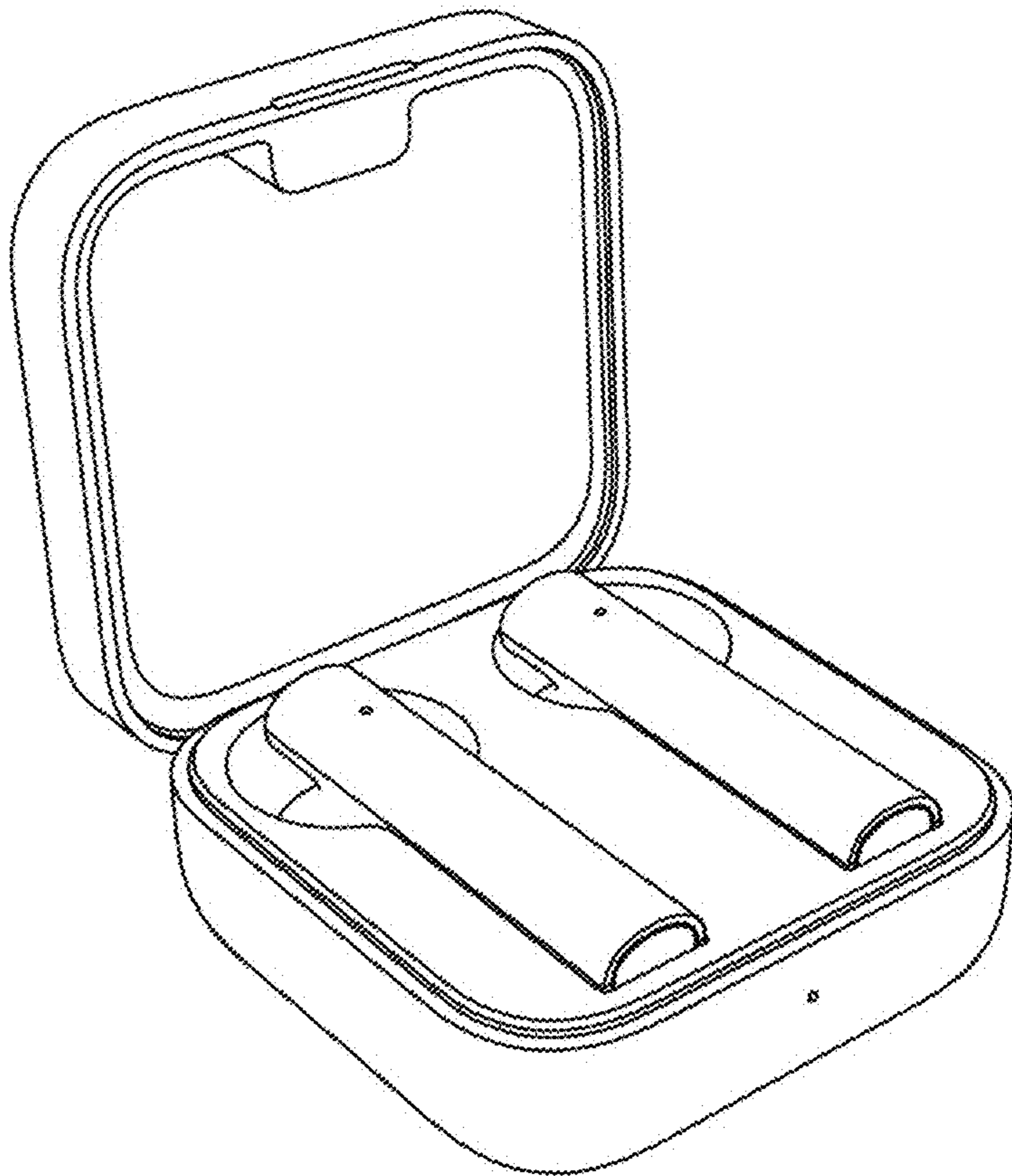


2.6

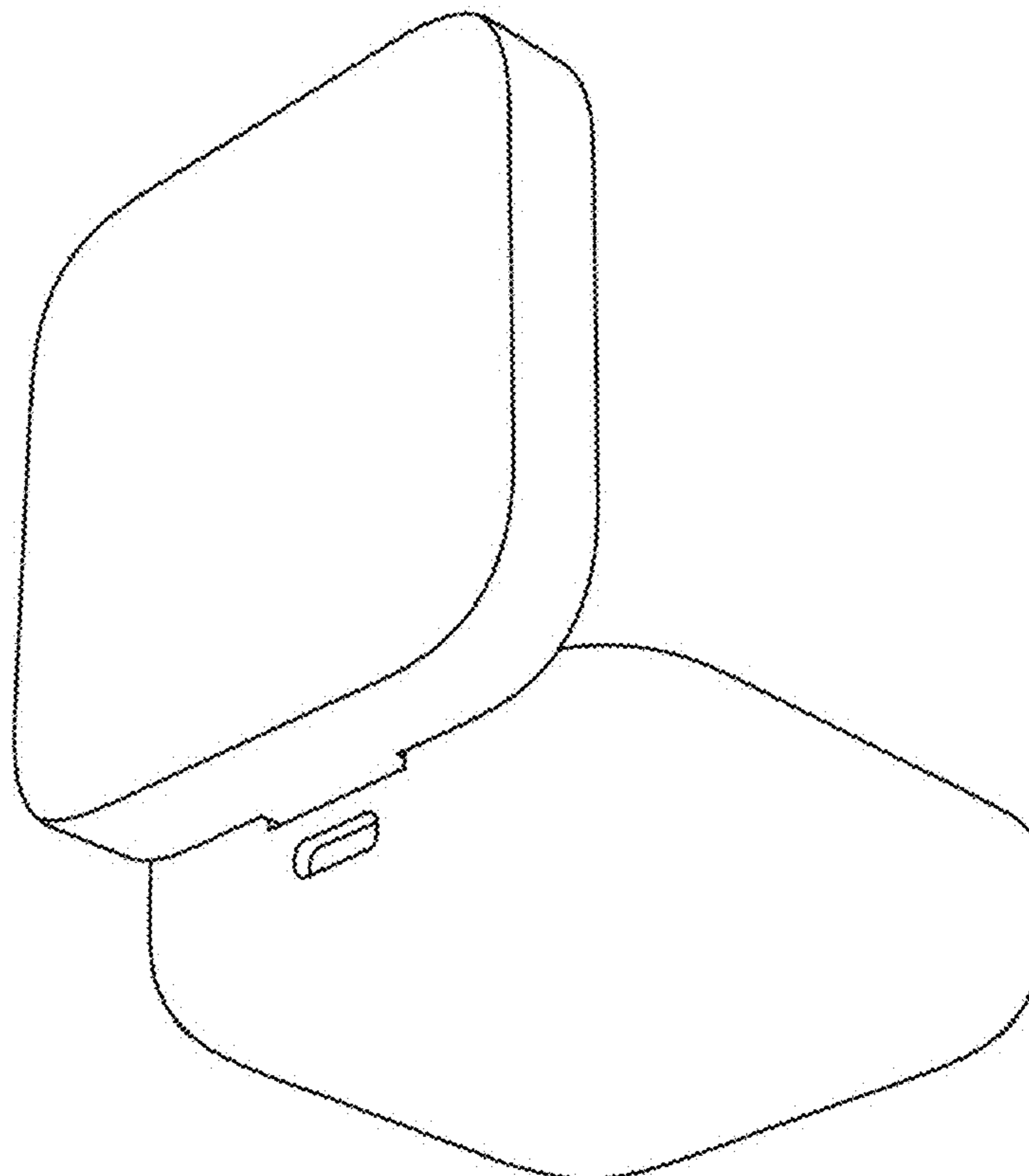




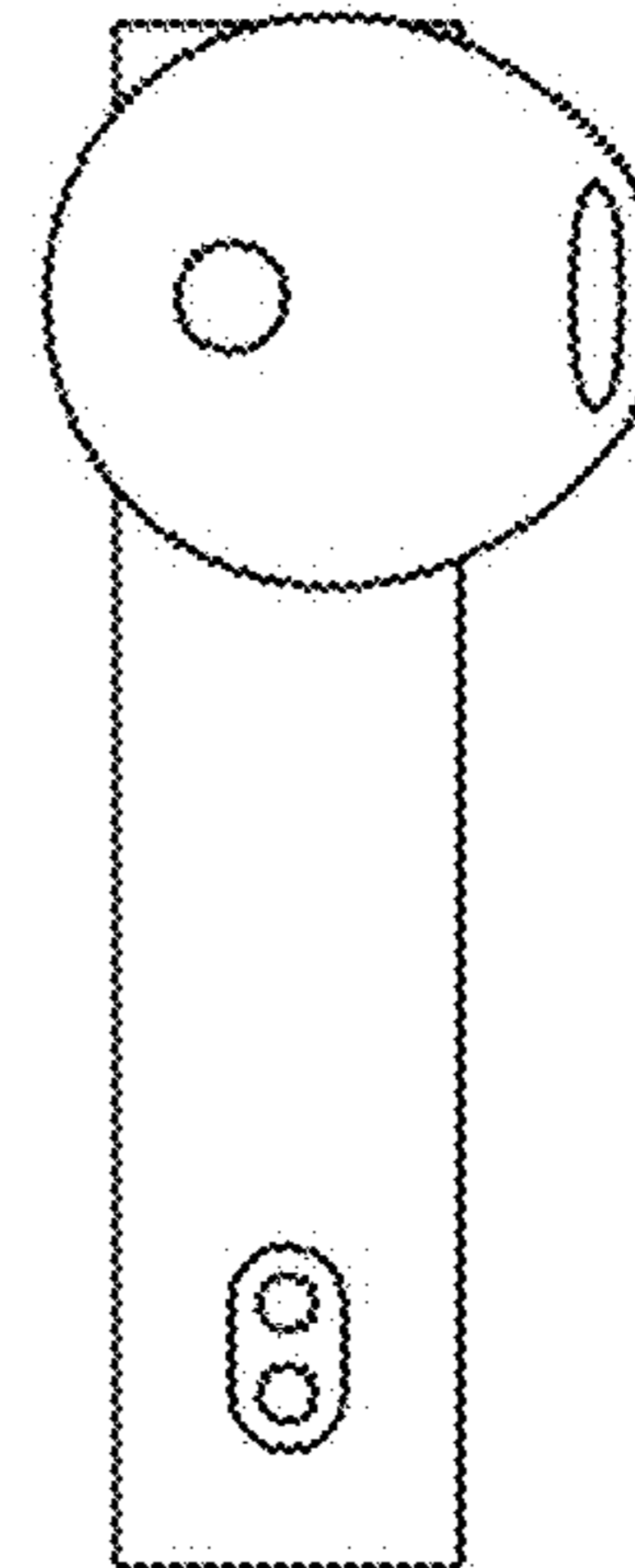
2.7



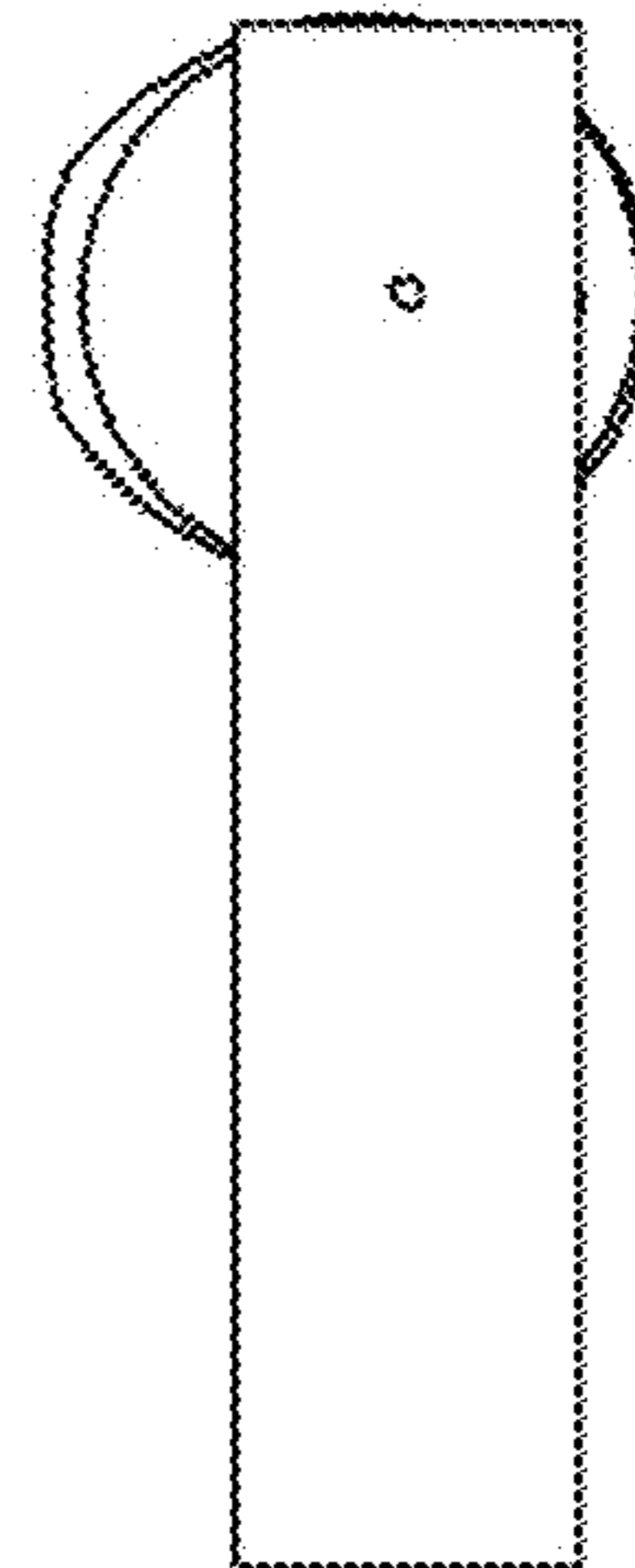
2.8



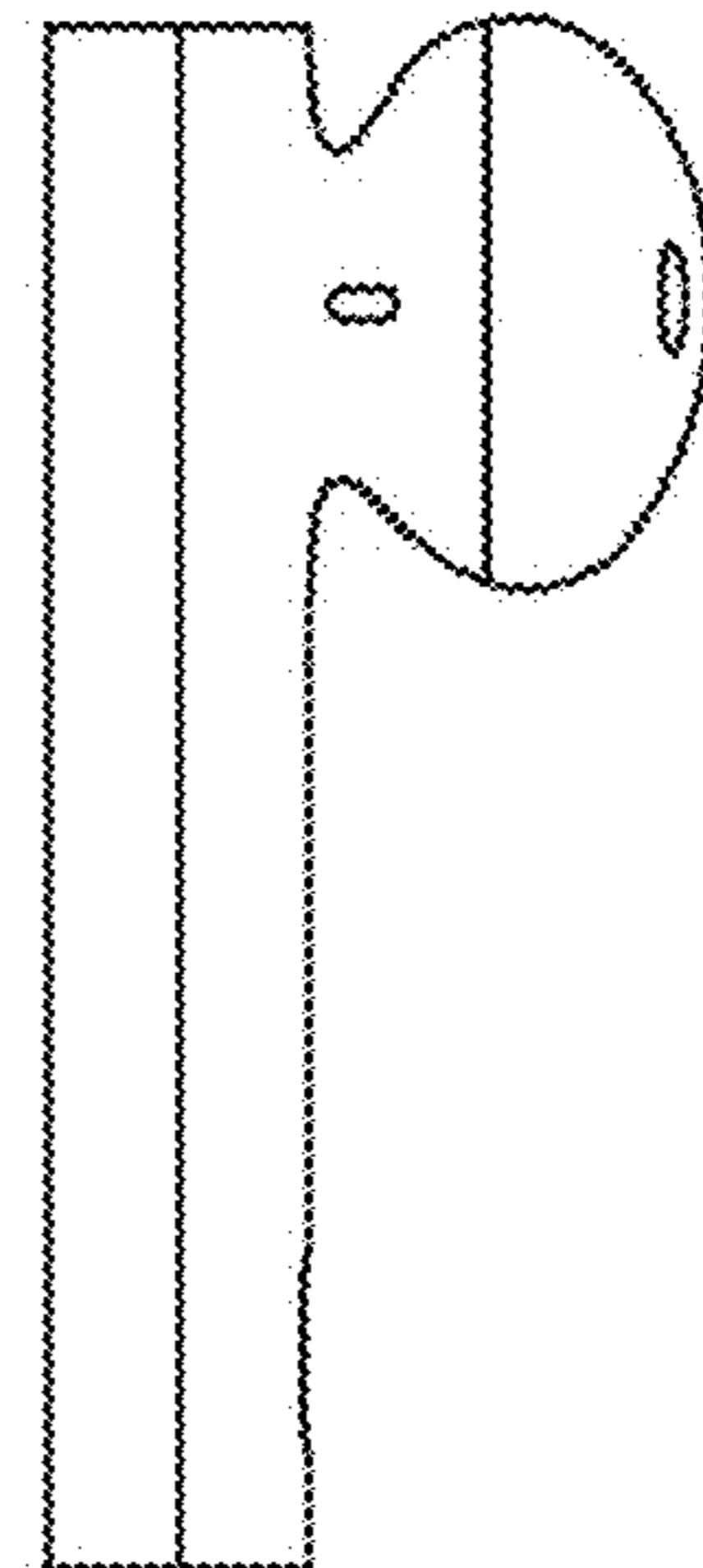
2.9



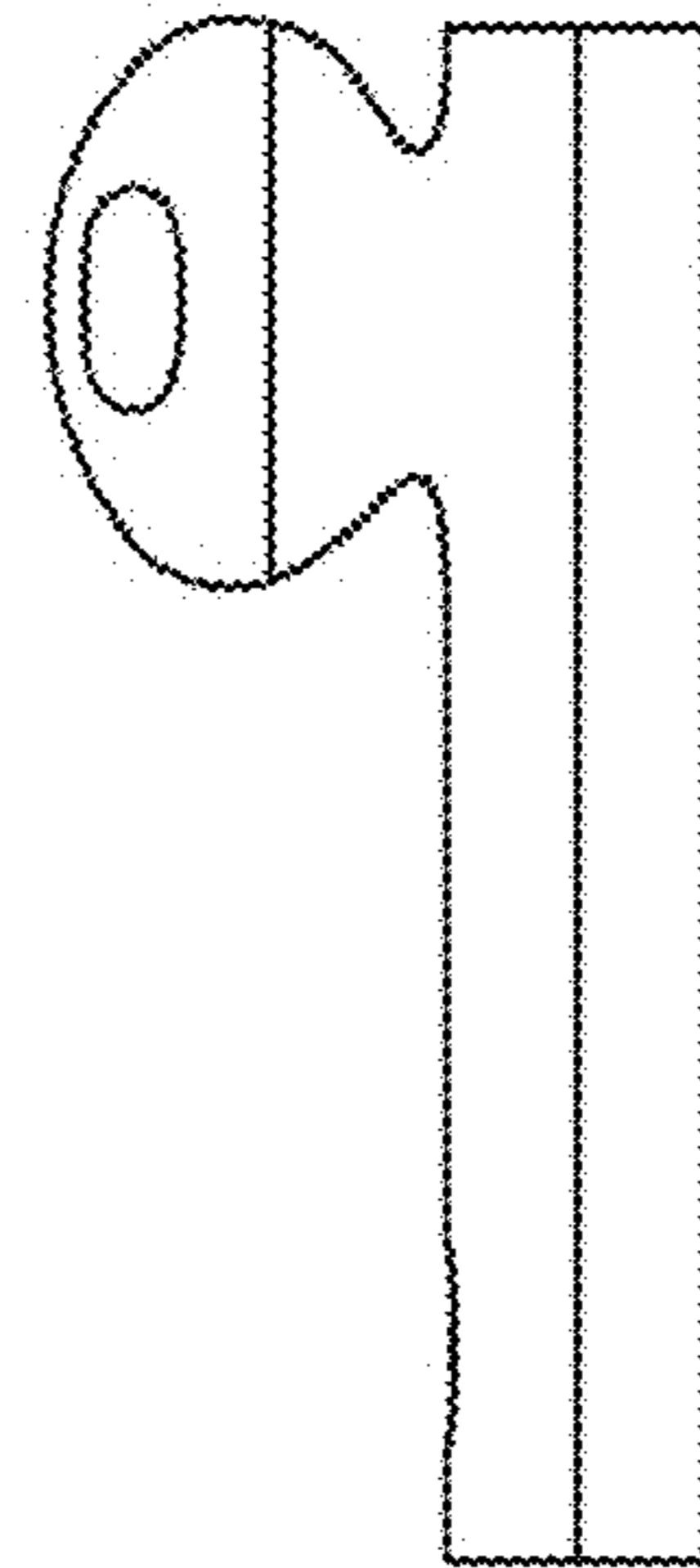
2.10



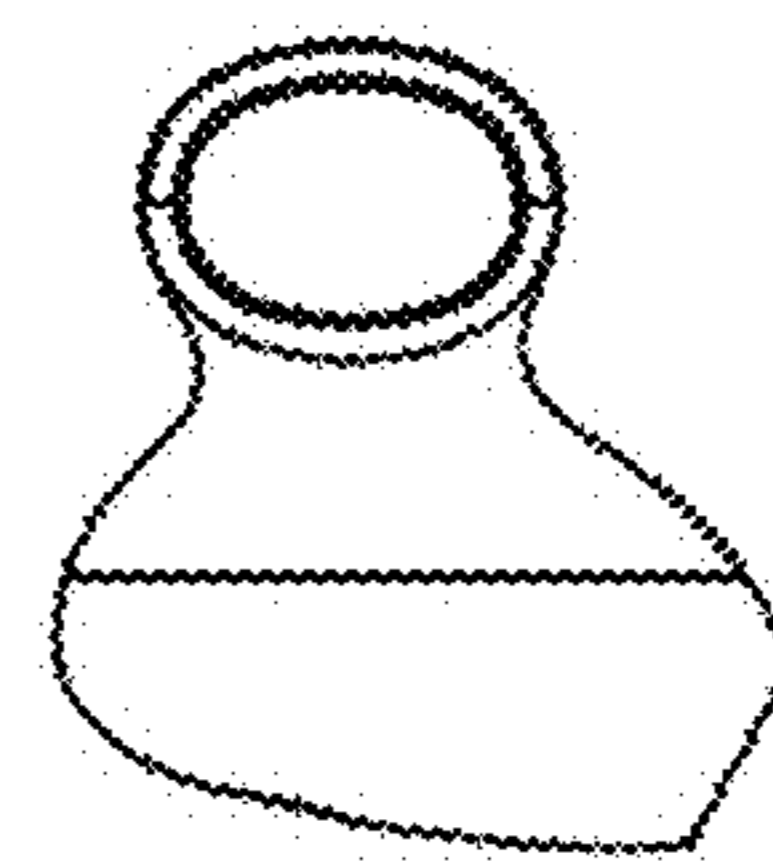
2.11



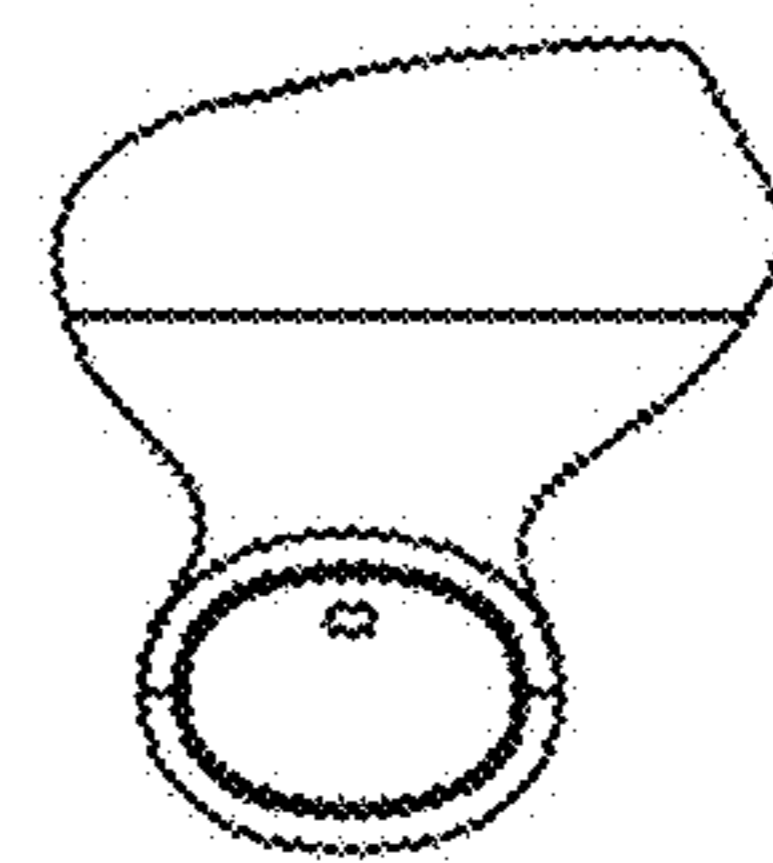
2.12



2.13

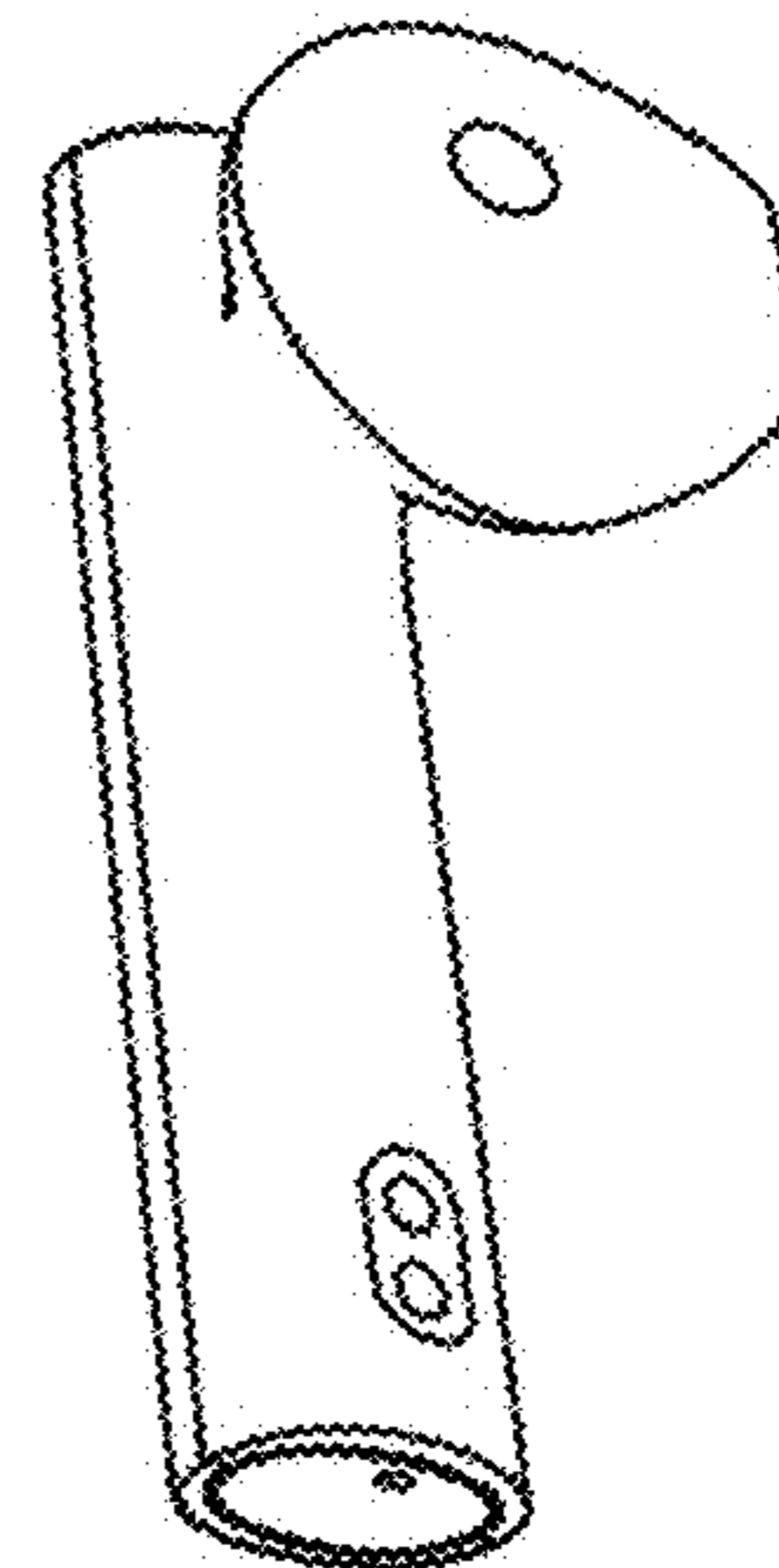


2.14





2.15



2.16

