



US00D932467S

(12) **United States Design Patent**
Feng

(10) **Patent No.:** **US D932,467 S**

(45) **Date of Patent:** **** Oct. 5, 2021**

- (54) **EARPHONE SUPPORT**
- (71) Applicant: **Shenzhen Humboldt Technology Co., Ltd, Shenzhen (CN)**
- (72) Inventor: **Jianwei Feng, Guangdong (CN)**
- (**) Term: **15 Years**
- (21) Appl. No.: **29/765,633**
- (22) Filed: **Jan. 11, 2021**
- (51) **LOC (13) Cl.** **14-01**
- (52) **U.S. Cl.**
USPC **D14/223; D14/205**
- (58) **Field of Classification Search**
USPC D14/223, 205, 240, 242; D24/174, 182; 128/864, 865, 866; 381/380, 381, 371, 381/72; D8/349, 373, 330, 338, 356; D29/112; 2/209; 24/115 R; 70/18, 233; 411/222; 455/90.3, 575.1, 569.1
CPC H04R 1/10; H04R 25/00; H04R 25/02; H04R 1/1016; H04R 1/1066; H04R 1/105; H04R 1/1091; H04R 1/1082; A61F 11/10; A61B 7/02; F16B 39/12
See application file for complete search history.

- 6,772,854 B2 * 8/2004 Wubker H04R 1/1016
181/130
- D514,094 S * 1/2006 Griffin D14/223
- D519,985 S * 5/2006 Wikel D14/205
- D532,110 S * 11/2006 Bailey D24/174
- 7,212,648 B2 * 5/2007 Saiki H04R 1/2834
381/423
- D551,943 S * 10/2007 Hodjat D8/349
- 7,401,679 B2 * 7/2008 Ipsen H04R 25/60
181/129
- D583,361 S 12/2008 Sodetz
- D599,192 S * 9/2009 Andren D8/354
- 7,654,484 B2 * 2/2010 Mogensen A61M 39/08
242/402
- D618,218 S * 6/2010 Burgett D14/223
- D618,219 S * 6/2010 Burgett D14/223
- D621,817 S * 8/2010 Brickstad D14/223
- D622,265 S * 8/2010 Rye D14/223

(Continued)

FOREIGN PATENT DOCUMENTS

- EM 001476998-0002 * 5/2020
- GB 9007343660-0001 * 12/2019
- KR 300901574.0000 * 3/2017

Primary Examiner — Paula Allen Greene

(57) **CLAIM**

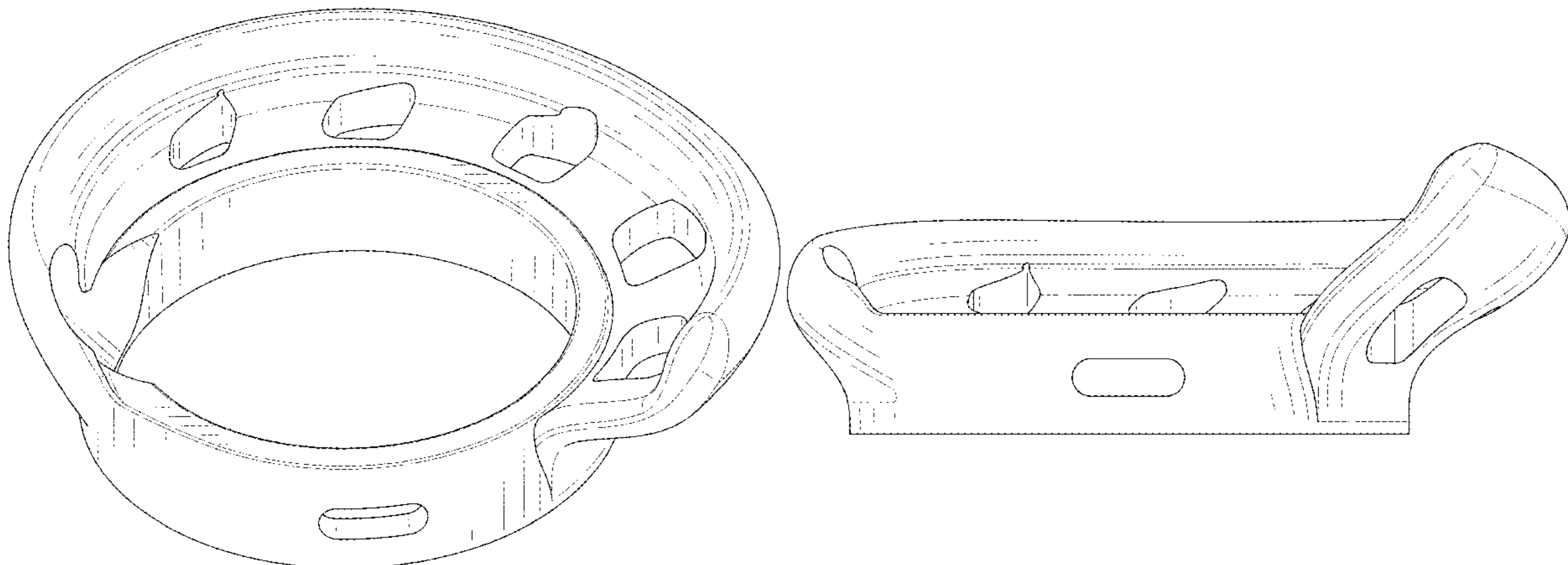
The ornamental design for an earphone support, as shown and described.

DESCRIPTION

FIG. 1 is a front and top perspective view of an earphone support, showing my new design;
 FIG. 2 is a rear and bottom perspective view thereof;
 FIG. 3 is a front elevational view thereof;
 FIG. 4 is a rear elevational view thereof;
 FIG. 5 is a left side elevational view thereof;
 FIG. 6 is a right side elevational view thereof;
 FIG. 7 is a top plan view thereof; and,
 FIG. 8 is a bottom plan view thereof.

1 Claim, 8 Drawing Sheets

- (56) **References Cited**
U.S. PATENT DOCUMENTS
- 1,527,802 A * 2/1925 Huggins H04R 1/1058
181/129
- 1,953,437 A * 4/1934 Schier A61F 11/00
181/135
- 4,443,668 A * 4/1984 Warren A61F 11/08
181/135
- 4,905,276 A * 2/1990 Catey H04M 1/19
379/441
- D316,713 S * 5/1991 Sun Kag D14/484
- 5,195,860 A * 3/1993 Steyn F16B 21/20
411/353
- D388,093 S * 12/1997 Frengley D14/223



(56)

References Cited

U.S. PATENT DOCUMENTS

D622,704 S * 8/2010 Fahrendorff D14/223
 D622,705 S * 8/2010 Fahrendorff D14/223
 D628,990 S * 12/2010 Pedersen D14/223
 D640,670 S * 6/2011 Rye D14/223
 D641,737 S * 7/2011 Krauss D14/223
 D644,212 S * 8/2011 Quek D14/223
 D644,213 S * 8/2011 Quek D14/223
 D645,458 S * 9/2011 Silvestri H04R 1/10
 D647,514 S * 10/2011 Wikel D14/223
 D655,693 S * 3/2012 Silvestri D14/223
 D664,124 S * 7/2012 Smith D14/223
 D672,043 S * 12/2012 Larsen D24/174
 D672,044 S * 12/2012 Larsen D24/174
 D699,215 S * 2/2014 Koch D14/205
 D707,201 S * 6/2014 Arjomand H04R 25/652
 D712,383 S * 9/2014 McNamara D14/223
 D712,880 S * 9/2014 Lin D14/223
 D716,770 S * 11/2014 Bonahoom D14/223
 D721,351 S * 1/2015 Liu D14/205
 D725,636 S * 3/2015 McNamara D14/223
 D726,694 S * 4/2015 Behar D14/223
 9,031,275 B2 * 5/2015 Brodsgaard H04R 1/1066
 D732,008 S * 6/2015 Akana H04R 1/10
 D742,362 S * 11/2015 Bonahoom D14/223
 D743,948 S * 11/2015 Crawford D14/223
 D744,456 S * 12/2015 Pedersen D14/223
 D750,600 S * 3/2016 Crawford D14/223
 D754,638 S * 4/2016 Krissman D14/223
 D755,158 S * 5/2016 Lee D14/205
 D770,413 S * 11/2016 Son D14/205
 D770,425 S * 11/2016 Son D14/223
 D770,426 S * 11/2016 LaBerge H04R 1/1058
 D773,440 S * 12/2016 Pedersen D14/223
 D773,441 S * 12/2016 Pedersen D14/223
 D774,021 S * 12/2016 Pedersen D14/223

D779,435 S * 2/2017 Callahan H05K 5/0247
 D779,435 S * 2/2017 Callahan D13/139.4
 D779,461 S * 2/2017 Smith D14/223
 D780,157 S * 2/2017 Uggla D14/205
 D784,961 S * 4/2017 Armstrong D14/223
 D813,373 S * 3/2018 Williams D24/106
 D828,825 S * 9/2018 Samrelius D14/223
 D835,077 S * 12/2018 Aoyagi D14/223
 D838,693 S * 1/2019 Fu D14/223
 D842,352 S * 3/2019 Si D15/145
 D843,352 S * 3/2019 Lee D14/223
 D847,124 S * 4/2019 Smith D14/223
 D859,368 S * 9/2019 Huang D14/223
 D860,172 S * 9/2019 Yun D14/223
 D860,975 S * 9/2019 Briggs D14/223
 D862,423 S * 10/2019 Birger D14/223
 D866,532 S * 11/2019 Zhang D14/223
 D869,444 S * 12/2019 Tang D14/223
 D870,079 S * 12/2019 Yun D14/223
 D871,374 S * 12/2019 Karayiannis D14/223
 D872,060 S * 1/2020 Briggs D14/223
 D875,720 S * 2/2020 Russo D14/225
 D881,163 S * 4/2020 Duddy D14/223
 D881,164 S * 4/2020 Luo D14/223
 D881,165 S * 4/2020 Lee D14/223
 D881,166 S * 4/2020 Lee D14/223
 D883,262 S * 5/2020 Wu D14/223
 D895,581 S * 9/2020 Wu D14/223
 10,820,085 B1 * 10/2020 Sandanger H04R 1/1016
 D910,602 S * 2/2021 Feng D14/223
 2002/0090104 A1 * 7/2002 Ma H04R 1/1091
 2002/0090104 A1 * 7/2002 Ma 381/374
 2003/0048916 A1 * 3/2003 Chen H04R 1/1058
 2003/0048916 A1 * 3/2003 Chen 381/374
 2003/0196850 A1 * 10/2003 Dyer A61F 11/08
 2003/0196850 A1 * 10/2003 Dyer 181/135
 2009/0321196 A1 * 12/2009 Bilan H04R 5/0335
 2009/0321196 A1 * 12/2009 Bilan 188/166
 2011/0255729 A1 * 10/2011 Tan H04R 1/105
 2011/0255729 A1 * 10/2011 Tan 381/380
 2014/0169910 A1 * 6/2014 Winnie F16B 39/12
 2014/0169910 A1 * 6/2014 Winnie 411/222
 2019/0254877 A1 * 8/2019 De Jong A61F 11/08

* cited by examiner

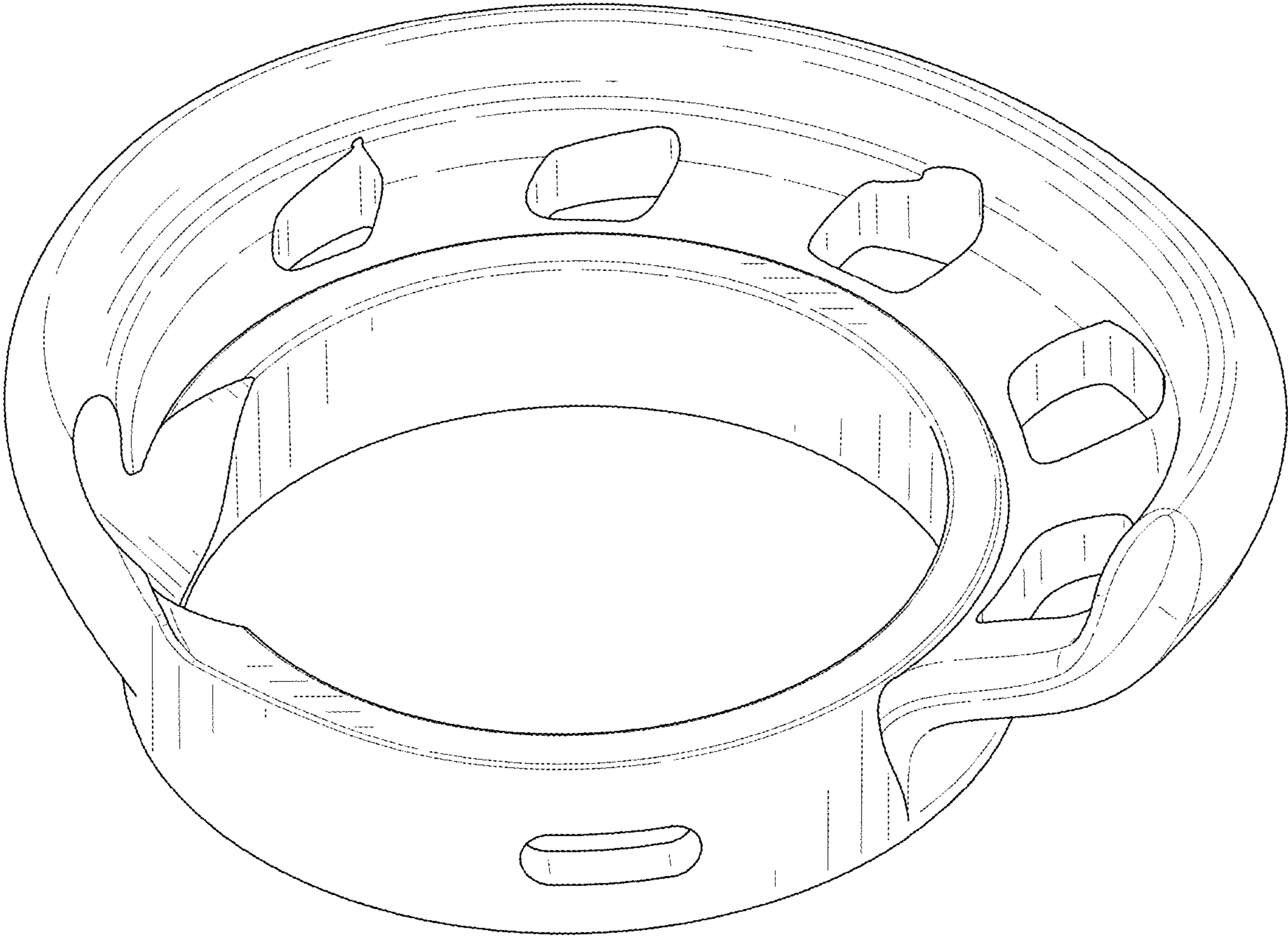


FIG. 1

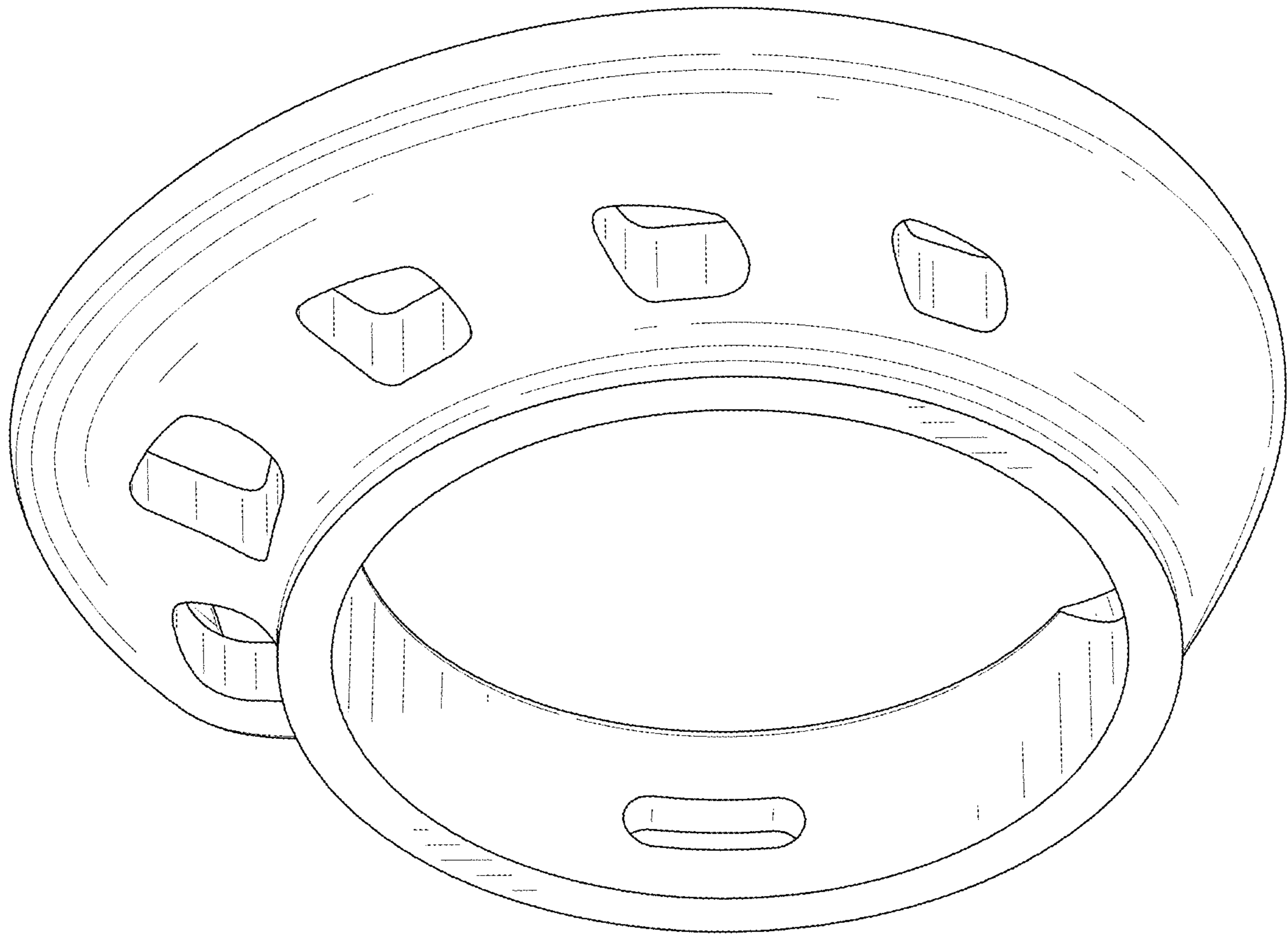


FIG. 2

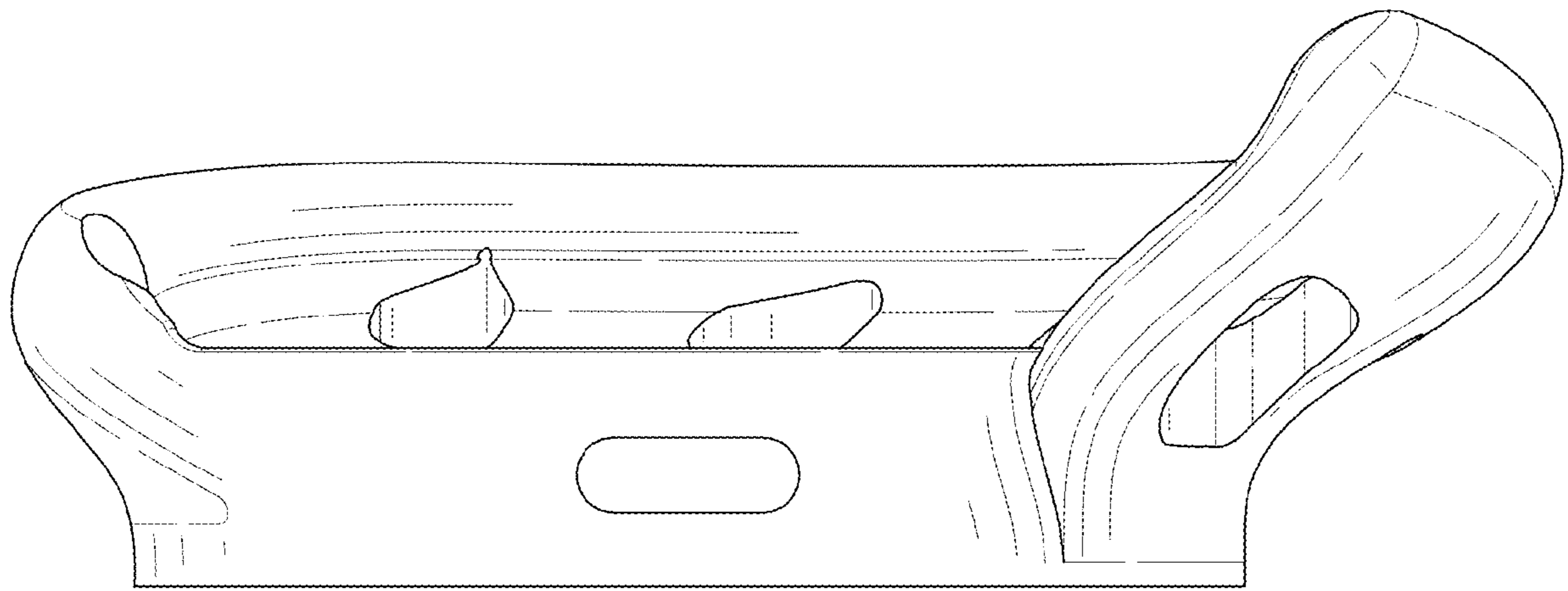


FIG. 3

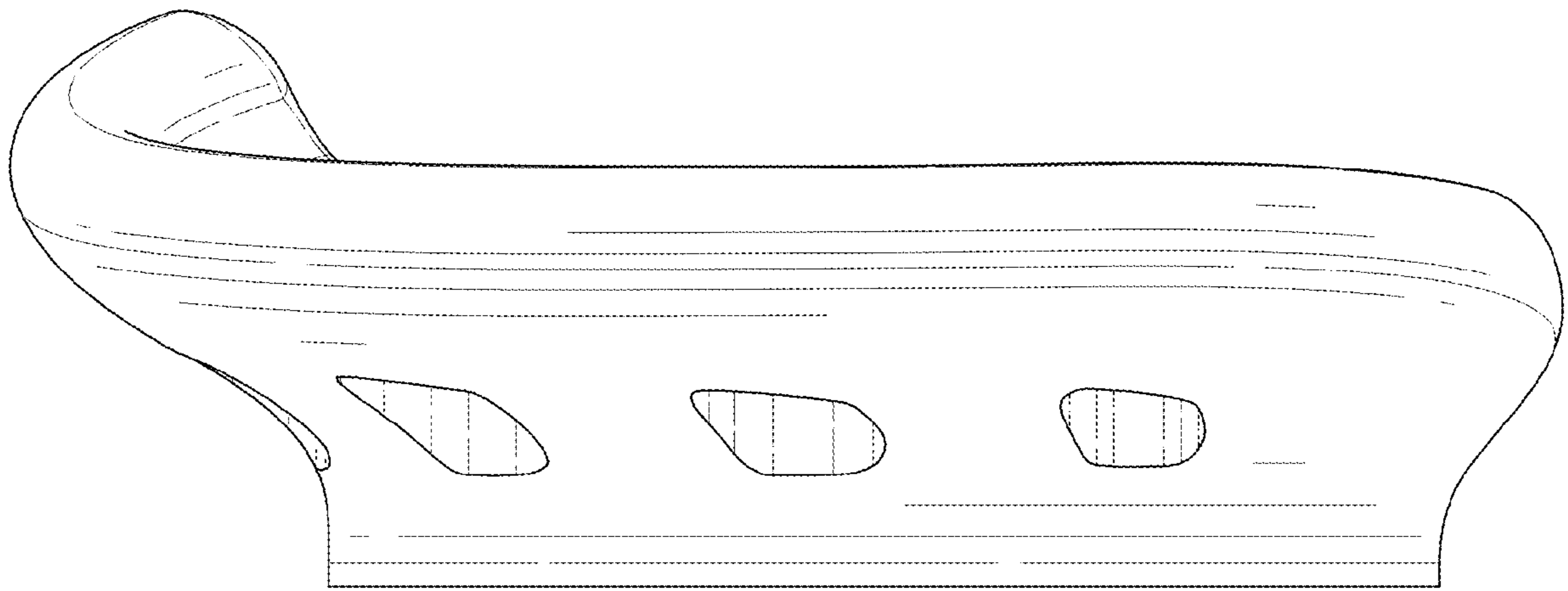


FIG. 4

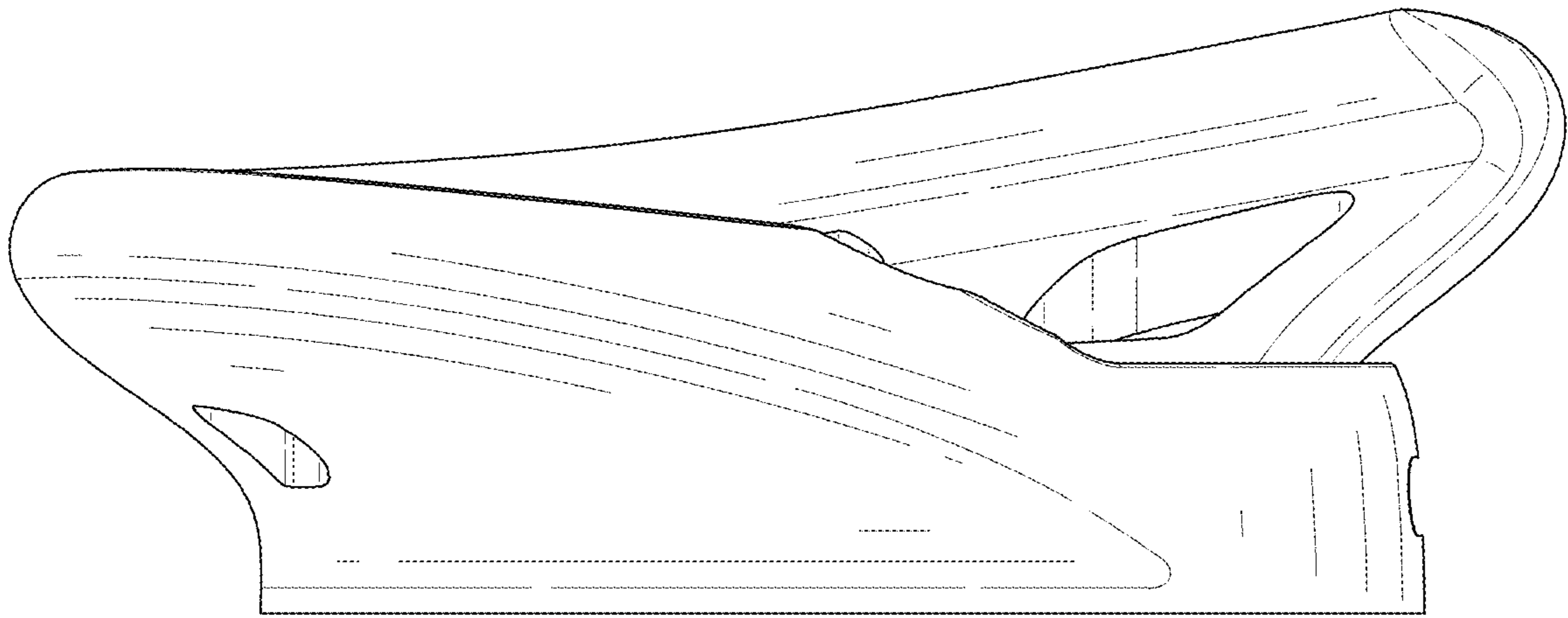


FIG. 5

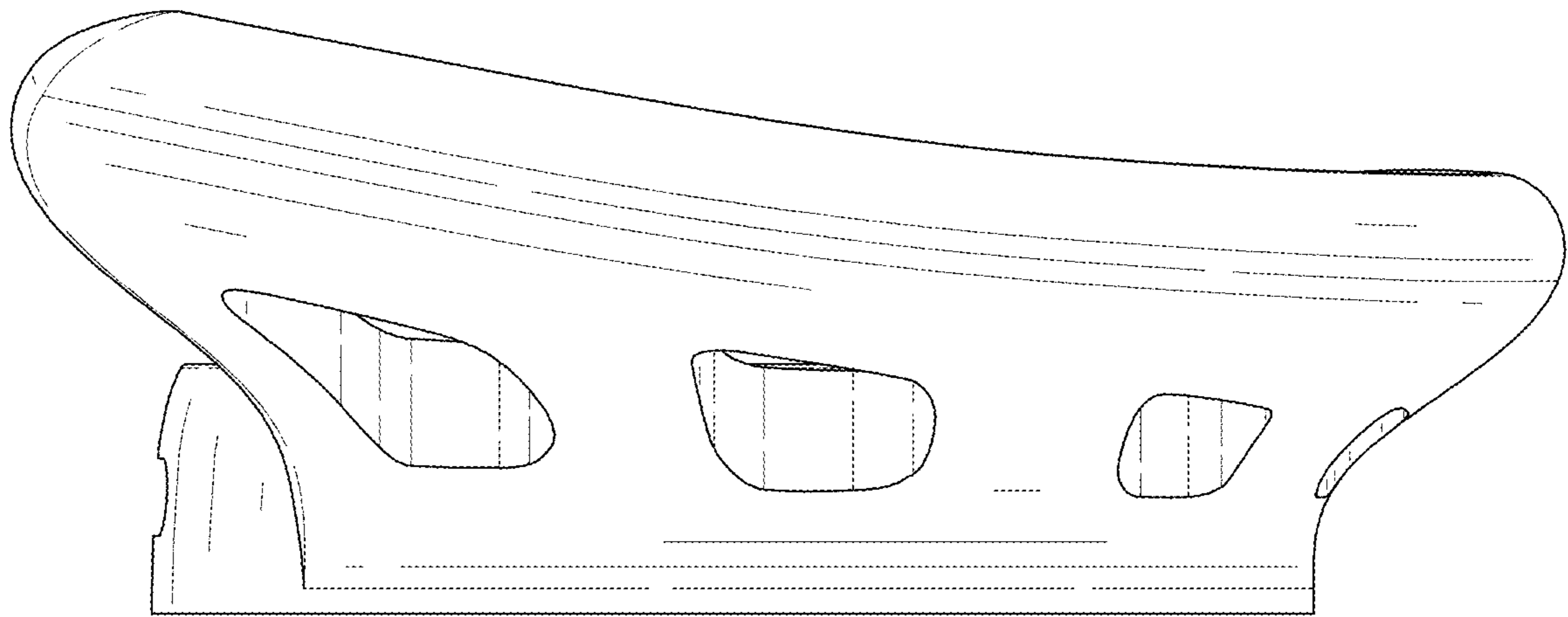


FIG. 6

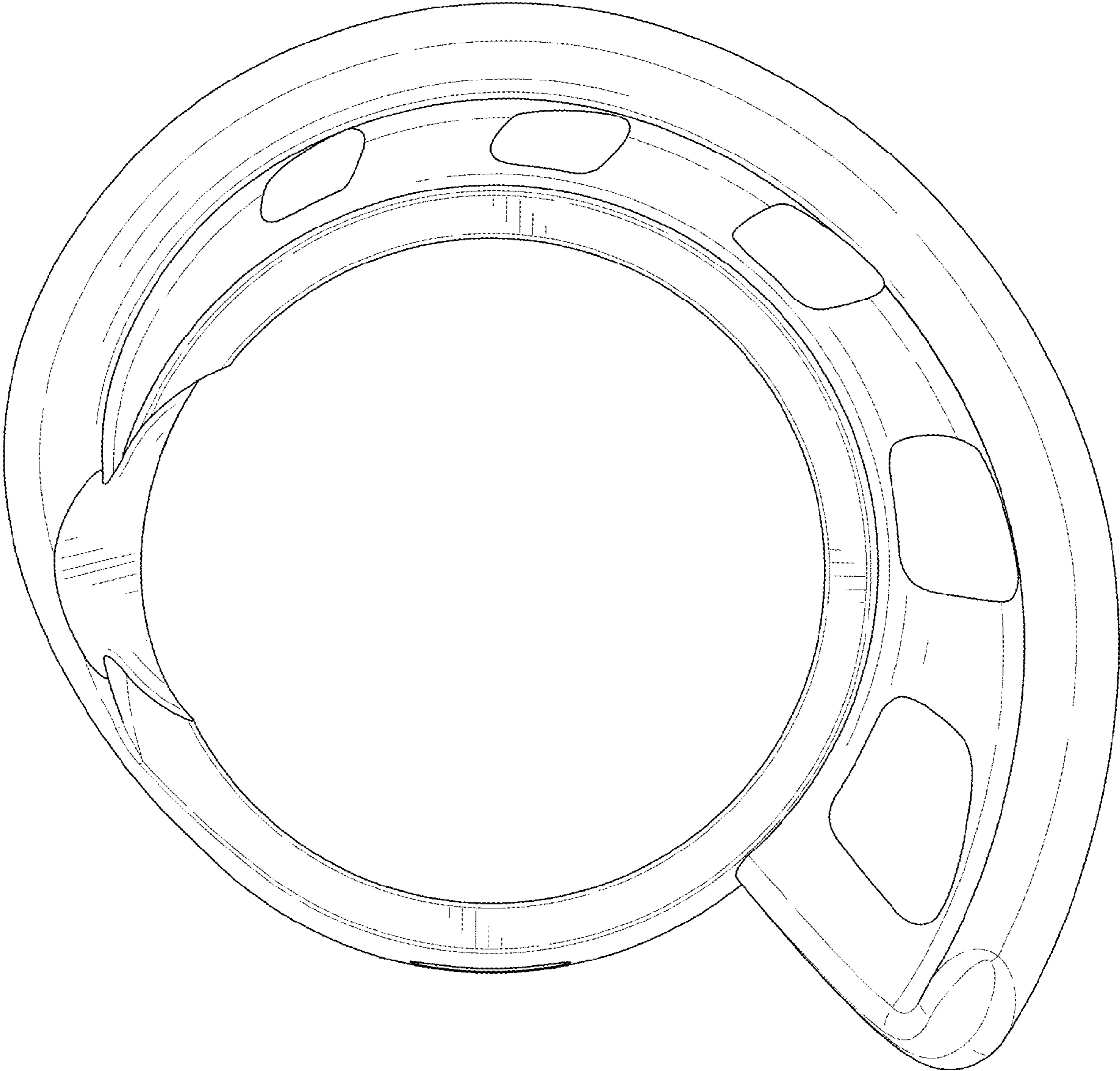


FIG. 7

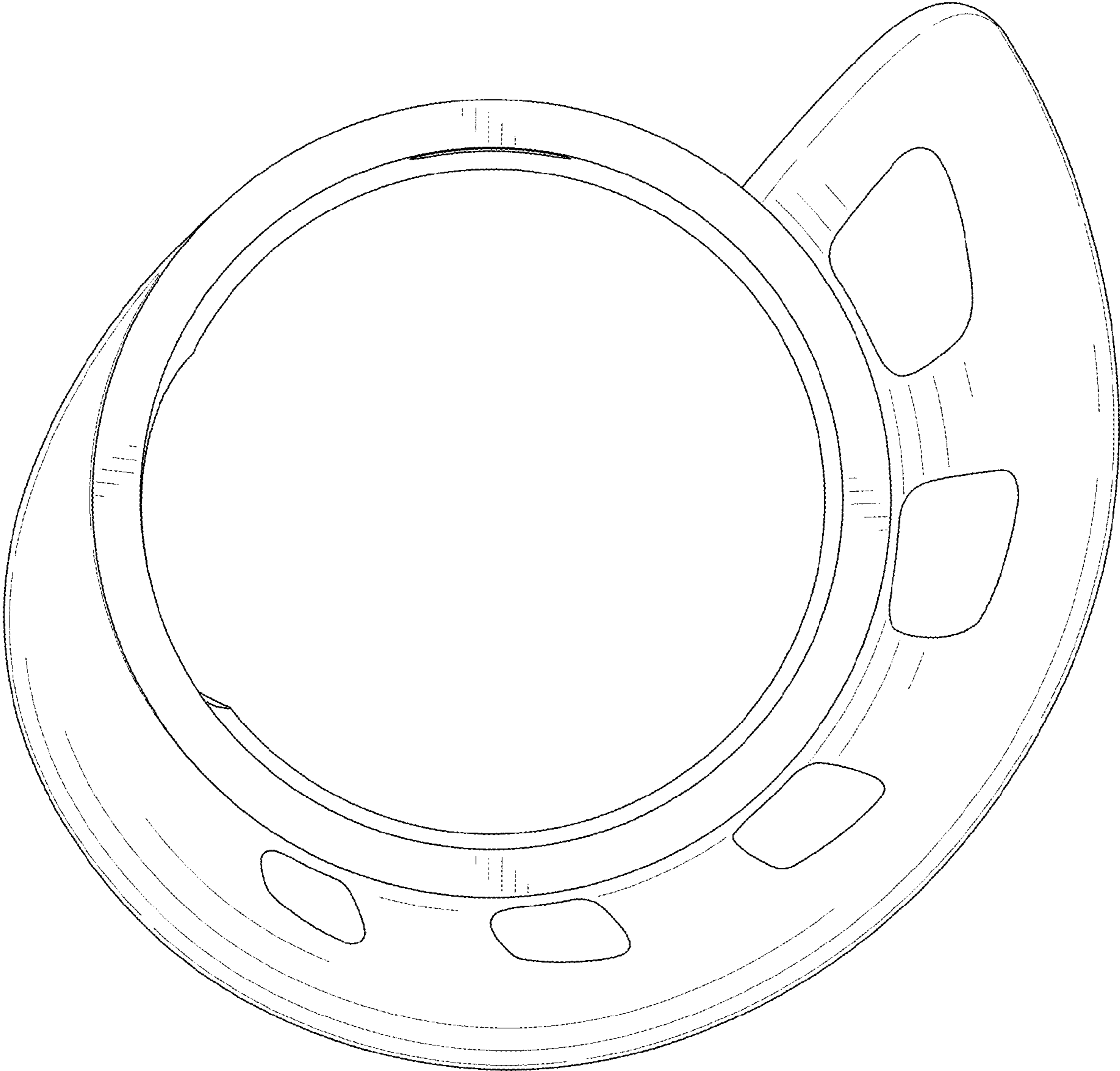


FIG. 8