



US00D932466S

(12) **United States Design Patent** (10) **Patent No.:** **US D932,466 S**  
**Park** (45) **Date of Patent:** **\*\* Oct. 5, 2021**

(54) **SPEAKER**  
(71) Applicant: **LG ELECTRONICS INC.**, Seoul (KR)  
(72) Inventor: **Sungyong Park**, Seoul (KR)  
(73) Assignee: **LG ELECTRONICS INC.**, Seoul (KR)

D534,523 S \* 1/2007 Kang ..... D14/214  
D555,634 S \* 11/2007 Kim ..... D14/214  
D587,239 S \* 2/2009 Raisanen ..... D14/188  
D638,401 S \* 5/2011 Woo ..... D14/214  
D638,824 S \* 5/2011 Hotta ..... D14/215  
D721,350 S \* 1/2015 Kim ..... D14/194  
D743,937 S \* 11/2015 Farr ..... D14/214  
D835,067 S \* 12/2018 Kim ..... D14/214  
D864,894 S \* 10/2019 Kim ..... D14/204  
D865,714 S \* 11/2019 McManigal ..... D14/214  
D877,119 S \* 3/2020 Choi ..... D14/214

(\*\*) Term: **15 Years**

(21) Appl. No.: **35/510,177**

(22) Filed: **Feb. 25, 2020**

(80) **Hague Agreement Data**

Int. Filing Date: **Feb. 25, 2020**  
Int. Reg. No.: **DM/206711**  
Int. Reg. Date: **Feb. 25, 2020**  
Int. Reg. Pub. Date: **Aug. 28, 2020**

(30) **Foreign Application Priority Data**

Sep. 6, 2019 (KR) ..... 30-2019-0043180

(51) **LOC (13) Cl.** ..... **14-01**

(52) **U.S. Cl.**  
USPC ..... **D14/215**

(58) **Field of Classification Search**  
USPC ..... D14/125-129, 132, 170-172, 204, 205,  
D14/214, 215, 239, 336, 341, 373-377,  
D14/451, 900-902  
CPC ..... G06F 1/1601; G06F 1/1605; G06F 1/162  
See application file for complete search history.

(56) **References Cited**

**U.S. PATENT DOCUMENTS**

D417,217 S \* 11/1999 Heath ..... D14/214  
D531,617 S \* 11/2006 Rozier ..... D14/215

**OTHER PUBLICATIONS**

LG's New Soundbar Lineup, CES 2020, publication date Dec. 27, 2019, [online] URL: www.lgnewsroom.com/2019/12/lgs-new-soundbar-lineup-brings-premium-audio-experience-to-even-more-consumers/ (Year: 2019).\*

\* cited by examiner

*Primary Examiner* — L. A. Grabenstetter  
(74) *Attorney, Agent, or Firm* — Birch, Stewart, Kolasch & Birch, LLP

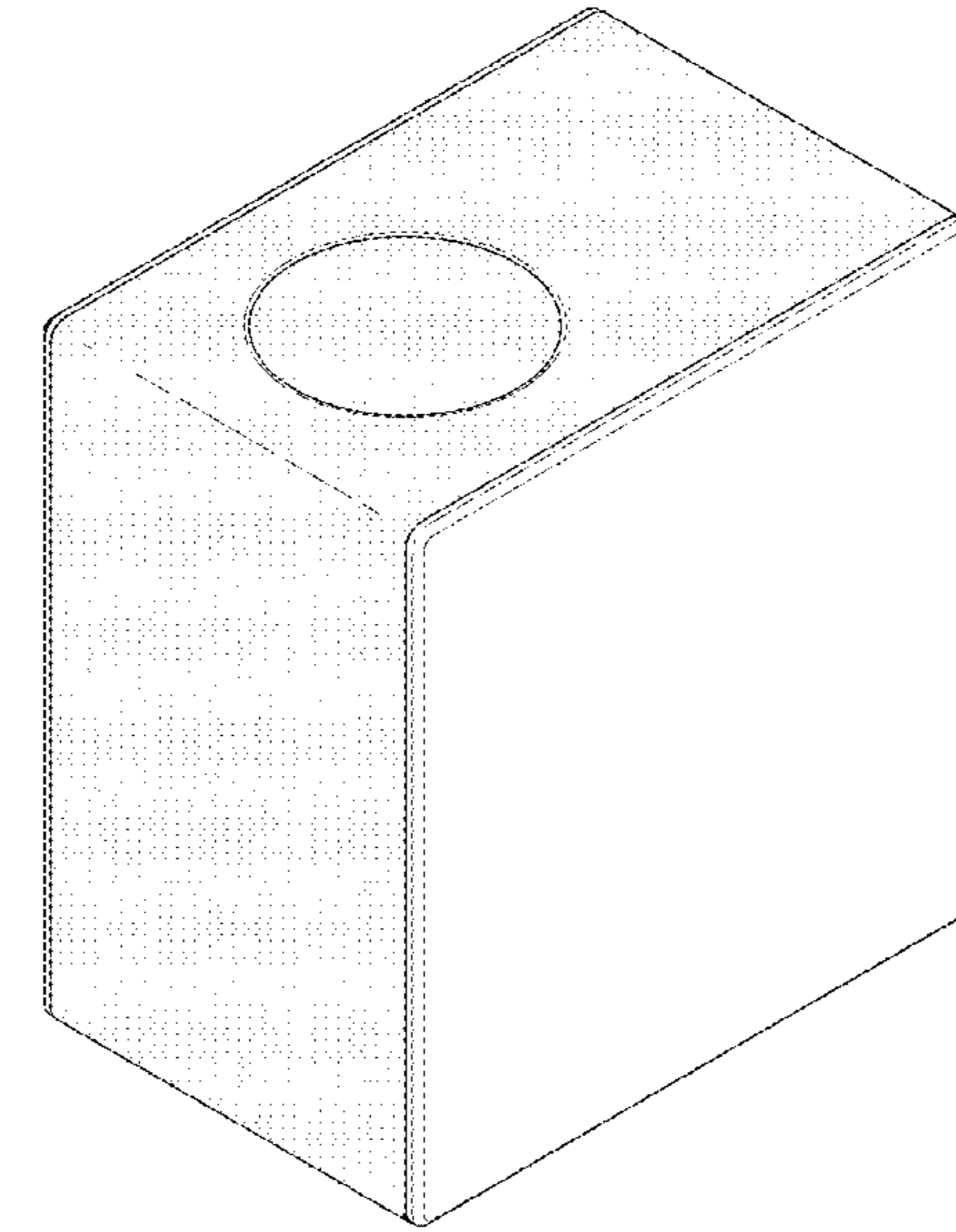
(57) **CLAIM**

The ornamental design for a speaker, as shown and described.

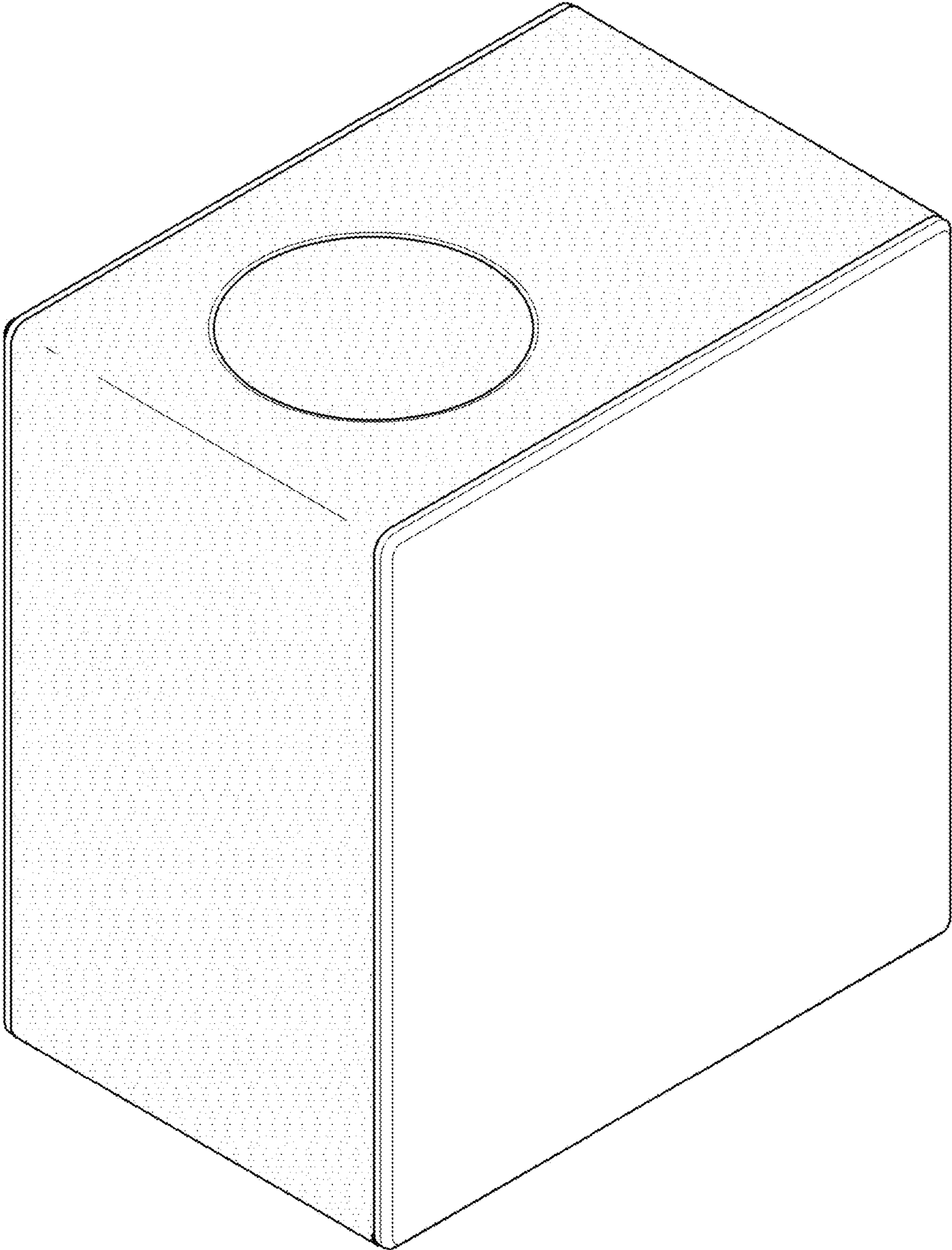
**DESCRIPTION**

- 1. Speaker
- 1.1 : Perspective
- 1.2 : Front
- 1.3 : Back
- 1.4 : Left
- 1.5 : Right
- 1.6 : Top
- 1.7 : Bottom

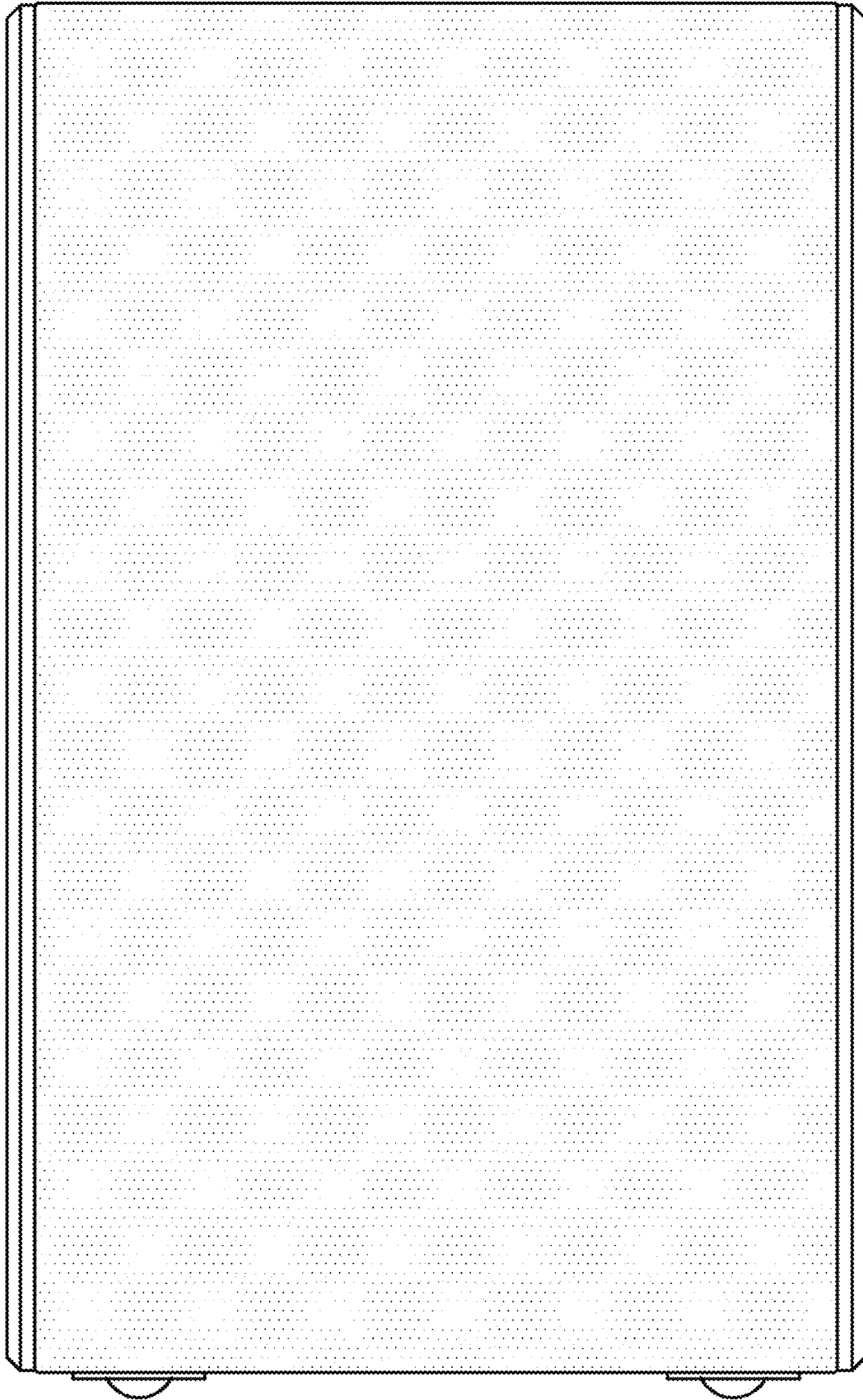
**1 Claim, 7 Drawing Sheets**



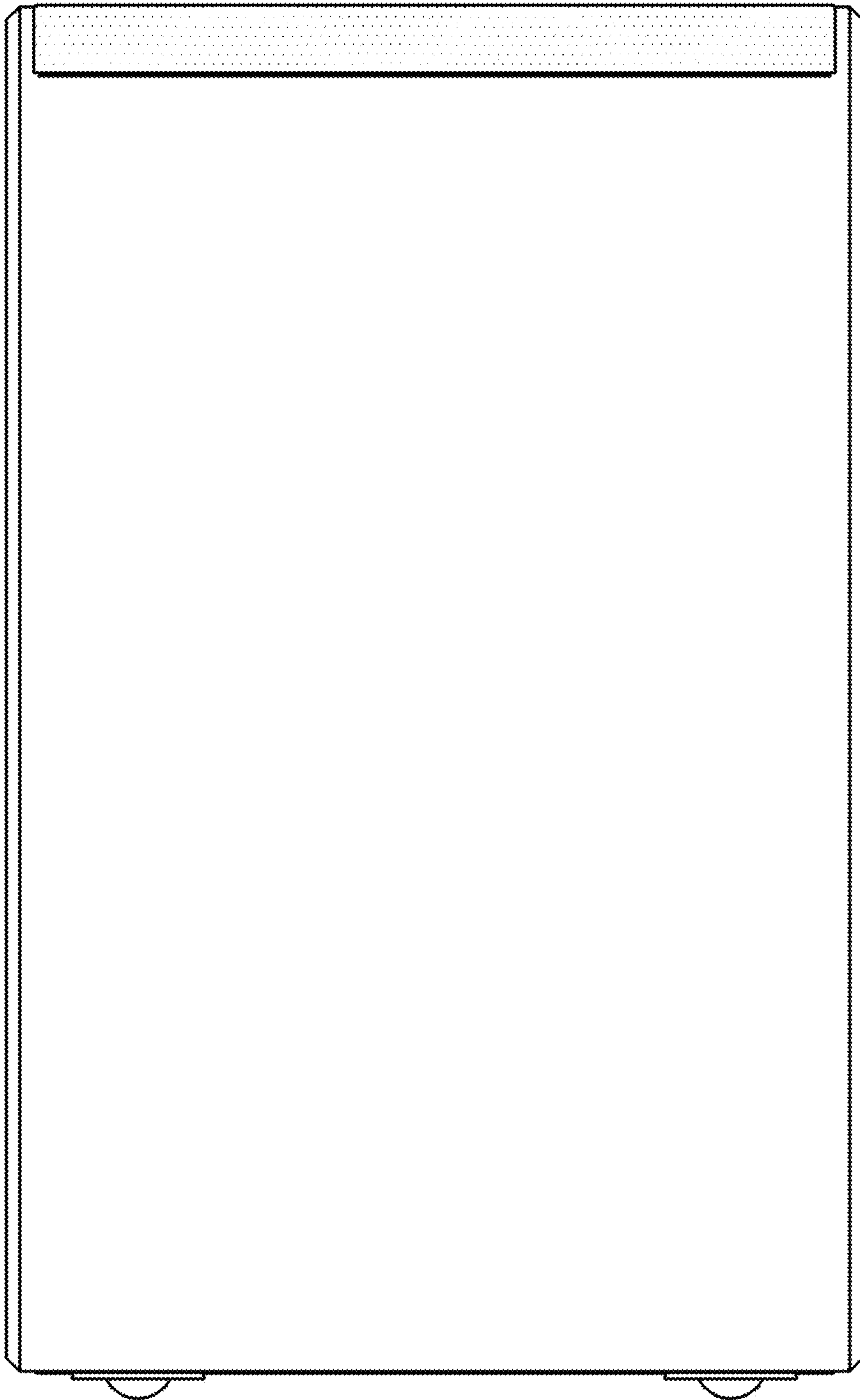
1.1



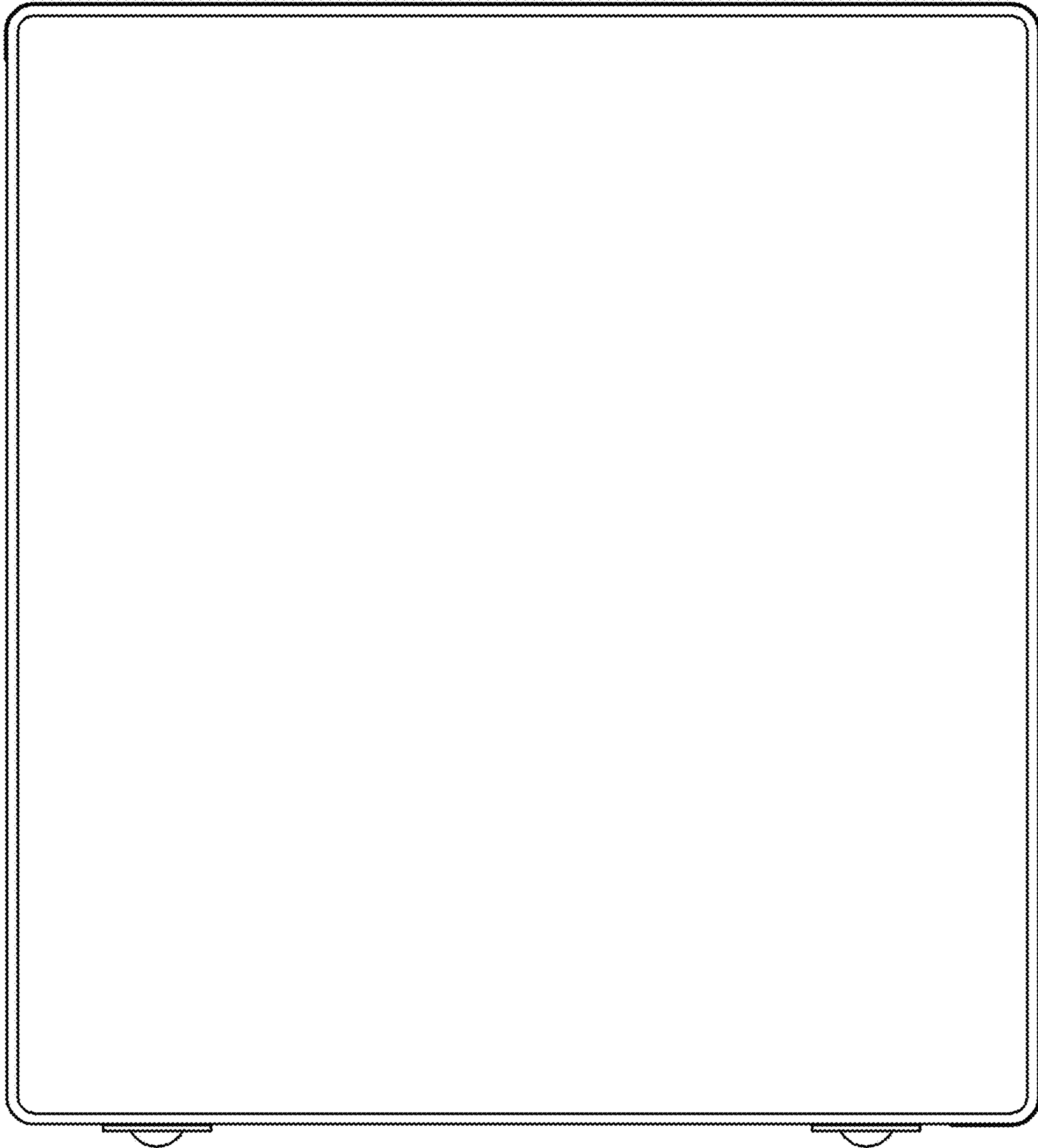
1.2



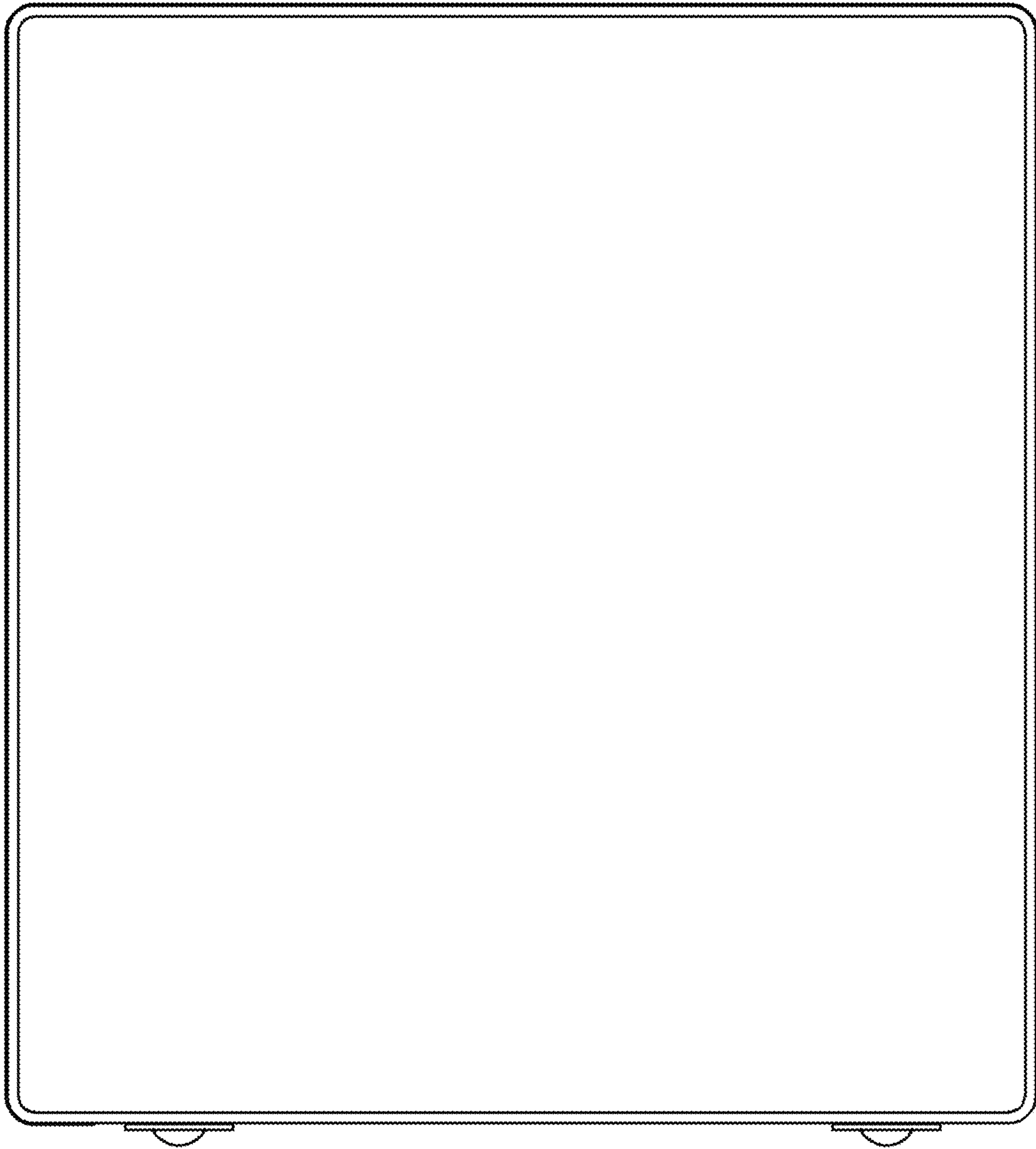
1.3



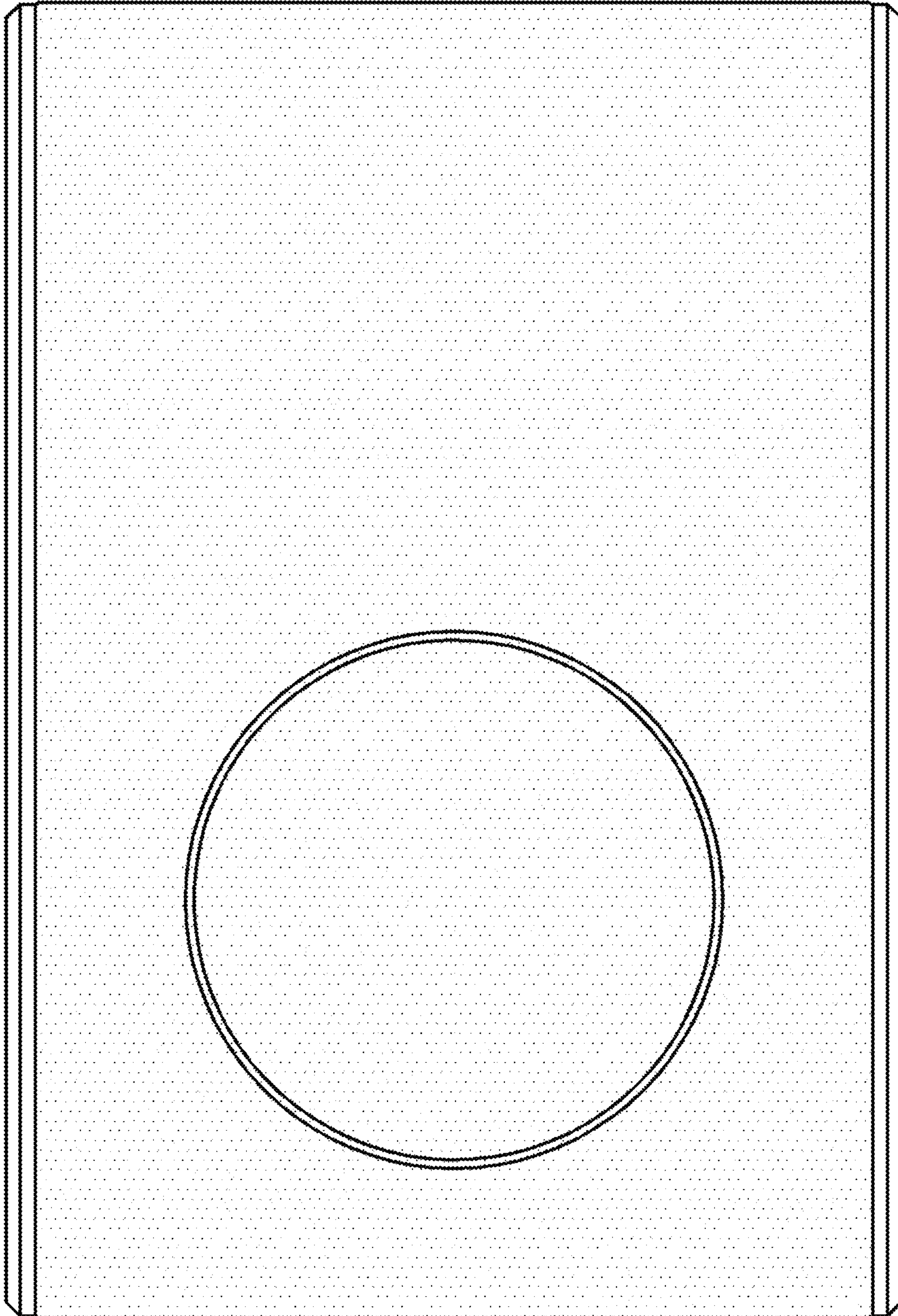
1.4



1.5



1.6



1.7

