



US00D932465S

(12) **United States Design Patent** (10) **Patent No.:** **US D932,465 S**  
**Su** (45) **Date of Patent:** **\*\* Oct. 5, 2021**

(54) **SPEAKER**

(71) Applicant: **YEALINK (XIAMEN) NETWORK TECHNOLOGY CO., LTD.**, Fujian (CN)

(72) Inventor: **Jingfeng Su**, Fujian (CN)

(73) Assignee: **YEALINK (XIAMEN) NETWORK TECHNOLOGY CO., LTD.**, Xiamen (CN)

(\*\*) Term: **15 Years**

(21) Appl. No.: **29/732,767**

(22) Filed: **Apr. 27, 2020**

(30) **Foreign Application Priority Data**

Mar. 27, 2020 (CN) ..... 202030112376.8

(51) **LOC (13) Cl.** ..... **14-01**

(52) **U.S. Cl.**  
USPC ..... **D14/214**; D14/204

(58) **Field of Classification Search**  
USPC ..... D14/155–159, 160–173, 187–188,  
D14/203.1–203.8, 204–216, 217–222,  
D14/225–229, 496, 498, 507  
CPC ..... H04R 1/02; H04R 1/021; H04R 1/025;  
H04R 1/026; H04R 1/028; H04R 1/06;  
H04R 1/105; H04R 1/323; H04R 1/403;  
H04R 1/2803; H04R 1/2834  
See application file for complete search history.

(56) **References Cited**

**U.S. PATENT DOCUMENTS**

D669,884 S \* 10/2012 Hou ..... D14/214  
D715,769 S \* 10/2014 McManigal ..... D14/214  
D715,770 S \* 10/2014 McManigal ..... D14/214  
D754,100 S \* 4/2016 McManigal ..... D14/214  
D764,440 S \* 8/2016 Xin ..... D14/214  
D791,736 S \* 7/2017 Schoolmeester ..... D14/214  
D818,455 S \* 5/2018 McManigal ..... D14/214

D826,216 S \* 8/2018 Schoolmeester ..... D14/214  
D835,605 S \* 12/2018 Schoolmeester ..... D14/214  
D874,433 S \* 2/2020 Boerner ..... D14/214  
D900,785 S \* 11/2020 Kim ..... D14/214  
D906,283 S \* 12/2020 Schoolmeester ..... D14/214

(Continued)

**FOREIGN PATENT DOCUMENTS**

CN 305912625 \* 7/2020  
EM 007792767-0002 \* 5/2020  
GB 9007792767-0002 \* 4/2020

**OTHER PUBLICATIONS**

Yealink MSPEAKER II Sound Bar, date not available, [retrieved Jun. 29, 2021], Retrieved from Internet, URL: <https://www.walmart.com/ip/Yealink-MSPEAKER-II-Sound-Bar-Speaker-10-W-RMS-MSPEAKERII/990774179?wmlspartner=wlp&selectedSellerId=6%E2%80%A6> (Year: 2021).\*

*Primary Examiner* — Barbara Fox  
*Assistant Examiner* — Aram Kwon

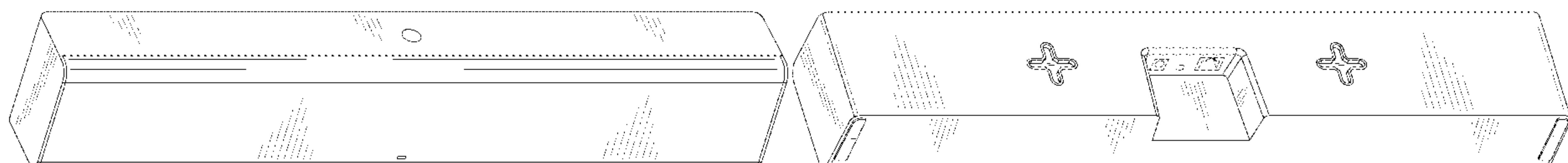
(57) **CLAIM**

The ornamental design for a speaker, as shown and described.

**DESCRIPTION**

FIG. 1 is a front elevational view of a speaker showing my new design;  
FIG. 2 is a rear elevational view thereof;  
FIG. 3 is a left side view thereof;  
FIG. 4 is a right side view thereof;  
FIG. 5 is a top plan view thereof;  
FIG. 6 is a bottom plan view thereof;  
FIG. 7 is a top, front and left side perspective view thereof; and,  
FIG. 8 is a bottom, rear and right side perspective view thereof.  
The broken lines in the drawings illustrate portions of the speaker which form no part of the claimed design.

**1 Claim, 4 Drawing Sheets**



(56)

**References Cited**

U.S. PATENT DOCUMENTS

D906,286 S \* 12/2020 Hung ..... D14/214  
D918,855 S \* 5/2021 Carbone ..... D14/130  
D918,860 S \* 5/2021 Kim ..... D14/204

\* cited by examiner

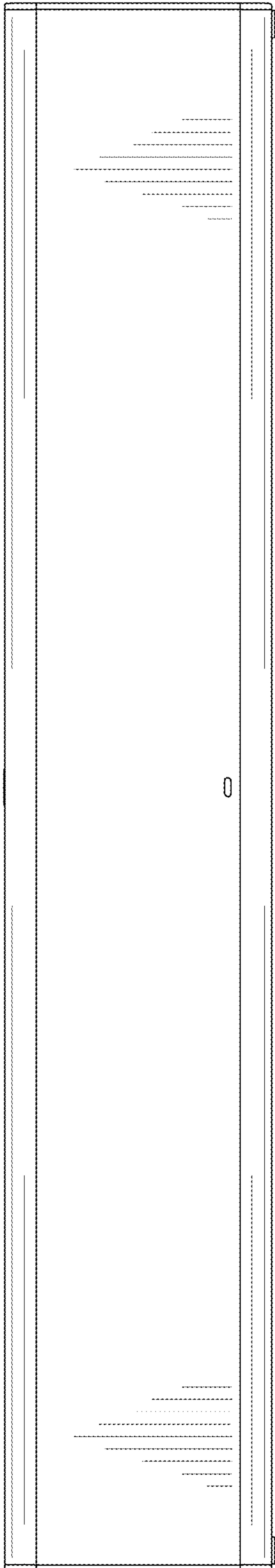


FIG. 1

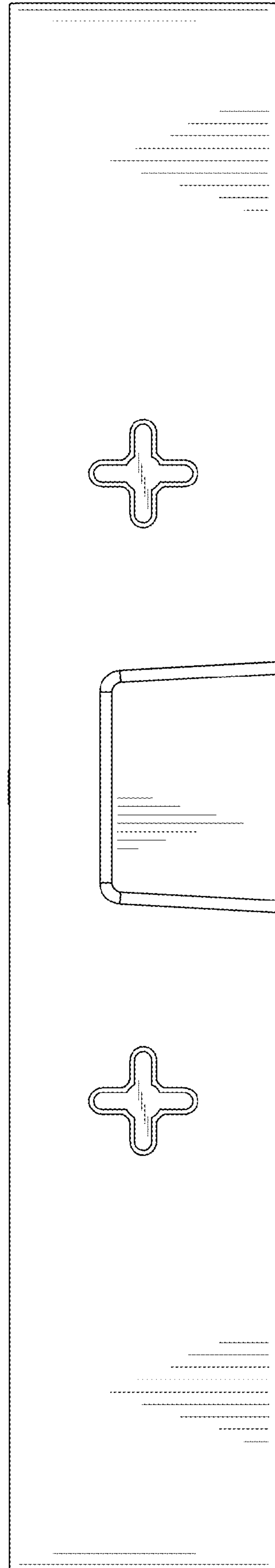


FIG. 2

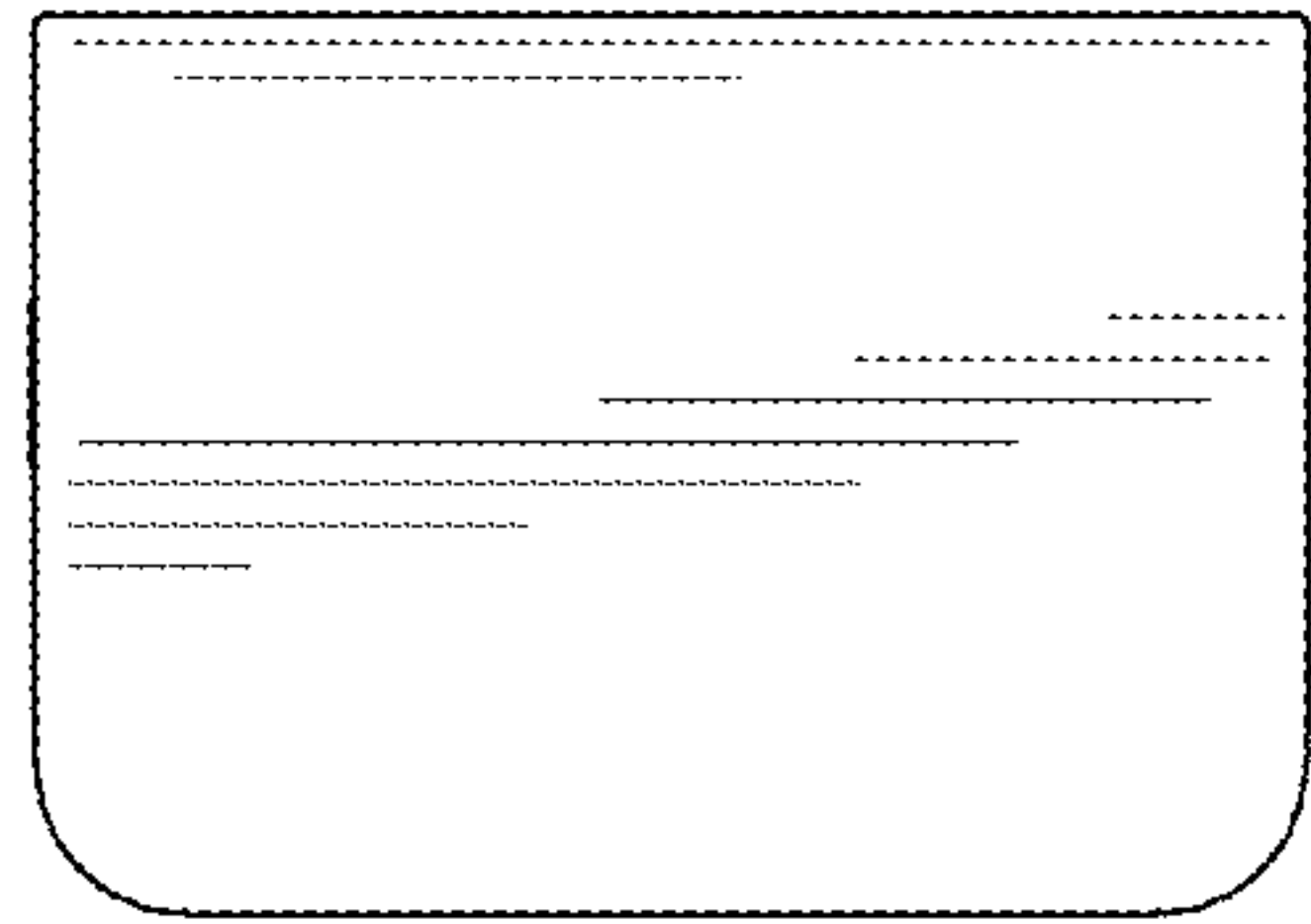


FIG. 4

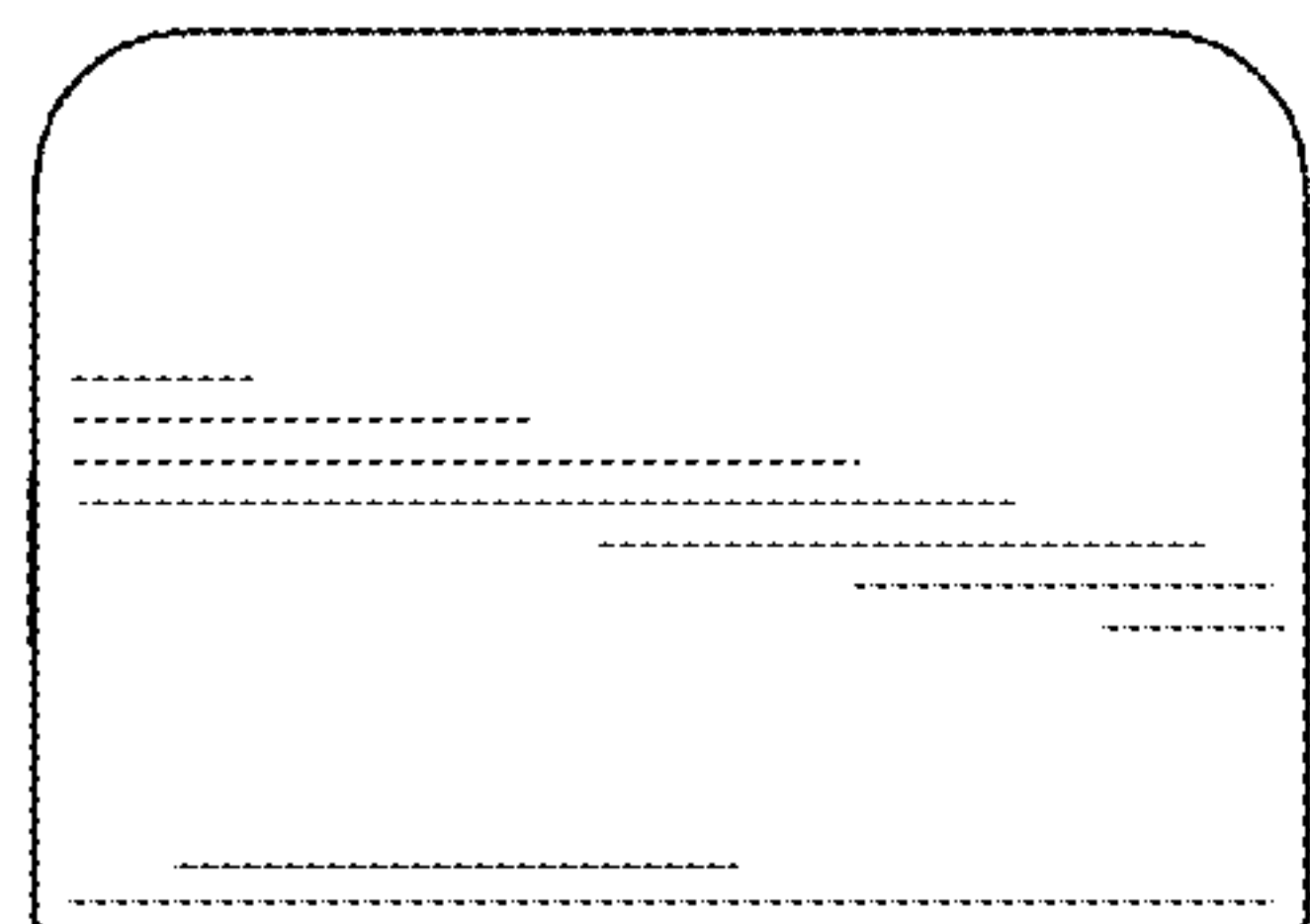


FIG. 3

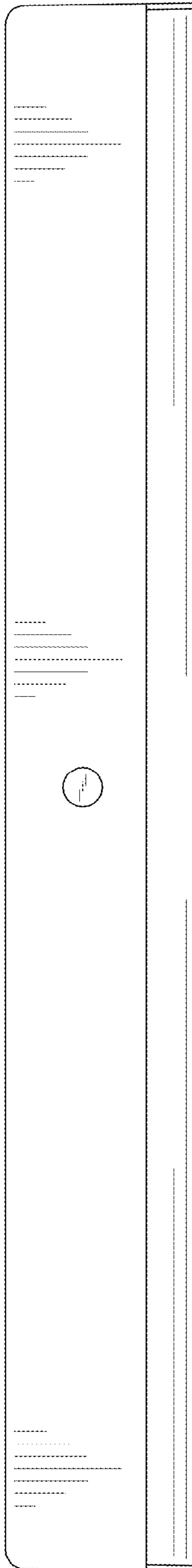


FIG. 5

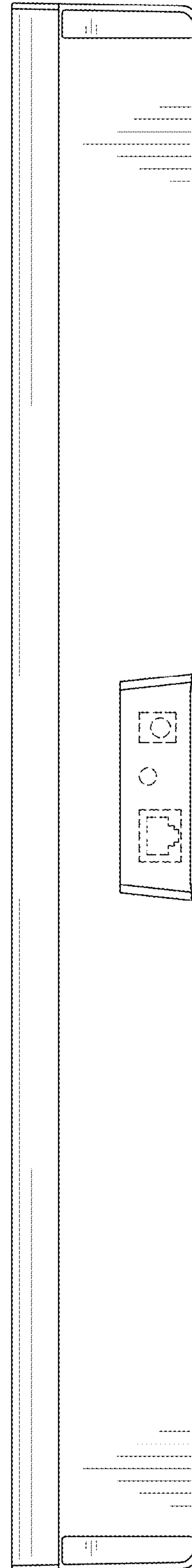


FIG. 6

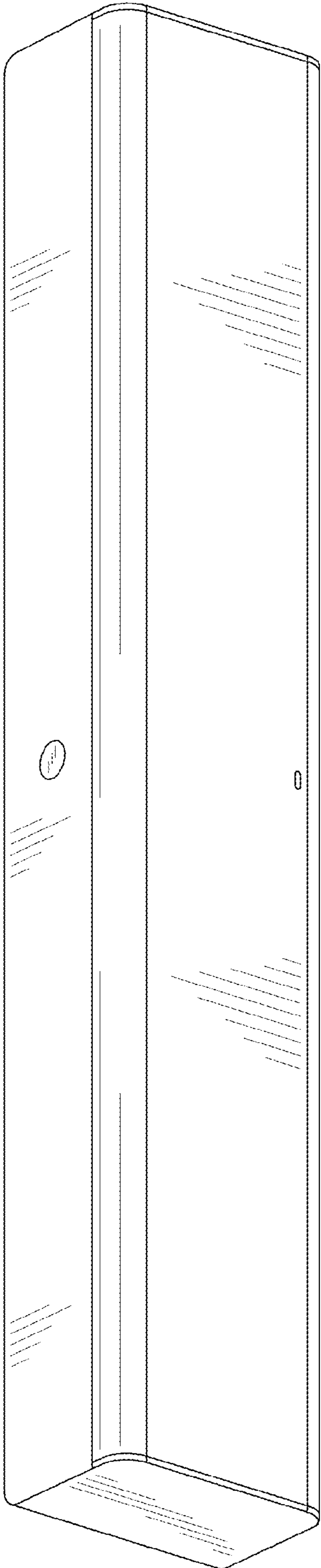


FIG. 7

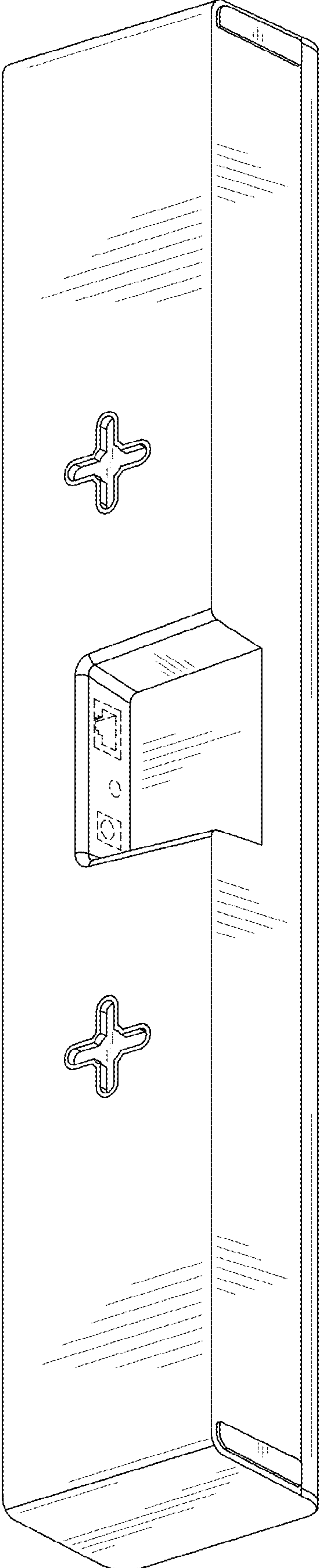


FIG. 8