



US00D932463S

(12) **United States Design Patent**
Wu

(10) **Patent No.:** **US D932,463 S**

(45) **Date of Patent:** **** Oct. 5, 2021**

(54) **WIRELESS LOUDSPEAKER**

(71) Applicant: **Shenzhen Comiso Digital Technology Limited**, Guangdong (CN)

(72) Inventor: **Weiquan Wu**, Guangdong (CN)

(73) Assignee: **Shenzhen Comiso Digital Technology Limited**, Shenzhen (CN)

(**) Term: **15 Years**

(21) Appl. No.: **29/728,238**

(22) Filed: **Mar. 17, 2020**

(30) **Foreign Application Priority Data**

Dec. 20, 2019 (CN) 201930717037.X

(51) **LOC (13) Cl.** **14-01**

(52) **U.S. Cl.**
USPC **D14/204**; D14/216

(58) **Field of Classification Search**

USPC D14/155–159, 160–173, 187–188,
D14/203.1–203.8, 204–216, 217–222,
D14/225–229, 356–358, 361, 362, 365,
D14/367, 370, 388, 496; D13/103,
D13/107–108

CPC H04R 1/02; H04R 1/021; H04R 1/025;
H04R 1/026; H04R 1/028; H04R 1/06;
H04R 1/105; H04R 1/323; H04R 1/403;
H04R 1/2803; H04R 1/2834

See application file for complete search history.

(56) **References Cited**

U.S. PATENT DOCUMENTS

D525,517 S * 7/2006 Baldwin D8/310
D652,022 S * 1/2012 Miyawaki D14/216

D746,165 S * 12/2015 Li D10/104.1
D810,680 S * 2/2018 Carreon D13/108
D813,192 S * 3/2018 Zeng D14/204
D849,704 S * 5/2019 Kim D14/137
D877,113 S * 3/2020 Jin D14/204
D890,752 S * 7/2020 Huang D14/358
D900,812 S * 11/2020 Friedman D14/357
D918,861 S * 5/2021 Chen D14/204

* cited by examiner

Primary Examiner — Barbara Fox

Assistant Examiner — Aram Kwon

(57) **CLAIM**

The ornamental design for a wireless loudspeaker, as shown and described.

DESCRIPTION

FIG. 1 is a bottom, front and right side perspective view of a wireless loudspeaker showing my new design;

FIG. 2 is a top, rear and right side perspective view thereof;

FIG. 3 is a front elevational view thereof;

FIG. 4 is a rear elevational view thereof;

FIG. 5 is a left side view thereof;

FIG. 6 is a right side view thereof;

FIG. 7 is a top plan view thereof;

FIG. 8 is a bottom plan view thereof;

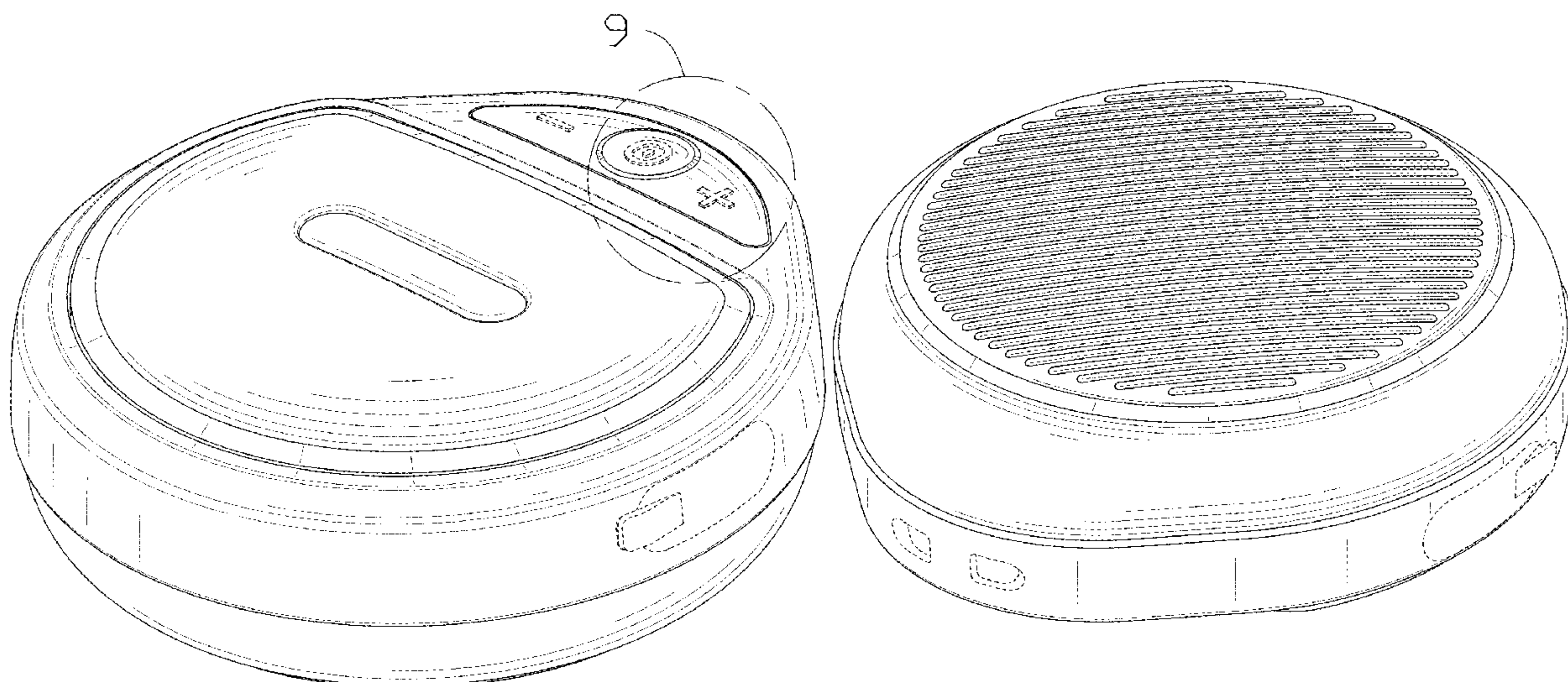
FIG. 9 is an enlarged view of portion 9 in FIG. 1; and,

FIG. 10 is an enlarged view of portion 10 in FIG. 5.

The evenly-dashed broken lines in the drawings depict portions of the wireless loudspeaker that form no part of the claimed design.

The unevenly-dashed broken lines in the drawings encircling portions that are illustrated in enlargements form no part of the claimed design.

1 Claim, 10 Drawing Sheets



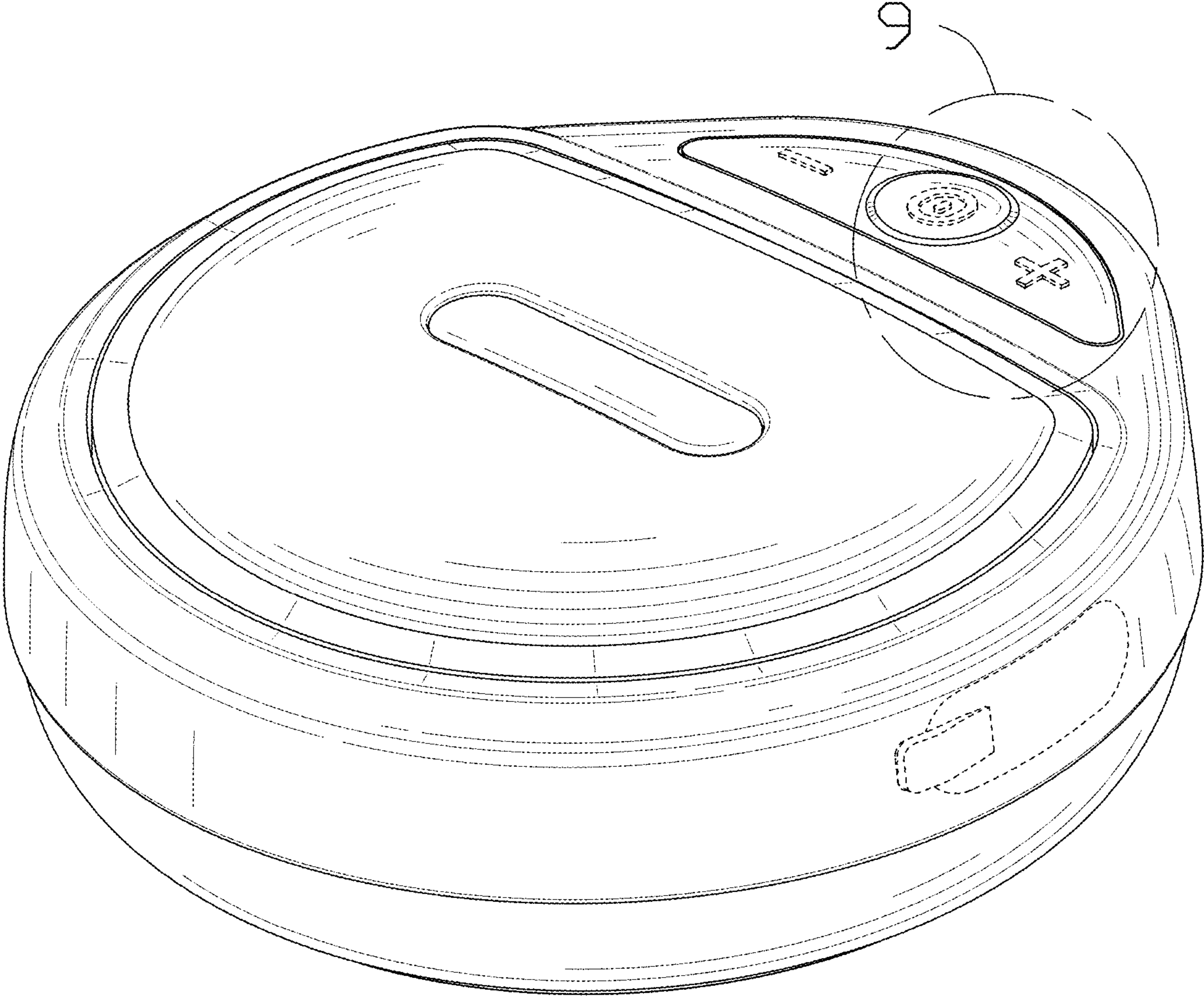


FIG. 1

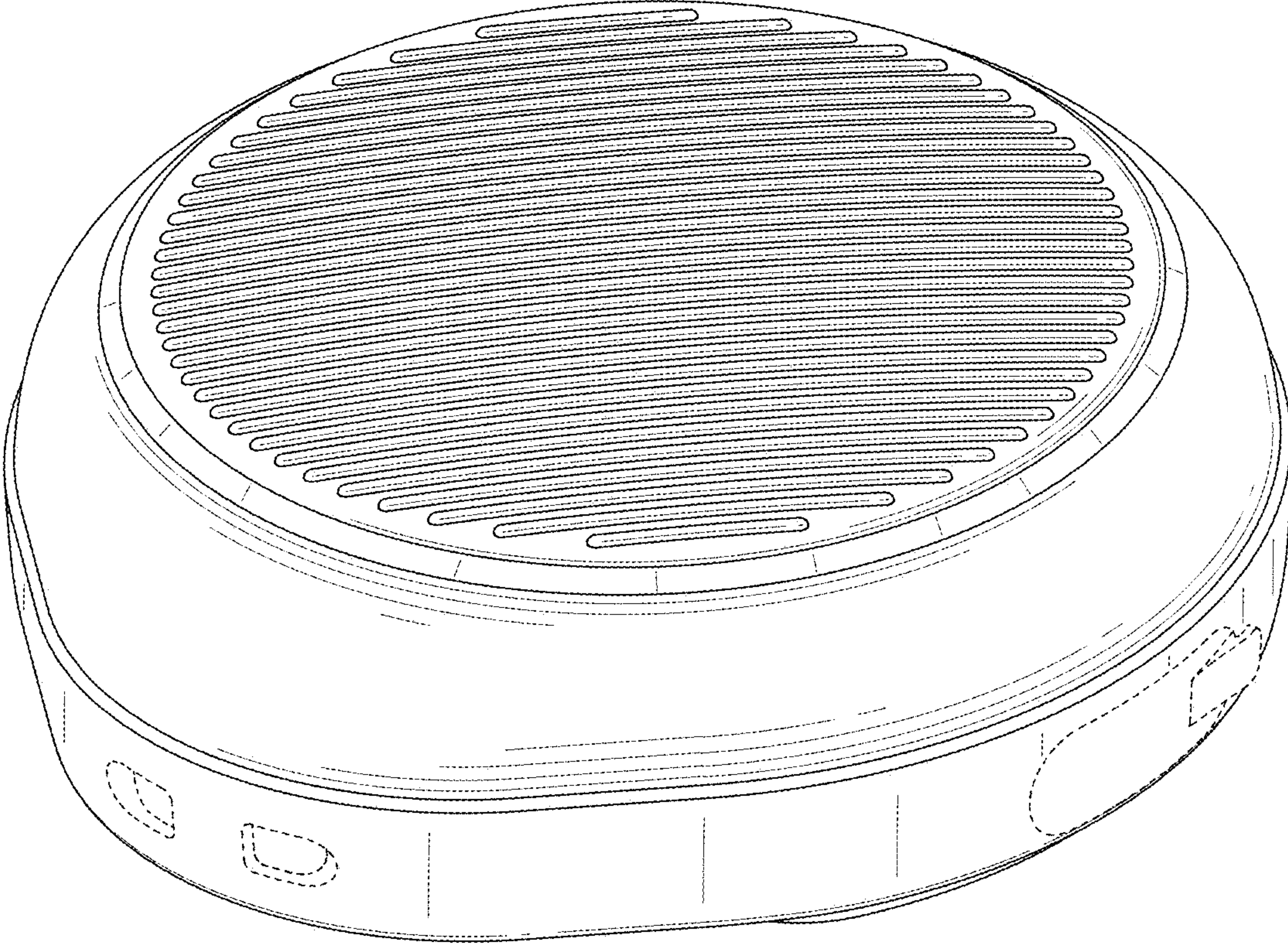


FIG. 2

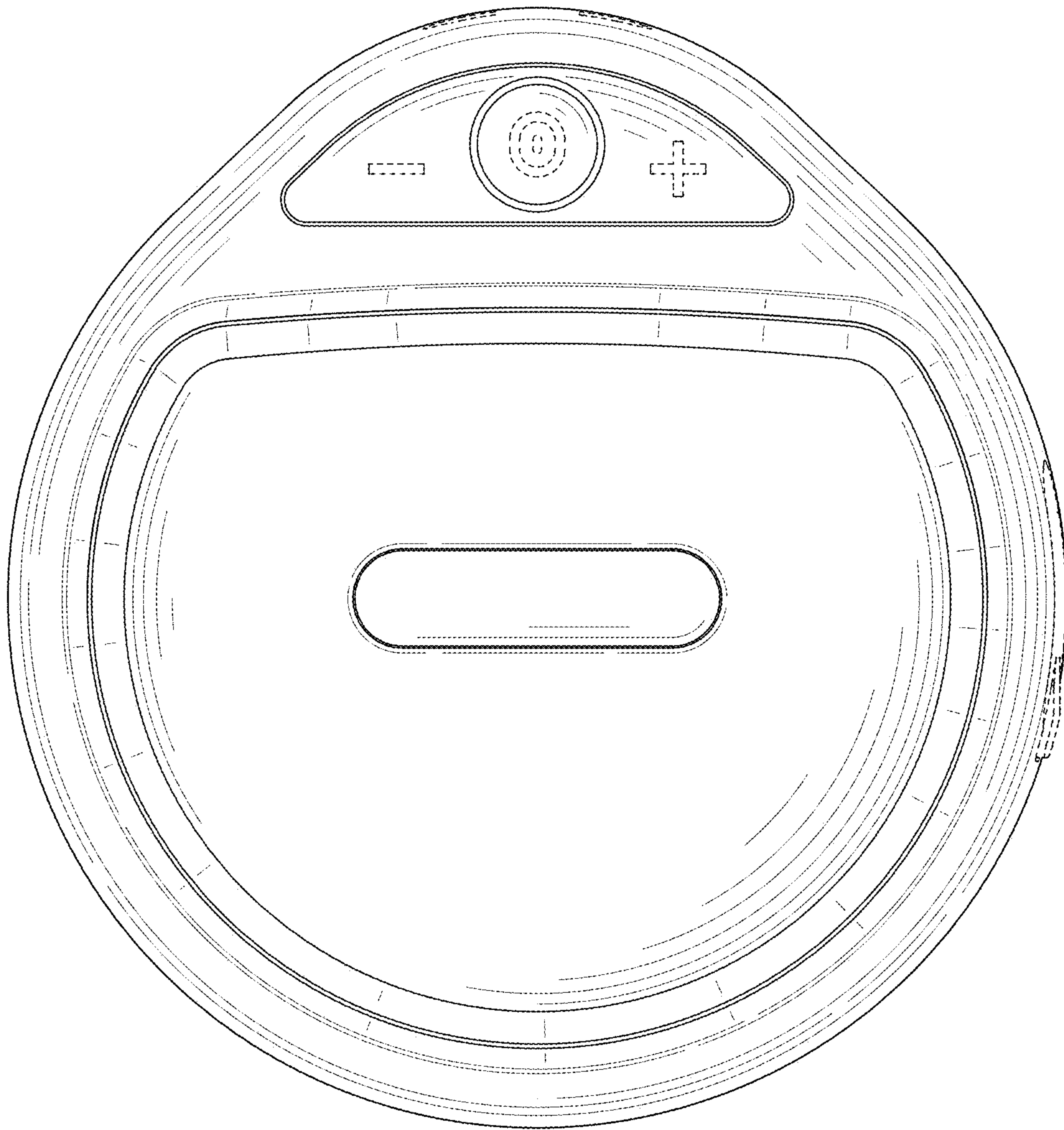


FIG. 3

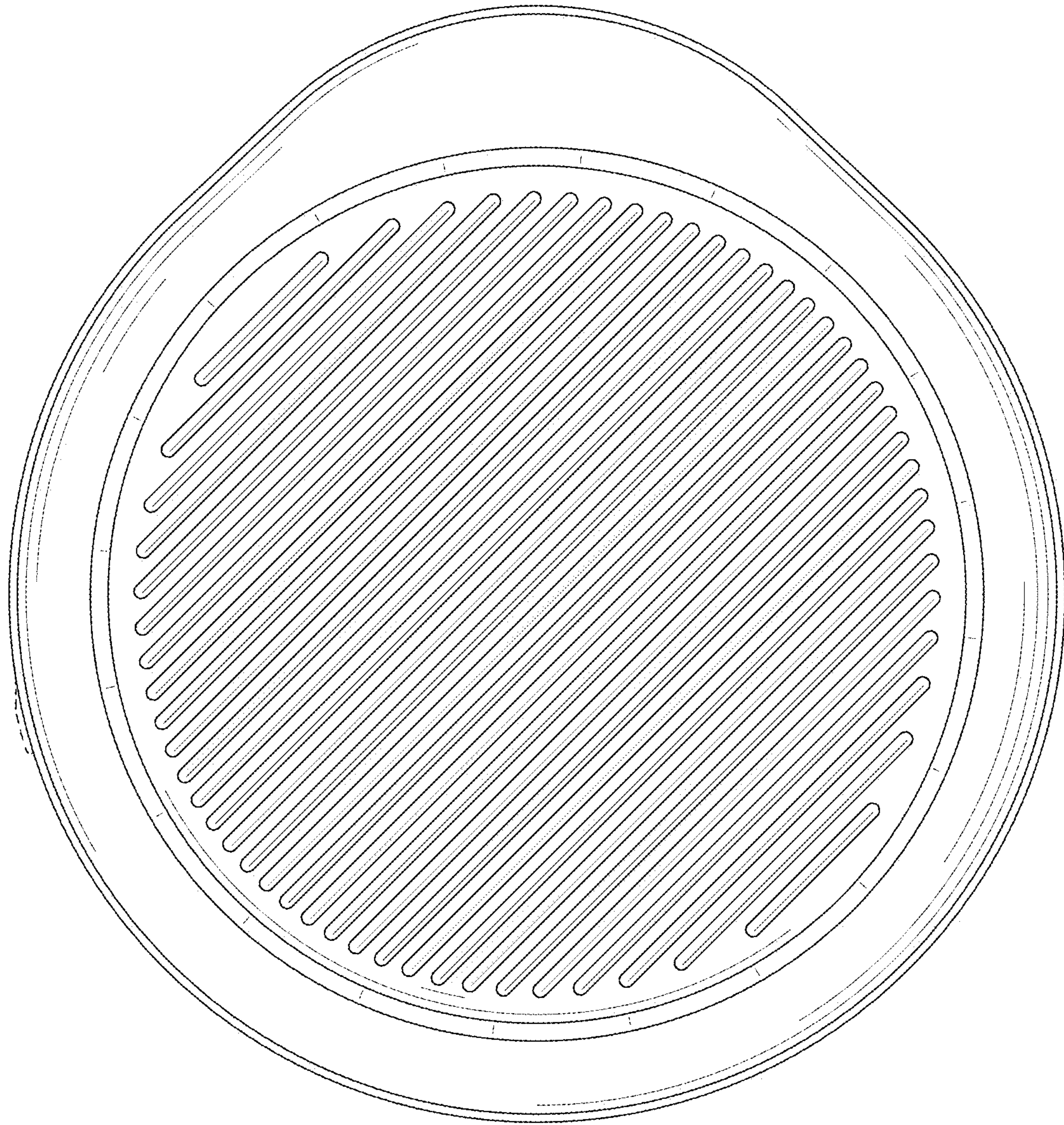


FIG. 4

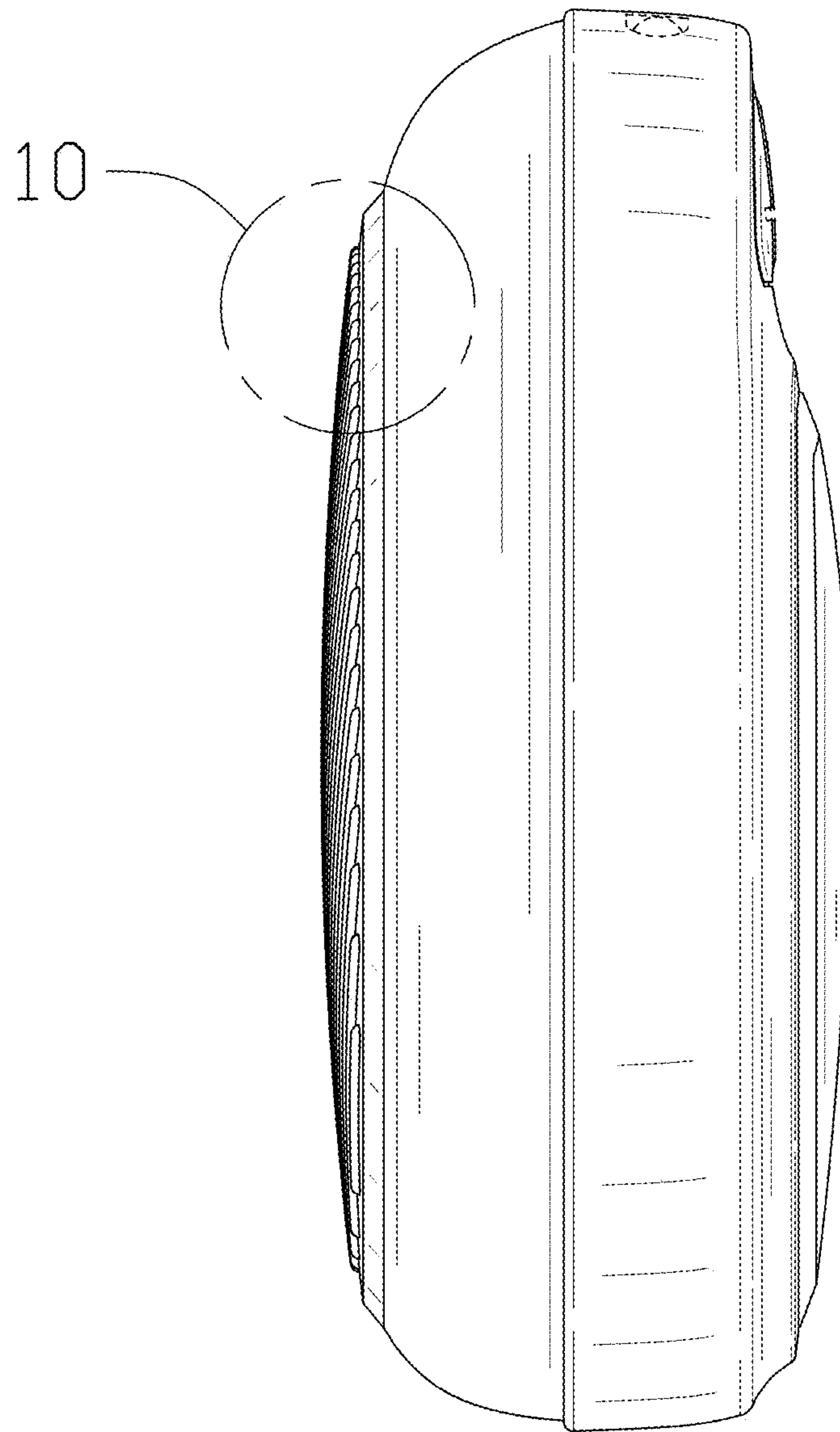


FIG. 5

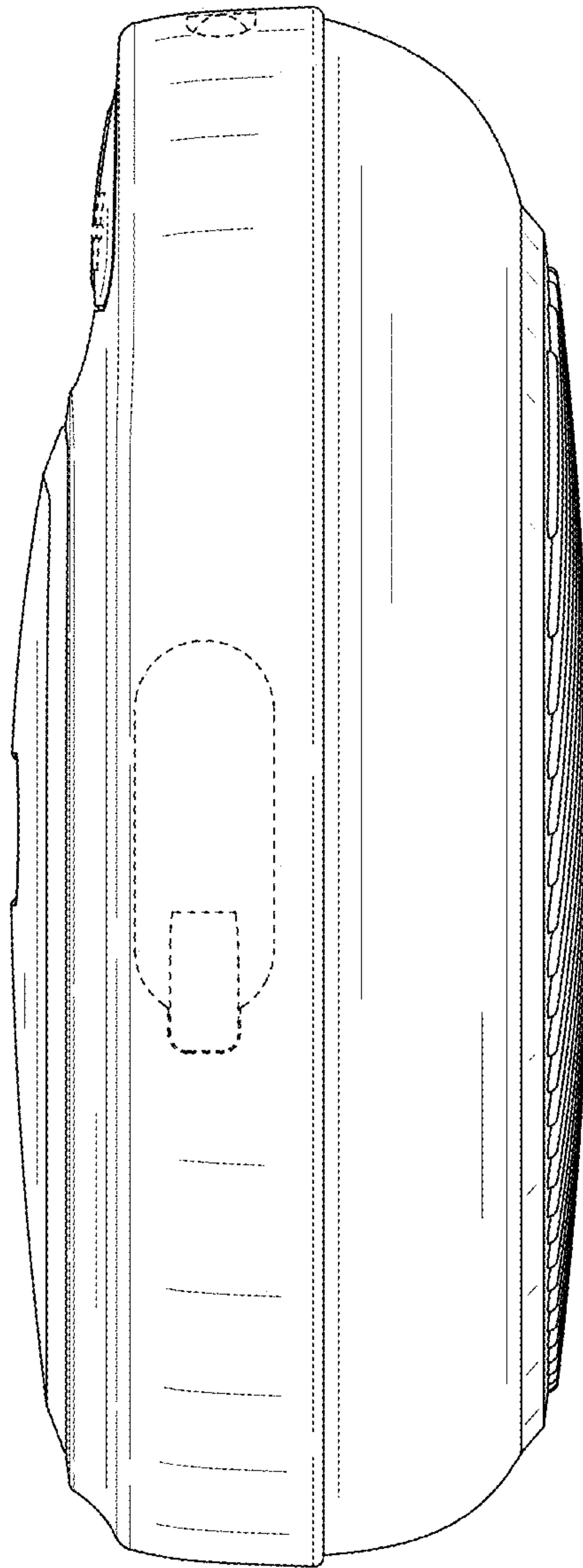


FIG. 6

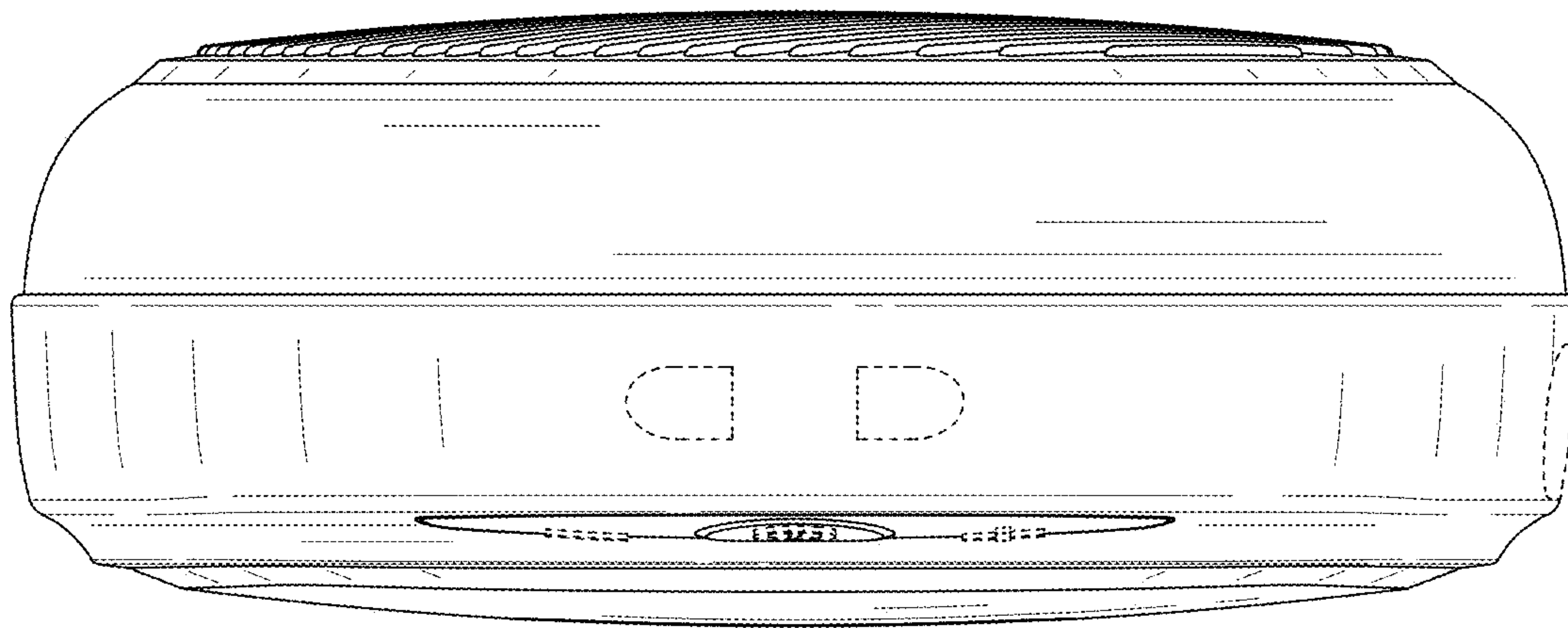


FIG. 7

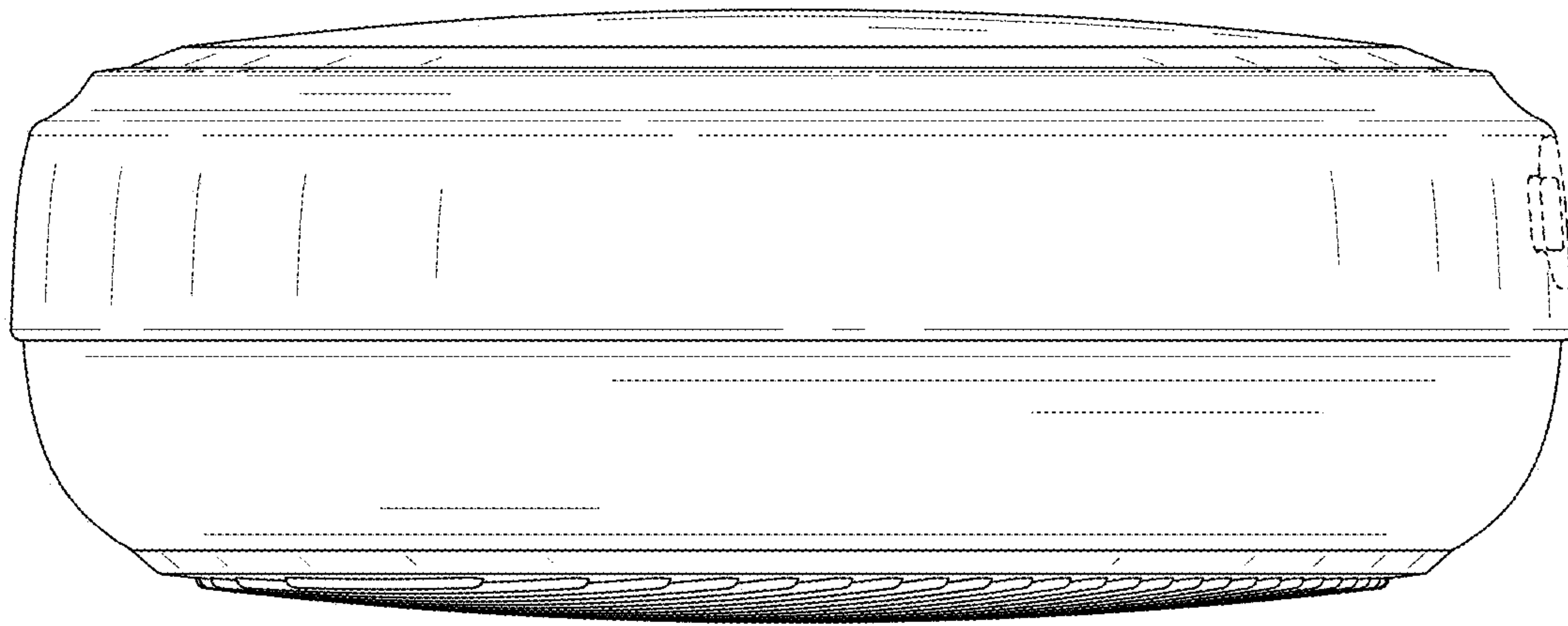


FIG. 8

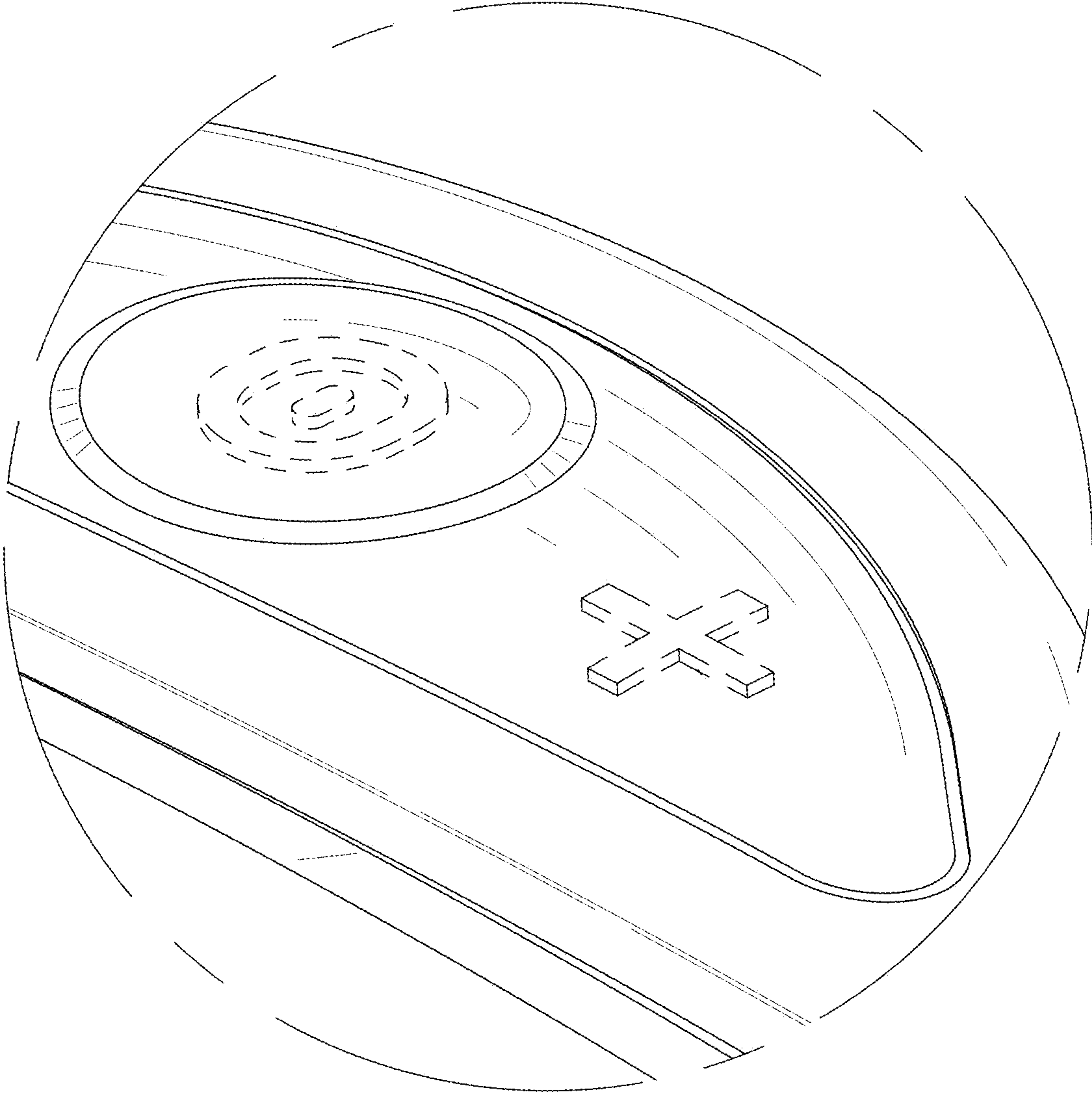


FIG. 9

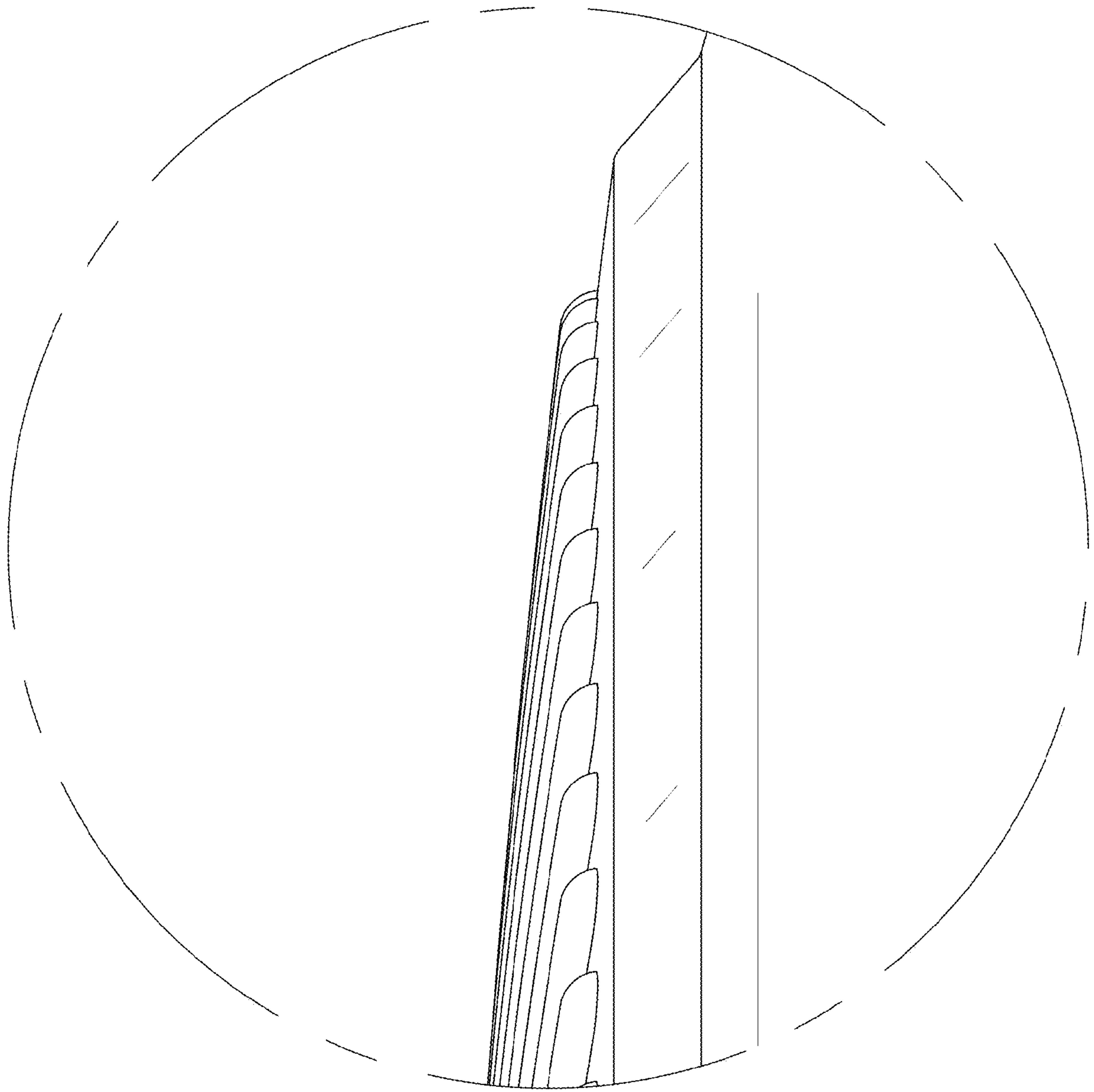


FIG. 10