



US00D932461S

(12) **United States Design Patent**
Hung et al.

(10) **Patent No.:** **US D932,461 S**

(45) **Date of Patent:** **** Oct. 5, 2021**

(54) **SOUNDBAR**

(71) Applicant: **Bose Corporation**, Framingham, MA
(US)

(72) Inventors: **Wei Wen Hung**, Singapore (SG);
Steven A. Silverstein, Marlborough,
MA (US)

(73) Assignee: **Bose Corporation**, Framingham, MA
(US)

(**) Term: **15 Years**

(21) Appl. No.: **29/718,426**

(22) Filed: **Dec. 24, 2019**

(51) **LOC (13) Cl.** **14-01**

(52) **U.S. Cl.**
USPC **D14/204**

(58) **Field of Classification Search**
USPC D14/155–159, 160–173, 187–188,
D14/203.1–203.8, 204–216, 217–222,
D14/223, 225–229, 496; D13/107, 108,
D13/110, 118, 184, 199
CPC H04R 1/02; H04R 1/021; H04R 1/023;
H04R 5/00; H04R 9/06; H04R 2420/07
See application file for complete search history.

(56) **References Cited**

U.S. PATENT DOCUMENTS

D188,461 S	7/1960	Pomper
3,122,215 A	2/1964	Sutton
3,159,719 A	12/1964	Weiss
D310,349 S	9/1990	Rowen
D348,895 S	7/1994	Ito
D393,451 S	4/1998	Faranda et al.
D538,259 S	3/2007	Okamura et al.
D558,736 S	1/2008	Kita
D563,994 S	3/2008	Liu et al.
D634,148 S	3/2011	Morrison
D641,754 S	7/2011	Camarena et al.

D660,284 S	*	5/2012	Carbone	D14/214
D681,606 S	*	5/2013	Nishii	D14/214
D684,129 S		6/2013	Vincent et al.		
D684,957 S	*	6/2013	Smith	D14/242

(Continued)

FOREIGN PATENT DOCUMENTS

JP		1577584 A		5/2017
JP		D1577584	*	5/2017

(Continued)

OTHER PUBLICATIONS

Bose Smart Soundbar 300, date available: Sep. 20, 2020, [retrieved Jan. 14, 2021], Retrieved from Internet, URL: <https://www.amazon.com/Bose-Soundbar-Bluetooth-Connectivity-Control/dp/B08D68QLW3/ref=asc_df_B08D68QLW3/?tag=hyprod-20&linkCode=df%E2%80%A6> (Year: 2020).*

(Continued)

Primary Examiner — Barbara Fox

Assistant Examiner — Aram Kwon

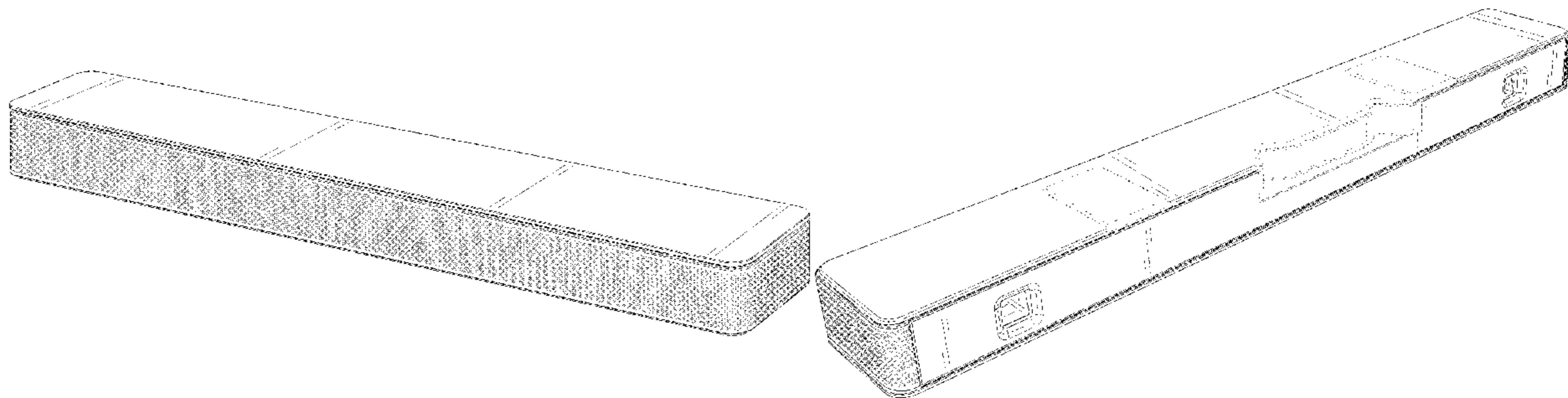
(57) **CLAIM**

The ornamental design for a soundbar, as shown and described.

DESCRIPTION

FIG. 1 is a top, front, right side perspective view of a soundbar;
FIG. 2 is a back, bottom, left side perspective view thereof;
FIG. 3 is a front view thereof;
FIG. 4 is a back view thereof;
FIG. 5 is a left side view thereof;
FIG. 6 is a right side view thereof;
FIG. 7 is a top view thereof; and,
FIG. 8 is a bottom view thereof.
The broken lines in the drawings depict portions of the soundbar that form no part of the claimed design.

1 Claim, 5 Drawing Sheets



(56)

References Cited

U.S. PATENT DOCUMENTS

D688,231 S 8/2013 Nishii
 D708,166 S * 7/2014 Lim D14/209.1
 D715,259 S 10/2014 Han et al.
 D715,768 S 10/2014 Ryu et al.
 D736,306 S 8/2015 Iida
 D739,386 S * 9/2015 Gattinger D14/219
 D739,845 S * 9/2015 Hwang D14/214
 D743,940 S * 11/2015 Yang D14/214
 D747,356 S 1/2016 Jou et al.
 D754,100 S * 4/2016 McManigal D14/214
 D756,968 S * 5/2016 Huang D14/214
 D759,627 S 6/2016 McManigal et al.
 D761,231 S 7/2016 Kim et al.
 D763,238 S * 8/2016 Kim D14/239
 D764,440 S * 8/2016 Xin D14/214
 D766,873 S 9/2016 Washio
 D768,603 S * 10/2016 Kim D14/214
 D772,832 S 11/2016 Han et al.
 D773,436 S 12/2016 Kim et al.
 D774,491 S 12/2016 Kim et al.
 D776,960 S 1/2017 Suzuki et al.
 D778,259 S * 2/2017 Bouroullec D14/214
 D778,639 S 2/2017 Rawls-Meehan et al.
 D787,861 S 5/2017 Ross
 D791,094 S 7/2017 Han et al.
 D791,736 S * 7/2017 Schoolmeester D14/214
 D792,869 S 7/2017 Park et al.
 9,788,114 B2 10/2017 Kofman et al.
 D803,174 S 11/2017 Coffey et al.
 D804,447 S 12/2017 Yoon et al.
 D804,853 S 12/2017 Wightman
 D817,308 S 5/2018 Sugiura
 D818,977 S 5/2018 Kim et al.
 D821,351 S 6/2018 McManigal et al.
 D822,001 S 7/2018 Won et al.
 D823,821 S 7/2018 Kim et al.
 D823,831 S 7/2018 Kim et al.
 D823,832 S 7/2018 Kim et al.
 D826,216 S * 8/2018 Schoolmeester D14/214
 D827,610 S * 9/2018 Kim D14/214
 D835,605 S * 12/2018 Schoolmeester D14/214
 D836,082 S * 12/2018 McManigal D14/204
 D845,269 S * 4/2019 Yang D14/204
 D869,439 S * 12/2019 Kim D14/214
 D874,433 S * 2/2020 Boerner D14/214
 D883,953 S * 5/2020 Chong D14/214
 D900,060 S * 10/2020 Oota D14/214
 D906,283 S * 12/2020 Schoolmeester D14/214

D906,286 S * 12/2020 Hung D14/214
 2012/0263335 A1 10/2012 Breen et al.
 2017/0251305 A1 8/2017 Fathollahi
 2017/0257706 A1 9/2017 Yamazaki et al.
 2017/0347173 A1 11/2017 Prendergast

FOREIGN PATENT DOCUMENTS

JP D1655124 * 3/2020
 JP D1674679 * 12/2020
 TW D119701 A 11/2007

OTHER PUBLICATIONS

TW Search Report dated Dec. 26, 2016 for TW Design Application 105302945.
 Bose Lifestyle 650, announced Oct. 15, 2016 [online], [site visited Feb. 2, 2017]. Available from internet, URL: <https://www.amazon.com/Bose-Lifestyle-Entertainment-System-Black/dp/B01KZH0W31/ref=cm_cr_arp_d_product_top?ie=UTF8>.
 Cedia 2016 (pp. 8-10), announced Sep. 19, 2016 [online], [site visited Feb. 2, 2017]. Available from Internet, URL: <http://www.highdefdigest.com/news/show/games/impressions/ultra-hd-bluray/sony-ubpx1_OOes/KEF/bladetwo/THX/ci/Atmos/dtsx/modulus/Monoprice/monolith-m1060/Integra/drx1/bose/soundtouch-300/lifestyle-650/omnijewelspeakers/Control4/lg-sign>.
 SoundTouch 300 Soundbar, announced Sep. 13, 2016 [online], [site visited Feb. 2, 2017]. Available from internet, URL: <<http://www.businesswire.com/news/home/20160913006105/en/Bose-Introduces-Wireless-Soundbar-Surround-Sound-Systems>>.
 What Hi Fi—Bose SoundTouch 300, announced Nov. 28, 2016 [online], [site visited Mar. 29, 2018]. Available from internet, URL: <<https://www.whathifi.com/bose/soundtouch-300/review>>.
 Bose Soundbar 500 purchase page, [online], [site visited Mar. 5, 2020]. Available from internet, URL: <https://www.bose.com/en_us/products/speakers/home_theater/bose-soundbar-500-package/buy.html>.
 Bose Soundbar 700 purchase page, [online], [site visited Mar. 5, 2020]. Available from internet, URL: <https://www.bose.com/en_us/products/speakers/home_theater/bose-soundbar-700-package/buy.html#v=bose_soundbar_700_pkg_sb_700_black>.
 Bose SoundTouch 300 soundbar purchase page, [online], [site visited Mar. 5, 2020]. Available from internet, URL: <https://www.bose.com/en_us/products/speakers/home_theater/soundtouch-300-soundbar-package/buy.html>.
 Design U.S. Appl. No. 29/657,453, filed Jul. 23, 2018.

* cited by examiner

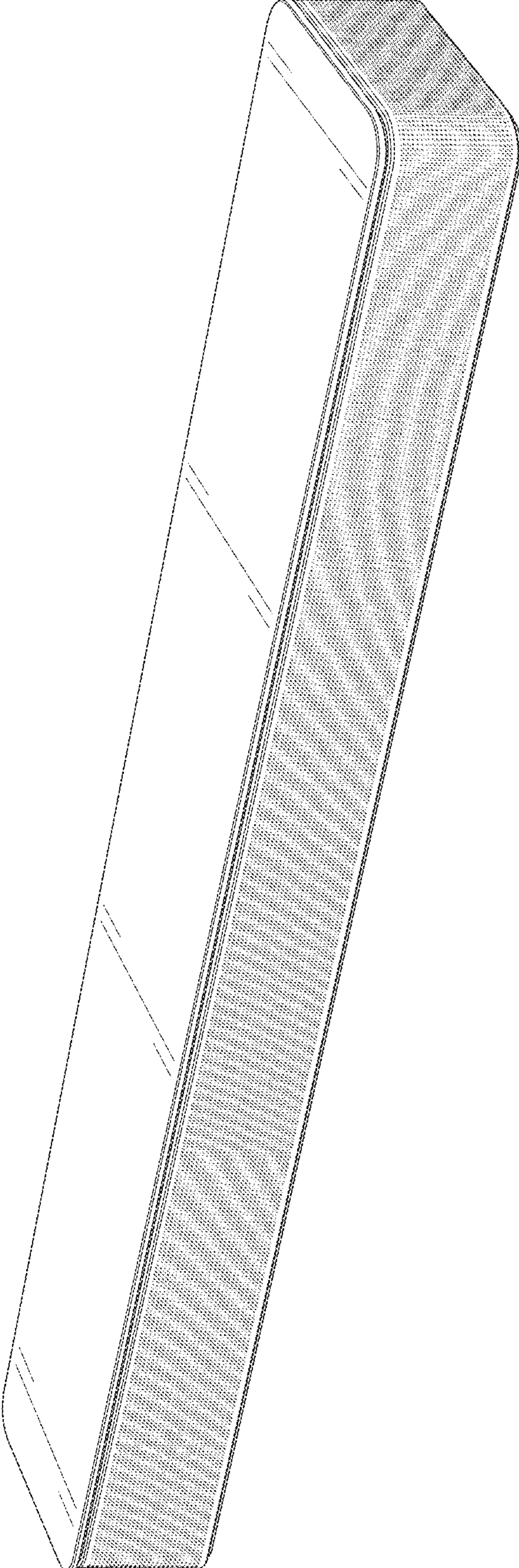


FIG. 1

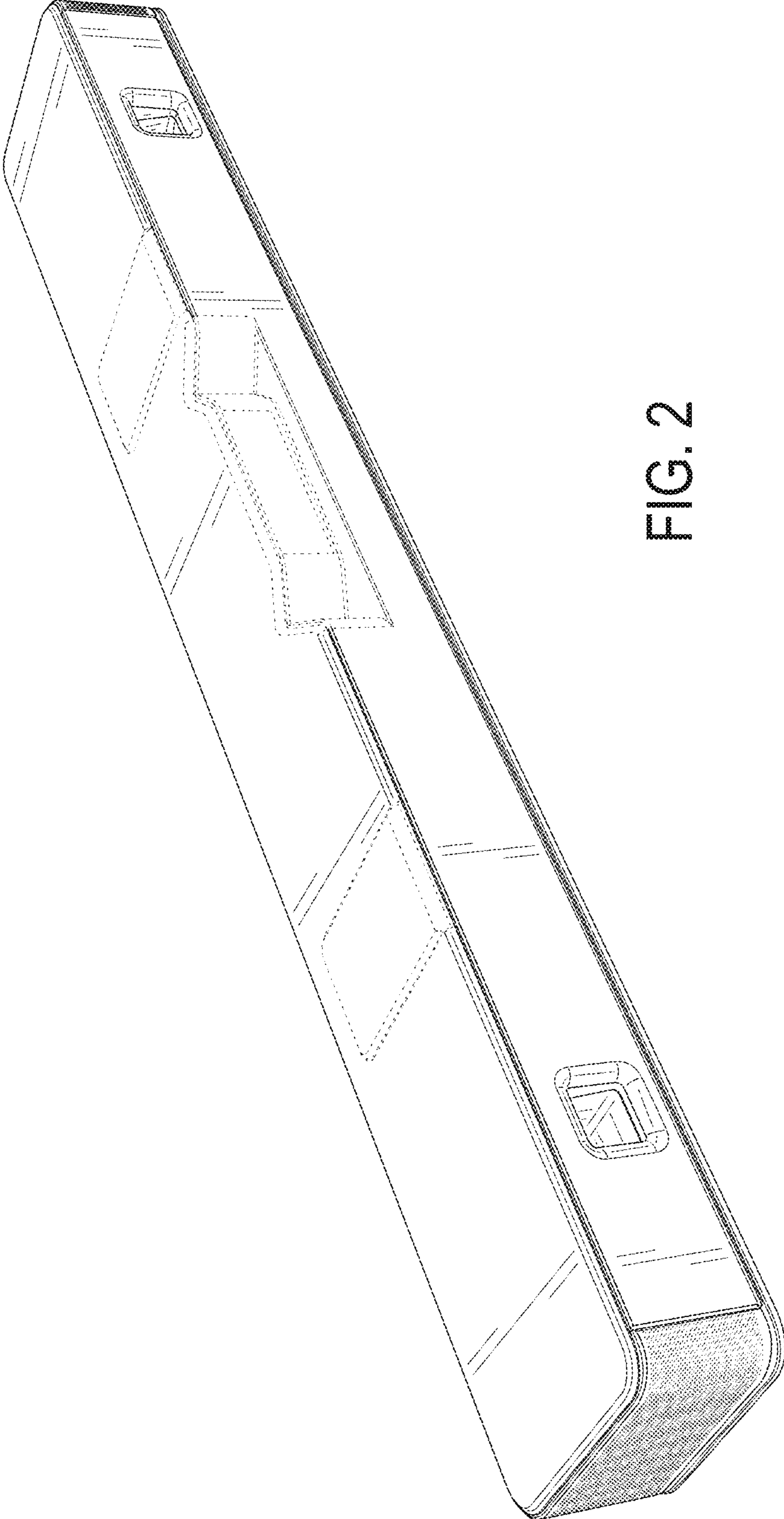


FIG. 2

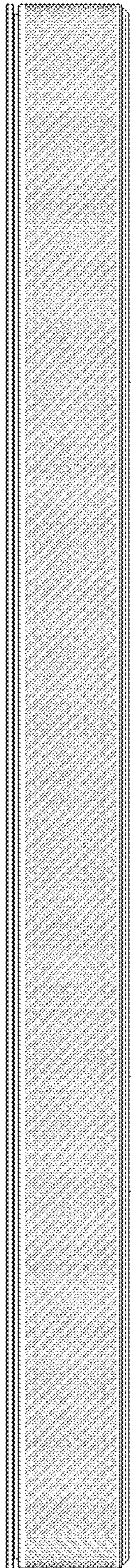


FIG. 3

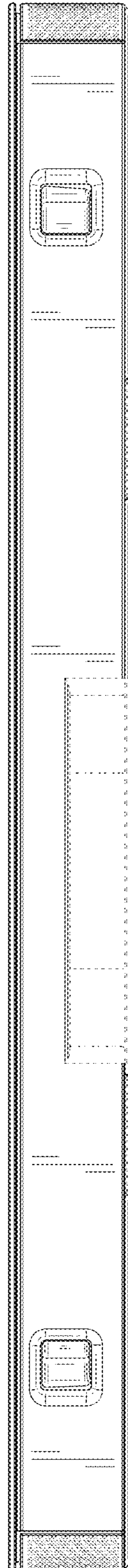


FIG. 4

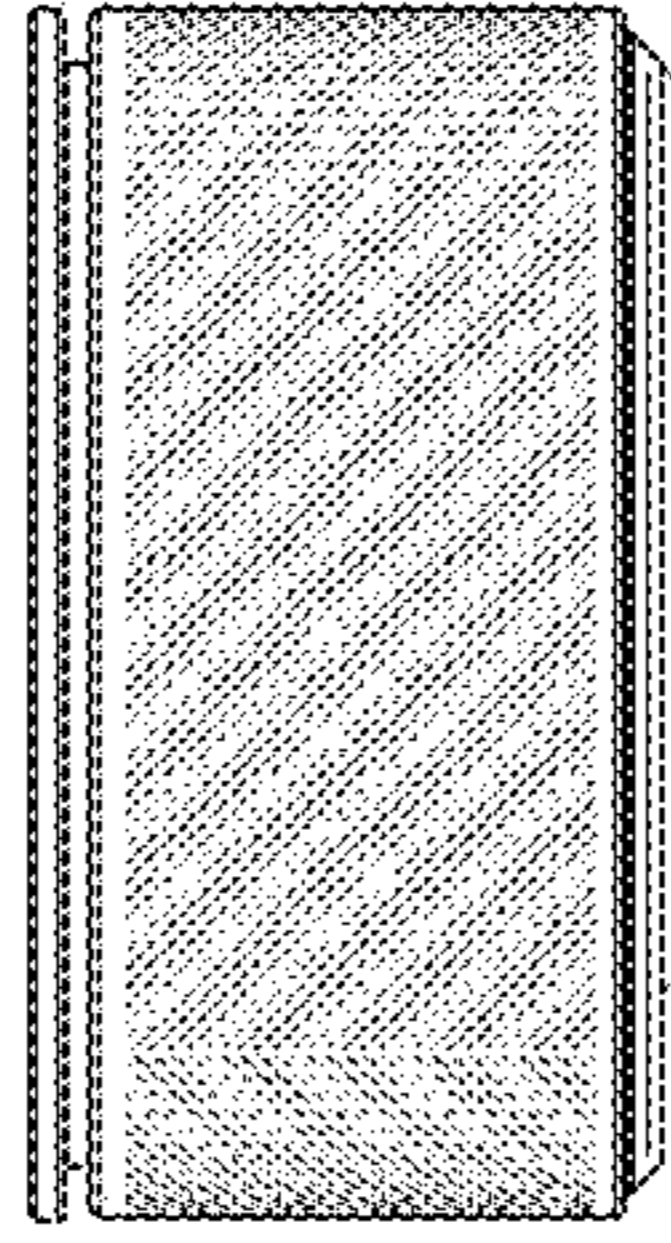


FIG. 5

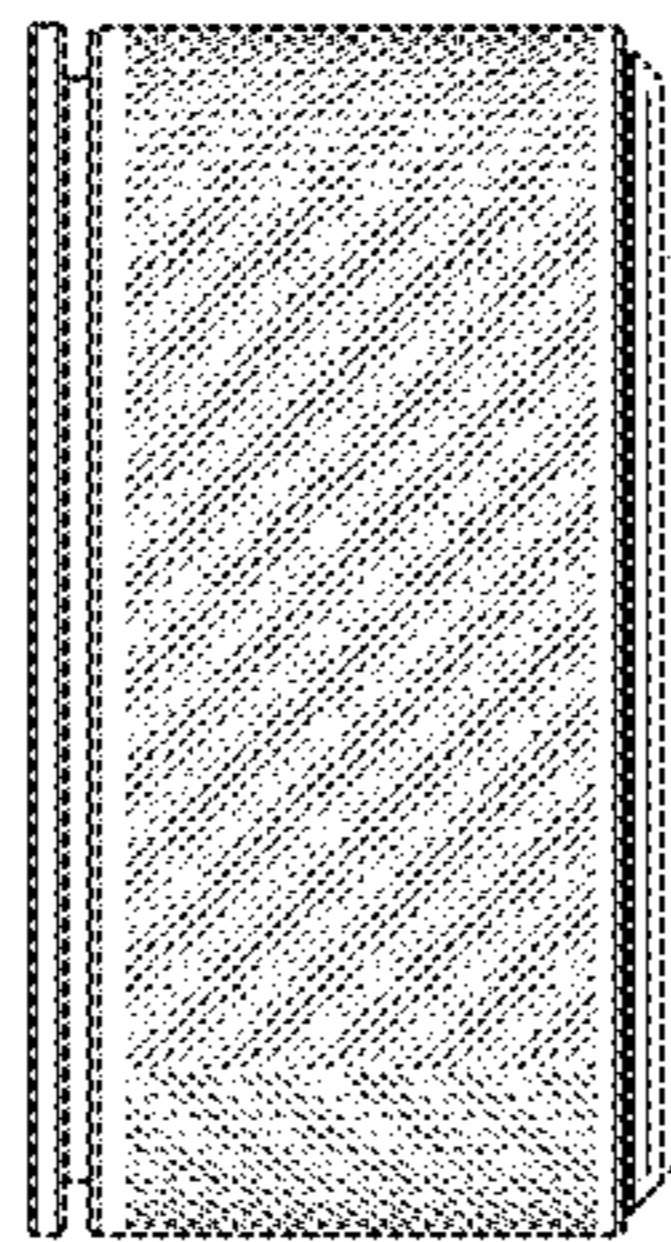


FIG. 6

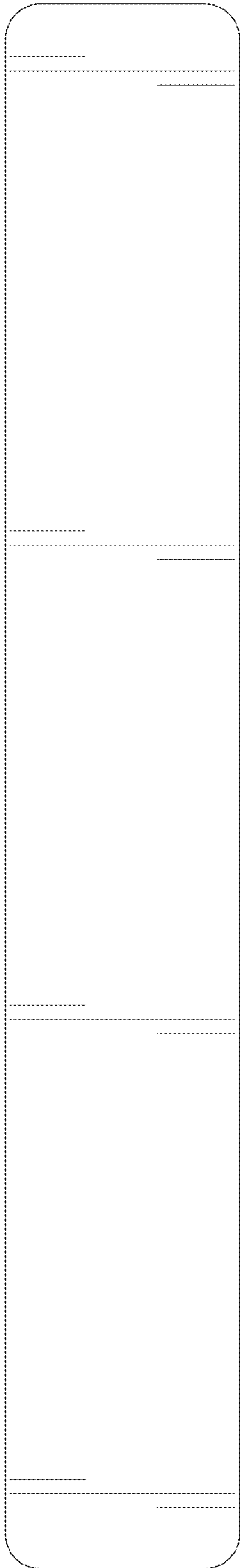


FIG. 7

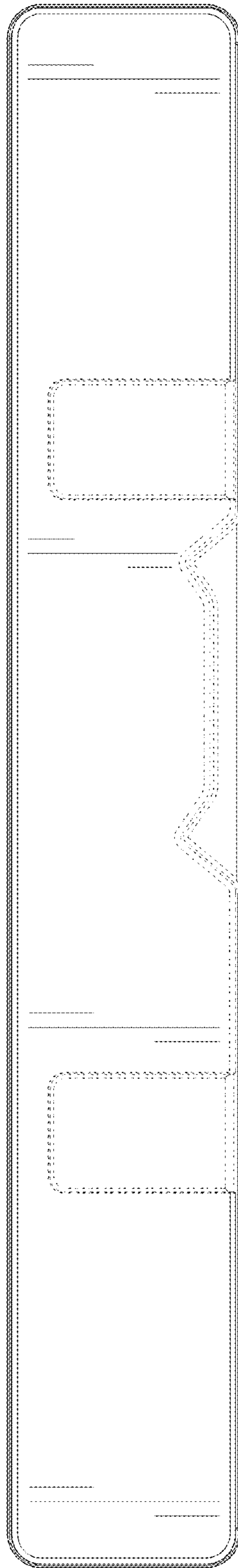


FIG. 8