



US00D932458S

(12) **United States Design Patent** (10) **Patent No.:** **US D932,458 S**  
**Yang et al.** (45) **Date of Patent:** **\*\* Oct. 5, 2021**

(54) **BAMBOO AMPLIFIER AND HOLDER**

(56) **References Cited**

(71) Applicants: **John Peng Chang Yang**, Lakeland, FL (US); **Sarah Shu Ming Yang**, Lakeland, FL (US)

U.S. PATENT DOCUMENTS

(72) Inventors: **John Peng Chang Yang**, Lakeland, FL (US); **Sarah Shu Ming Yang**, Lakeland, FL (US)

D294,669	S	*	3/1988	Litowitz	.....	D6/580
4,756,382	A	*	7/1988	Hudson, III	.....	H04R 1/227 181/141
5,161,656	A	*	11/1992	Brenner	.....	A45C 3/00 150/117
D338,149	S	*	8/1993	Adams	.....	D8/107
D471,650	S	*	3/2003	Dani	.....	D25/126
D649,855	S	*	12/2011	Warmenhoven	.....	D8/305
8,206,542	B2	*	6/2012	Van Houten	.....	B27J 1/003 156/254
D663,186	S	*	7/2012	Hsu	.....	D8/86
D687,810	S	*	8/2013	Son	.....	D14/210
D738,847	S	*	9/2015	Park	.....	D14/188
D828,960	S	*	9/2018	Shugar	.....	D28/85
D882,231	S	*	4/2020	Larian	.....	D2/966
D885,518	S	*	5/2020	Cuconu	.....	D23/207

(\*\*) Term: **15 Years**

(21) Appl. No.: **29/655,563**

(22) Filed: **Jul. 5, 2018**

(51) **LOC (13) Cl.** ..... **14-03**

(52) **U.S. Cl.**  
USPC ..... **D14/188**

(58) **Field of Classification Search**  
USPC ..... D14/167, 168, 170-172, 187, 188, D14/194-196, 204, 207, 209.1, 210-216, D14/219, 221, 222, 224, 239, 496; 181/143, 144, 147, 148, 150, 153, 157, 181/198, 199; 381/300-303, 306, 332, 381/333, 336, 345, 361-364, 386-388; 369/6-12

CPC ..... B60R 11/0217; G06F 1/1688; G10K 9/22; G10K 11/004; H03F 1/327; H04M 1/03; H04M 1/035; H04N 5/642; H04N 21/4852; H04R 1/02; H04R 1/06; H04R 1/021; H04R 1/025; H04R 1/026; H04R 1/028; H04R 1/105; H04R 1/323; H04R 1/403; H04R 1/2803; H04R 1/2834; H04R 5/02; H04R 7/20; H04R 9/06; H04R 9/025; H04R 2201/021; H04R 2400/00; H04R 2400/07; H04R 2499/11; H04R 2499/13; H04R 2499/15; H04S 3/00; H04S 7/30

See application file for complete search history.

\* cited by examiner

*Primary Examiner* — Katie Jane Stofko  
(74) *Attorney, Agent, or Firm* — Cygnet IP Law, P.A.; Stephen W. Aycock, II

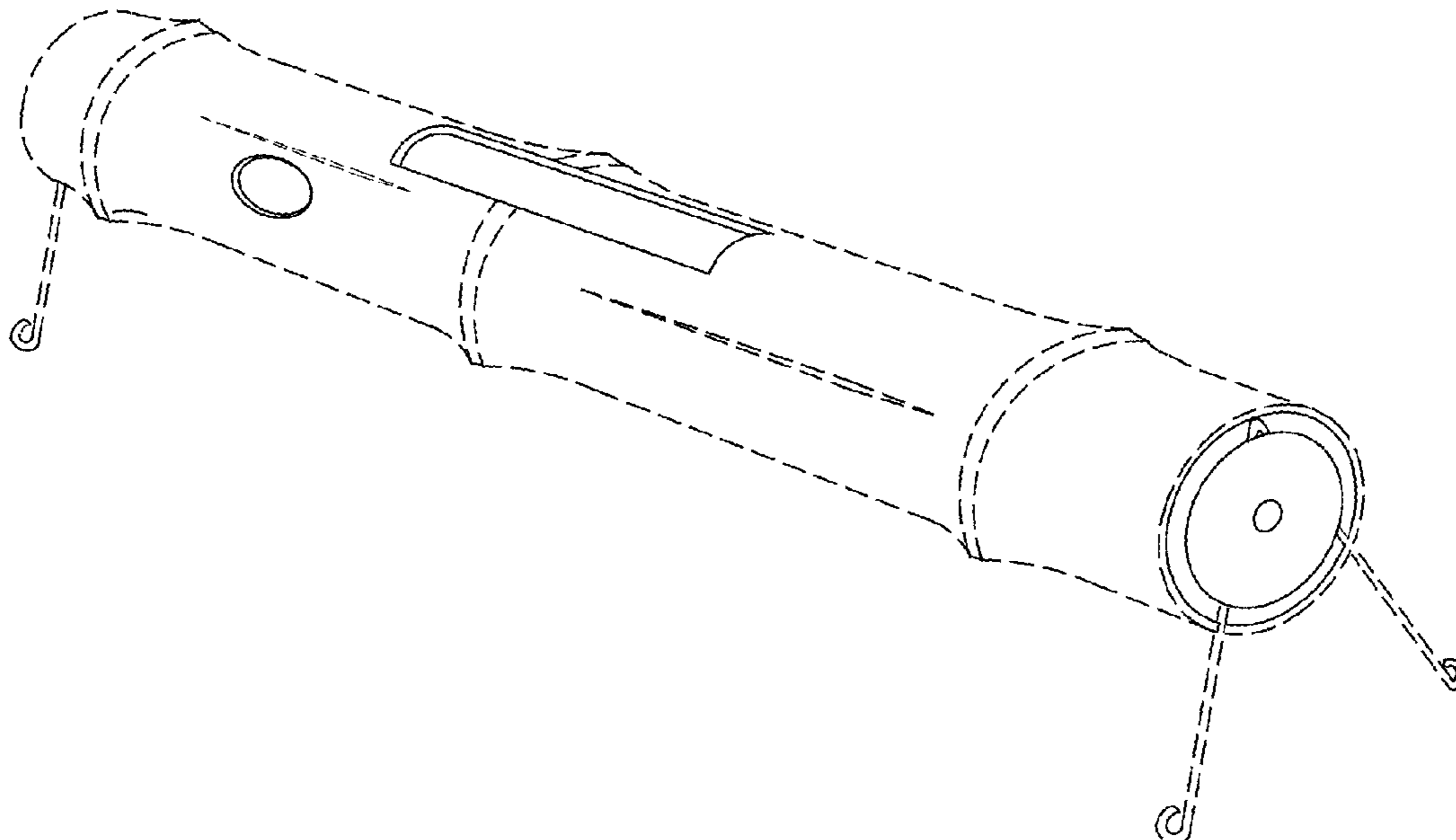
(57) **CLAIM**

The ornamental design for a bamboo amplifier and holder, as shown and described.

**DESCRIPTION**

FIG. 1 is a left side elevation view of a bamboo amplifier and holder showing my new design;  
FIG. 2 is a right side elevation view thereof;  
FIG. 3 is a front elevation view thereof;  
FIG. 4 is a top, front perspective view thereof; and,  
FIG. 5 is a left side, top, front perspective view thereof.  
The broken lines in FIGS. 1-5 illustrate portions of the bamboo amplifier and holder that form no part of the claimed design.

**1 Claim, 5 Drawing Sheets**



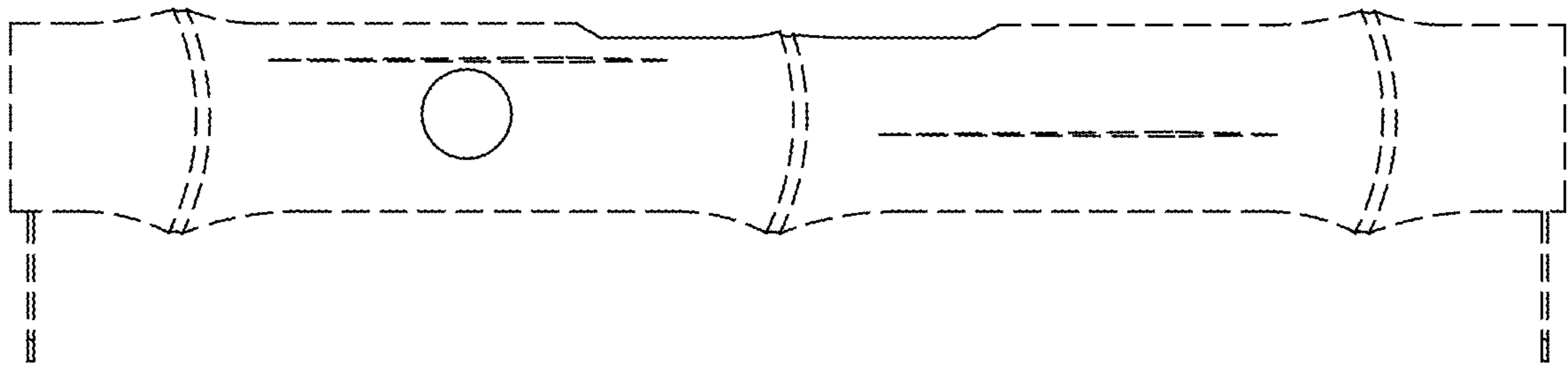


FIG. 1

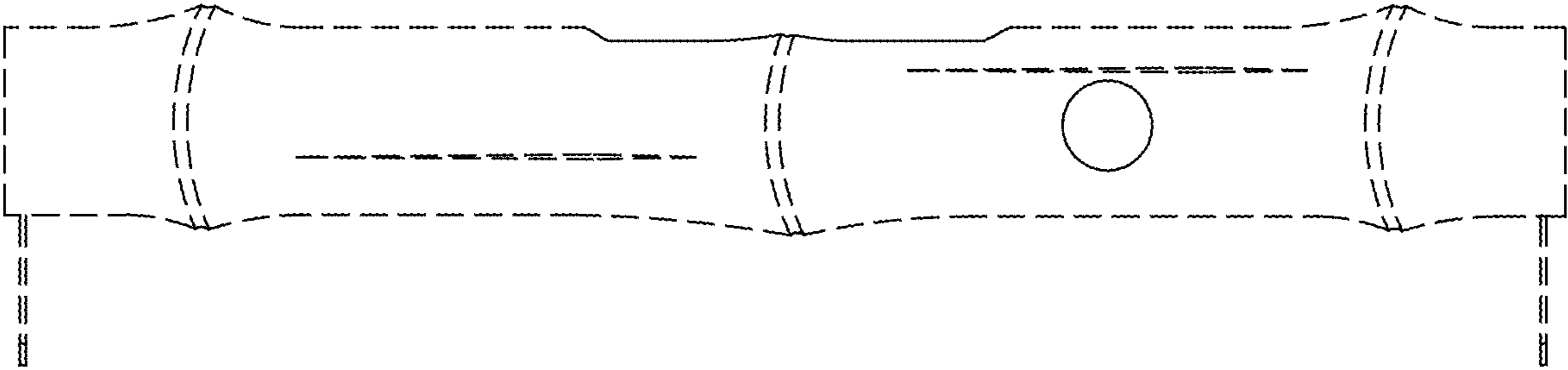


FIG. 2

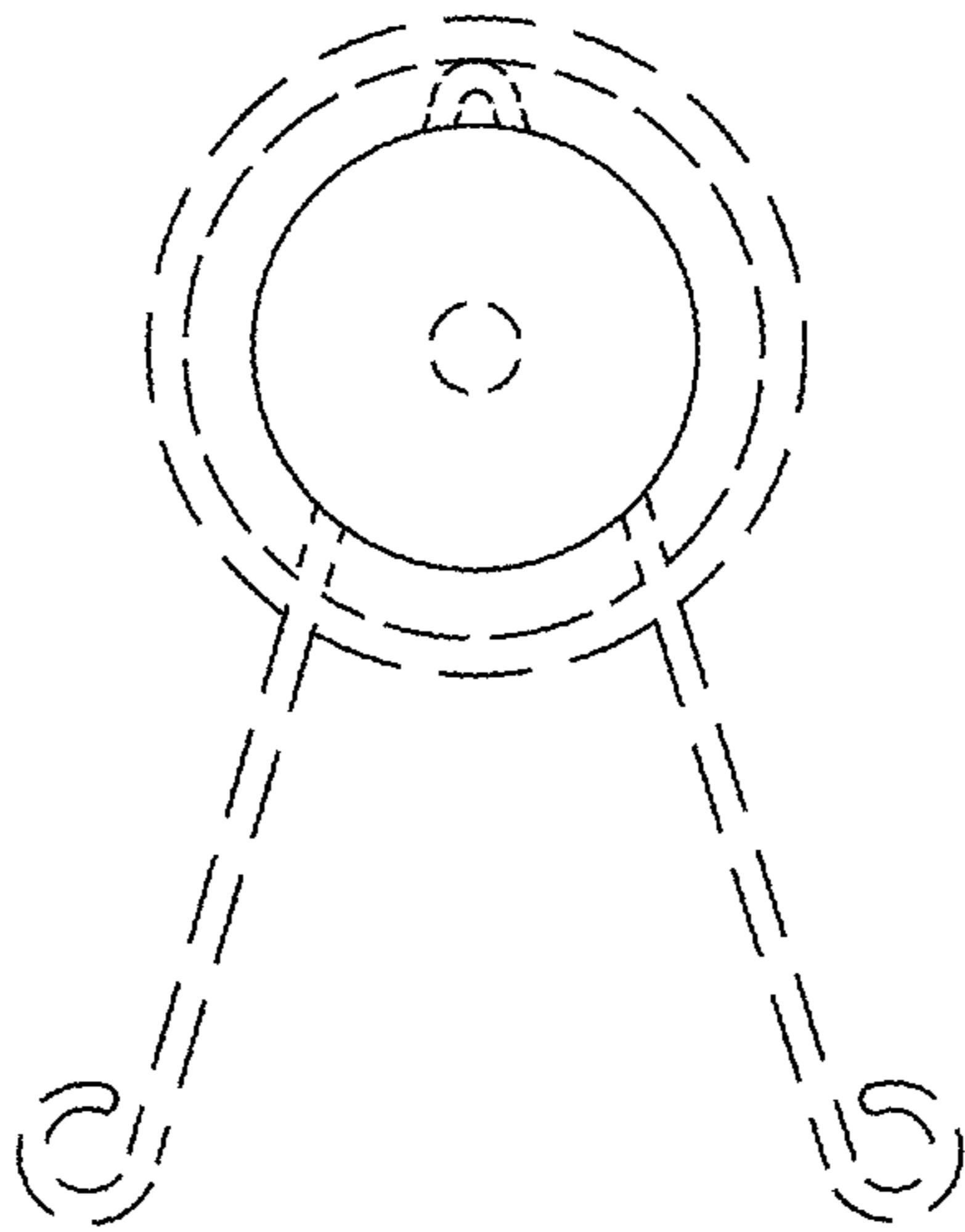


FIG. 3

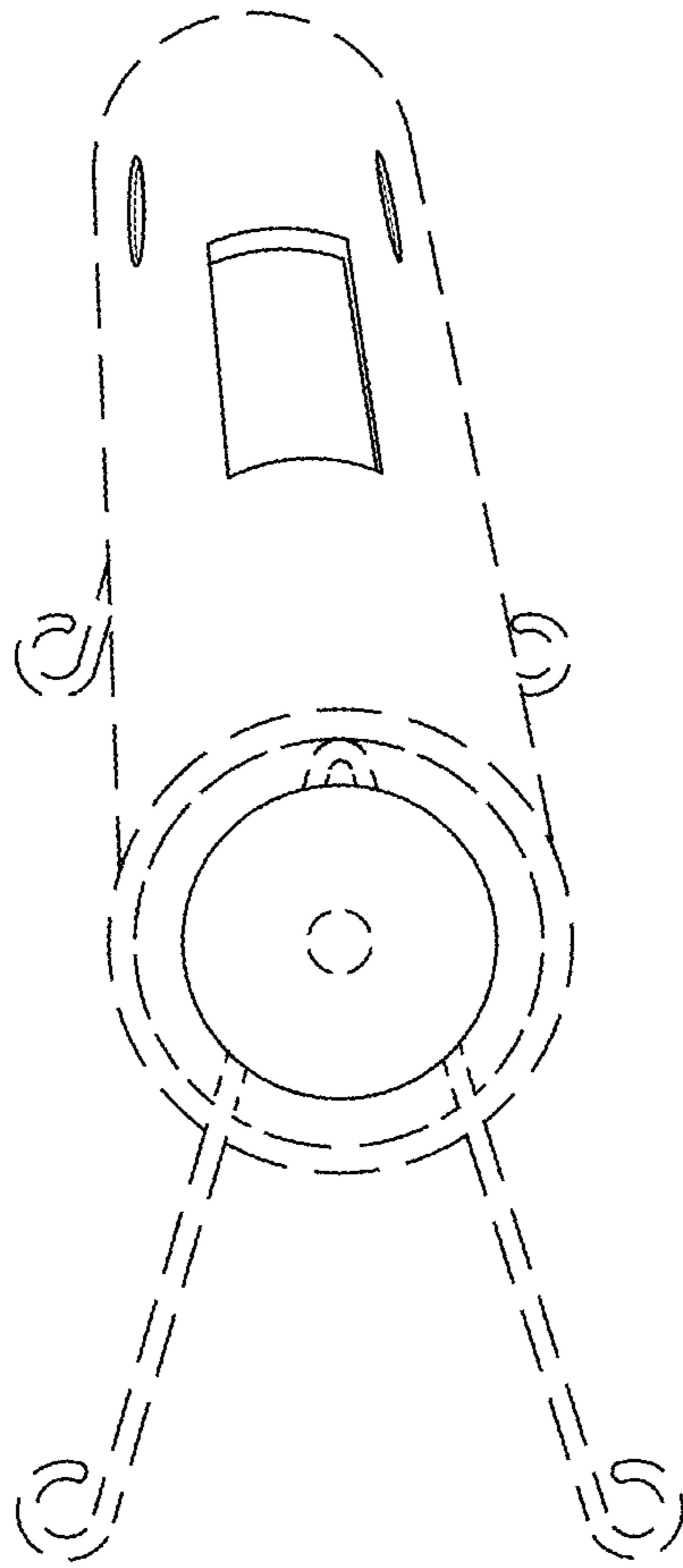


FIG. 4

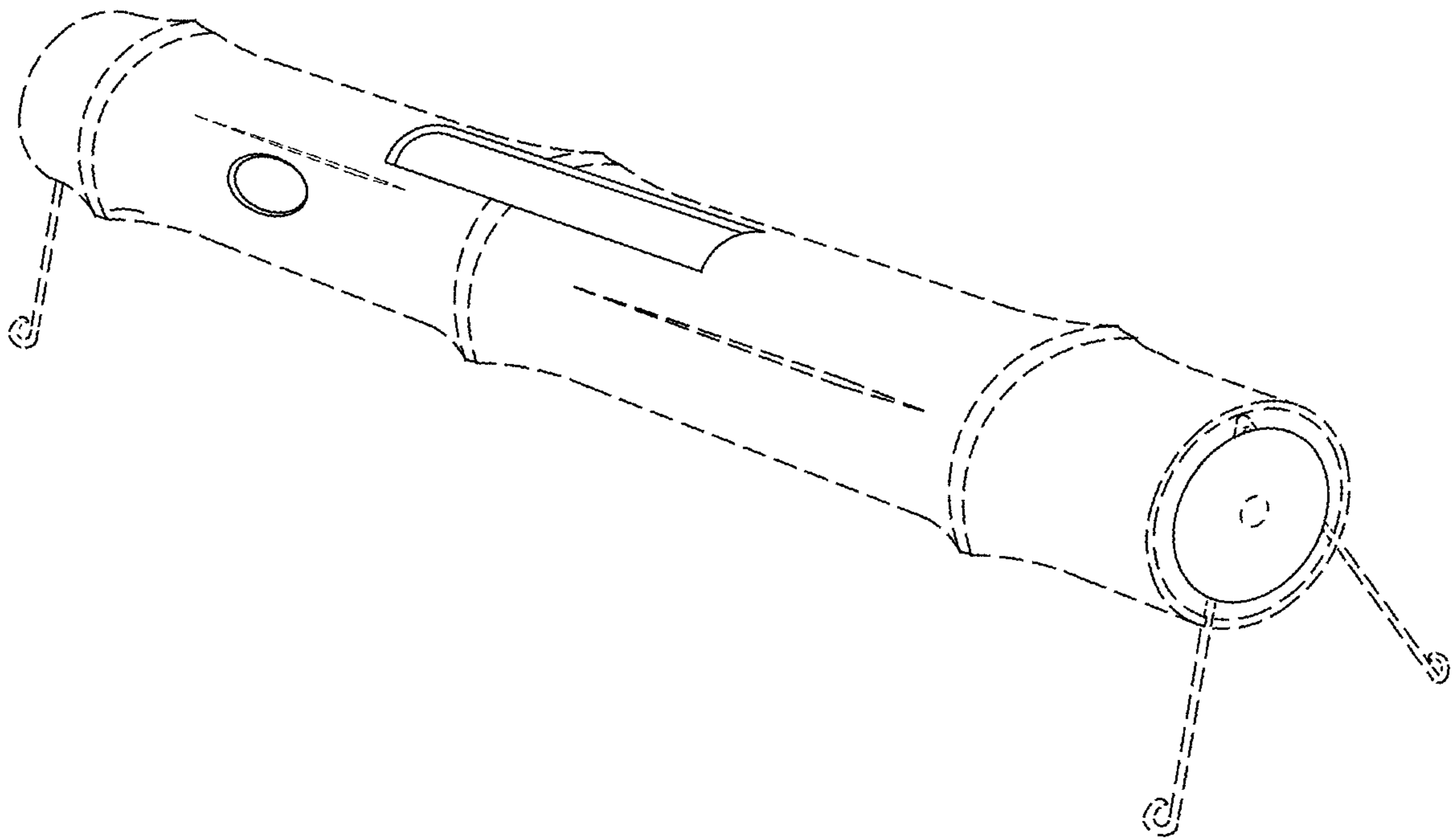


FIG. 5