



US00D932455S

(12) **United States Design Patent**
Zhou

(10) **Patent No.:** **US D932,455 S**
(45) **Date of Patent:** **** Oct. 5, 2021**

(54) **FM TRANSMITTER**

(71) Applicant: **SHENZHEN QIANHAI PATUOXUN NETWORK AND TECHNOLOGY CO., LTD**, Shenzhen (CN)

(72) Inventor: **Dechan Zhou**, Shenzhen (CN)

(73) Assignee: **SHENZHEN QIANHAI PATUOXUN NETWORK AND TECHNOLOGY CO., LTD**, Shenzhen (CN)

(**) Term: **15 Years**

(21) Appl. No.: **29/755,307**

(22) Filed: **Oct. 19, 2020**

(51) **LOC (13) Cl.** **14-03**

(52) **U.S. Cl.**
USPC **D14/155**

(58) **Field of Classification Search**
USPC D14/167, 154, 168, 188, 496, 156, 160, D14/161, 162, 163, 164, 165, 158, 341, D14/346, 342, 345, 137, 155, 218, 225; D16/208; D26/38; 455/351, 350; D10/104.1, 106, 65
CPC H04B 1/385; H04M 1/6091; H04M 1/6066
See application file for complete search history.

(56) **References Cited**

U.S. PATENT DOCUMENTS

D800,684 S 10/2017 Xiao
D871,363 S * 12/2019 Tang D14/155

D873,233 S *	1/2020	Du	D14/155
D873,234 S *	1/2020	Du	D14/155
D875,062 S *	2/2020	Du	D14/155
D875,063 S *	2/2020	Du	D14/155
D897,982 S *	10/2020	Du	D14/155
D898,696 S *	10/2020	Du	D14/155
D898,697 S *	10/2020	Du	D14/155
D909,329 S *	2/2021	Zhou	D14/155
D921,603 S *	6/2021	Zhou	D14/155

* cited by examiner

Primary Examiner — Austin Murphy

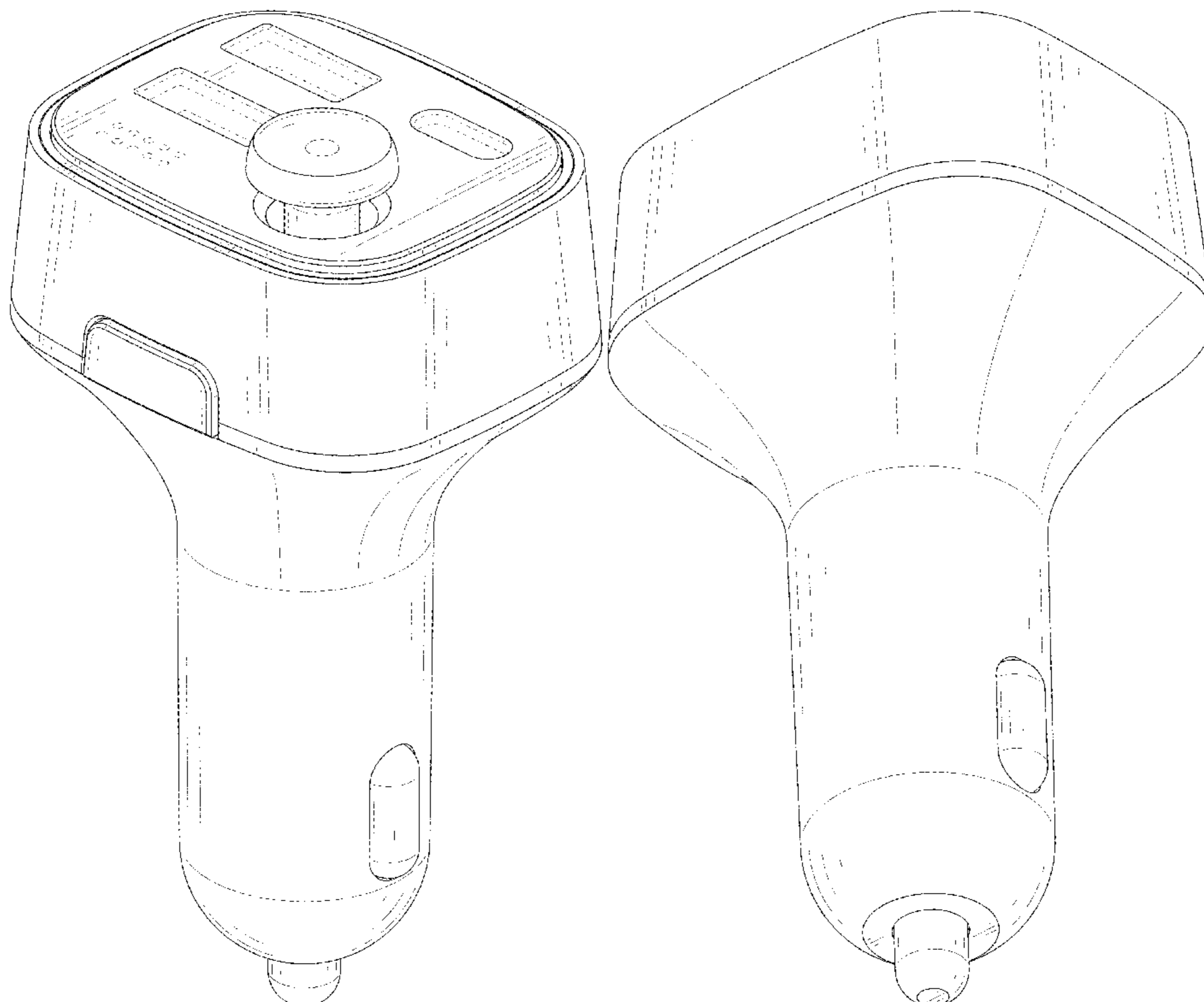
(57) **CLAIM**

The ornamental design for an FM transmitter, as shown and described.

DESCRIPTION

FIG. 1 is a perspective view of an FM transmitter showing my new design;
FIG. 2 is another perspective view thereof;
FIG. 3 is a front elevational view thereof;
FIG. 4 is a rear elevational view thereof;
FIG. 5 is a left side elevational view thereof;
FIG. 6 is a right side elevational view thereof;
FIG. 7 is a top plan view thereof; and,
FIG. 8 is a bottom plan view thereof.
The broken lines in the drawings depict portions of the FM transmitter that form no part of the claimed design.

1 Claim, 8 Drawing Sheets



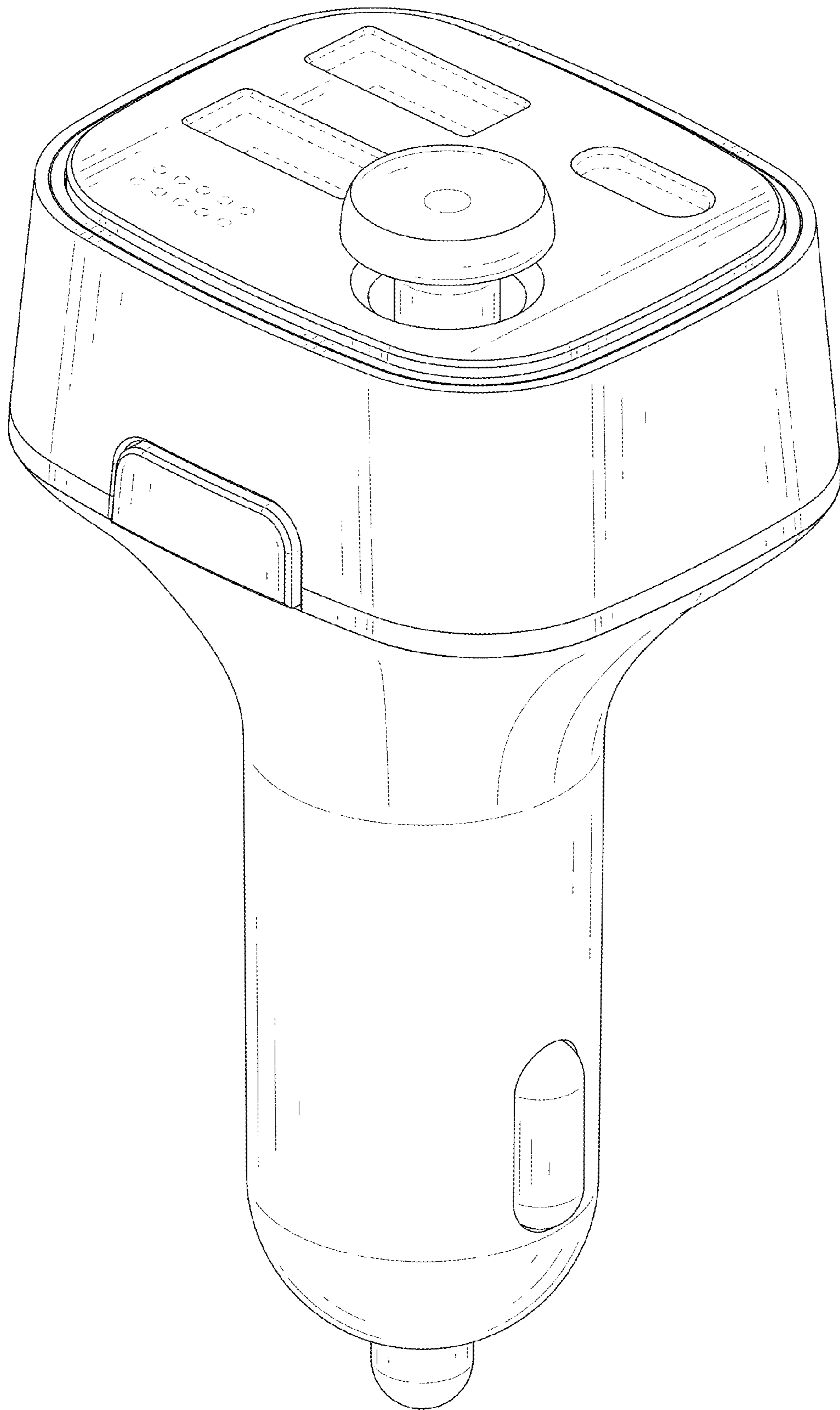


FIG. 1

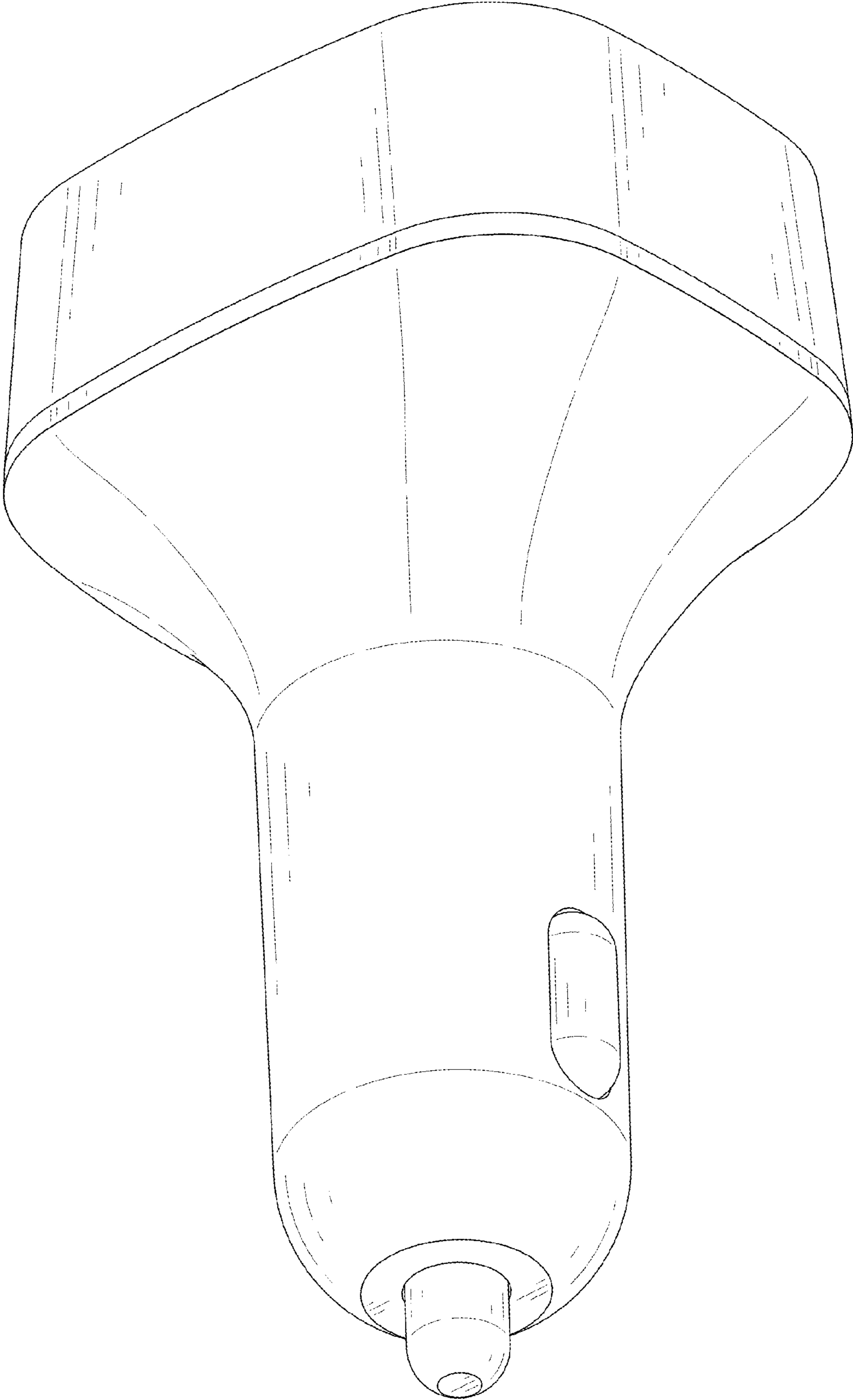


FIG. 2

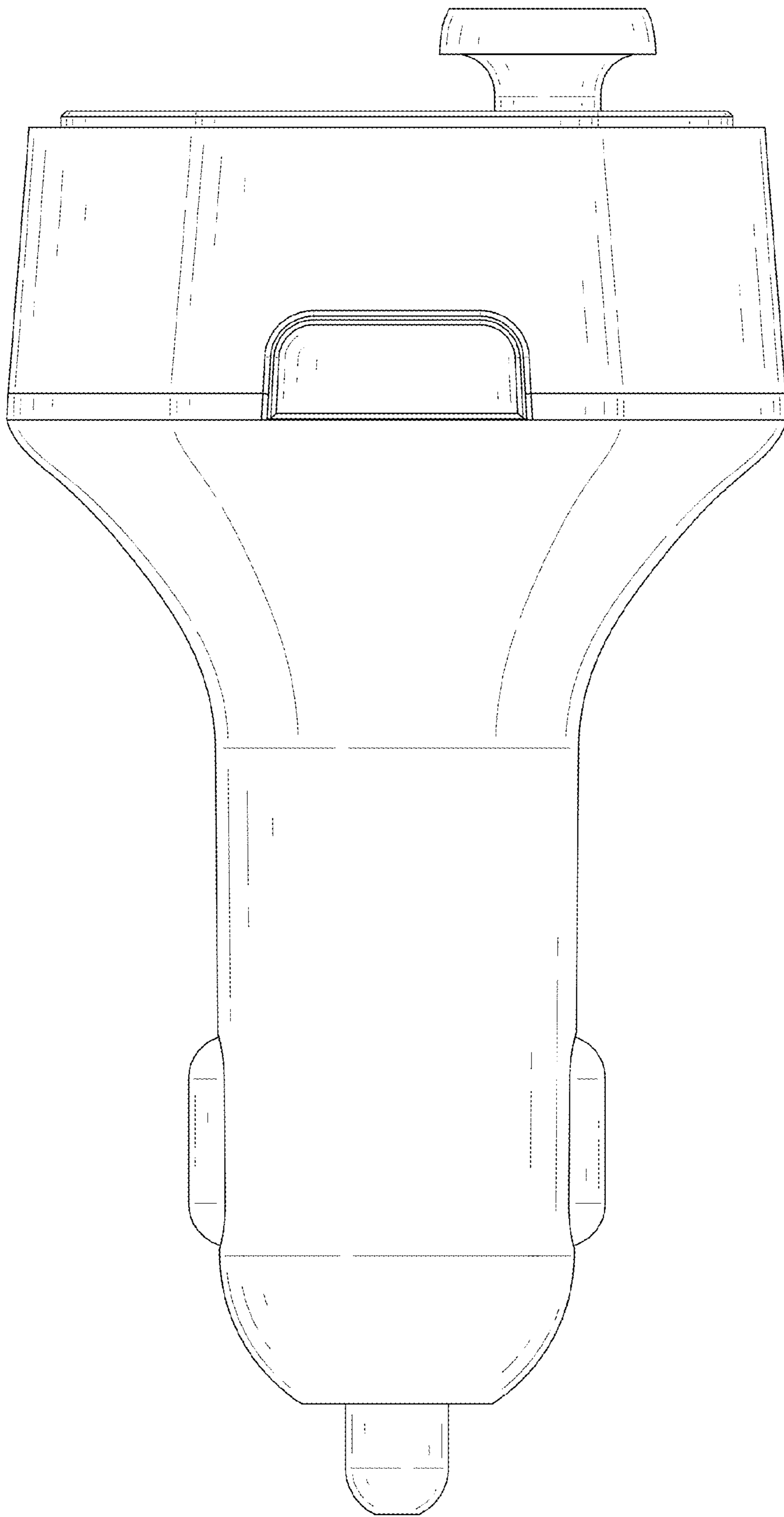


FIG. 3

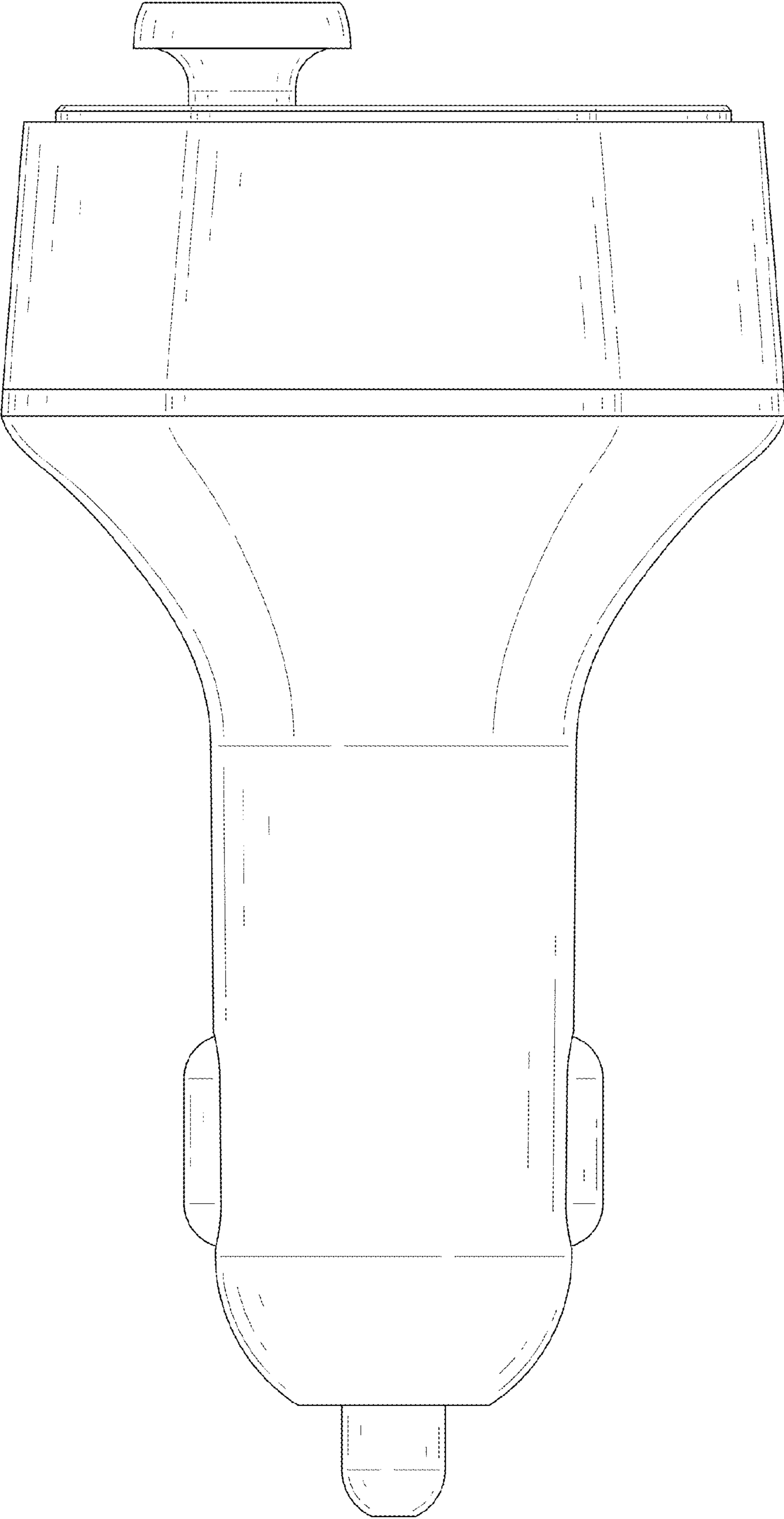


FIG. 4

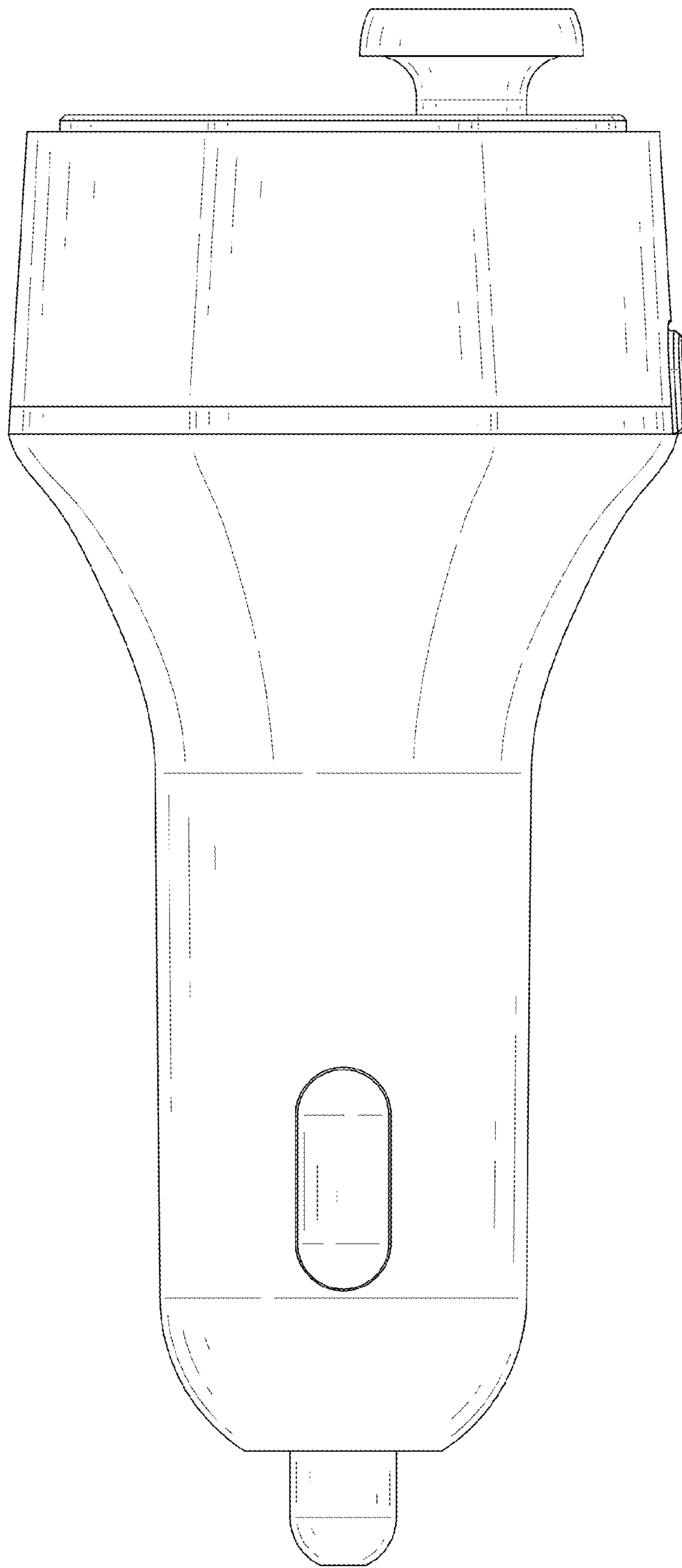


FIG. 5

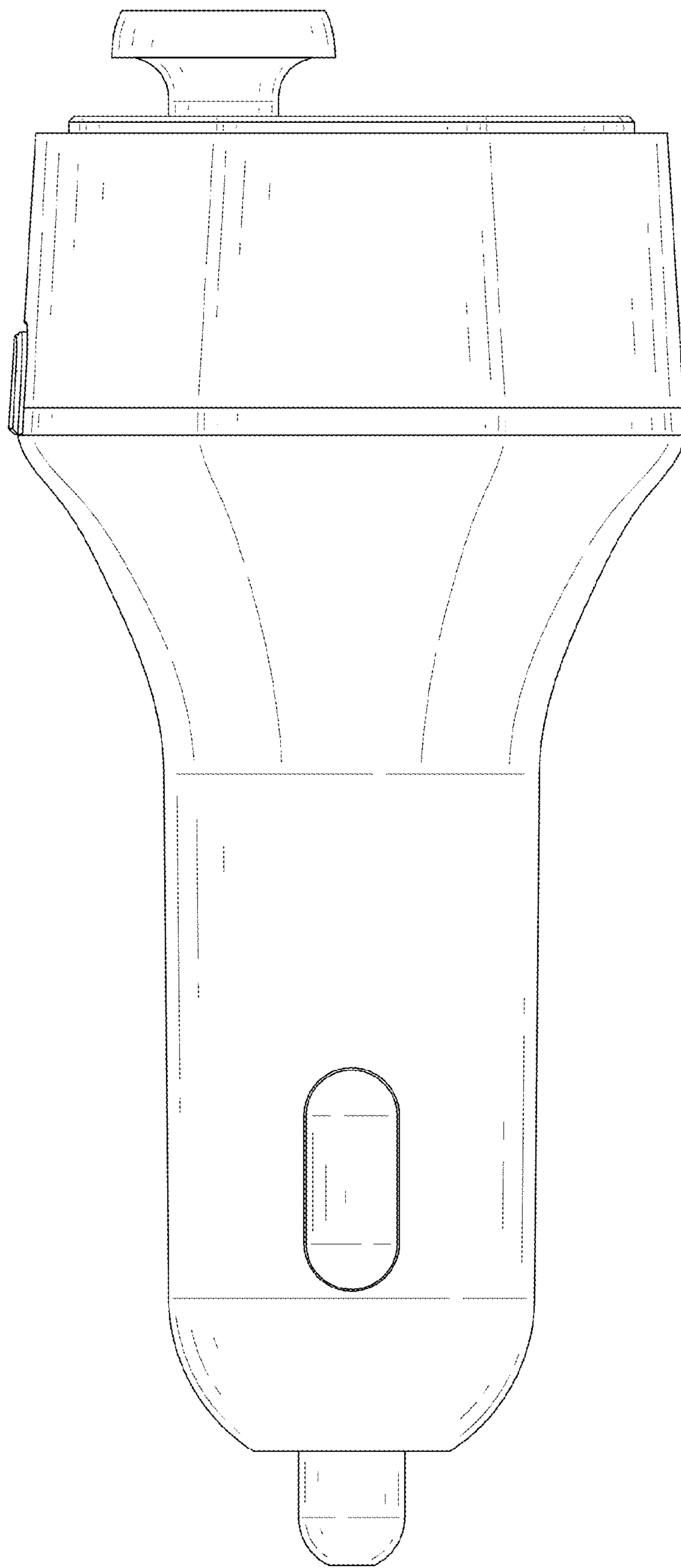


FIG. 6

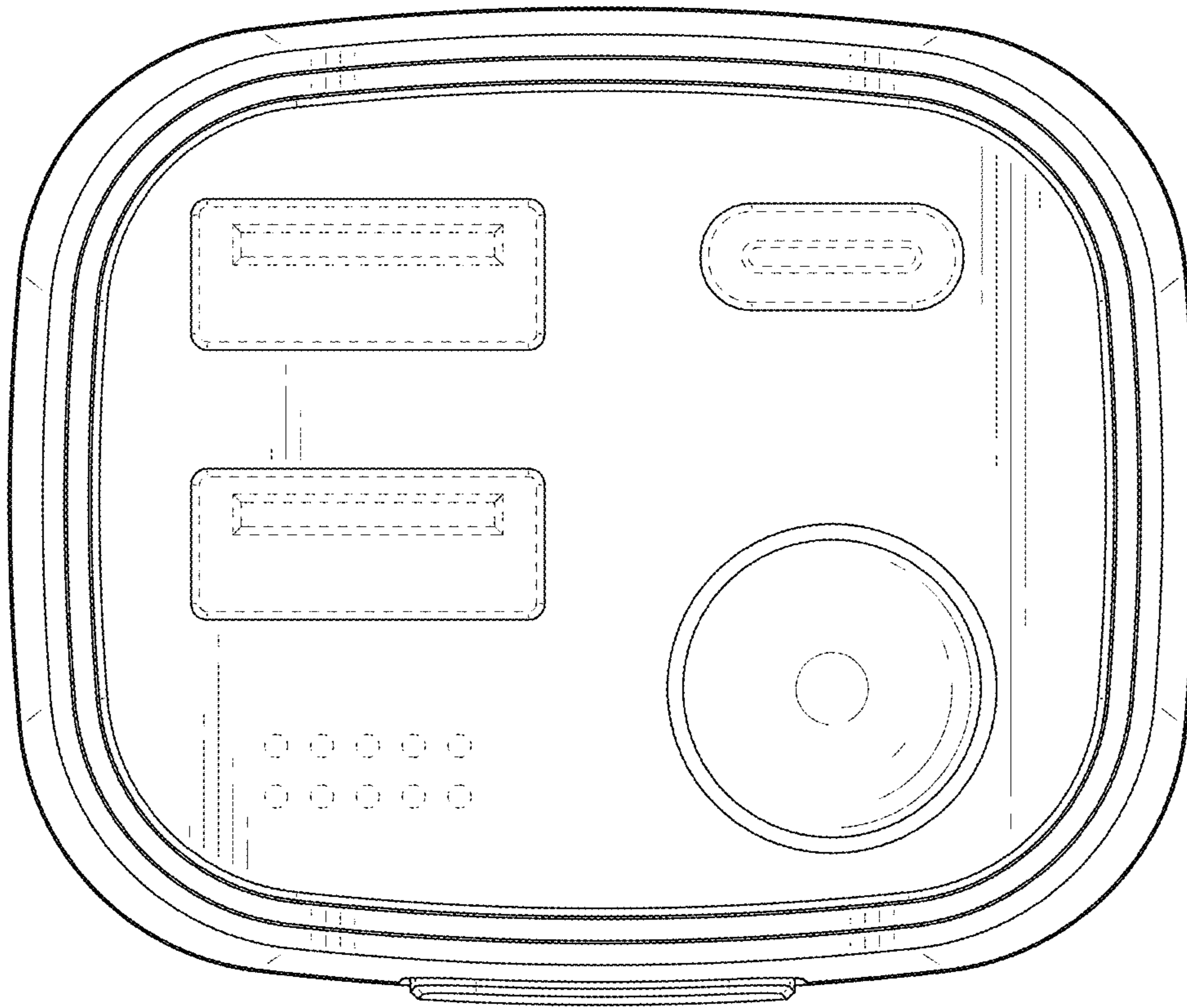


FIG. 7

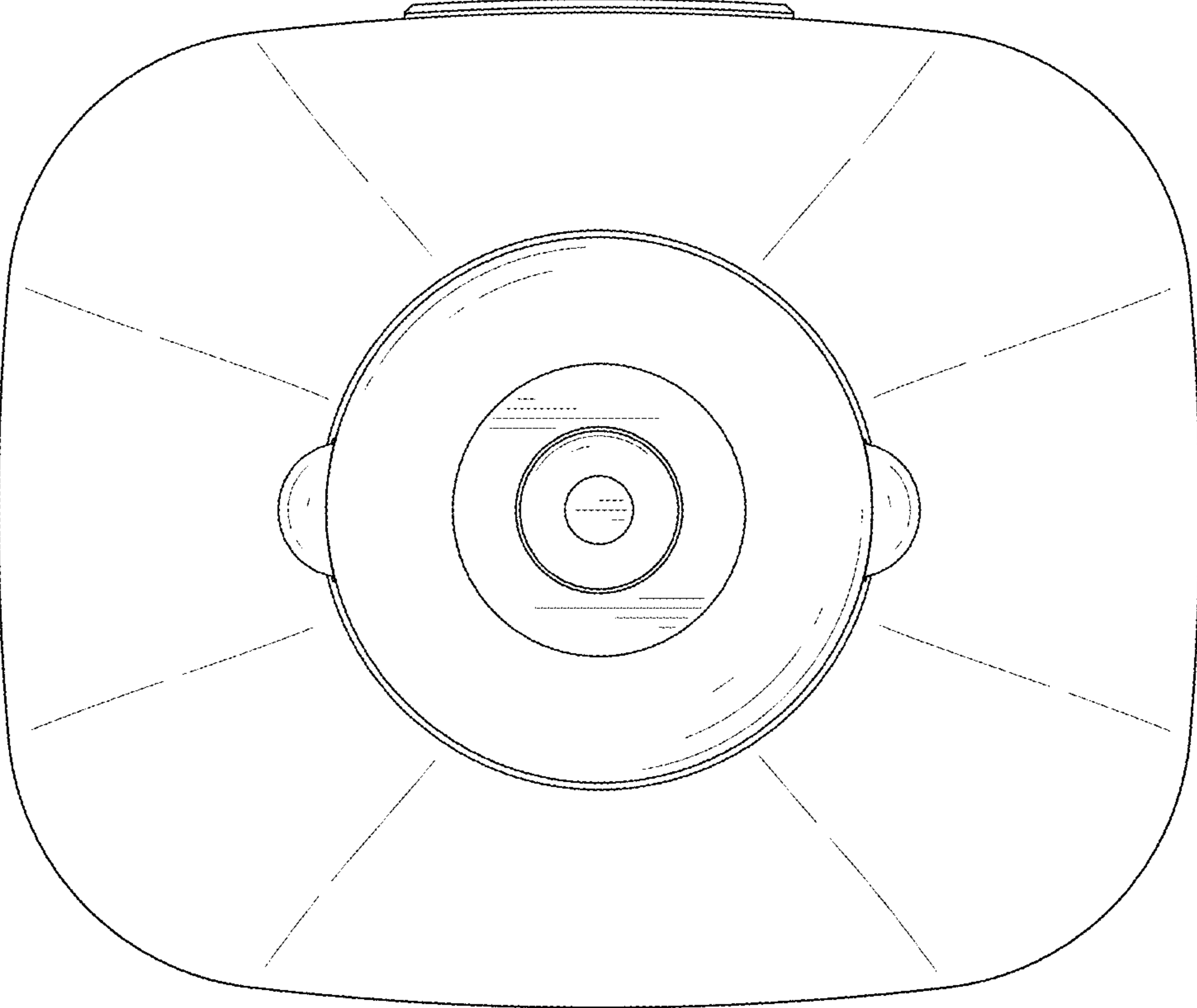


FIG. 8