



US00D932453S

(12) **United States Design Patent**  
**Xiao**

(10) **Patent No.:** **US D932,453 S**

(45) **Date of Patent:** **\*\* Oct. 5, 2021**

(54) **WALKIE TALKIE**

(71) Applicant: **Shenzhen Beijia Electronic Technology Co., Ltd., Shenzhen (CN)**

(72) Inventor: **Rundong Xiao, Shenzhen (CN)**

(73) Assignee: **Shenzhen Hanlin International Trade Co., Ltd., Shenzhen (CN)**

(\*\*) Term: **15 Years**

(21) Appl. No.: **29/690,110**

(22) Filed: **May 6, 2019**

(51) **LOC (13) Cl.** ..... **14-03**

(52) **U.S. Cl.**  
USPC ..... **D14/137**

(58) **Field of Classification Search**  
USPC ..... D14/137, 138 R, 138 AA, 138 AD;  
D10/104.1  
CPC .. H04B 1/3833; H04B 1/3827; H04B 1/3855;  
H04B 2001/3861; H04M 1/0202; H04M  
1/03; H04M 1/035  
See application file for complete search history.

(56) **References Cited**

**U.S. PATENT DOCUMENTS**

D602,893 S \* 10/2009 Nishida ..... D14/137  
D816,632 S \* 5/2018 Yamamoto ..... D14/137

D834,432 S \* 11/2018 Wang ..... D10/78  
D842,830 S \* 3/2019 Nishida ..... D14/137  
D862,812 S \* 10/2019 Jia ..... D30/199  
D889,424 S \* 7/2020 Chen ..... D14/137  
D892,757 S \* 8/2020 Pang ..... D14/137

\* cited by examiner

*Primary Examiner* — Bridget L Eland

(74) *Attorney, Agent, or Firm* — True Shepherd LLC;  
Andrew C. Cheng

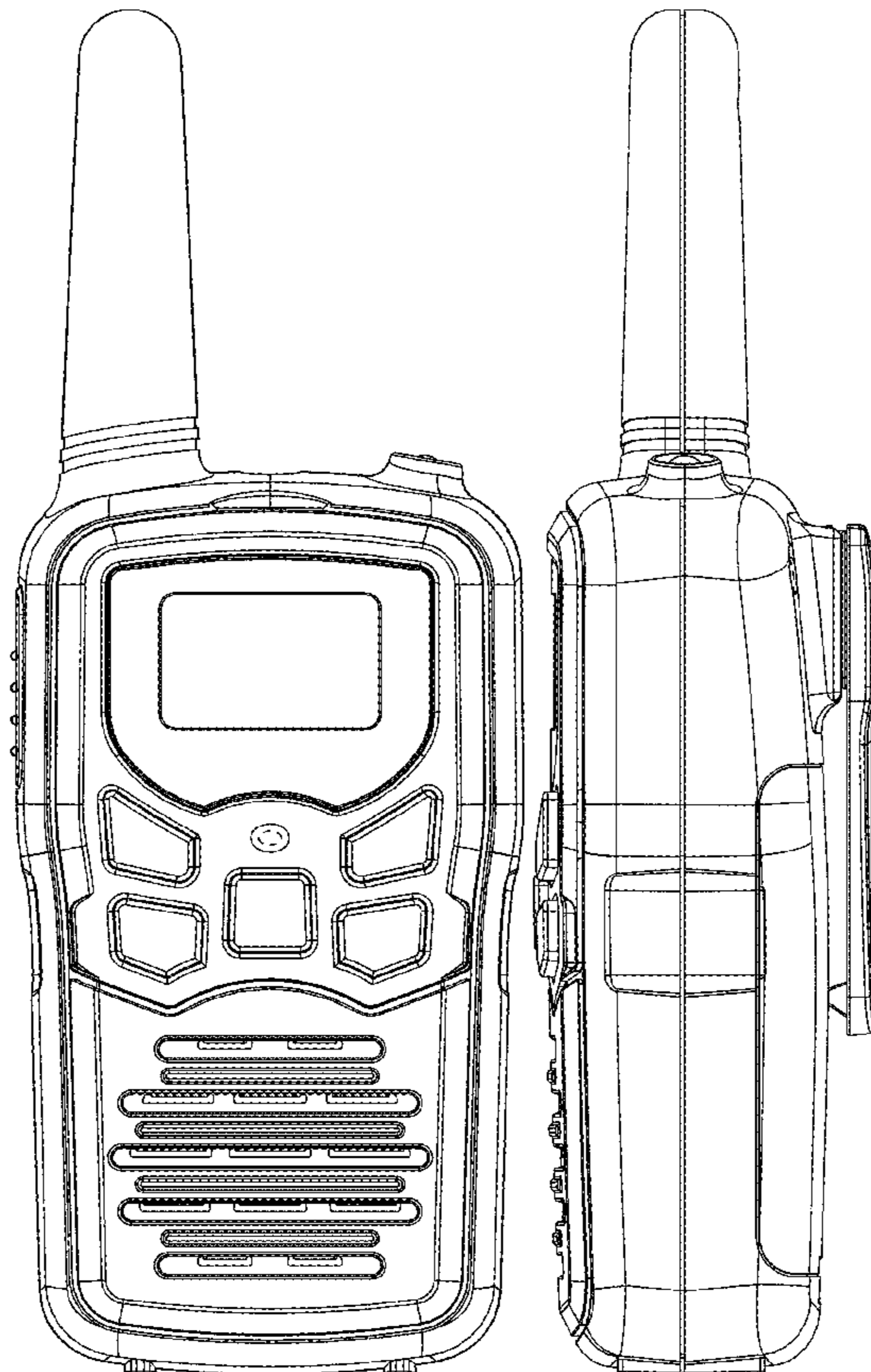
(57) **CLAIM**

The ornamental design for a walkie talkie, as shown and described.

**DESCRIPTION**

FIG. 1 is a front view of a walkie talkie, showing my new design;  
FIG. 2 is a back view thereof;  
FIG. 3 is a right side view thereof;  
FIG. 4 is a left side view thereof;  
FIG. 5 is a top view thereof;  
FIG. 6 is a bottom view thereof; and,  
FIG. 7 is a perspective view thereof.  
The broken lines shown in the drawings depict portions of the walkie talkie that form no part of the claimed design.

**1 Claim, 7 Drawing Sheets**



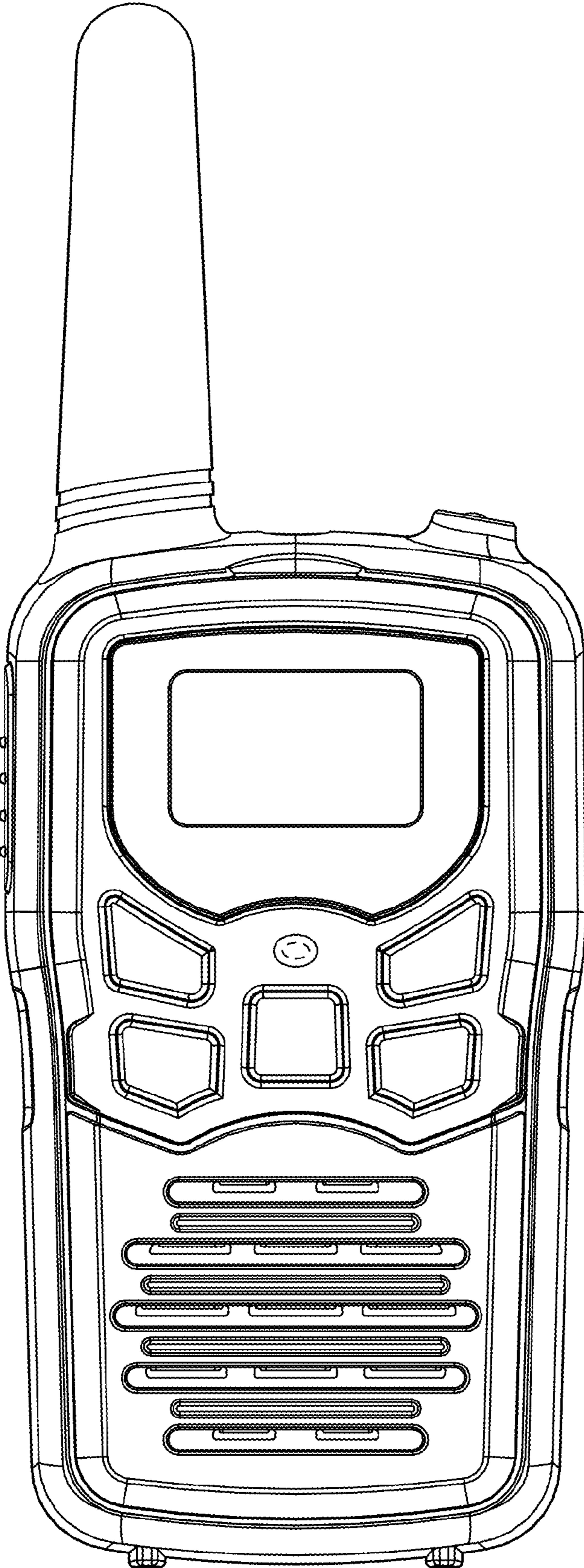


FIG. 1

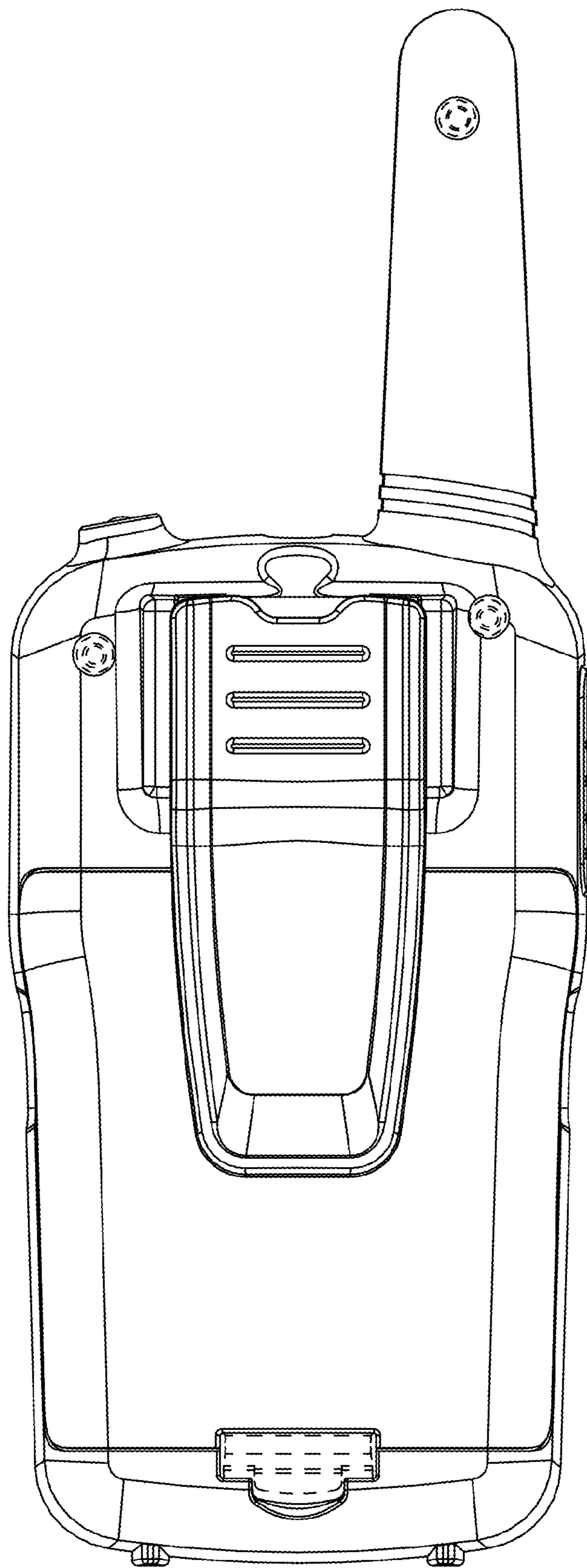


FIG. 2

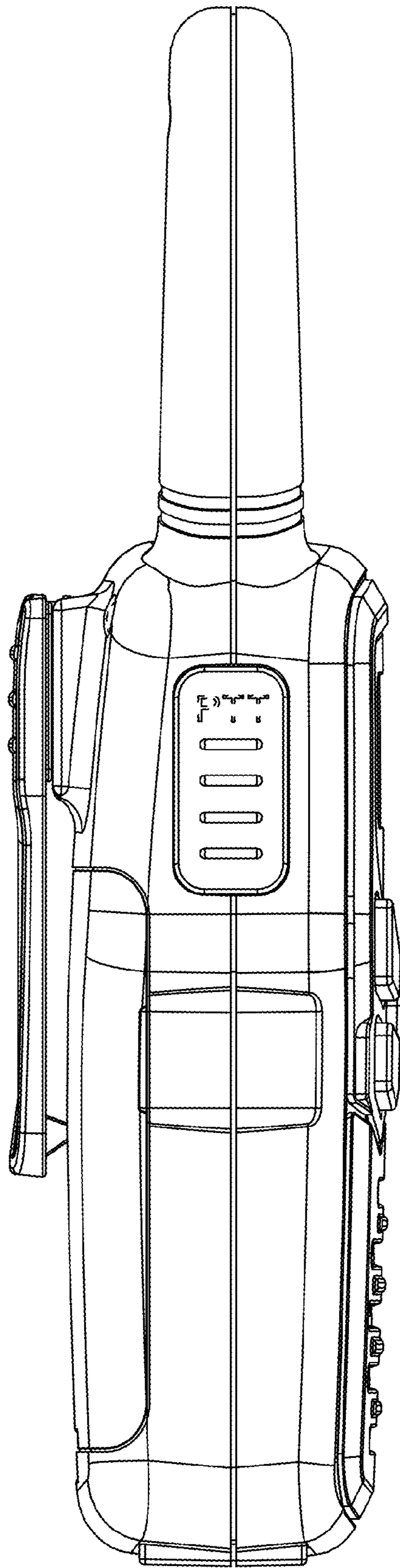


FIG. 3

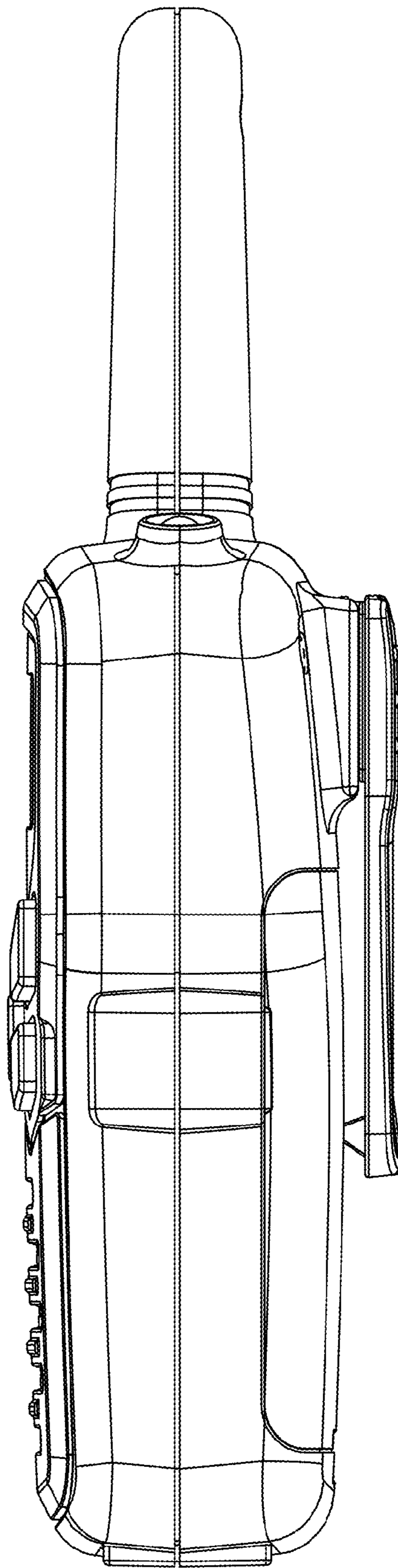


FIG. 4

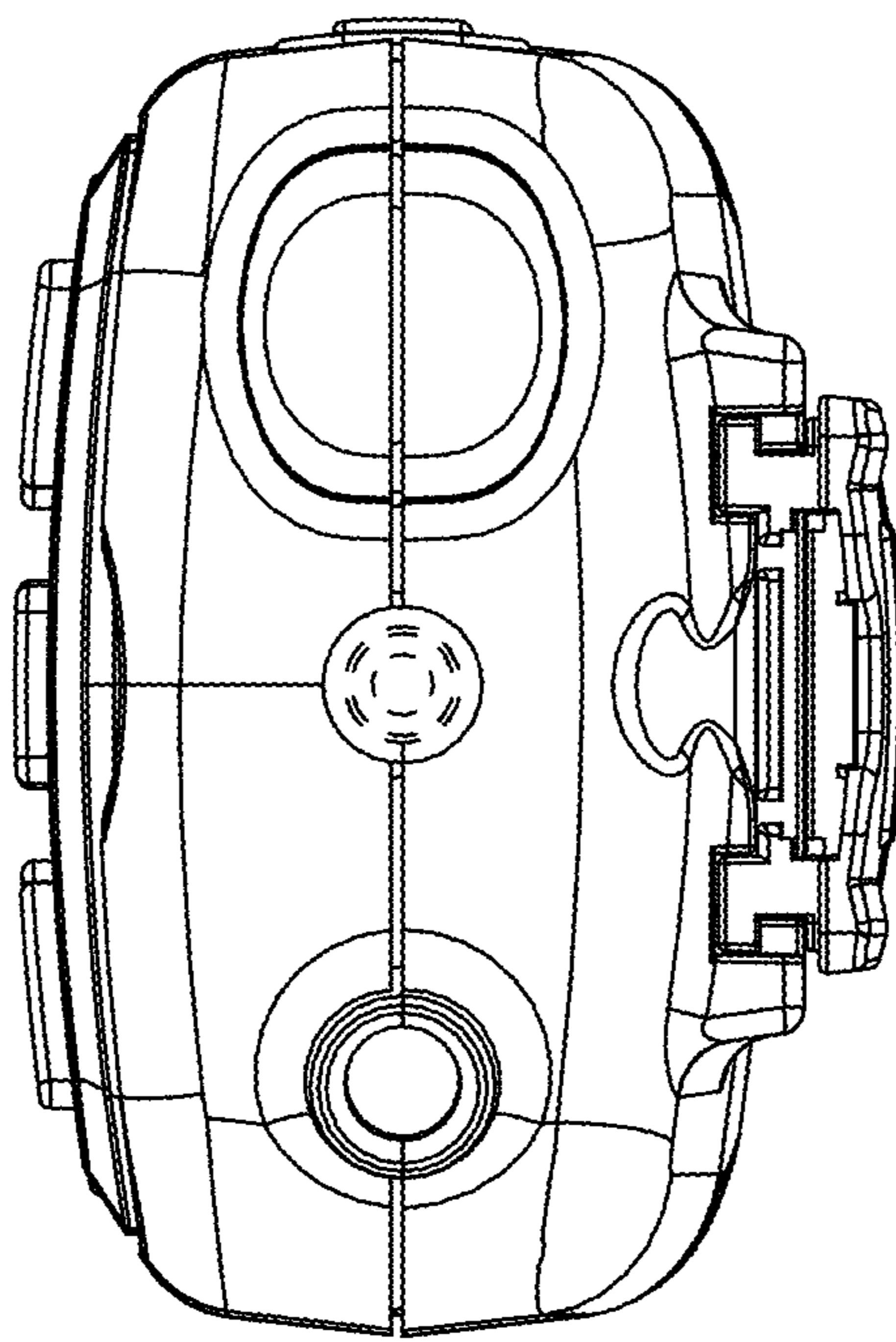


FIG. 5

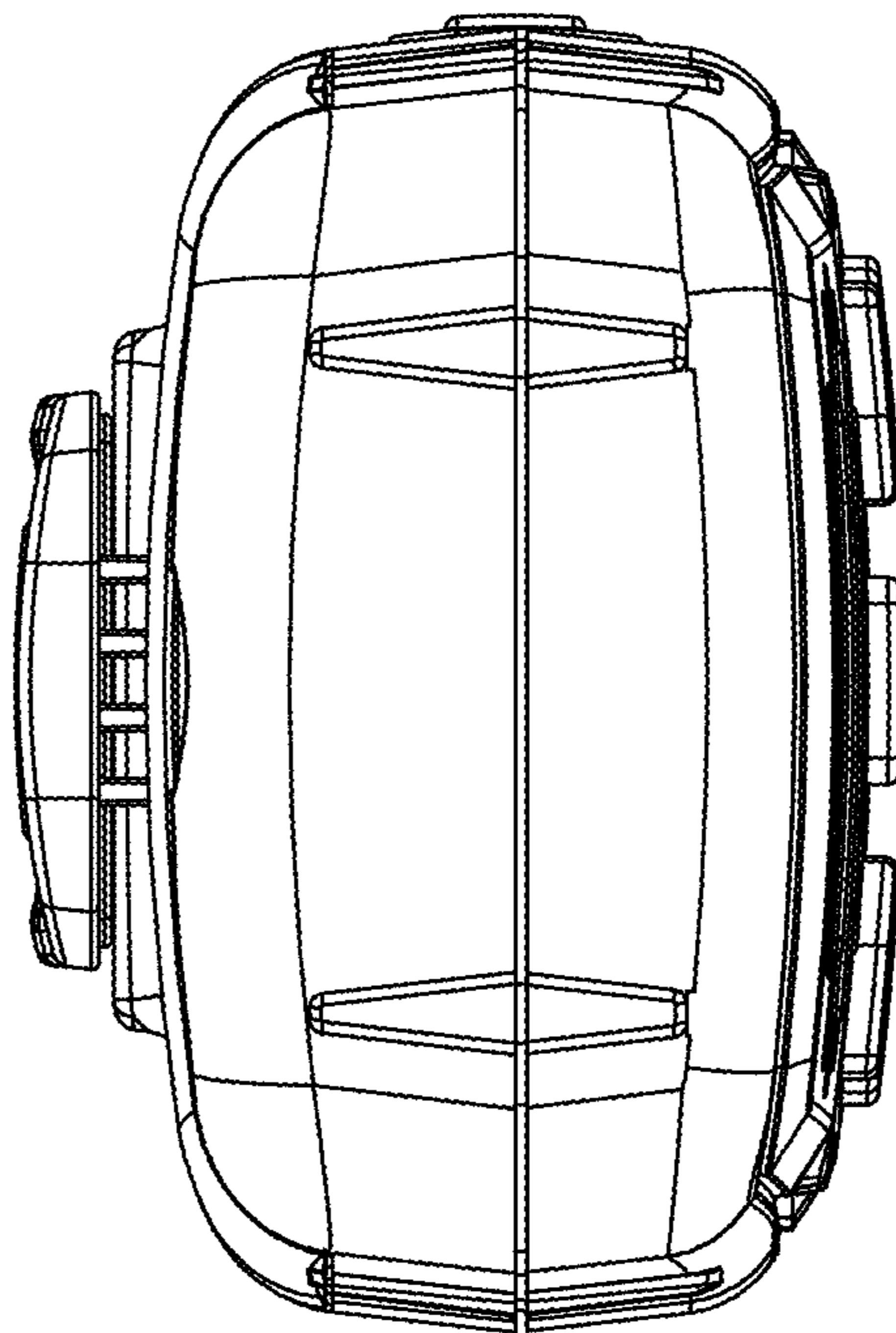


FIG. 6

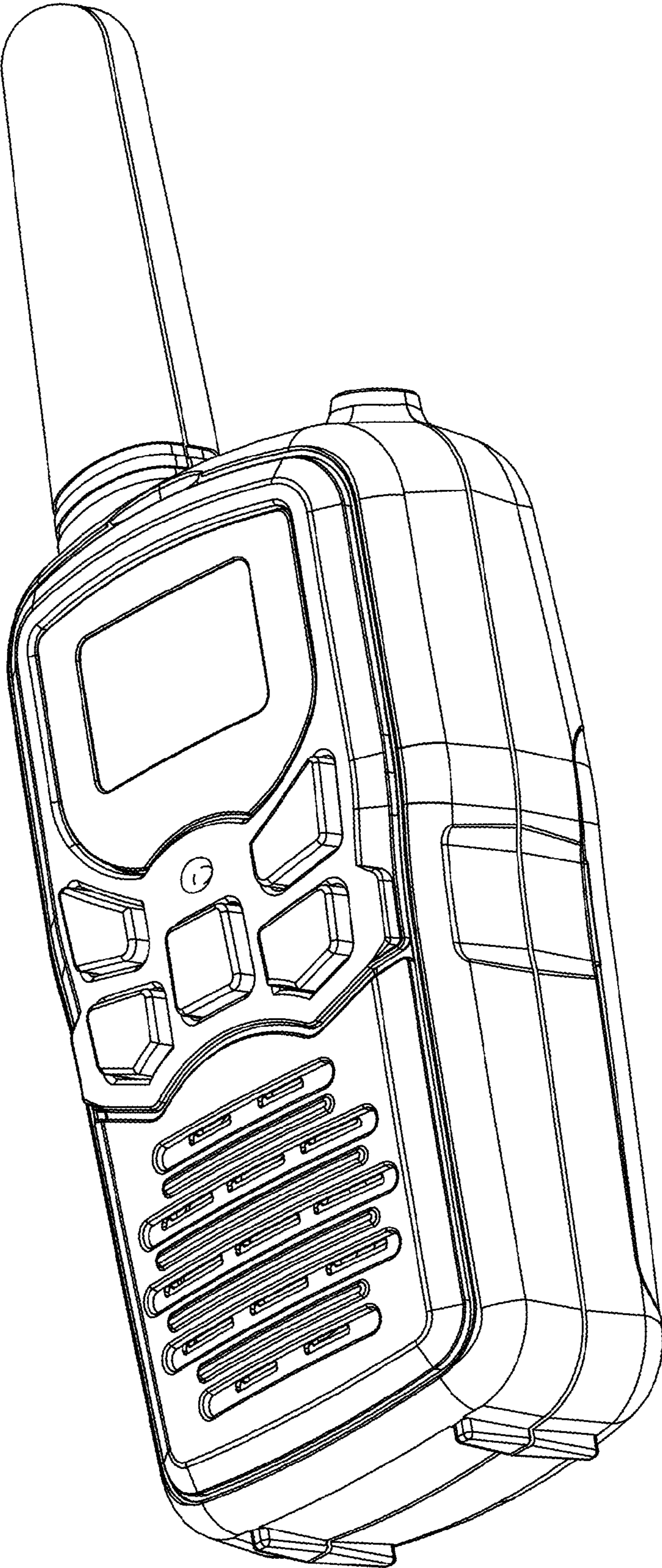


FIG. 7