



US00D932451S

(12) **United States Design Patent** (10) **Patent No.:** **US D932,451 S**
Ishigami et al. (45) **Date of Patent:** **** Oct. 5, 2021**

(54) **DISCHARGE DEVICE**

- (71) Applicant: **Panasonic Intellectual Property Management Co., Ltd.**, Osaka (JP)
- (72) Inventors: **Yohei Ishigami**, Osaka (JP); **Takafumi Omori**, Shiga (JP); **Tetsunori Aono**, Hyogo (JP)
- (73) Assignee: **Panasonic Intellectual Property Management Co., Ltd.**, Osaka (JP)
- (**) Term: **15 Years**

(21) Appl. No.: **29/711,684**

(22) Filed: **Nov. 1, 2019**

(30) **Foreign Application Priority Data**

Sep. 20, 2019 (CN) 201930517545.3

(51) **LOC (13) Cl.** **13-03**

(52) **U.S. Cl.**
USPC **D13/182**

(58) **Field of Classification Search**
USPC D13/182; D21/386, 390, 478, 479, 480;
D19/40; D11/79, 95, 96, 222; D7/591;
(Continued)

(56) **References Cited**

U.S. PATENT DOCUMENTS

- 1,059,420 A * 4/1913 Worth F16B 39/14
411/247
- 1,209,998 A * 12/1916 Pinckert A44C 21/00
40/27.5

(Continued)

FOREIGN PATENT DOCUMENTS

- JP 2011036735 A * 2/2011
- JP 2011073003 A * 4/2011

(Continued)

OTHER PUBLICATIONS

5X(12Pcs M3-M12 Tap & Die Set Alloy Steel Metric System Hand Tools Set M1M8), <https://www.ebay.com/itm/5X-12Pcs-M3-M12-Tap-Die-Set-Alloy-Steel-Metric-System-Hand-Tools-Set-M1M8-/265001376761>, Jan. 4, 2021. (Year: 2021).*

Primary Examiner — Elizabeth J Oswecki
(74) *Attorney, Agent, or Firm* — Panasonic IP Management; Kerry S. Culpepper

(57) **CLAIM**

The ornamental design for a discharge device, as shown and described.

DESCRIPTION

FIG. 1 is a front perspective view of a first embodiment of a discharge device showing our new design;
 FIG. 2 is a front view thereof;
 FIG. 3 is a rear view thereof;
 FIG. 4 is a first side view thereof;
 FIG. 5 is a second side view thereof;
 FIG. 6 is a top view thereof;
 FIG. 7 is a bottom view thereof;
 FIG. 8 is a cross-sectional view taken along the line 8-8 in FIG. 6;
 FIG. 9 is a front perspective view of a second embodiment of a discharge device showing our new design;
 FIG. 10 is a front view thereof;
 FIG. 11 is a rear view thereof;
 FIG. 12 is a first side view thereof;
 FIG. 13 is a second side view thereof;
 FIG. 14 is a top view thereof;
 FIG. 15 is a bottom view thereof;
 FIG. 16 is a cross-sectional view taken along the line 16-16 in FIG. 14;
 FIG. 17 is a front perspective view of a third embodiment of a discharge device showing our new design;
 FIG. 18 is a front view thereof;
 FIG. 19 is a rear view thereof;
 FIG. 20 is a first side view thereof;
 FIG. 21 is a second side view thereof;
 FIG. 22 is a top view thereof;

(Continued)

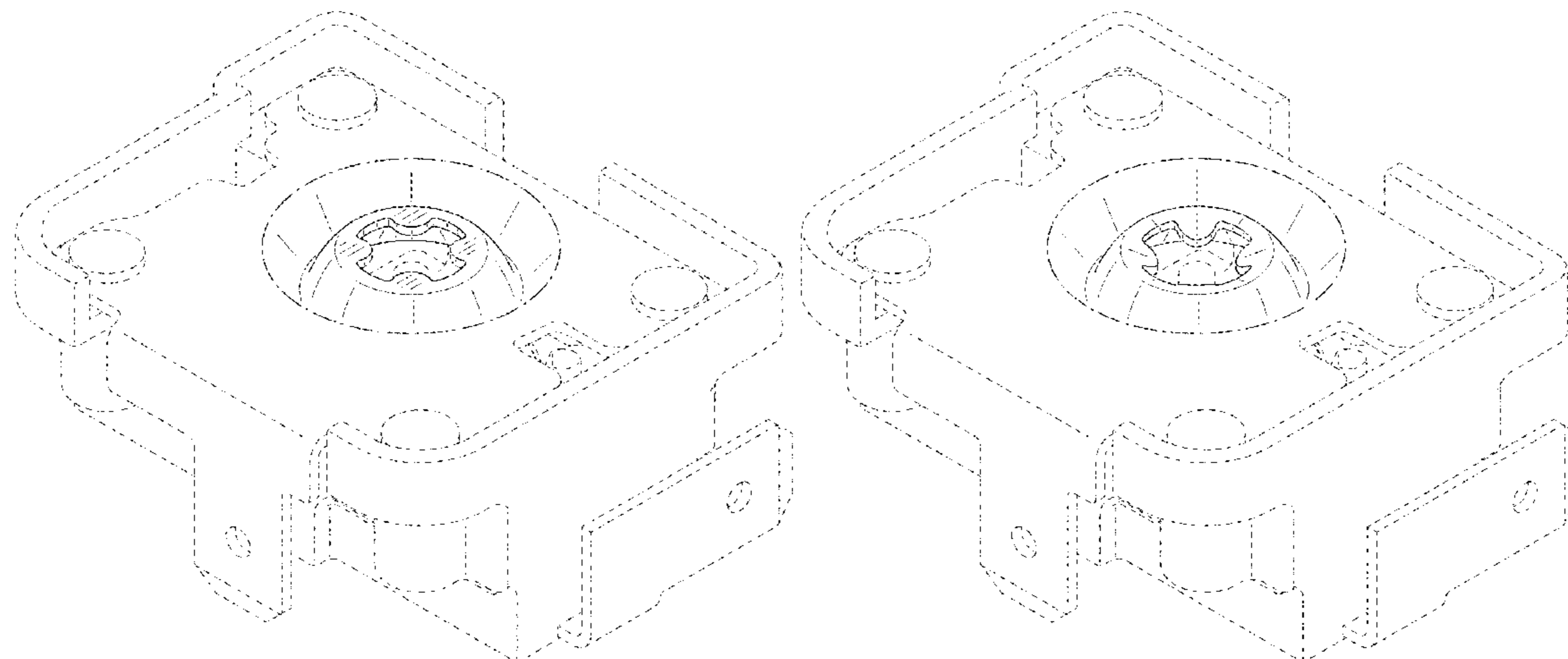


FIG. 23 is a bottom view thereof; and, FIG. 24 is a cross-sectional view taken along the line 24-24 in FIG. 22.

The even broken lines in the drawings represent portions of the discharge device that form no part of the claimed design. Additionally, the dash-dot-dashed lines in the drawings define the boundaries of the claimed design.

1 Claim, 24 Drawing Sheets

(58) **Field of Classification Search**

USPC D8/2, 399; D1/126, 127, 128, 130;
239/690.1, 693, 697, 690, 698, 695;
429/209, 231.8; 600/391
CPC F23D 11/32; F23D 11/38; F23D 11/383;
B05B 1/00; B05B 1/005; B05B 1/02;
B05B 1/04; B05B 5/00; B05B 5/002;
B05B 5/025; B05B 5/0255; B05B 5/03;
B05B 5/032

See application file for complete search history.

(56) **References Cited**

U.S. PATENT DOCUMENTS

D130,852 S * 12/1941 Rothschild D11/223
D213,431 S * 3/1969 Stone D8/310
4,057,982 A * 11/1977 Drayton E05B 73/0005
70/14
6,600,632 B1 * 7/2003 Prochazka G11B 17/02
360/264.1
D528,407 S * 9/2006 Schwab D8/399
7,567,420 B2 * 7/2009 Kobayashi B05B 5/057
361/225

D651,062 S * 12/2011 Wackwitz D8/70
8,191,805 B2 * 6/2012 Nakada B05B 5/057
239/690
D682,226 S * 5/2013 Omori D13/182
D687,398 S * 8/2013 Omori D13/182
D689,032 S * 9/2013 Omori D13/182
D692,747 S * 11/2013 Schwab D8/399
2003/0147723 A1 * 8/2003 Schwab F16B 39/10
411/526
2009/0001200 A1 * 1/2009 Imahori B05B 5/0533
239/700
2009/0289132 A1 * 11/2009 Watanabe B05B 5/057
239/690
2010/0187338 A1 * 7/2010 Yano B05B 5/057
239/690
2010/0243765 A1 * 9/2010 Uegaki B05B 5/057
239/690
2010/0243766 A1 * 9/2010 Suda B05B 5/006
239/690
2011/0006139 A1 * 1/2011 Masuda B05B 5/0533
239/690
2011/0031335 A1 * 2/2011 Hirai B05B 5/0255
239/690
2011/0240772 A1 * 10/2011 Nakano B05B 5/057
239/690
2012/0067986 A1 * 3/2012 Kobayashi B05B 5/057
239/690
2012/0160940 A1 * 6/2012 Omori B05B 5/0255
239/690

FOREIGN PATENT DOCUMENTS

JP 2011078833 A * 4/2011
JP 2011092936 A * 5/2011
JP D1429706 12/2014
JP D1434985 2/2015
JP D1576039 5/2017
JP D1633395 6/2019

* cited by examiner

FIG. 1

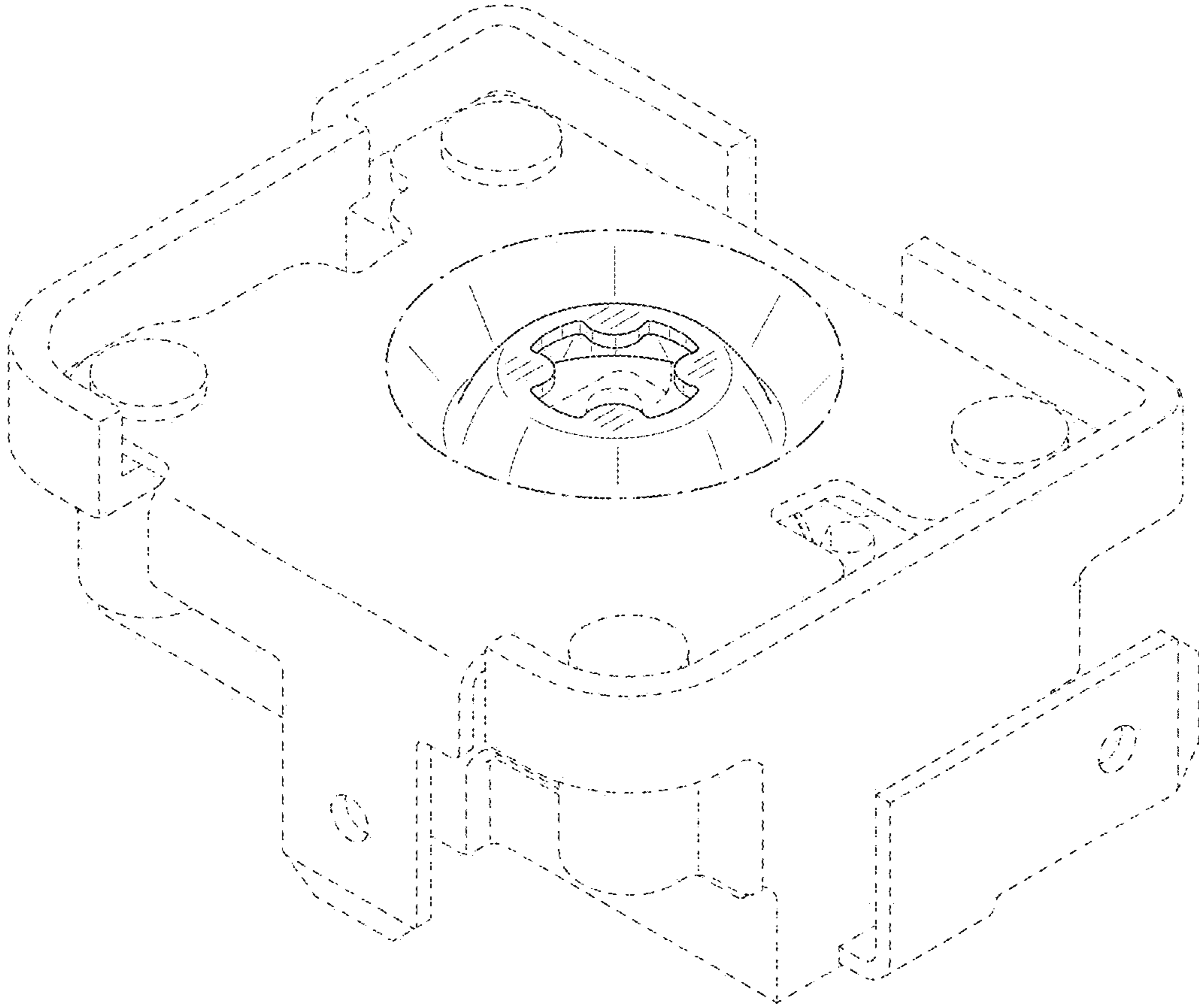


FIG. 2

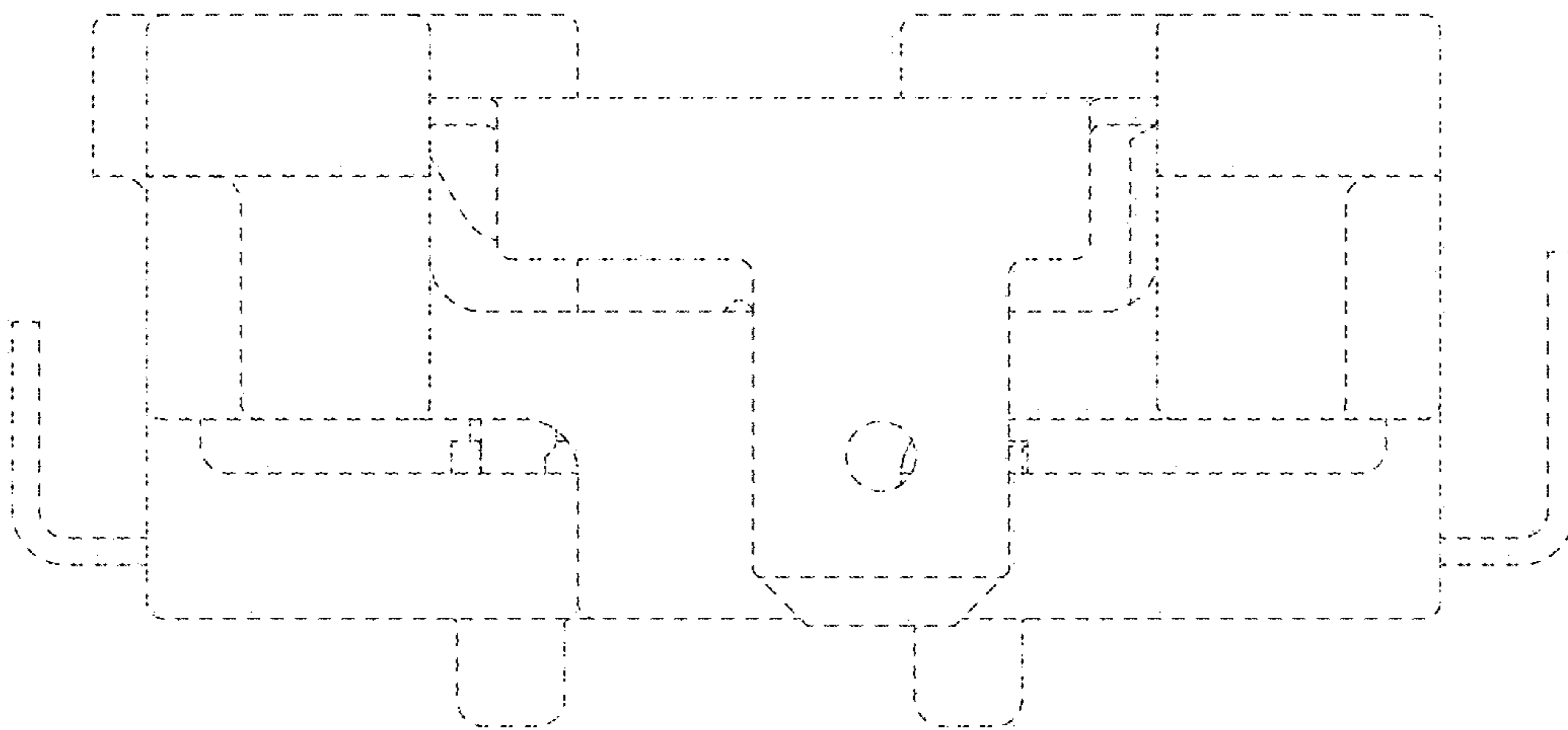


FIG. 3

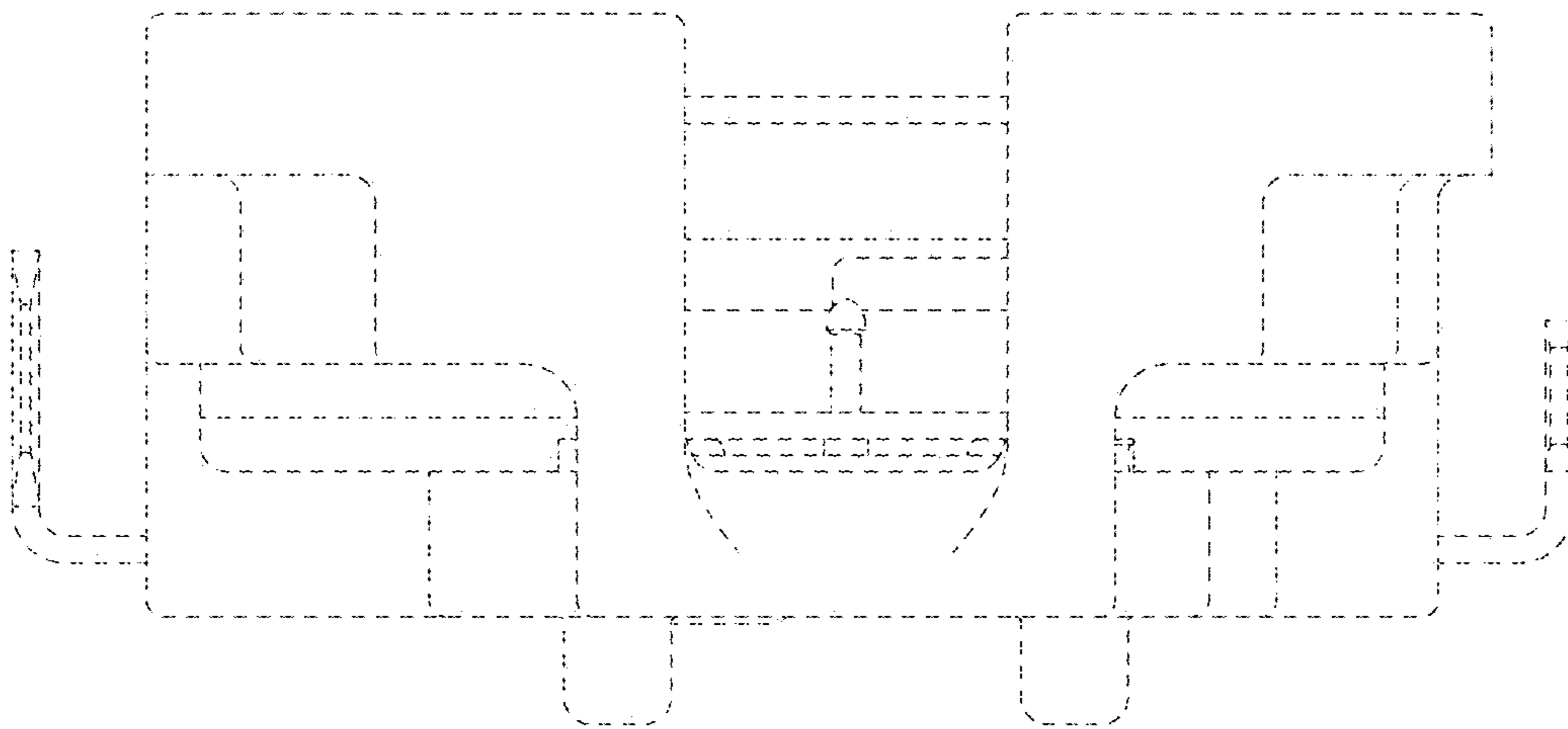


FIG. 4

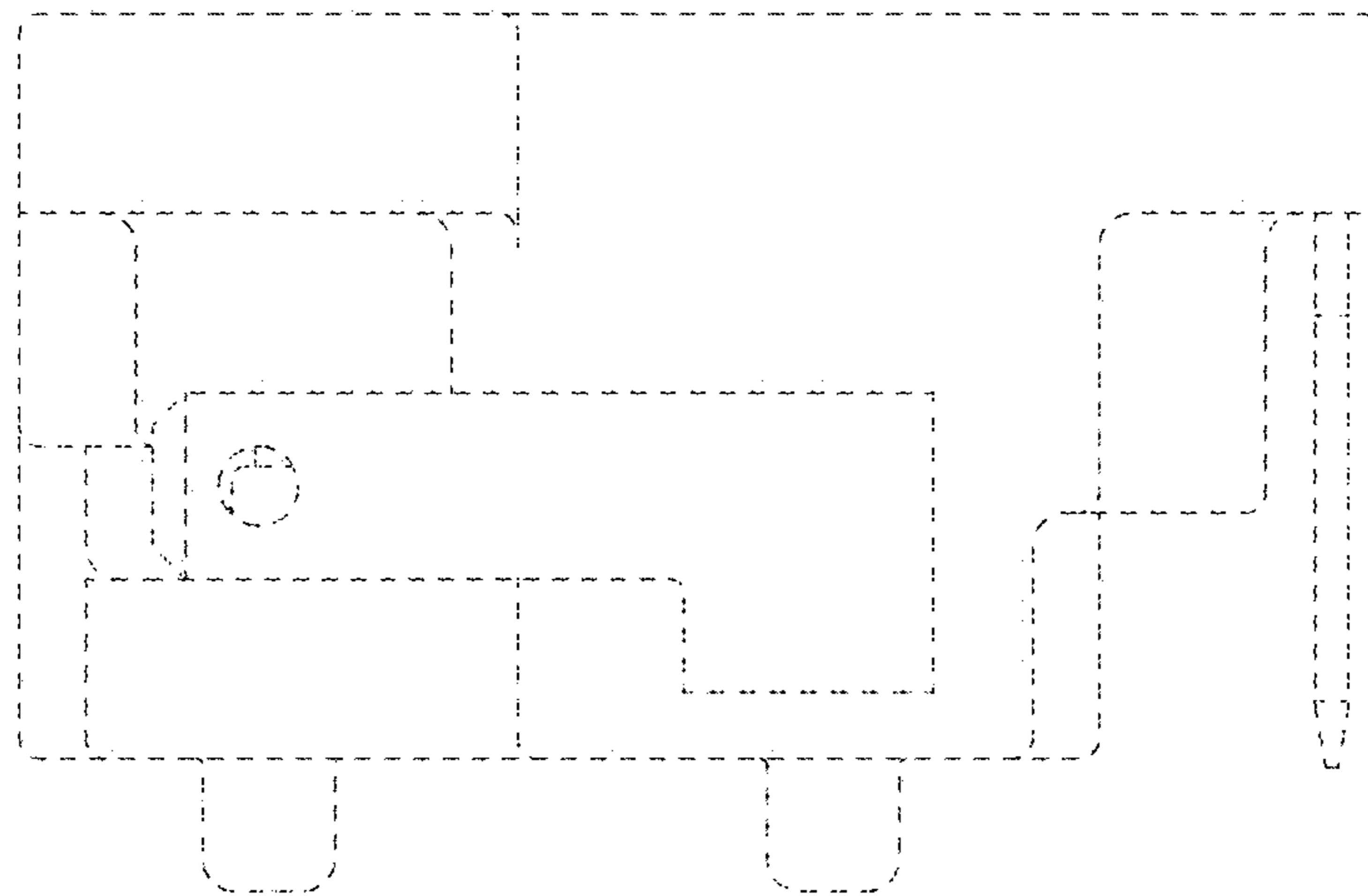


FIG. 5

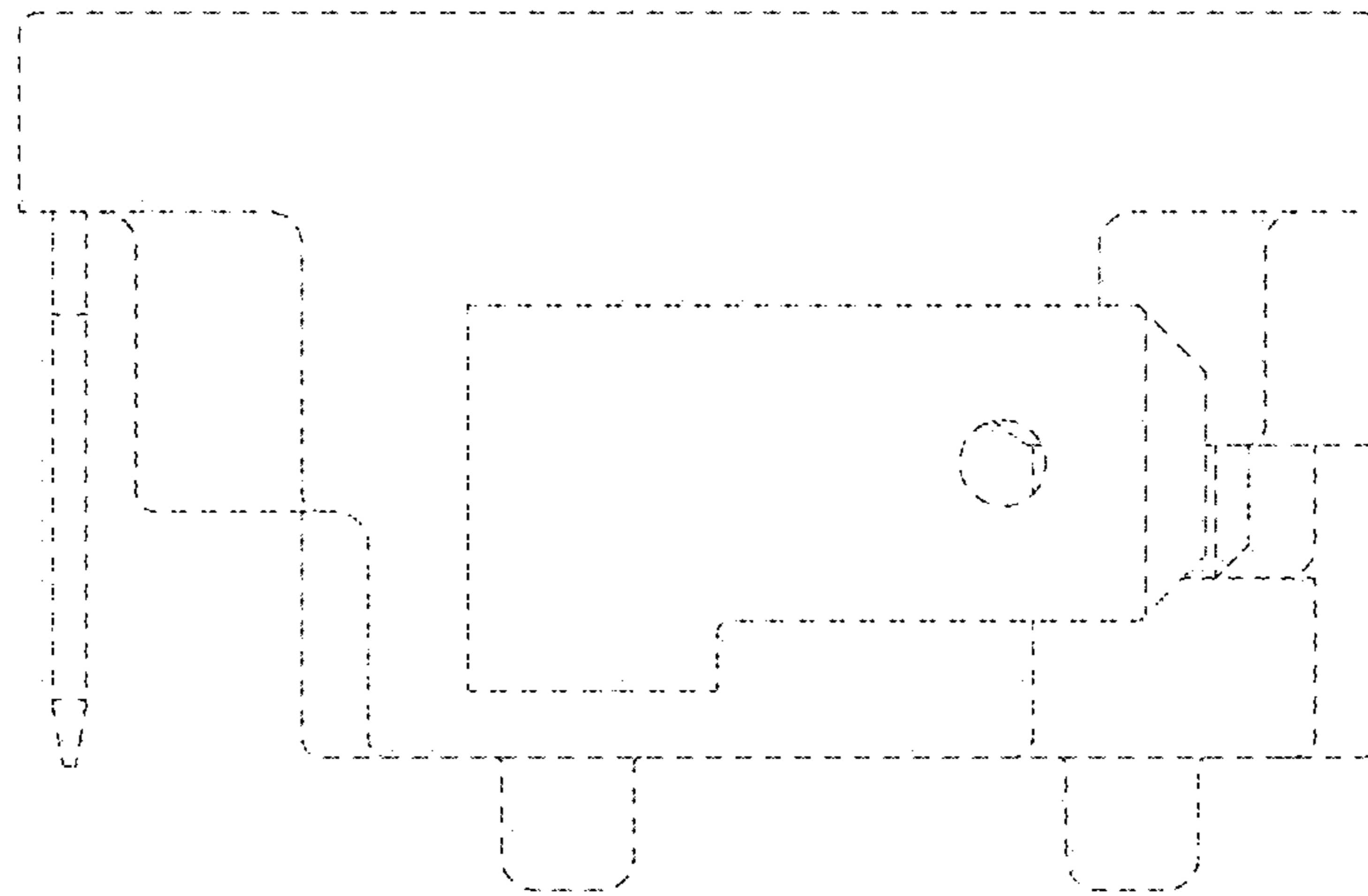


FIG. 6

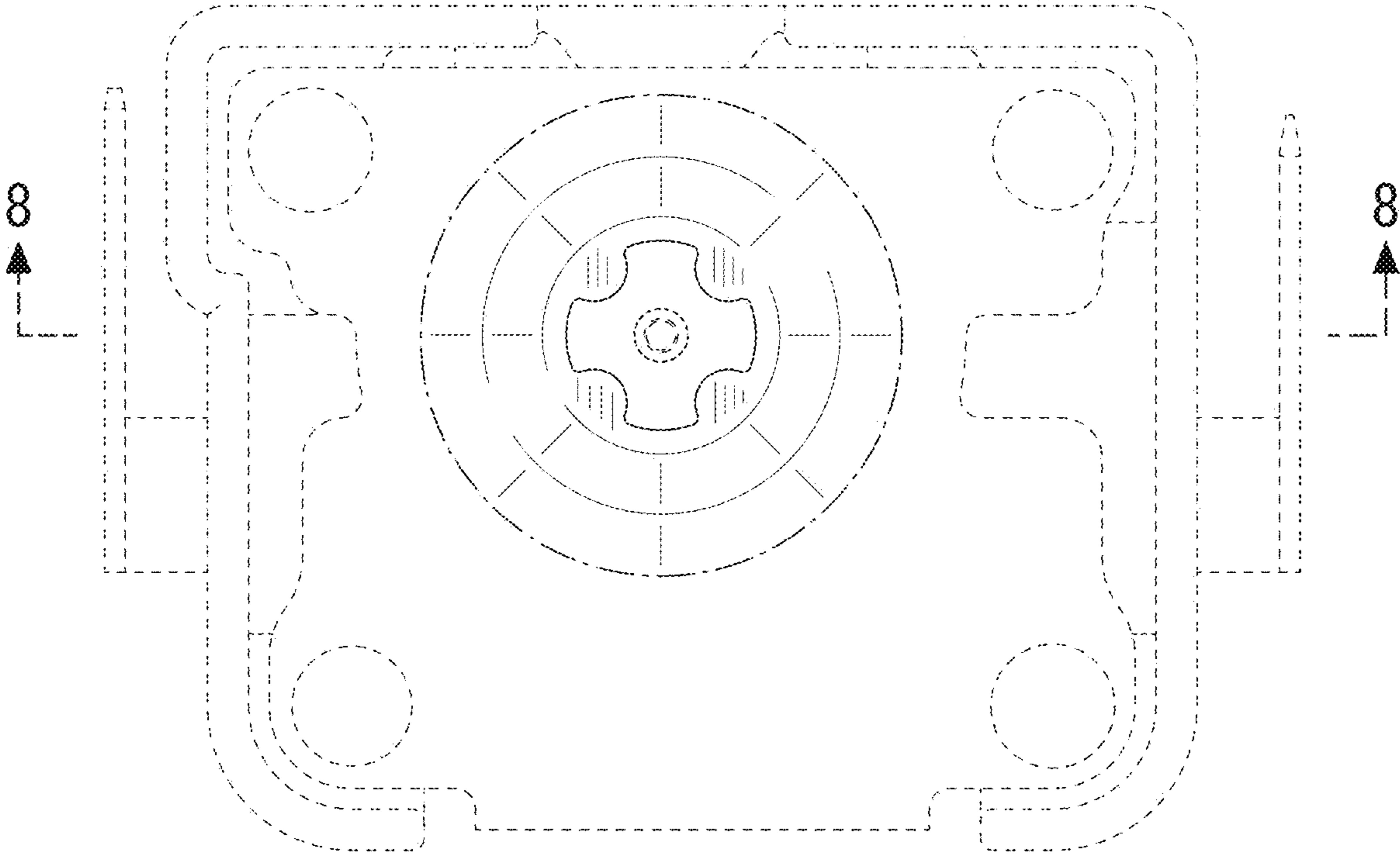


FIG. 7

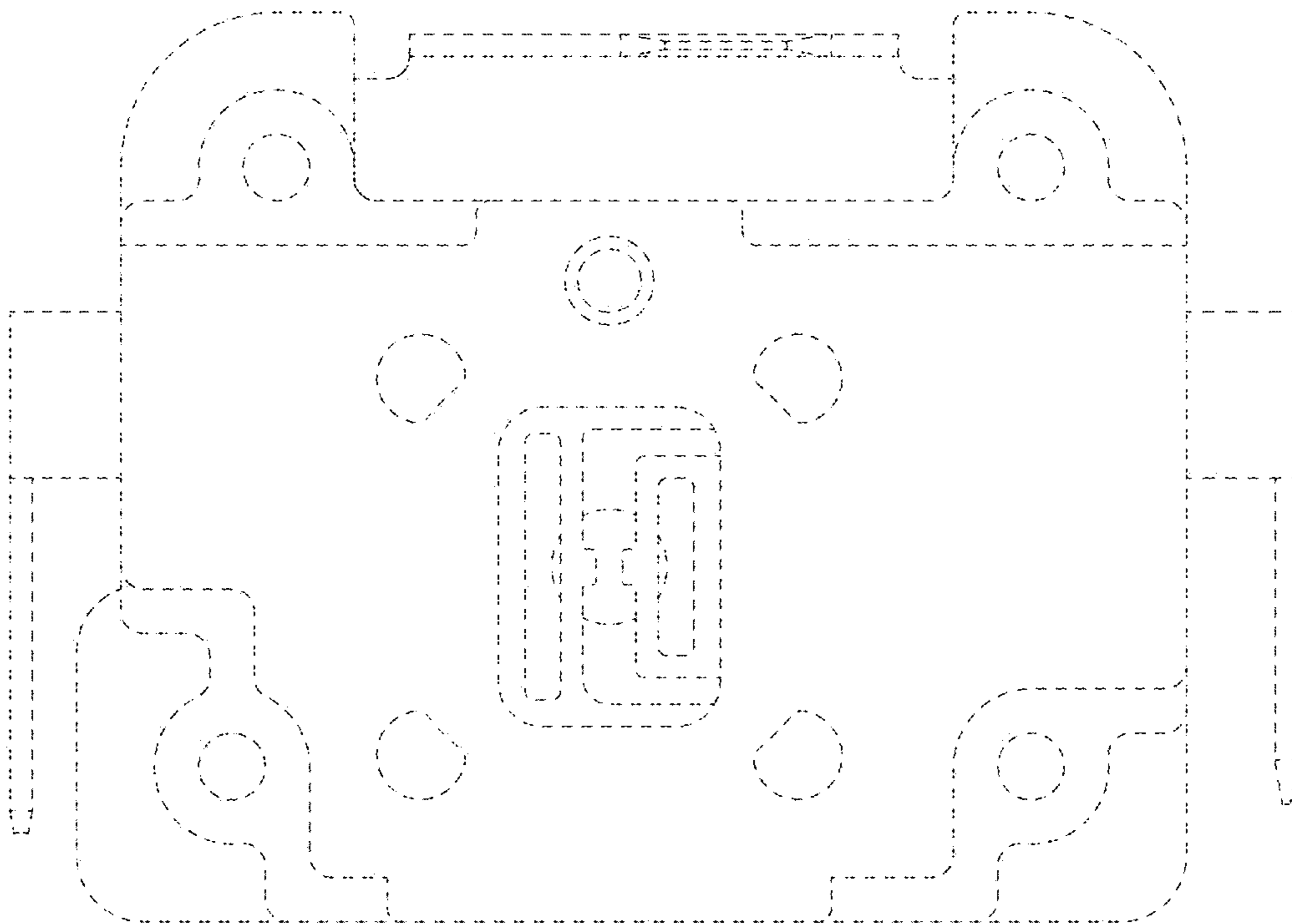


FIG. 8

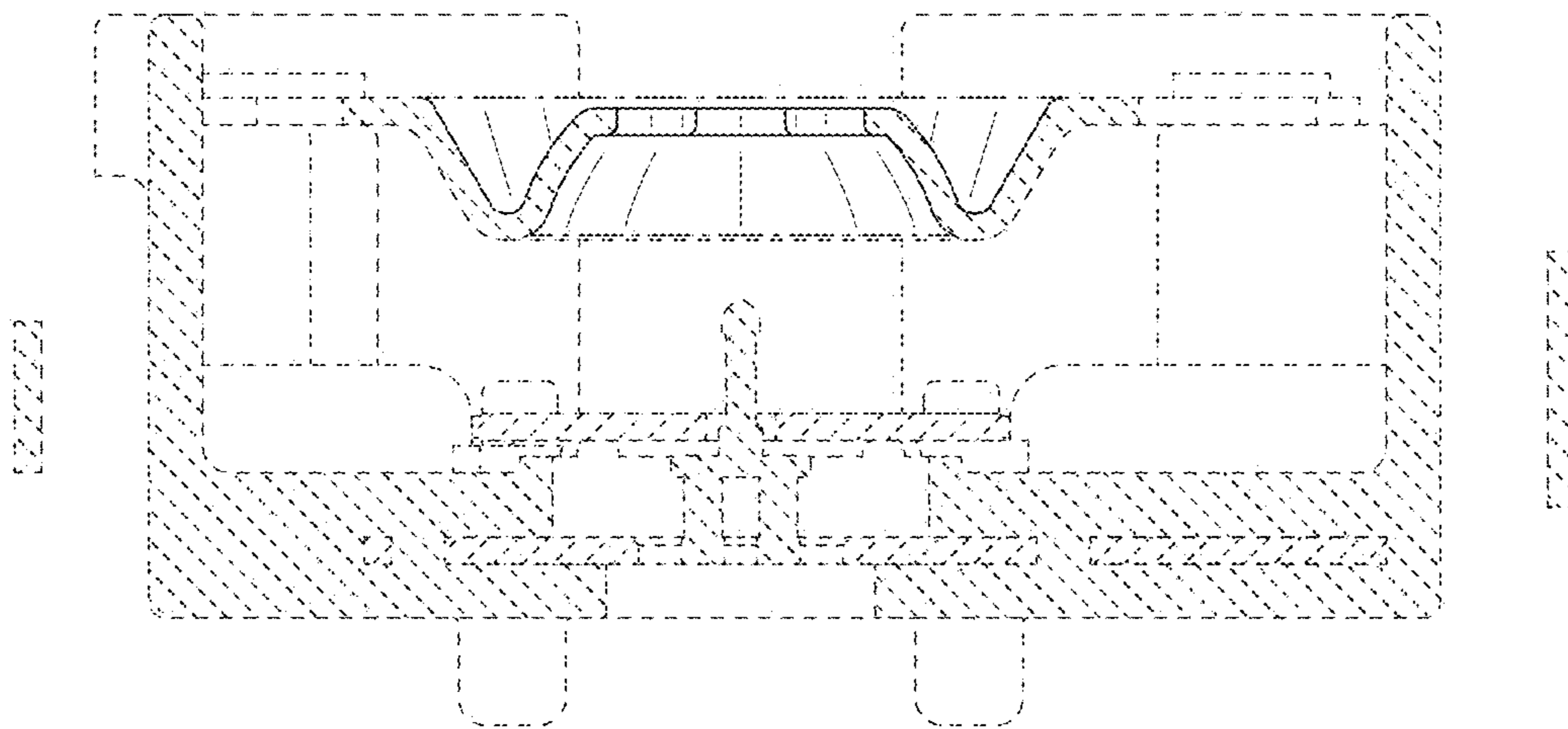


FIG. 9

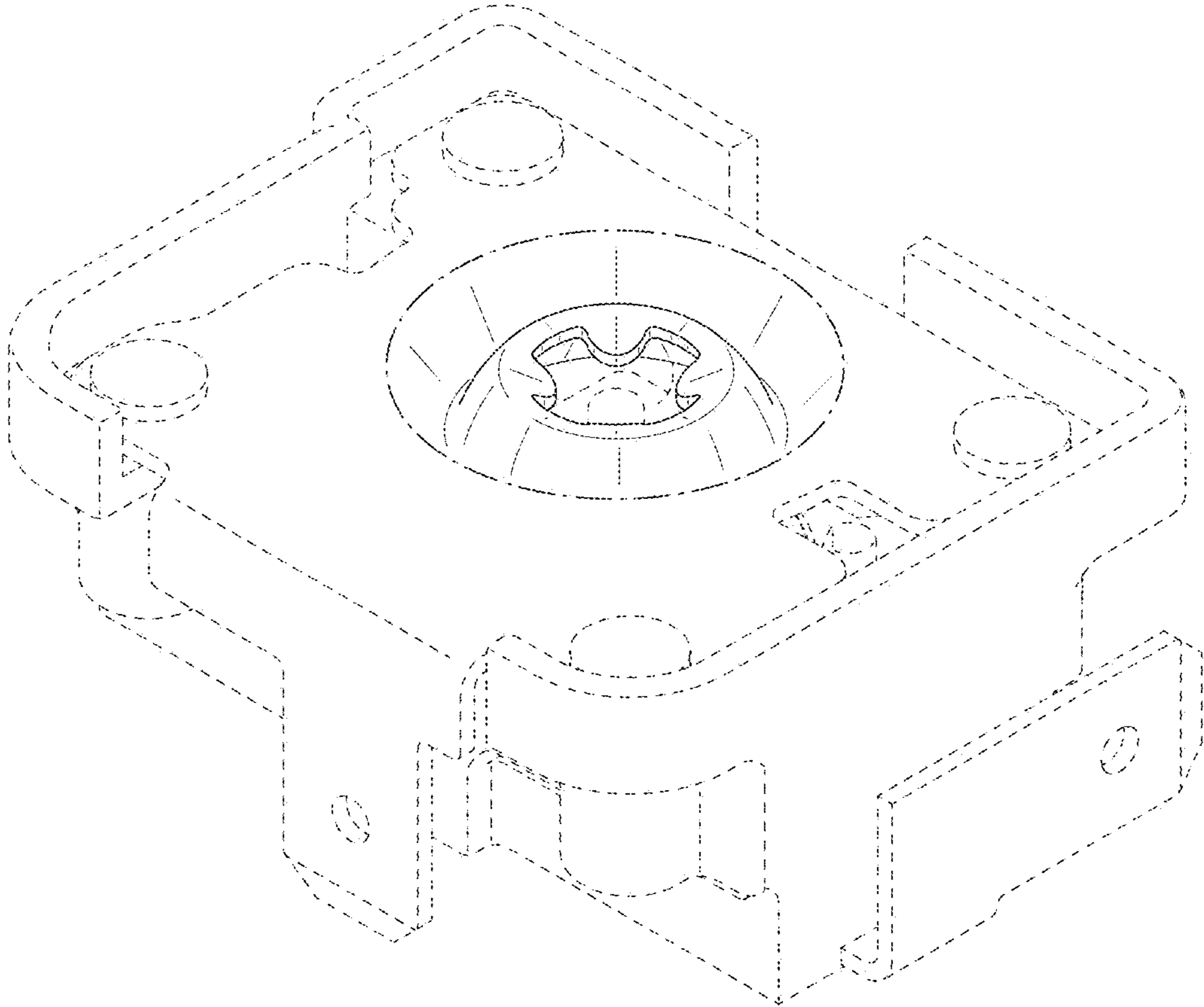


FIG. 10

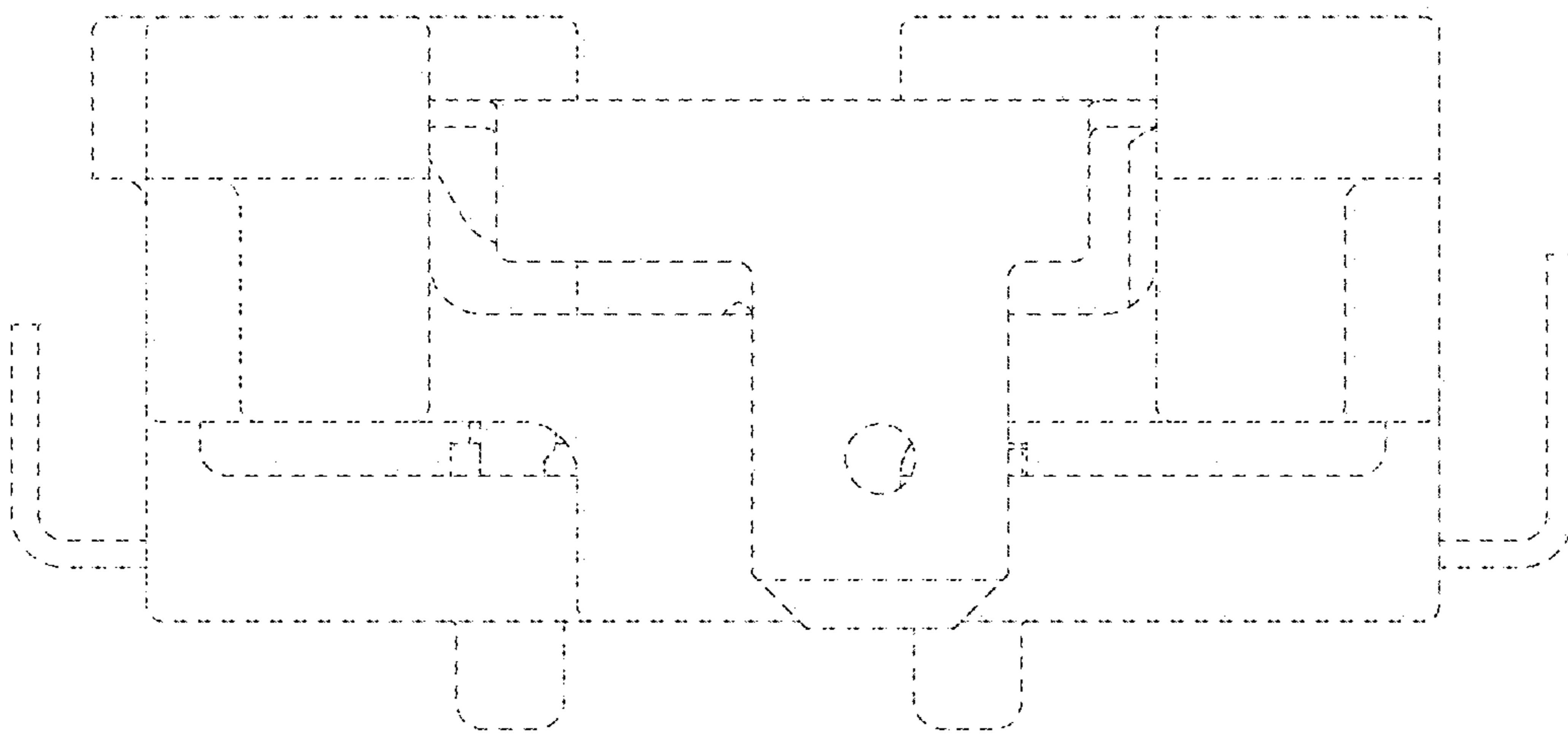


FIG. 11

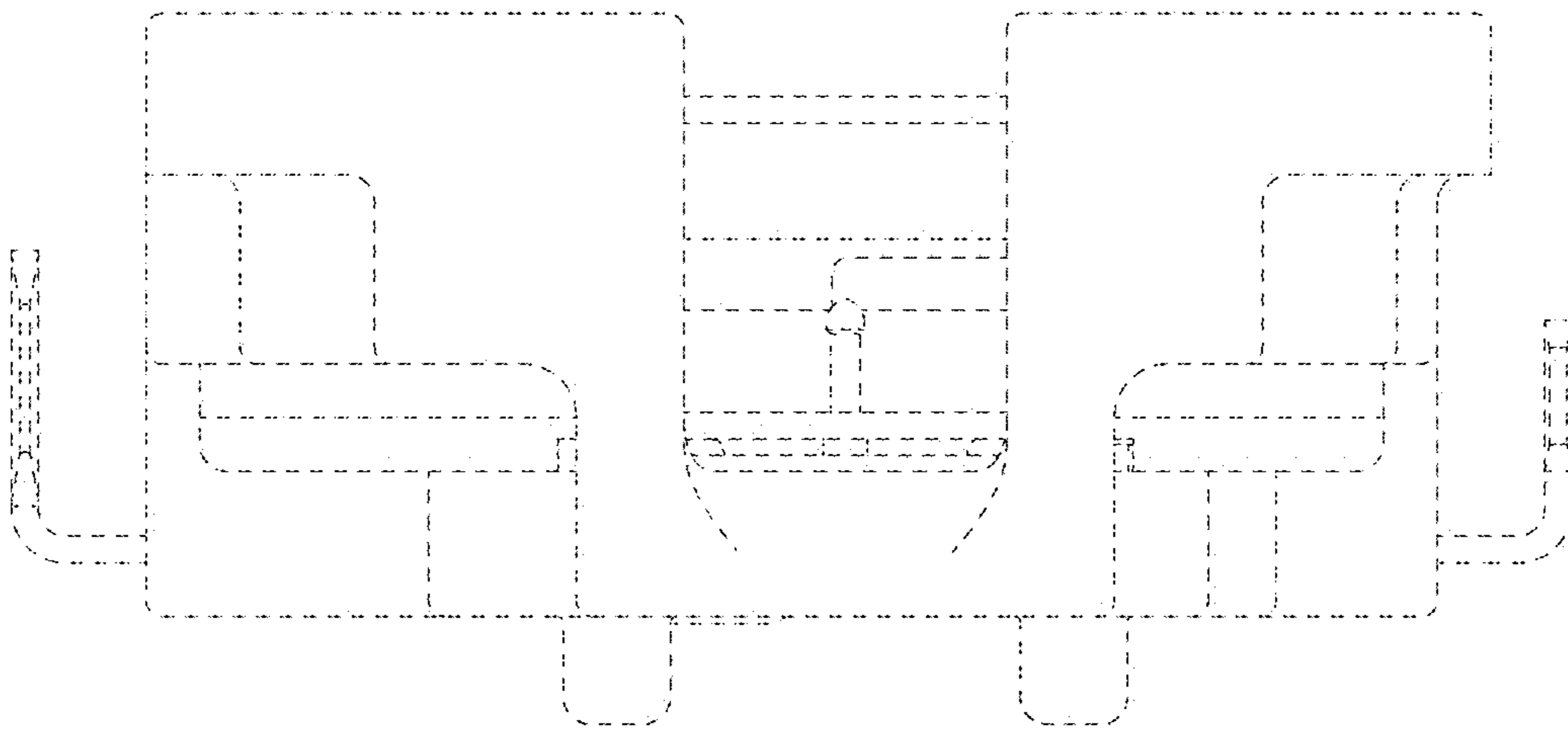


FIG. 12

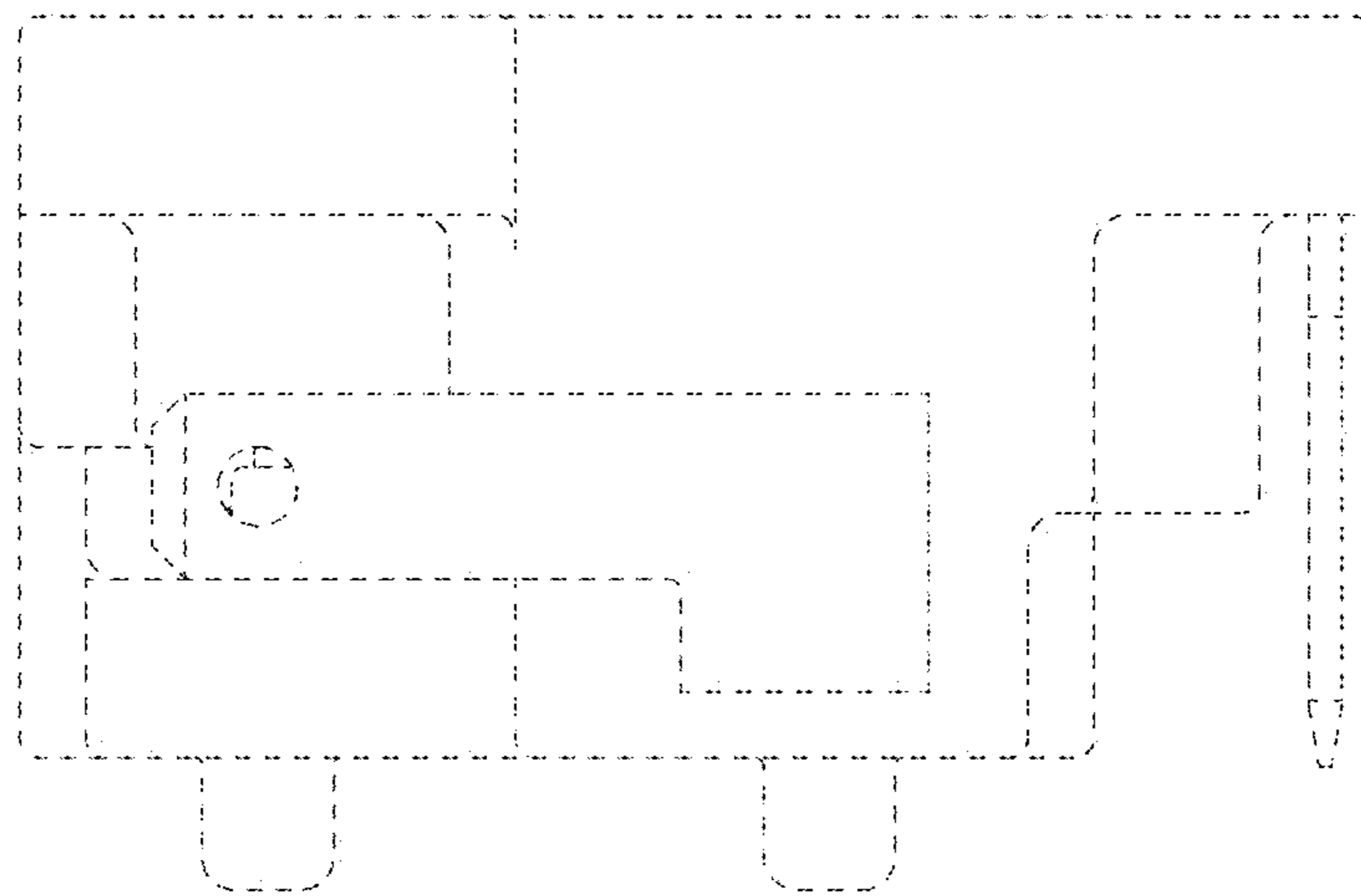


FIG. 13

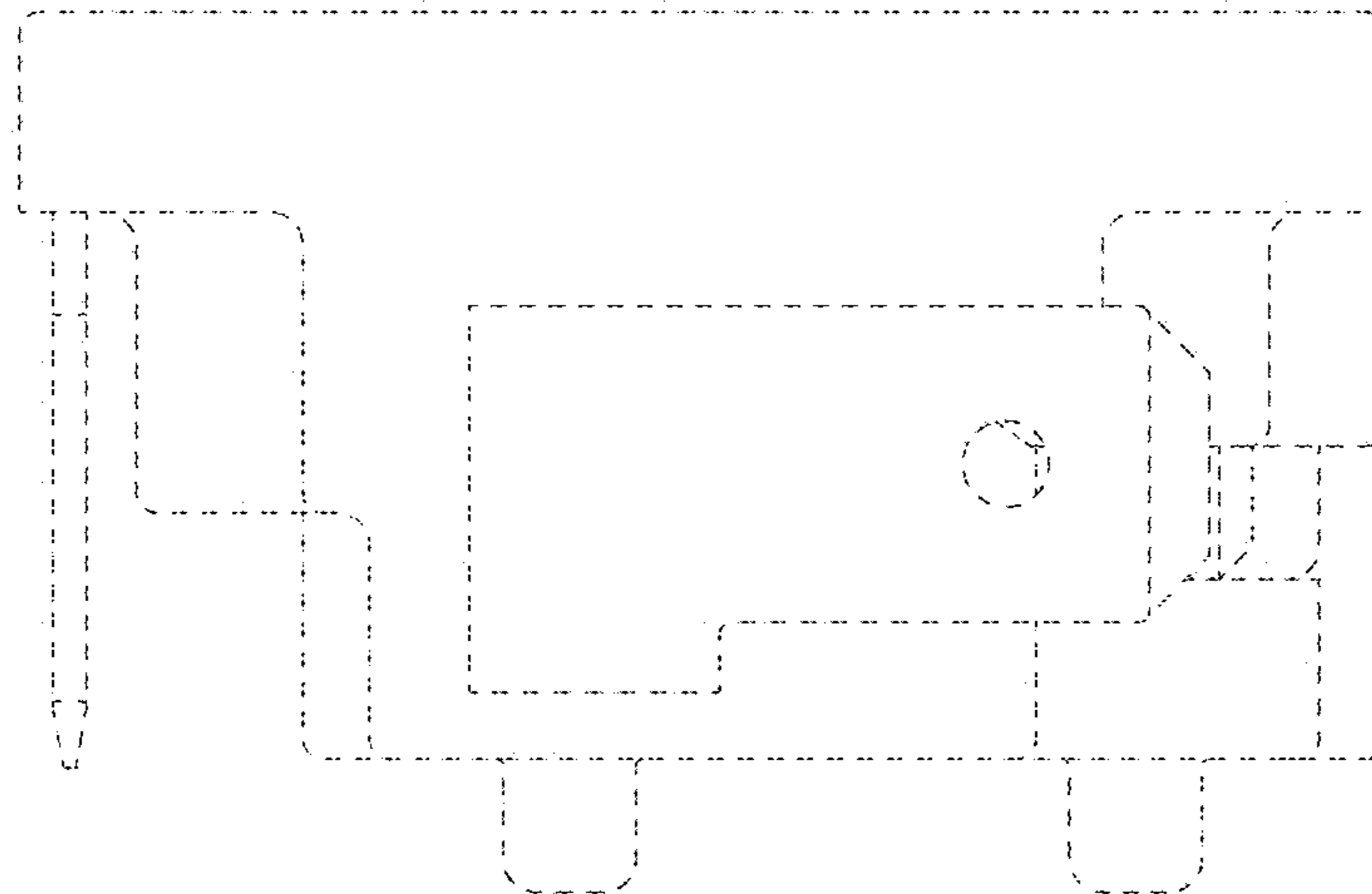


FIG. 14

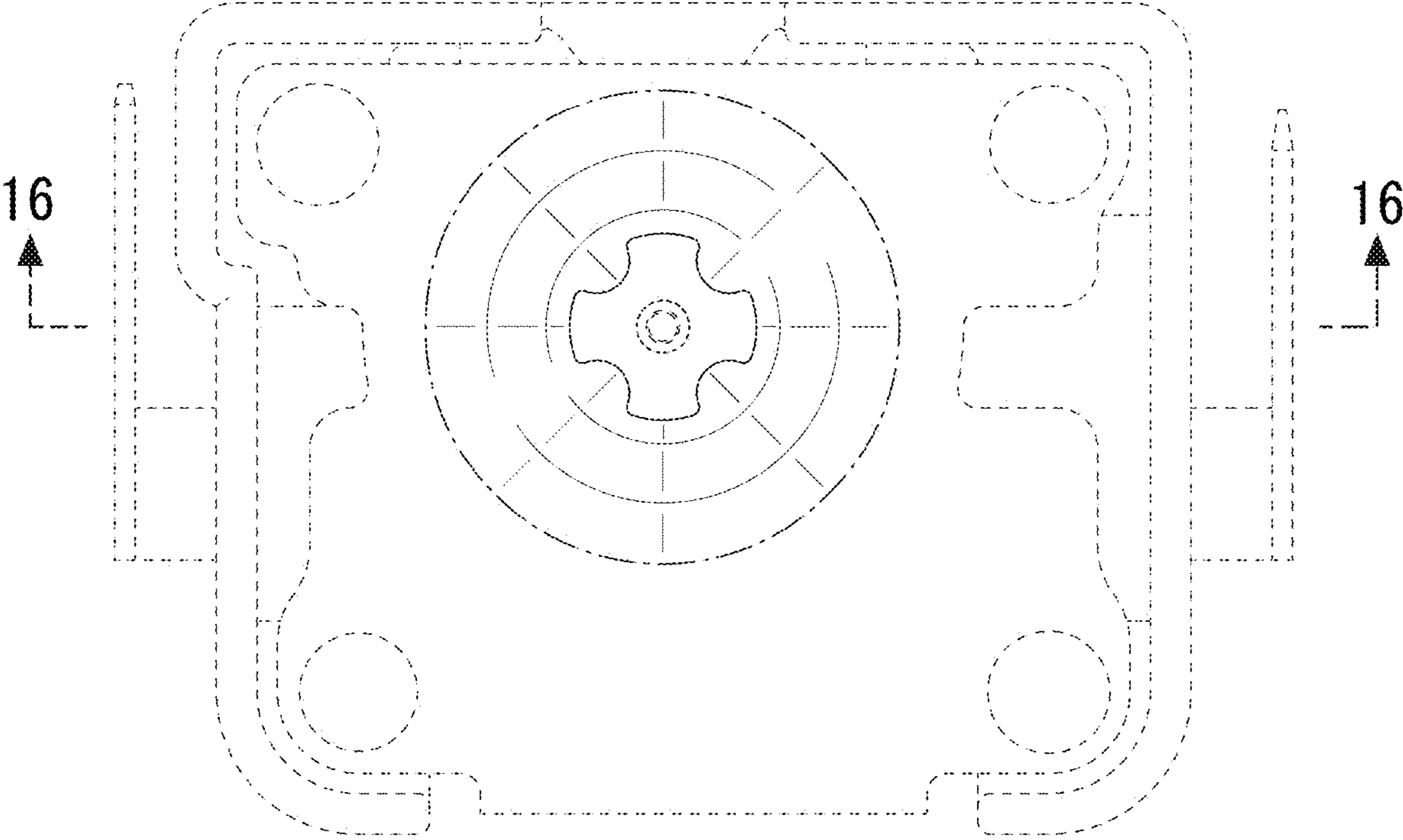


FIG. 15

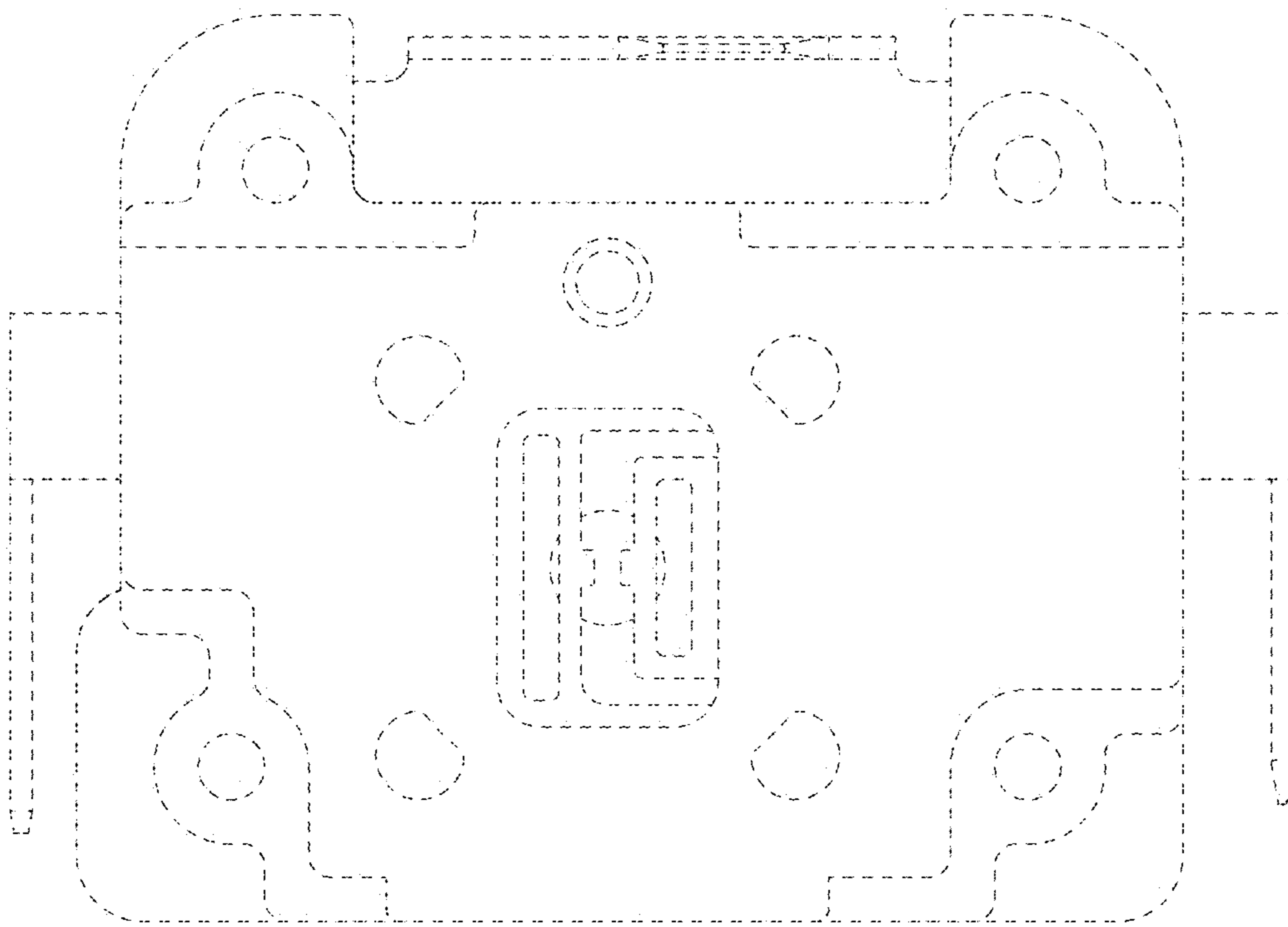


FIG. 16

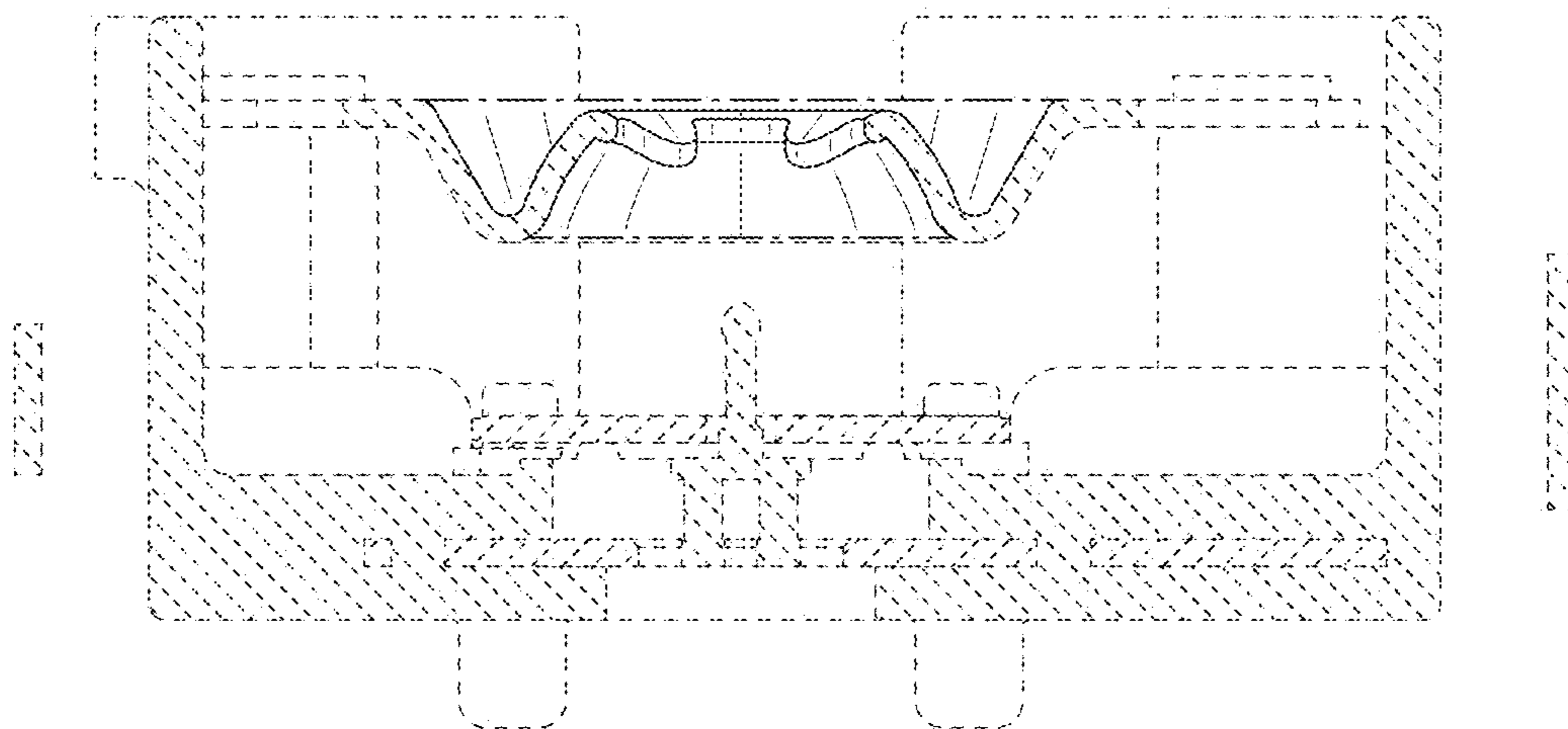


FIG. 17

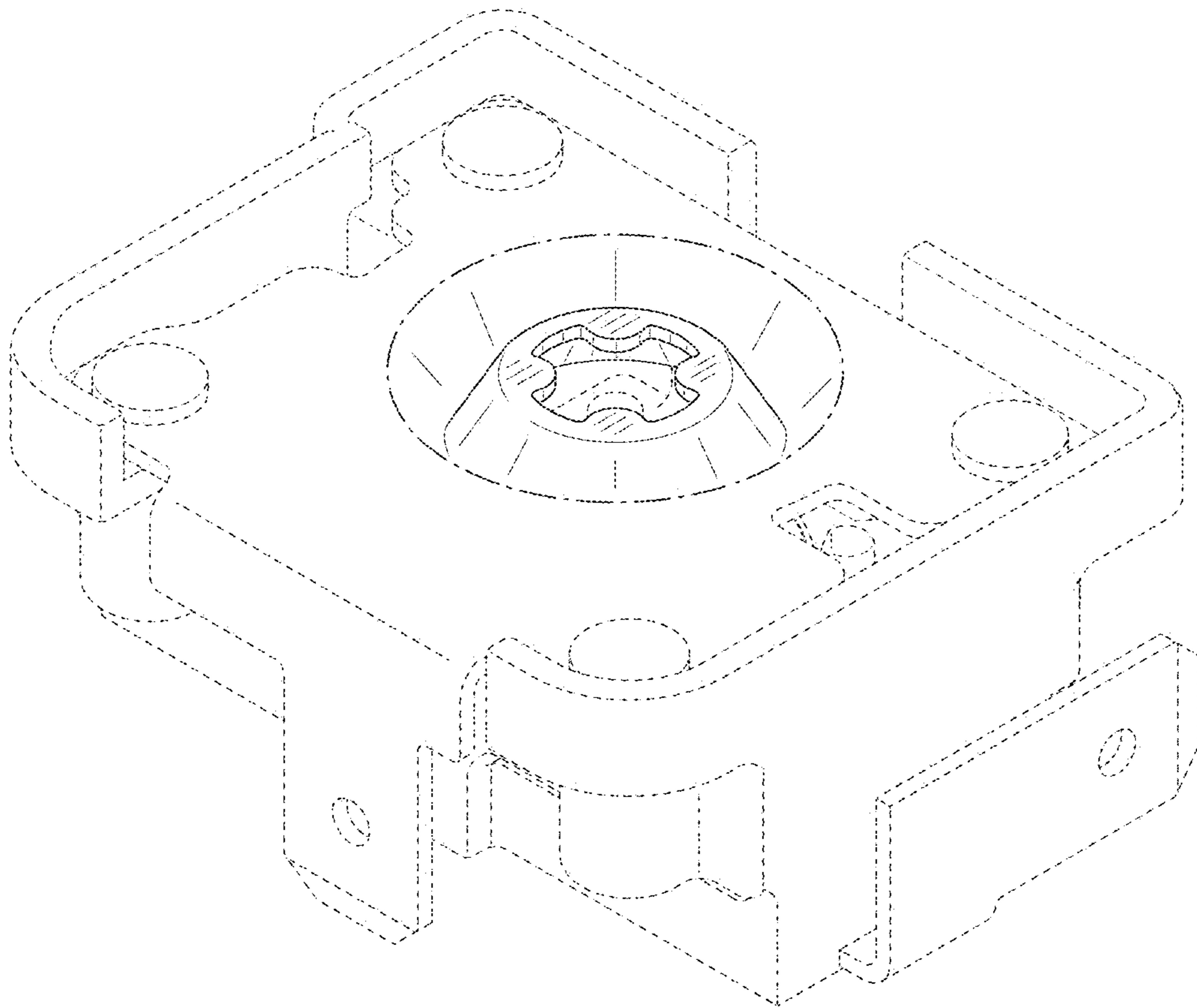


FIG. 18

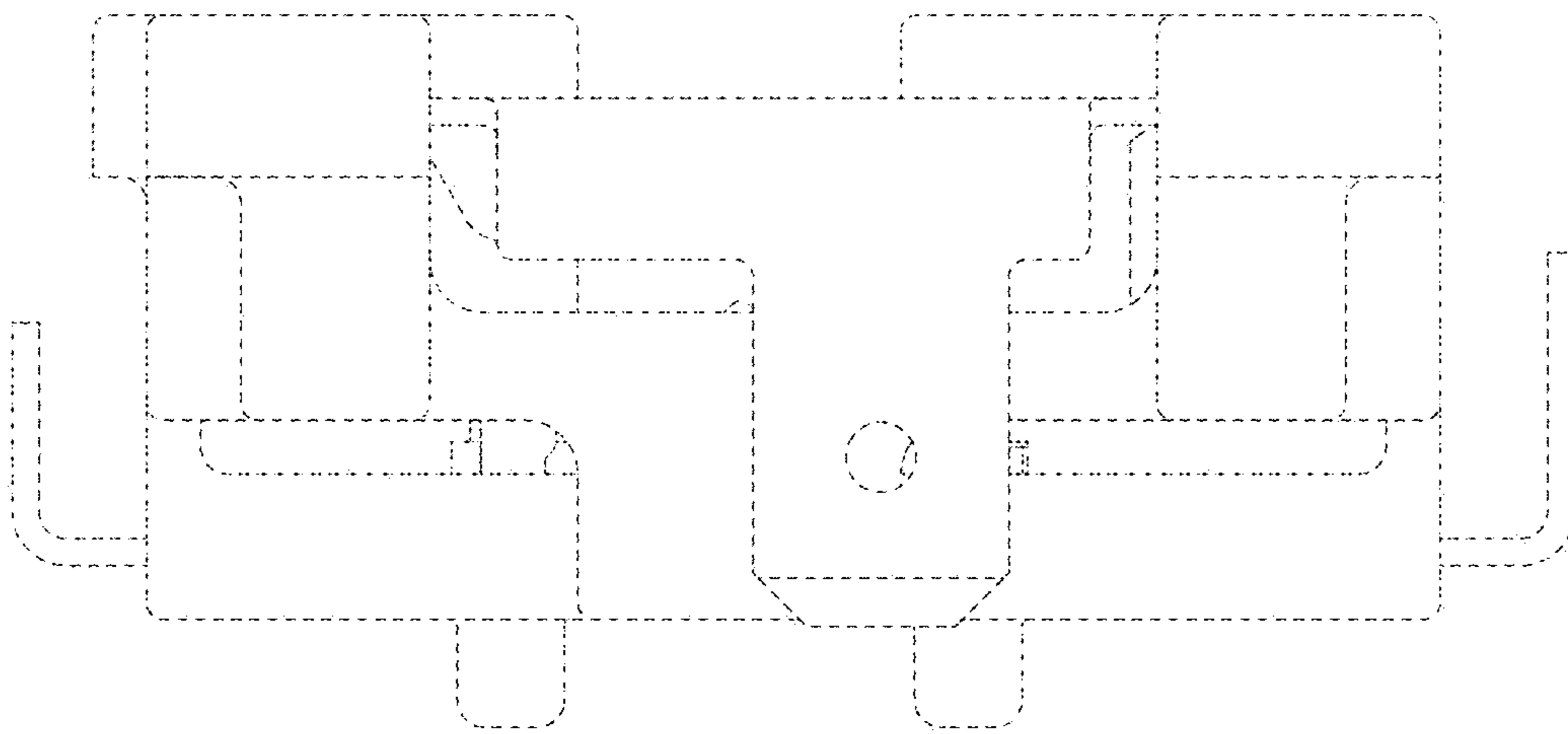


FIG. 19

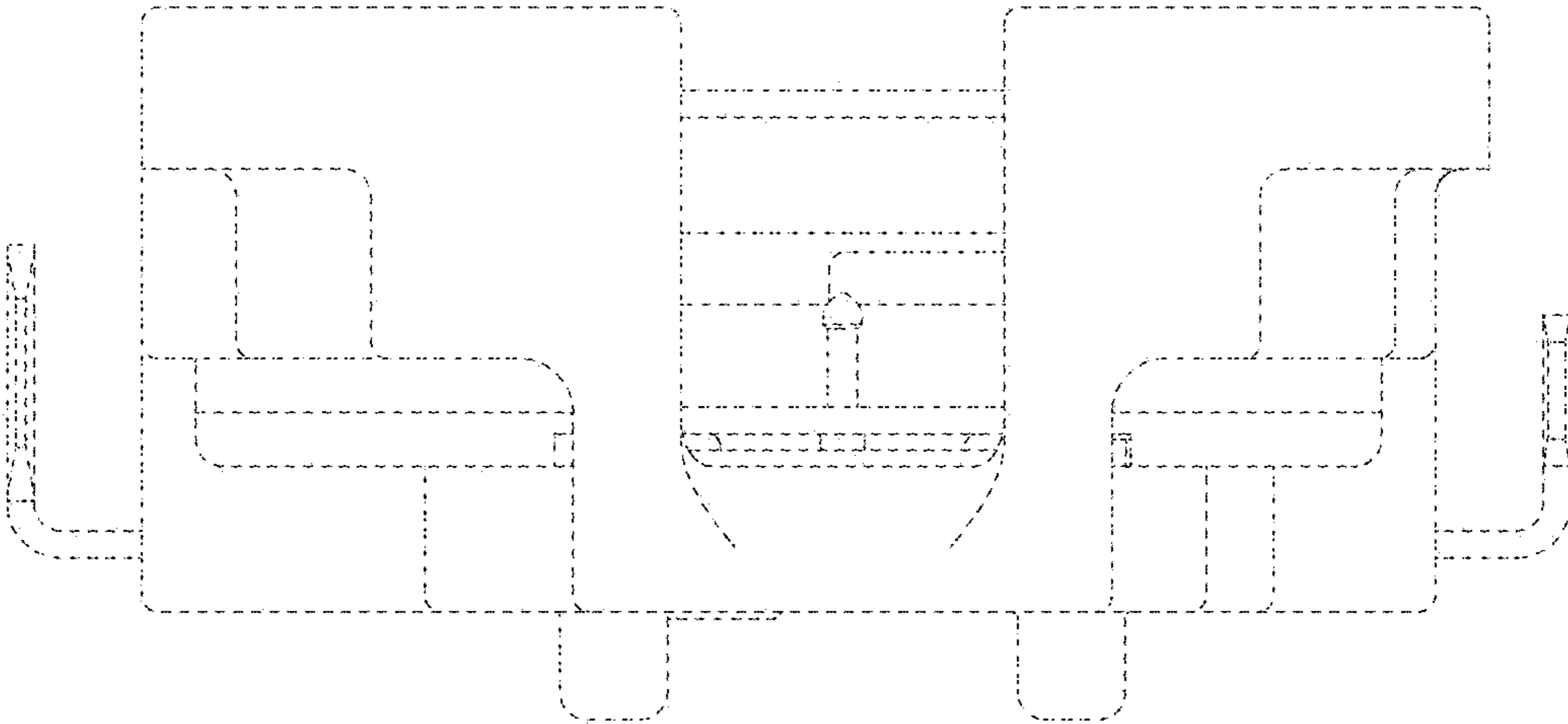


FIG. 20

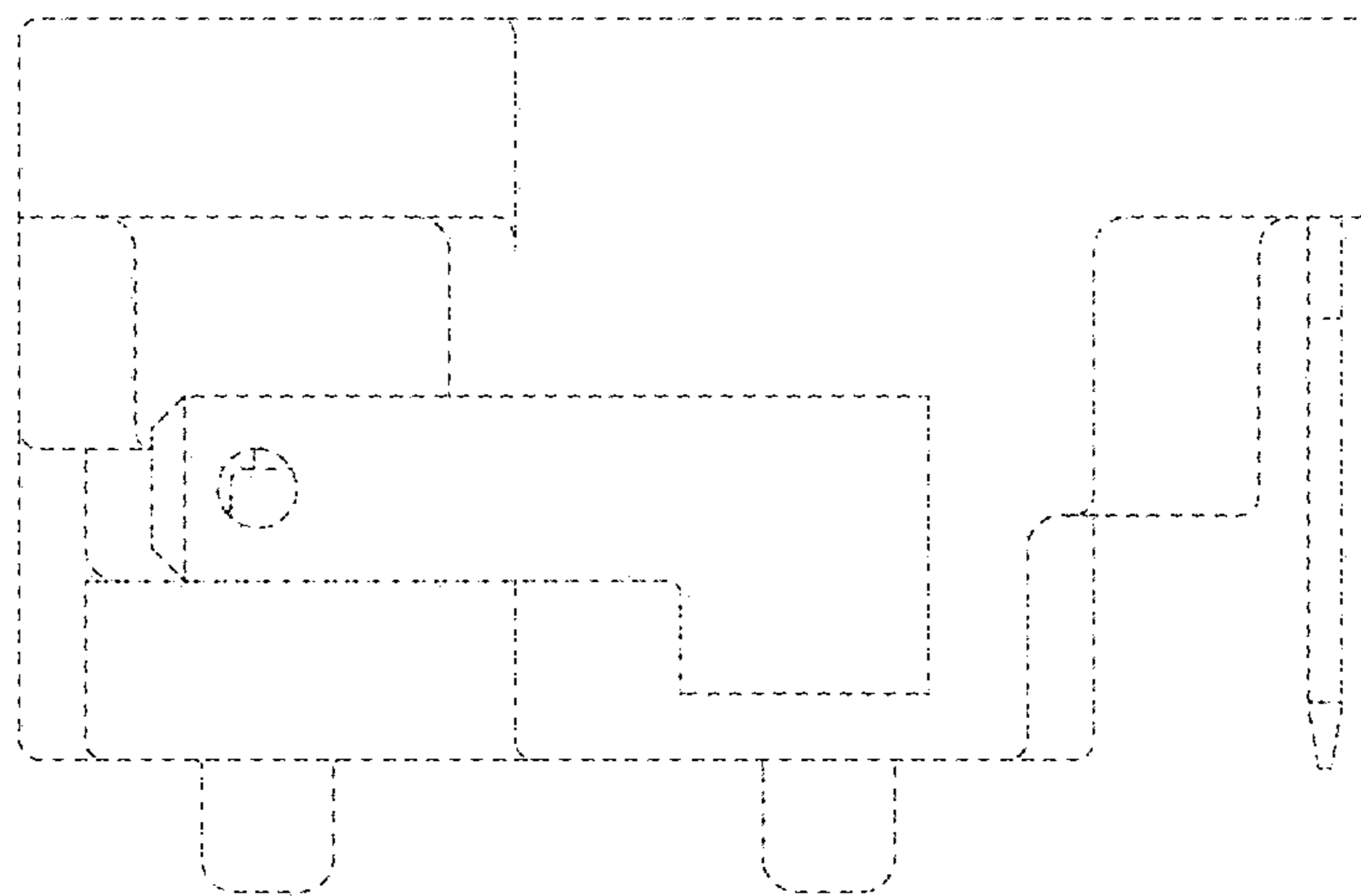


FIG. 21

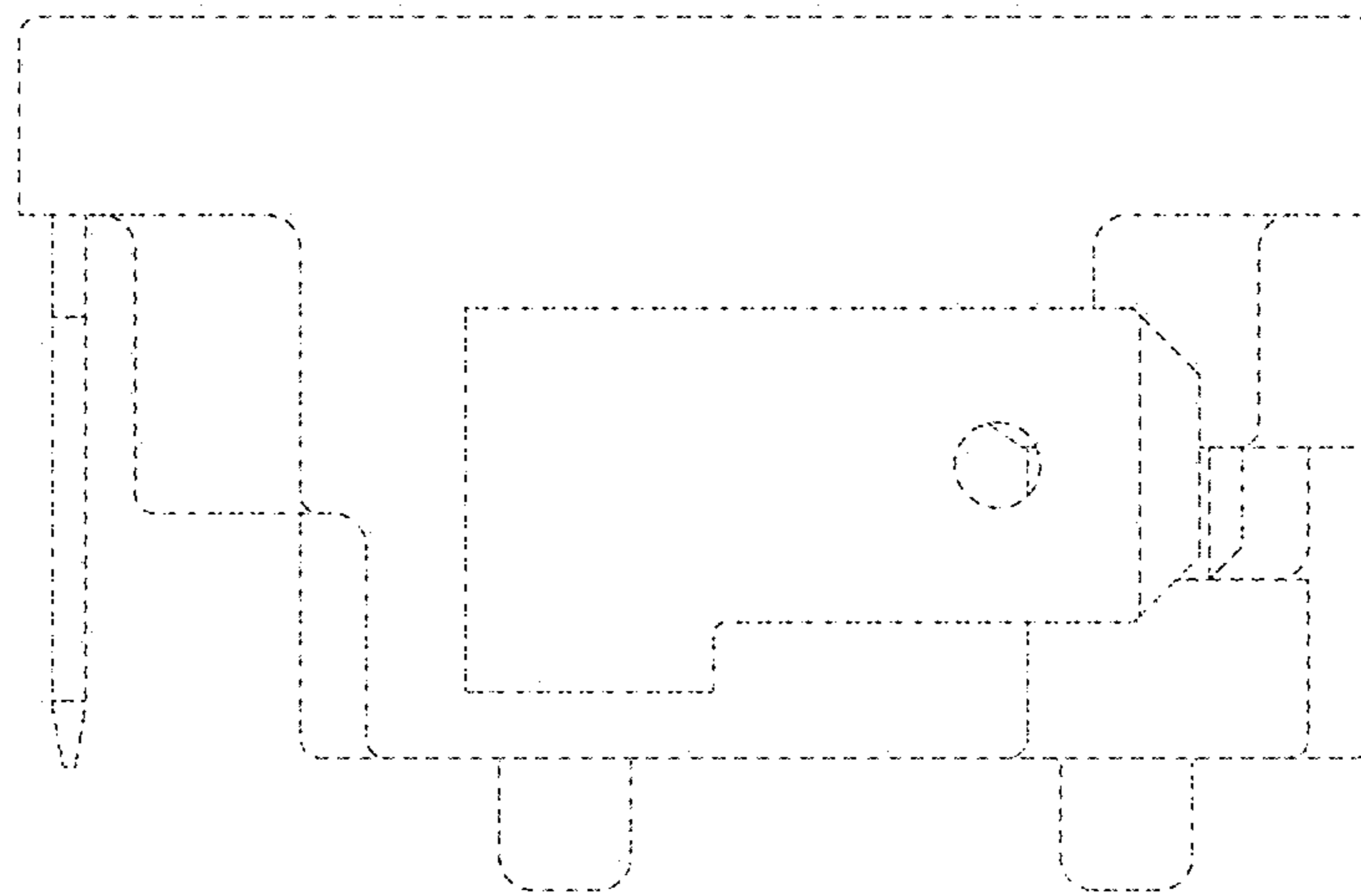


FIG. 22

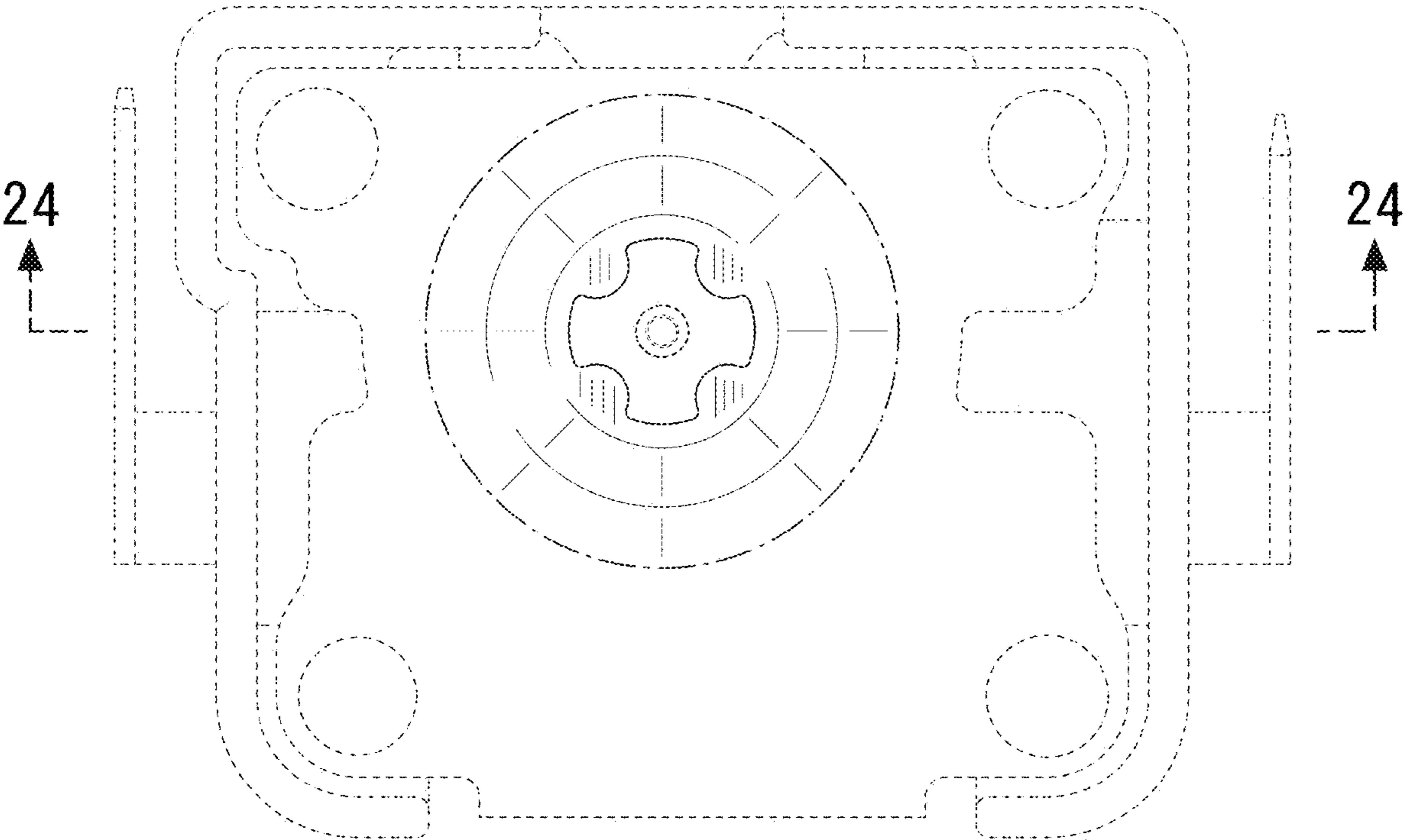


FIG. 23

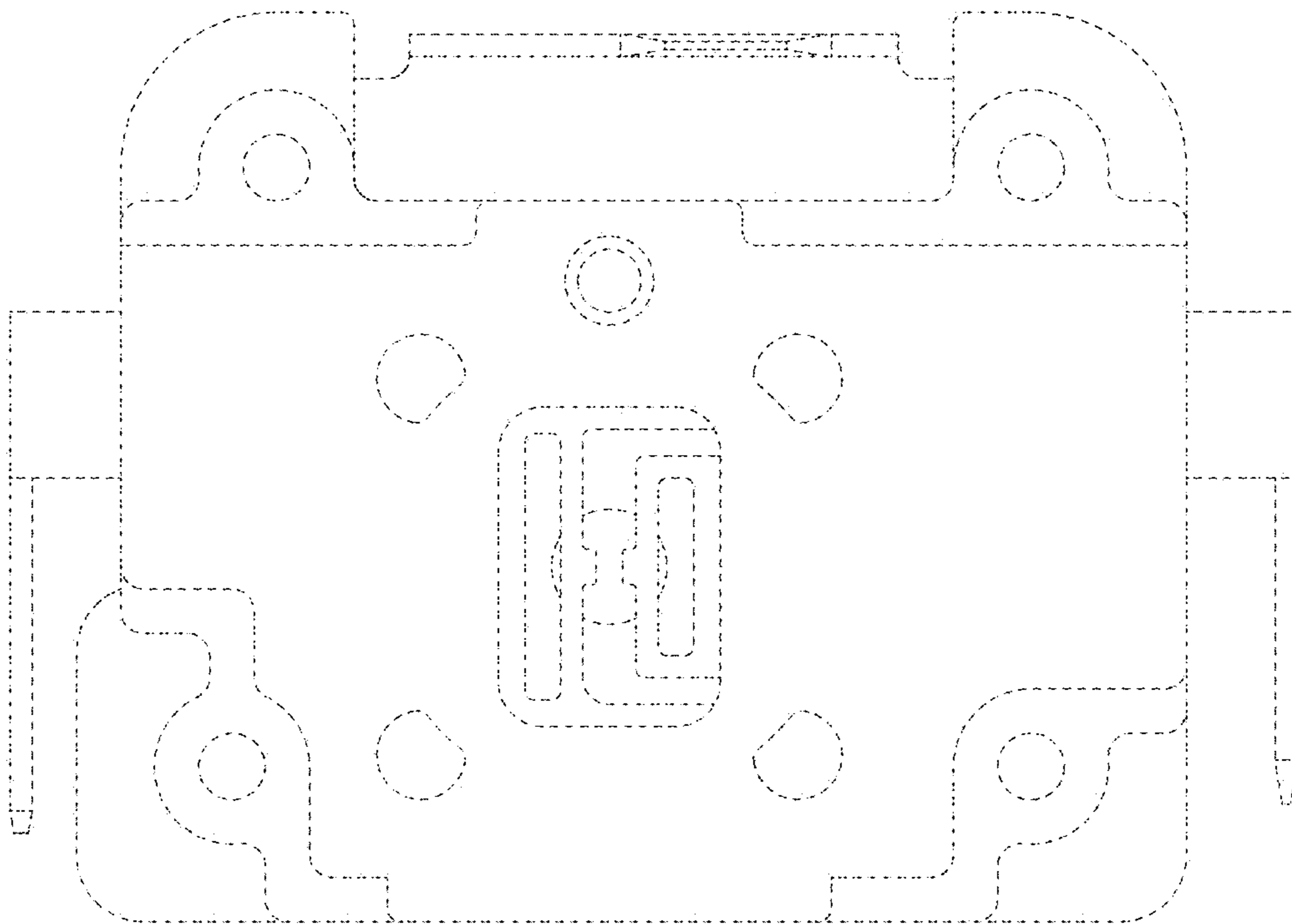


FIG. 24

