



US00D932444S

(12) **United States Design Patent** (10) **Patent No.:** **US D932,444 S**  
**Lee et al.** (45) **Date of Patent:** **\*\* Oct. 5, 2021**

(54) **ELECTRICAL CONNECTOR FOR DIGITAL SIGNAGE**

(71) Applicant: **LG ELECTRONICS INC.**, Seoul (KR)

(72) Inventors: **Yongho Lee**, Seoul (KR); **Jungyeon Hwang**, Seoul (KR)

(73) Assignee: **LG ELECTRONICS INC.**, Seoul (KR)

(\*\*) Term: **15 Years**

(21) Appl. No.: **35/508,815**

(22) Filed: **Jun. 3, 2019**

(80) **Hague Agreement Data**

Int. Filing Date: **Jun. 3, 2019**  
Int. Reg. No.: **DM/206291**  
Int. Reg. Date: **Jun. 3, 2019**  
Int. Reg. Pub. Date: **Mar. 13, 2020**

(30) **Foreign Application Priority Data**

Dec. 3, 2018 (KR) ..... 30-2018-0056577

(51) **LOC (13) Cl.** ..... **13-03**

(52) **U.S. Cl.**  
USPC ..... **D13/147**

(58) **Field of Classification Search**  
USPC ..... D13/107, 110, 118, 120, 123, 133, 146,  
D13/147, 149, 154, 184, 199;  
D14/348-363, 365-370  
CPC ..... H01R 12/00; H01R 12/70; H01R 12/71;  
H01R 12/716; H01R 13/405; H01R  
13/426; H01R 13/631; H01R 13/635  
See application file for complete search history.

(56) **References Cited**

**U.S. PATENT DOCUMENTS**

D524,310 S \* 7/2006 Kent ..... D13/147  
D525,589 S \* 7/2006 Wu ..... D13/147

D605,133 S \* 12/2009 Tanaka ..... D13/147  
D624,540 S \* 9/2010 Tai ..... D14/356  
D627,345 S \* 11/2010 Govindasamy ..... D14/356  
D752,514 S \* 3/2016 Hoppmann ..... D13/133  
D811,349 S \* 2/2018 Huetteimeier ..... D13/158  
D811,350 S \* 2/2018 Huetteimeier ..... D13/158  
D866,551 S \* 11/2019 Choi ..... D14/356  
D877,703 S \* 3/2020 Holub ..... D13/147  
D890,103 S \* 7/2020 Kondo ..... D13/147  
D906,254 S \* 12/2020 Naganuma ..... D13/147  
D907,579 S \* 1/2021 Asano ..... D13/147  
D907,580 S \* 1/2021 Asano ..... D13/147  
D908,633 S \* 1/2021 Cartier, Jr. .... D13/147  
D908,635 S \* 1/2021 Takenaga ..... D13/147  
D908,636 S \* 1/2021 Takenaga ..... D13/147

\* cited by examiner

*Primary Examiner* — Bao-Yen T Nguyen  
(74) *Attorney, Agent, or Firm* — Birch, Stewart, Kolasch & Birch LLP

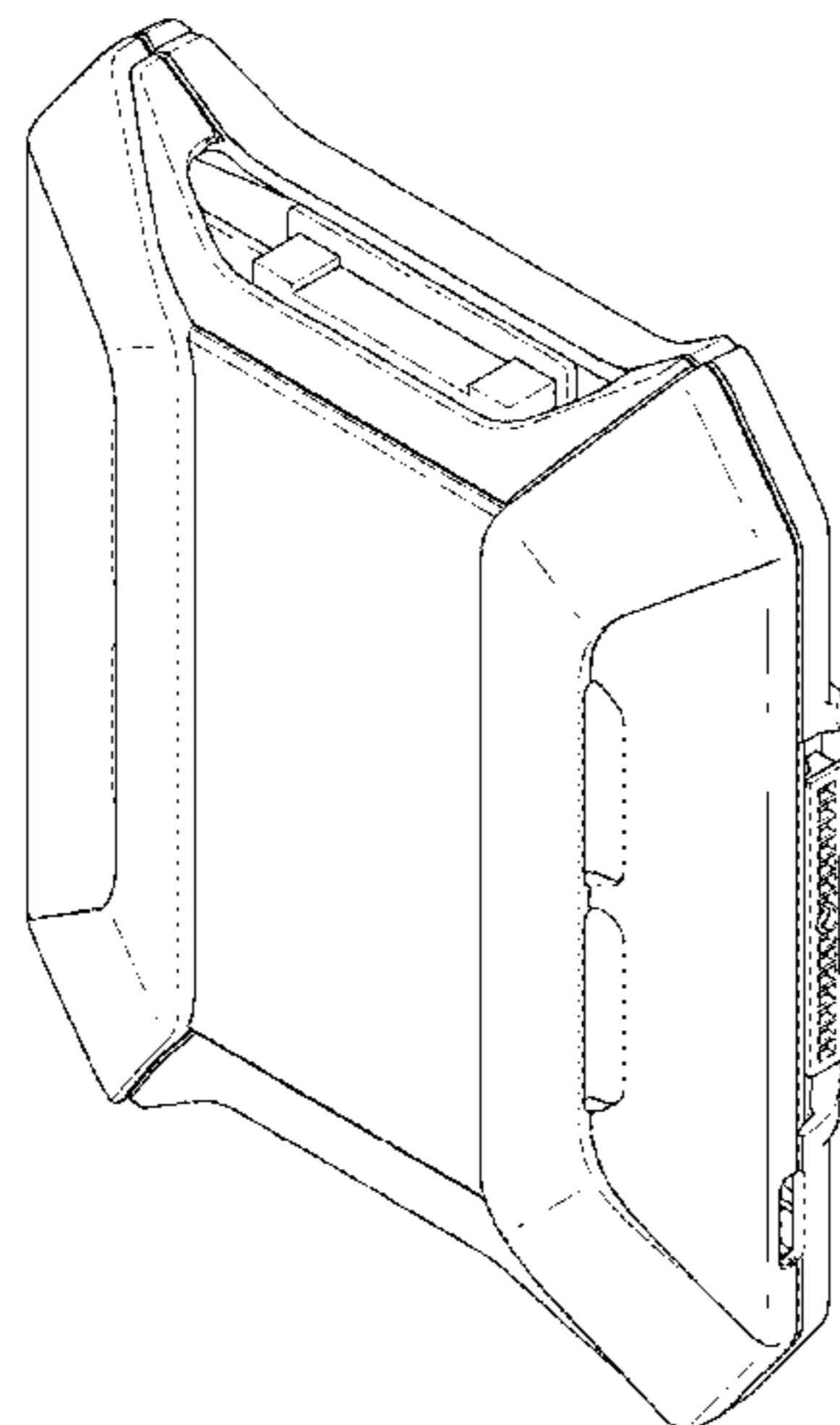
(57) **CLAIM**

The ornamental design for an electrical connector for a digital signage, as shown and described.

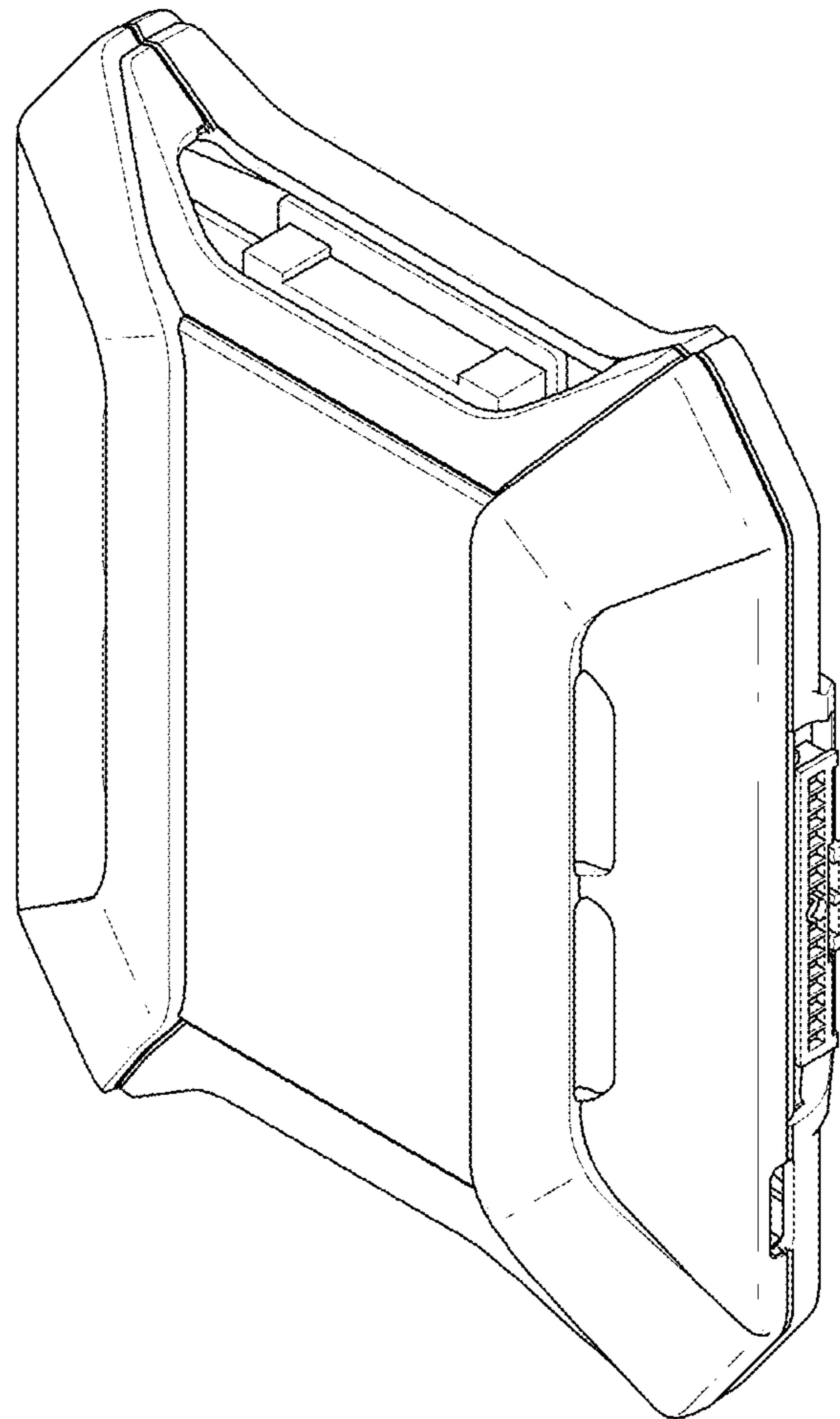
**DESCRIPTION**

1. Electrical connector for digital signage  
**1.1** : Perspective  
**1.2** : Front  
**1.3** : Back  
**1.4** : Left  
**1.5** : Right  
**1.6** : Top  
**1.7** : Bottom  
**1.8** : Reference  
The broken lines indicate portions of the article that form no part of the claimed design; reference view shows its installation to the digital signage.

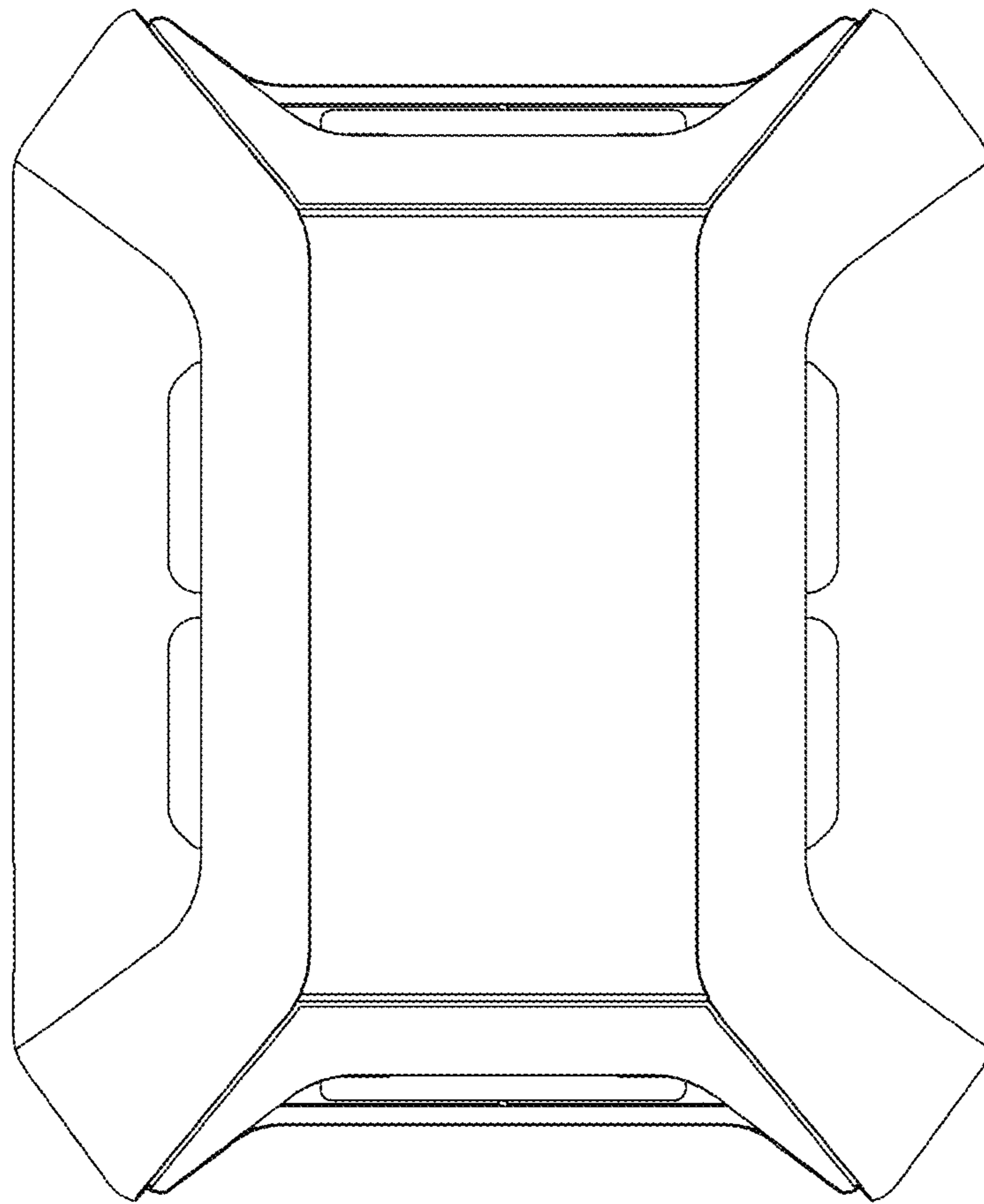
**1 Claim, 8 Drawing Sheets**



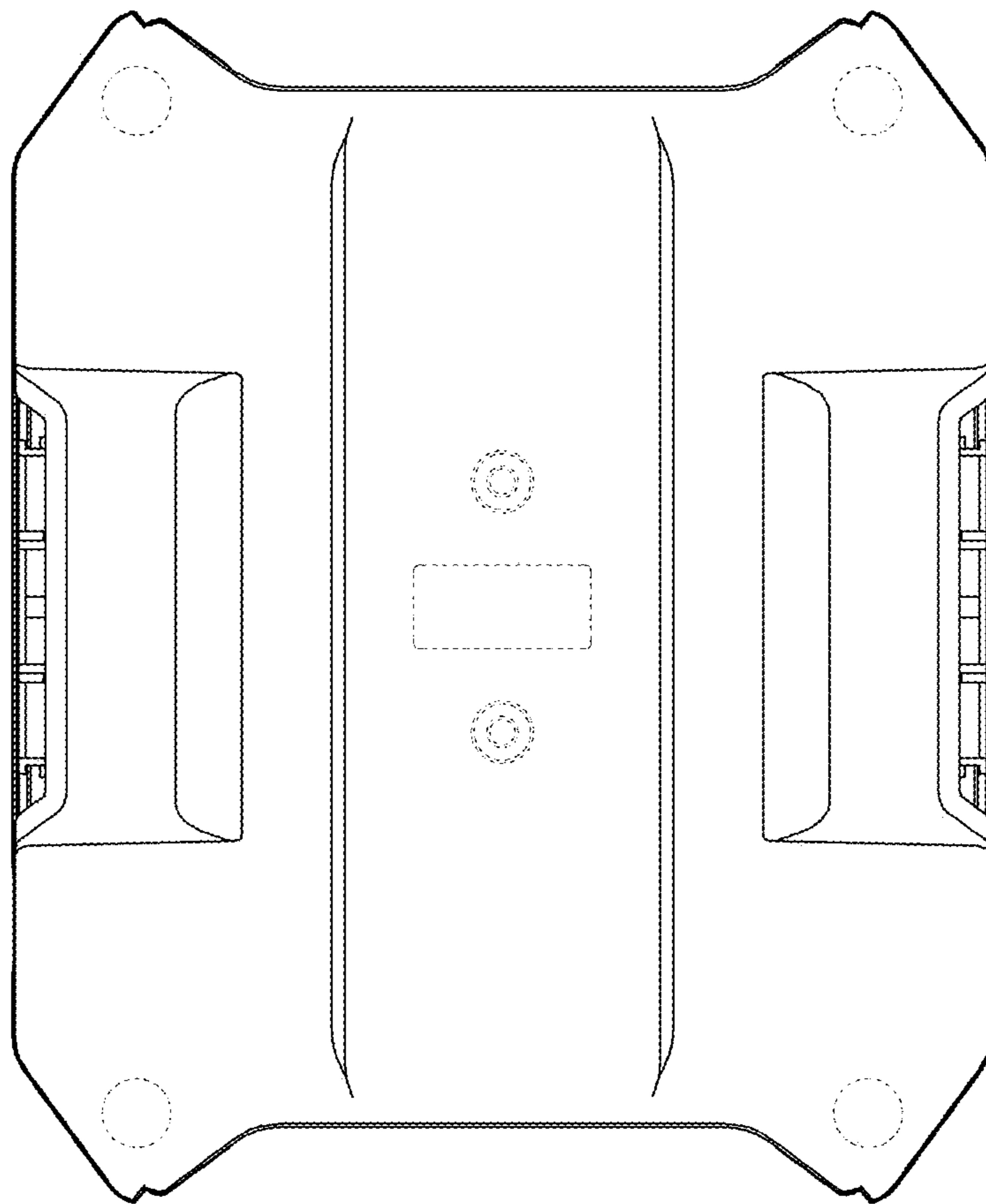
1.1



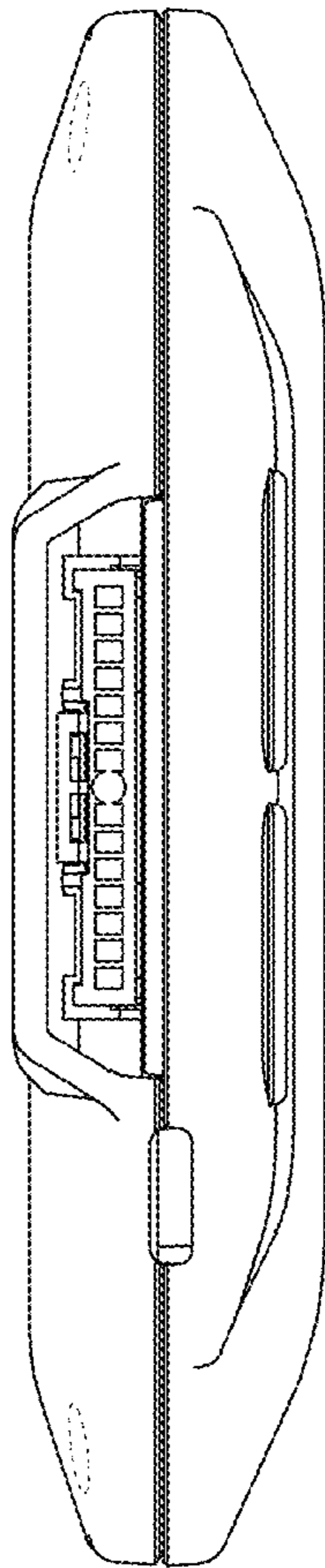
1.2



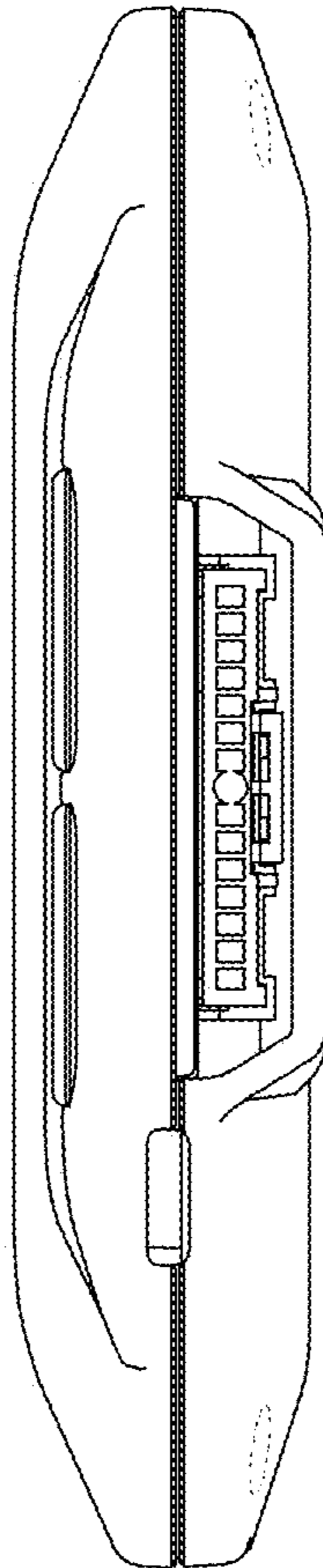
1.3



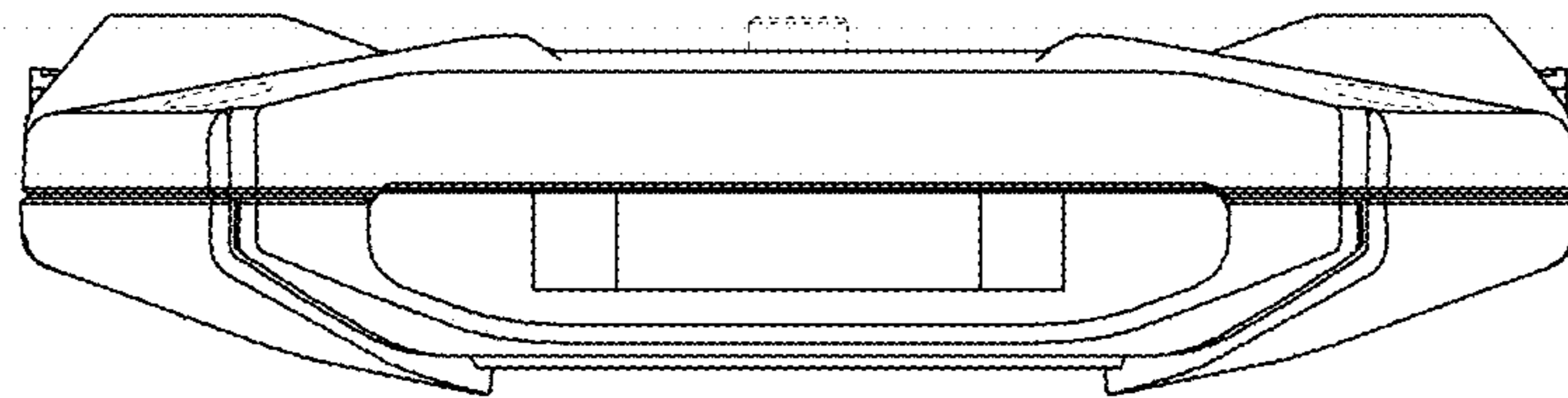
1.4



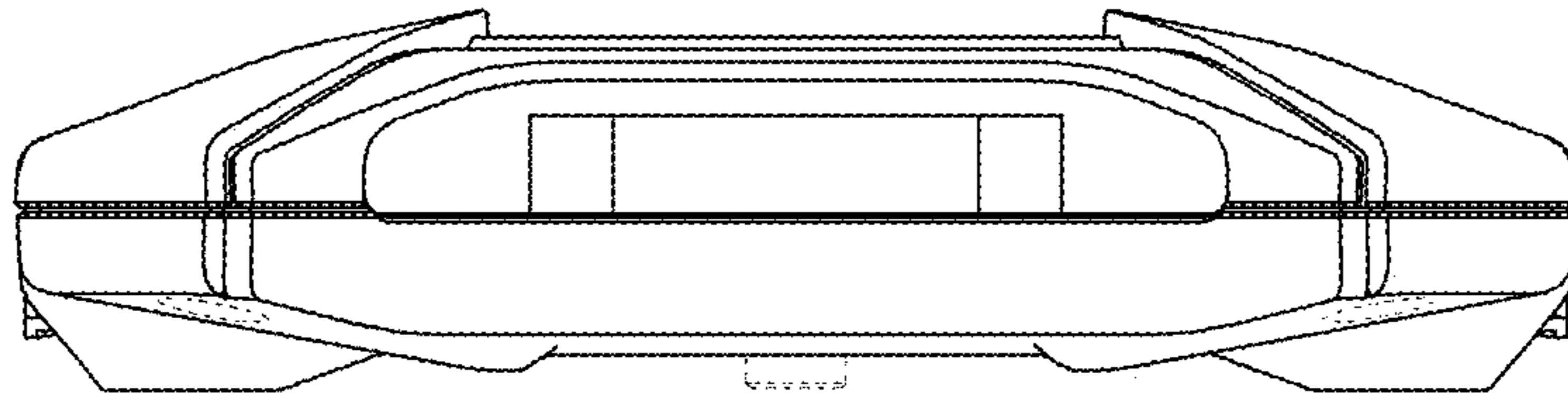
1.5



1.6



1.7





1.8

