



US00D932443S

(12) **United States Design Patent**
Scully

(10) **Patent No.:** **US D932,443 S**

(45) **Date of Patent:** **** Oct. 5, 2021**

- (54) **USB CABLE AND CARRYING CASE SET**
- (71) Applicant: **LEVER STUDIOS, INC.**, Greenville, SC (US)
- (72) Inventor: **Michael J. Scully**, Greenville, SC (US)
- (73) Assignee: **Lever Studios, Inc.**, Greenville, SC (US)

2006/0082963 A1* 4/2006 Chen G06K 19/07741
361/679.32
2012/0293943 A1* 11/2012 Fletcher H05K 5/0278
361/679.32
2013/0003287 A1* 1/2013 Fletcher H05K 5/0278
361/679.32

(**) Term: **15 Years**

(21) Appl. No.: **29/695,270**

(22) Filed: **Jun. 18, 2019**

(51) **LOC (13) Cl.** **13-03**

(52) **U.S. Cl.**
USPC **D13/147; D13/156**

(58) **Field of Classification Search**
USPC D13/118, 120, 173, 103, 107, 108, 110,
D13/112, 123, 133, 137.1, 145–147,
D13/149–156, 158, 177, 184, 199, 242;
D14/240, 242, 256, 432, 433, 434, 435.1,
D14/438, 480.1–480.7, 484

See application file for complete search history.

(56) **References Cited**

U.S. PATENT DOCUMENTS

- D515,087 S * 2/2006 Reusing D14/480.1
- D675,573 S * 2/2013 Farris-Gilbert D13/147
- D675,630 S * 2/2013 Ni D14/480.1
- D675,992 S * 2/2013 Farris-Gilbert D13/147
- D798,875 S * 10/2017 Huang D14/480.1
- D855,972 S * 8/2019 Scully D3/219
- D878,383 S * 3/2020 McEuen D14/480.5
- D885,406 S * 5/2020 Wang D14/480.6
- D899,428 S * 10/2020 Shen D14/433

OTHER PUBLICATIONS

Anywhere Tools WeeLINK, Apr. 24, 2019, [online], [Site visited Nov. 19, 2020], Available from Internet URL: <https://www.amazon.com/dp/B07R72JM2D>(Year: 2019).*

* cited by examiner

Primary Examiner — Susan Bennett Hattan

Assistant Examiner — Landon Thomas Cassell

(74) *Attorney, Agent, or Firm* — JK Intellectual Property Law, PA

(57) **CLAIM**

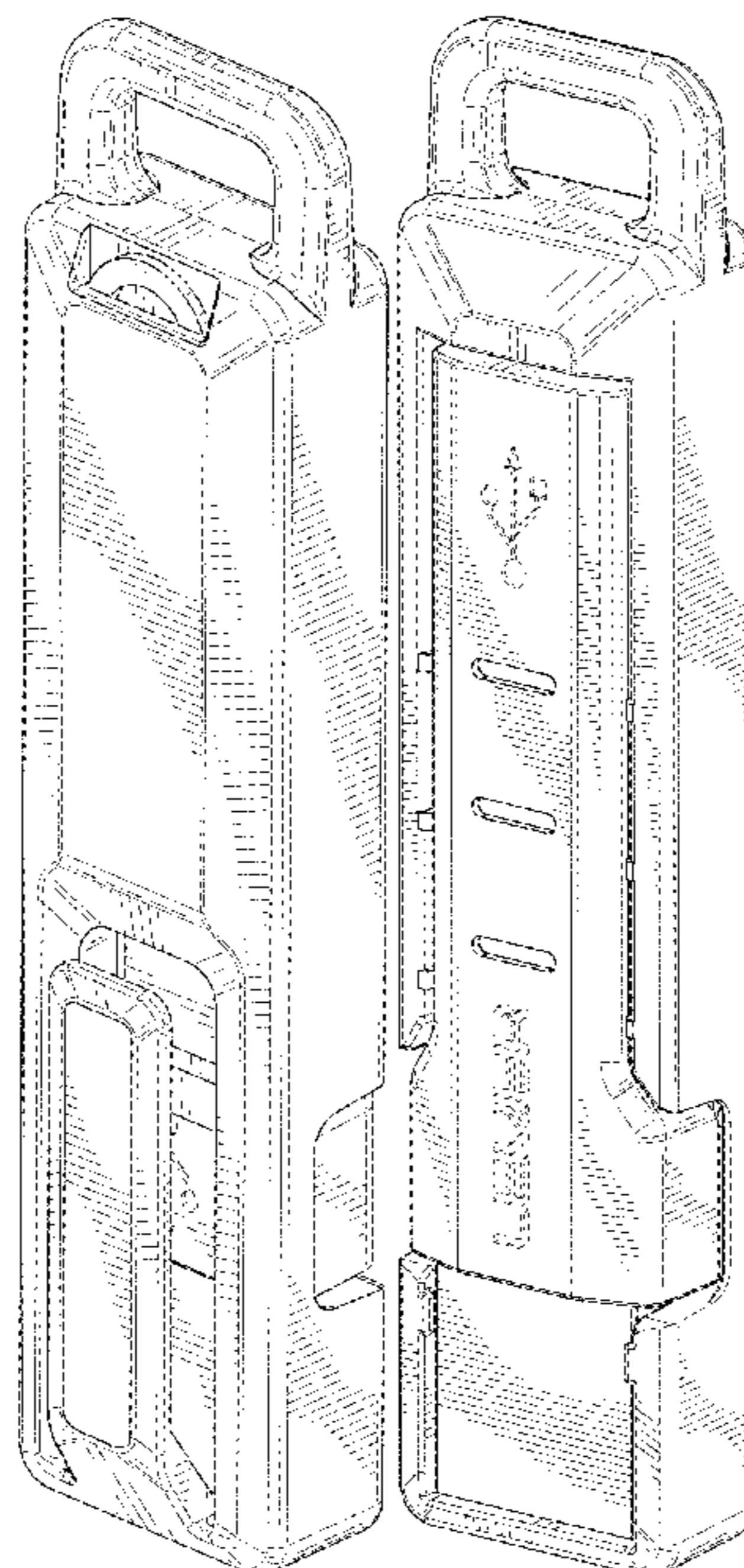
The ornamental design for a USB cable and carrying case set, as shown and described.

DESCRIPTION

FIG. 1 is an isometric front view of a USB cable and carrying case set according to the present design;
 FIG. 2 is an isometric rear view thereof;
 FIG. 3 is a front view thereof;
 FIG. 4 is a rear view thereof;
 FIG. 5 is a left side view thereof;
 FIG. 6 is a right side view thereof;
 FIG. 7 is a top view thereof; and,
 FIG. 8 is a bottom view thereof.

The broken lines in the drawings depict environmental subject matter only and form no part of the claimed design.

1 Claim, 7 Drawing Sheets



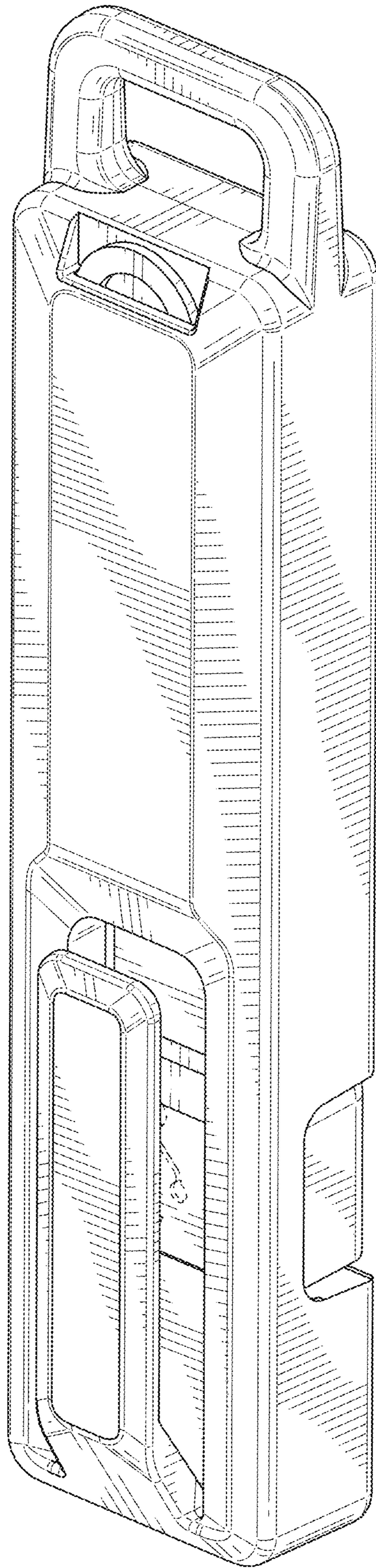


FIG. 1

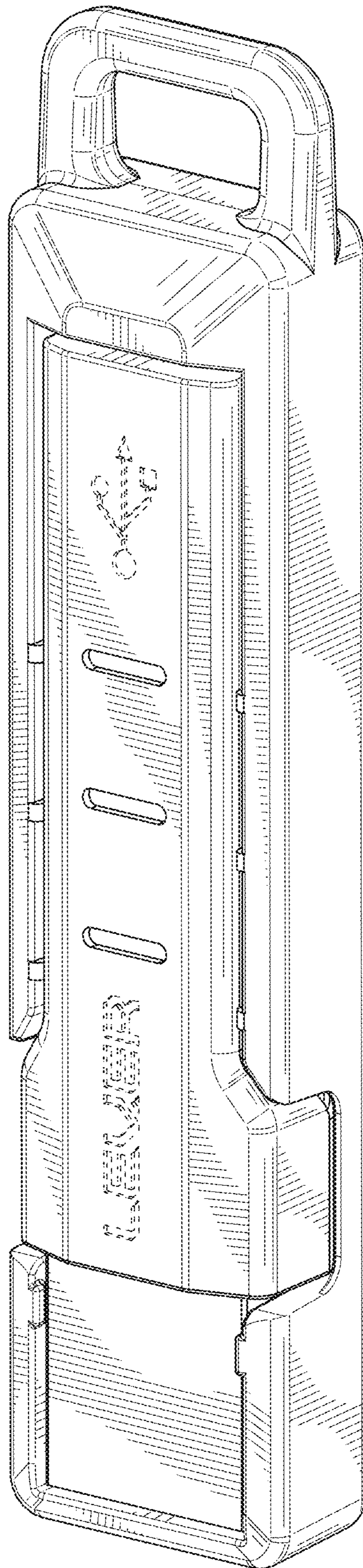


FIG. 2

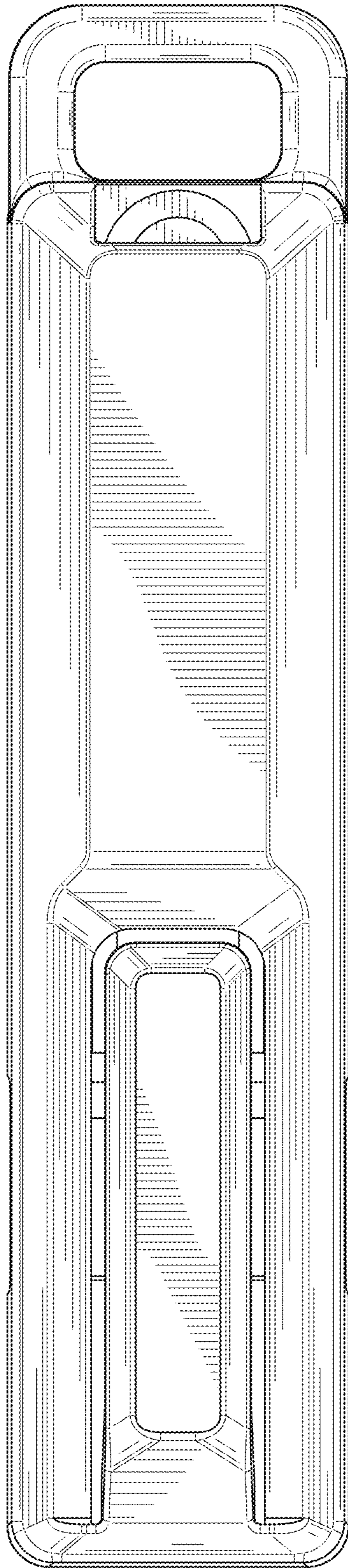


FIG. 3

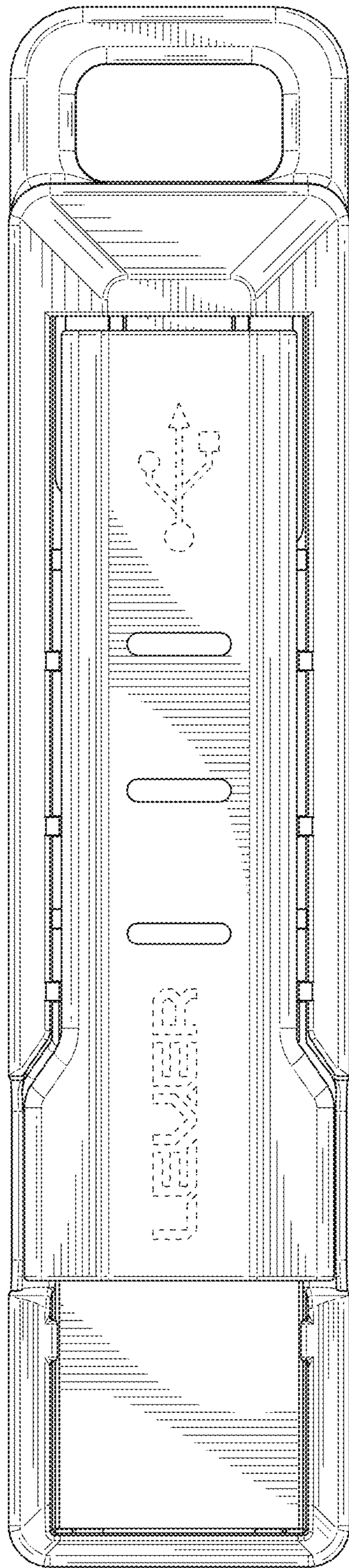


FIG. 4

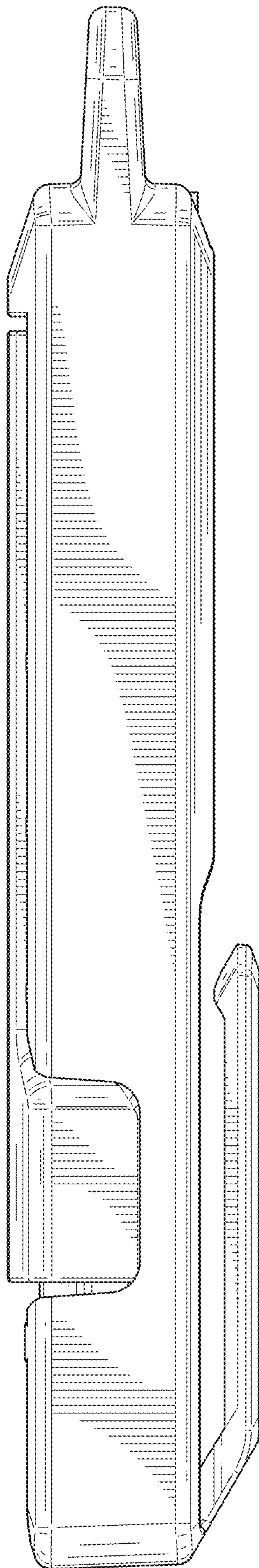


FIG. 5

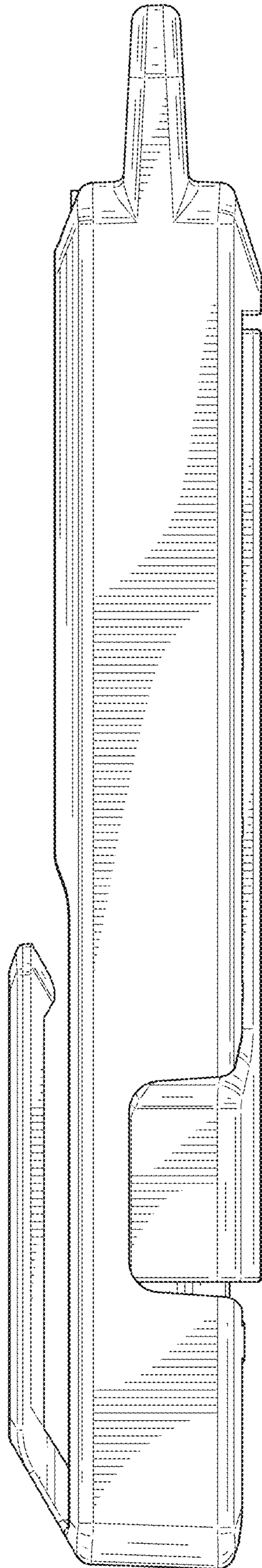


FIG. 6

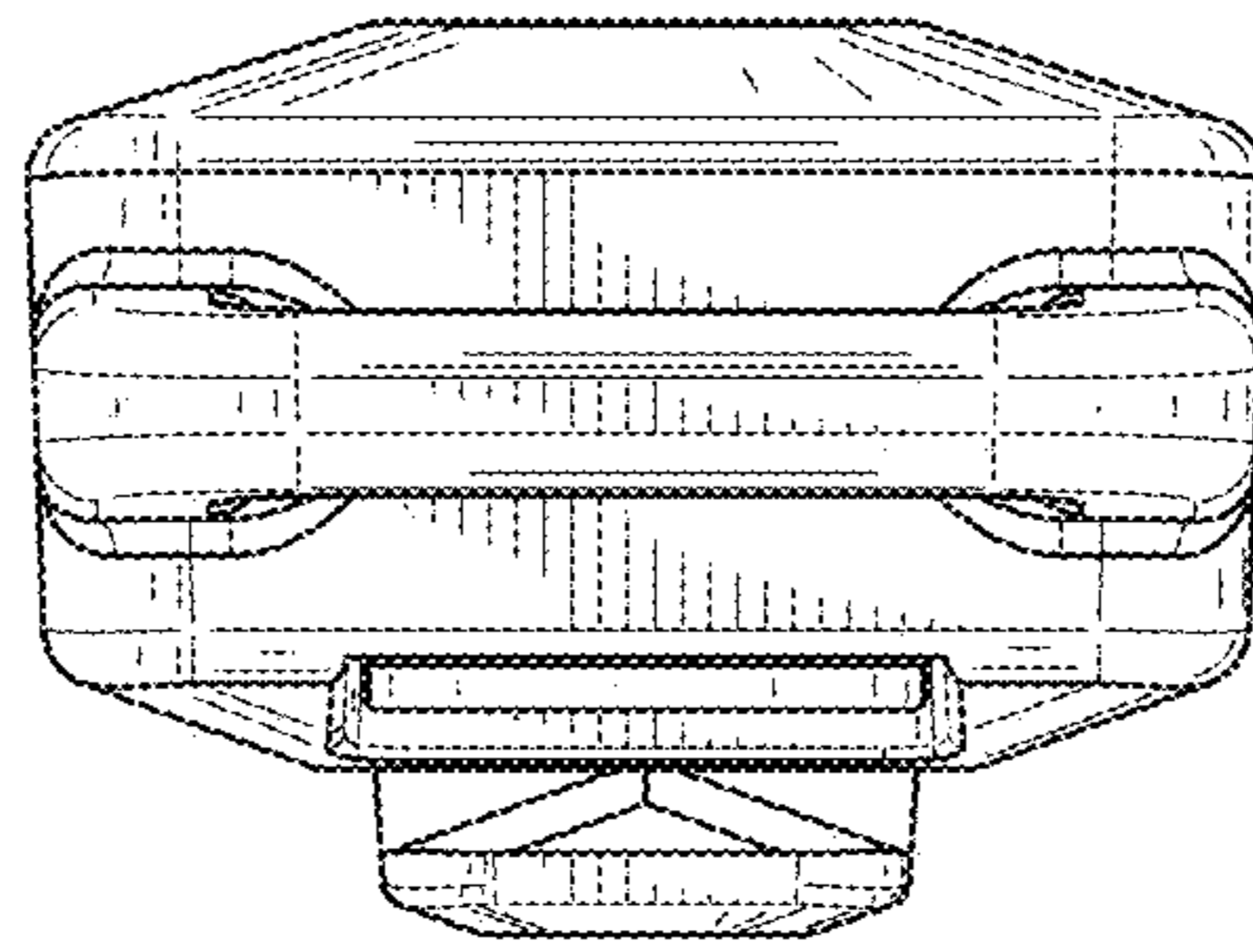


FIG. 7

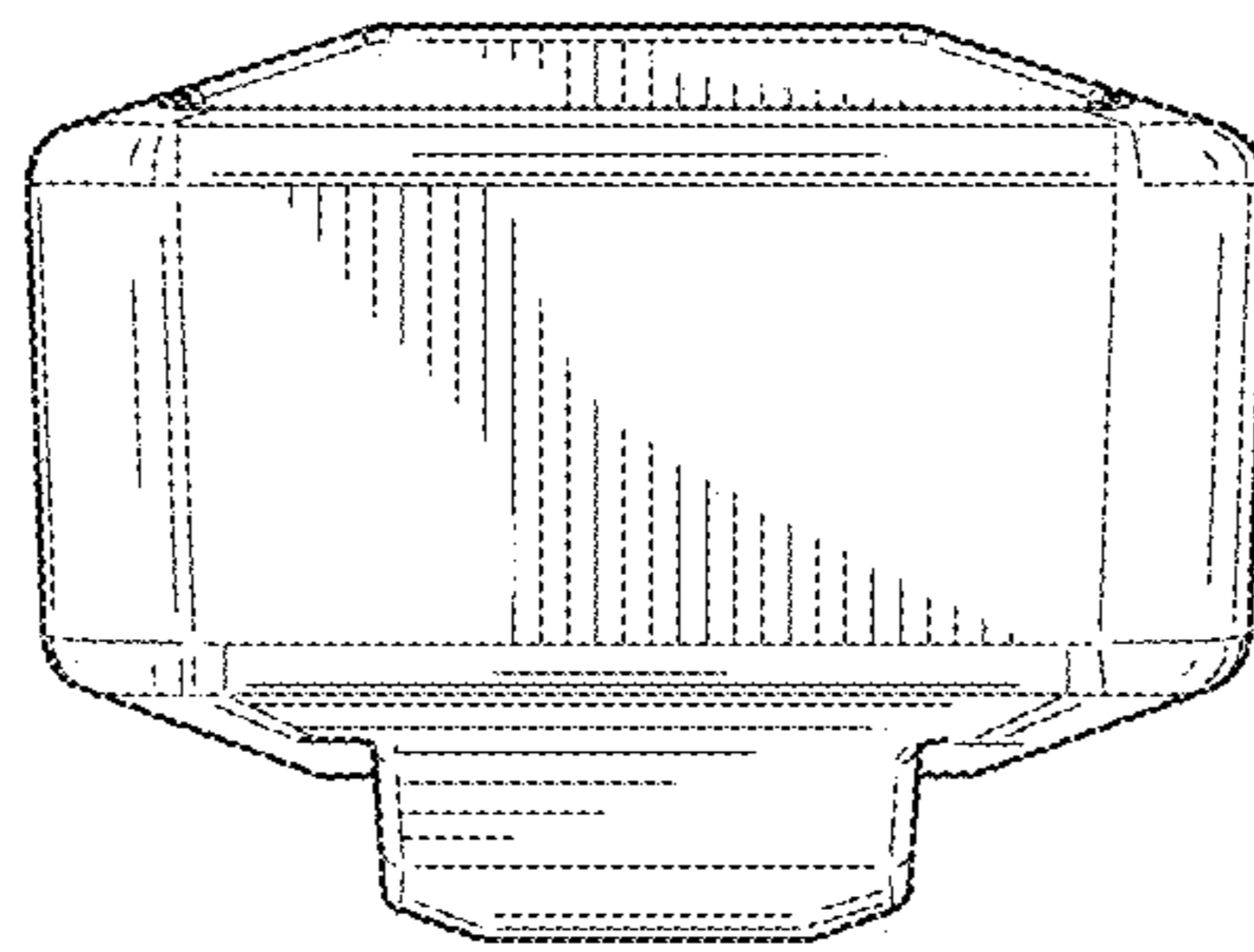


FIG. 8