



US00D932442S

(12) **United States Design Patent** (10) **Patent No.:** **US D932,442 S**
Rajasekaran (45) **Date of Patent:** **** Oct. 5, 2021**

(54) **SURGE PROTECTOR**
(71) Applicant: **E. MISHAN & SONS, INC.**, New York, NY (US)
(72) Inventor: **Mohan Rajasekaran**, Briston, CT (US)
(73) Assignee: **E. MISHAN & SONS, INC.**, New York, NY (US)
(**) Term: **15 Years**

7,575,436 B1 8/2009 Devlin et al.
7,601,023 B1 10/2009 Ma et al.
7,632,119 B1 12/2009 Ma et al.
7,658,625 B2 2/2010 Jubelirer et al.
7,946,868 B1 5/2011 Chen
(Continued)

FOREIGN PATENT DOCUMENTS

EM 004174662-0001 8/2017
EM 004665990-0009 1/2018
(Continued)

(21) Appl. No.: **29/754,903**
(22) Filed: **Oct. 15, 2020**
(51) **LOC (13) Cl.** **13-03**
(52) **U.S. Cl.**
USPC **D13/137.2**
(58) **Field of Classification Search**
USPC D13/137.1–137.4, 138.1, 138.2,
D13/139.1–139.8, 110
CPC H01R 31/065; H01R 35/04
See application file for complete search history.

OTHER PUBLICATIONS

“Bell+Howell . . . ” reference dated Apr. 5, 2021 found on the internet at: <https://www.walmart.com/ip/Bell-Howell-Swivel-Power-Surge-Protector-Electric-Charging-Station-6-Outlets-3-USB-Ports-180-Degrees-Rotation-Quick-9-Devices-One/542630730>.*

Primary Examiner — Rhea Shields
(74) *Attorney, Agent, or Firm* — Notaro, Michalos & Zaccaria P.C.

(56) **References Cited**

U.S. PATENT DOCUMENTS

2,459,032 A 1/1949 Korth
4,583,798 A 4/1986 Blazowich
4,743,999 A 5/1988 Hames
5,352,122 A 10/1994 Speyer
D401,555 S 11/1998 Tam
6,068,490 A 5/2000 Salzberg
6,364,716 B1 4/2002 Seo
D467,873 S 12/2002 Yu
6,821,134 B2 11/2004 Chen
6,893,297 B2 5/2005 Chen
D512,963 S 12/2005 Lee
D514,067 S 1/2006 Lee
7,125,257 B1 10/2006 Liang
7,255,568 B1 8/2007 Wu
7,381,059 B2 6/2008 Wong
7,435,091 B1 10/2008 Cruz
7,462,074 B1 12/2008 Devlin et al.
D588,065 S 3/2009 Wadsworth et al.

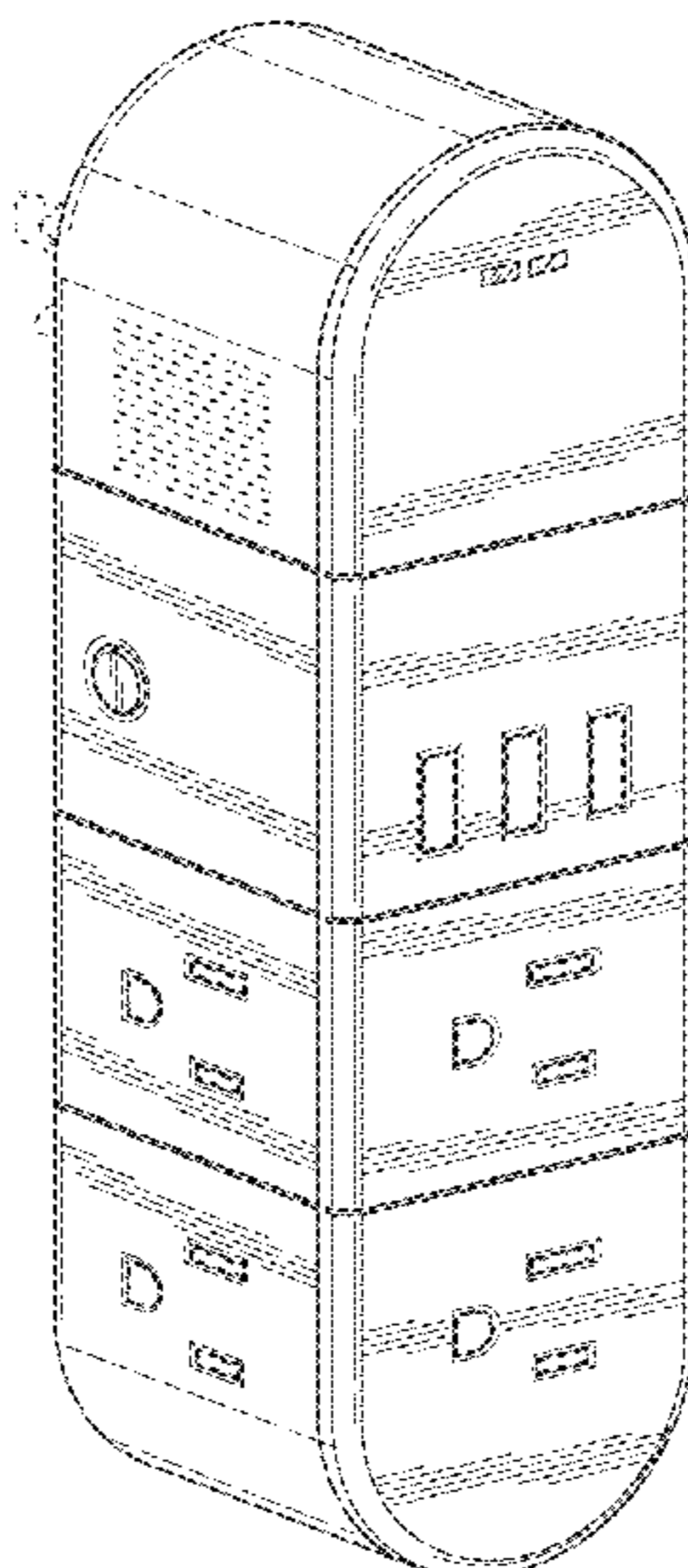
(57) **CLAIM**

The ornamental design for a surge protector, as shown and described.

DESCRIPTION

FIG. 1 is a right, front perspective view of the surge protector, showing my new design;
FIG. 2 is a front view thereof;
FIG. 3 is a rear view thereof;
FIG. 4 is left side elevational view thereof;
FIG. 5 is a right side elevational view thereof;
FIG. 6 is a top plan view thereof; and,
FIG. 7 is a bottom plan view thereof.
In the drawings, the broken lines are for the purpose of illustrating portions of the surge protector that form no part of the claimed design.

1 Claim, 6 Drawing Sheets



(56)

References Cited

U.S. PATENT DOCUMENTS

D642,529 S 8/2011 Su et al.
 8,011,930 B2 9/2011 Lee et al.
 8,096,817 B2 1/2012 Lee et al.
 8,123,528 B2 2/2012 Devlin et al.
 8,142,199 B1 * 3/2012 Almouli H01R 35/04
 439/10
 8,167,622 B2 5/2012 Zhou
 8,197,260 B2 6/2012 Wadsworth
 D664,918 S 8/2012 Brandys
 8,287,284 B1 10/2012 Nishizawa
 D686,988 S 6/2013 Fawkes
 8,469,730 B2 * 6/2013 Garb H01R 31/065
 439/173
 8,512,056 B2 8/2013 Wen et al.
 8,686,683 B2 4/2014 Caskey et al.
 8,747,119 B2 6/2014 Hsu
 8,876,541 B1 11/2014 Wu
 8,905,764 B2 12/2014 Cheng
 8,920,177 B1 12/2014 Hsiao
 9,106,037 B2 8/2015 Lee et al.
 D740,228 S 10/2015 Page et al.
 9,276,366 B1 3/2016 Flores
 D775,077 S 12/2016 Xu
 9,660,391 B1 5/2017 Kim et al.
 D801,276 S 10/2017 Lin
 D807,827 S 1/2018 Lu
 D820,212 S 6/2018 Stern
 D825,458 S 8/2018 Nauroy
 D832,215 S 10/2018 Xu
 D835,035 S 12/2018 Nauroy
 D845,900 S * 4/2019 Liu D13/137.2
 D851,597 S * 6/2019 Ding D13/137.2
 D852,138 S * 6/2019 Wen D13/137.1
 D852,139 S 6/2019 Wen et al.

D852,140 S 6/2019 Chen
 D861,613 S * 10/2019 Dai D13/137.2
 D862,388 S 10/2019 Qiu
 D867,996 S * 11/2019 Chen D13/137.2
 D869,398 S * 12/2019 Wang D13/137.3
 D872,695 S * 1/2020 Bo D13/137.2
 D878,300 S 3/2020 Lyu
 D885,337 S 5/2020 Xu
 D886,064 S * 6/2020 Chen D13/139.8
 D894,837 S * 9/2020 Chen D13/139.7
 D911,969 S * 3/2021 Canizares D13/137.2
 D919,576 S * 5/2021 Chen D13/137.1
 D923,576 S * 6/2021 Lyu D13/137.2
 D924,805 S * 7/2021 Luo D13/137.2
 2009/0225486 A1 9/2009 Wadsworth
 2020/0194924 A1 6/2020 Yang et al.

FOREIGN PATENT DOCUMENTS

EM 004665990-0010 1/2018
 EM 005506573-0001 7/2018
 EM 005506573-0002 7/2018
 EM 006610739-0001 7/2019
 EM 006846614-0001 9/2019
 EM 006846614-0002 9/2019
 EM 007326889-0001 12/2019
 EM 007507108-0001 1/2020
 EM 008168819-0001 9/2020
 EM 008277396-0006 11/2020
 EM 008277396-0007 11/2020
 EM 008304638-0001 12/2020
 EM 008417232-0002 12/2020
 EM 008417232-0003 1/2021
 EM 008417232-0004 1/2021
 EM 008417232-0005 1/2021
 EM 008421028-0001 1/2021

* cited by examiner

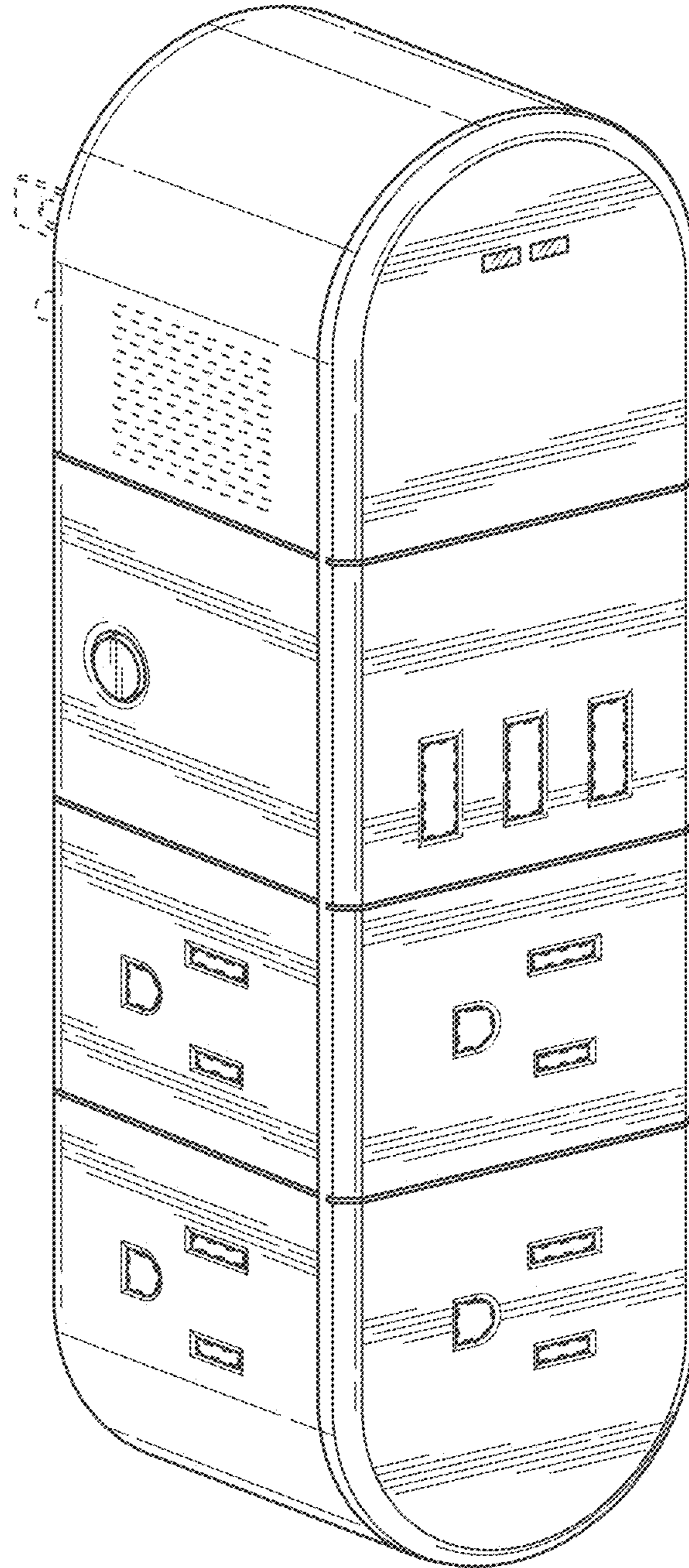


FIG. 1

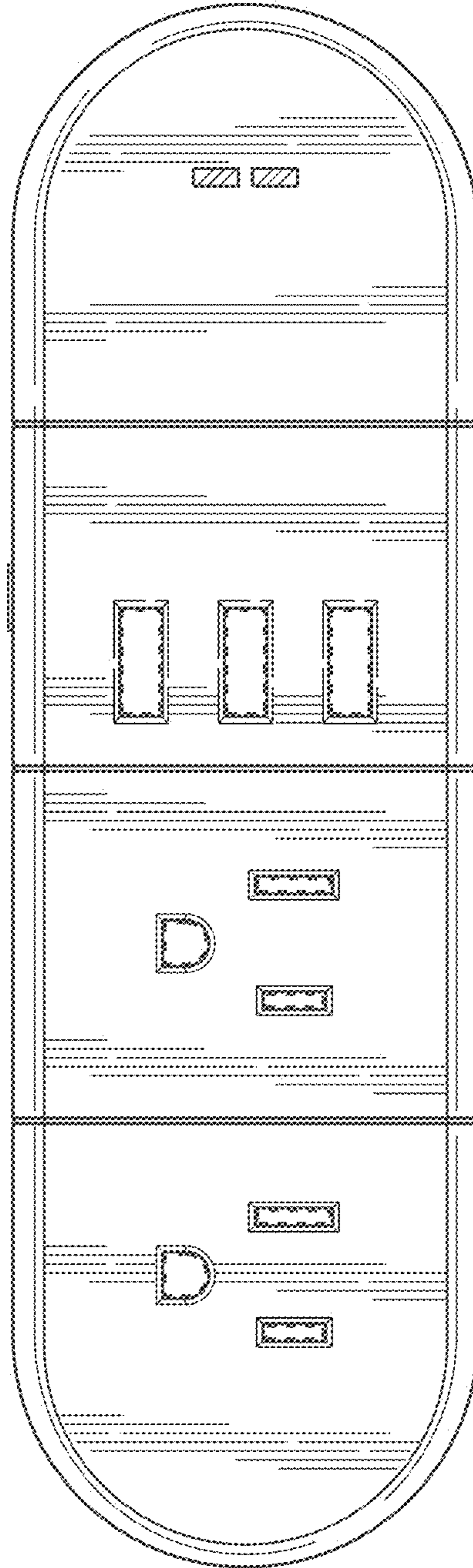


FIG. 2

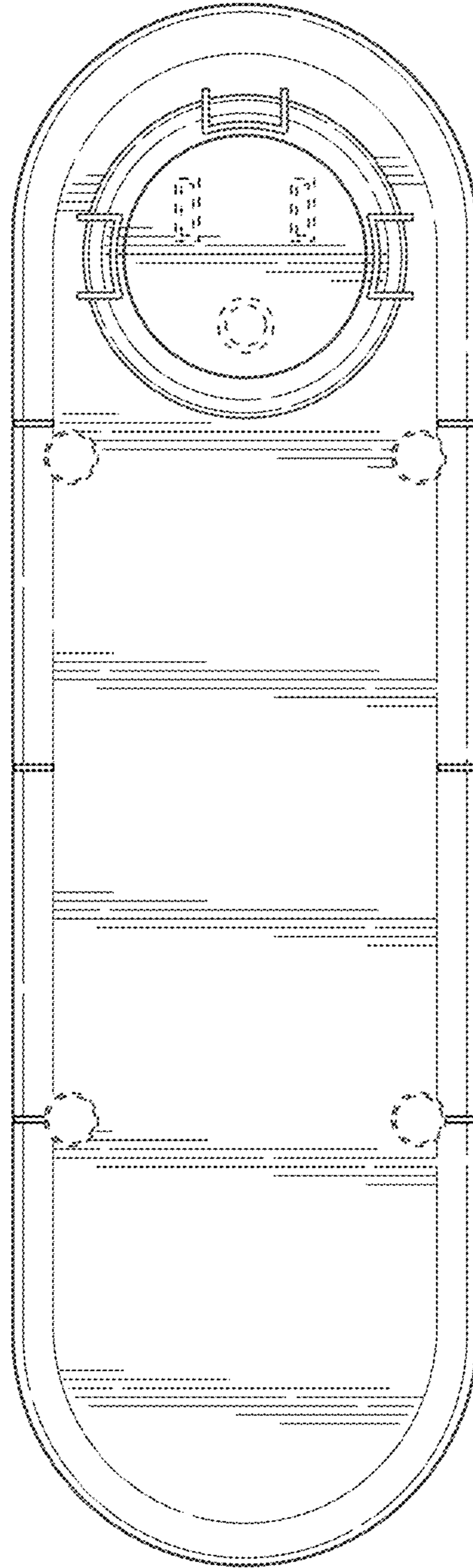


FIG. 3

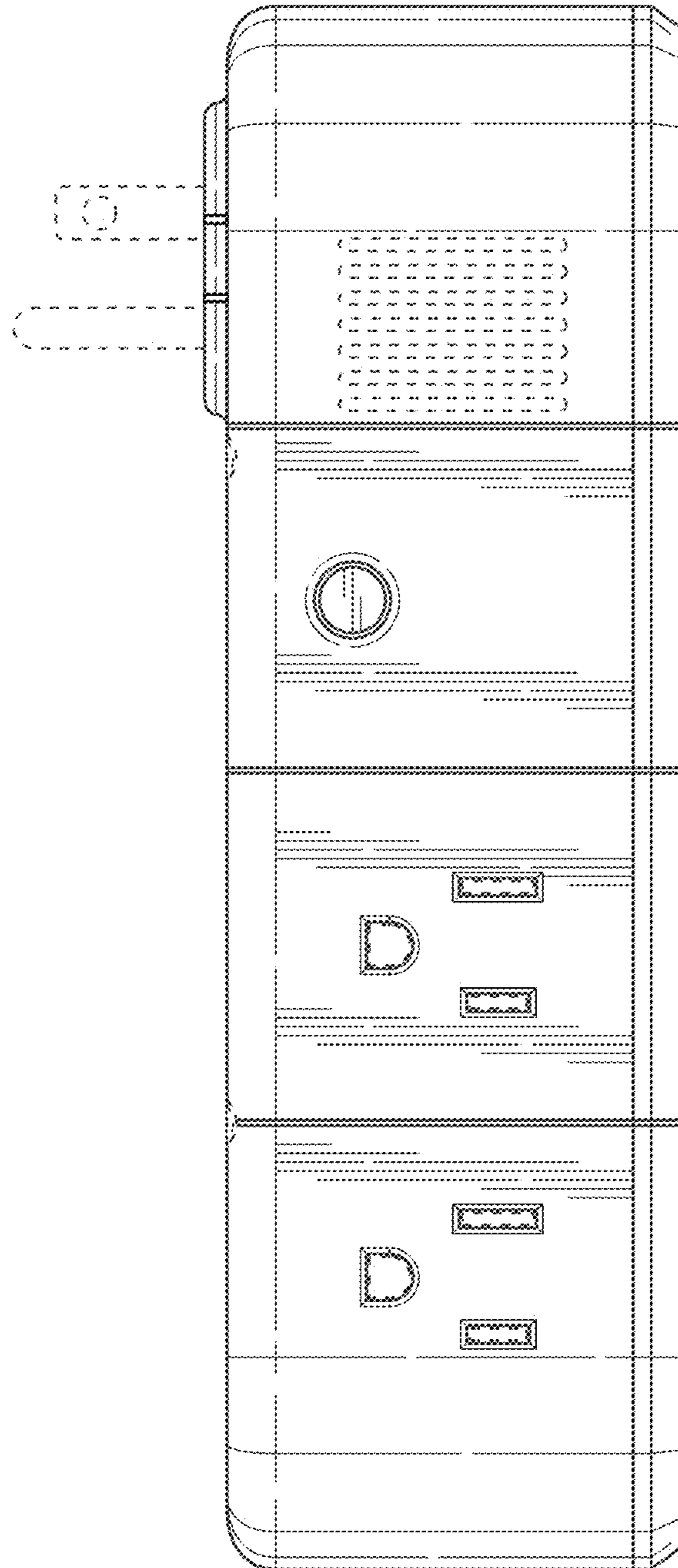


FIG. 4

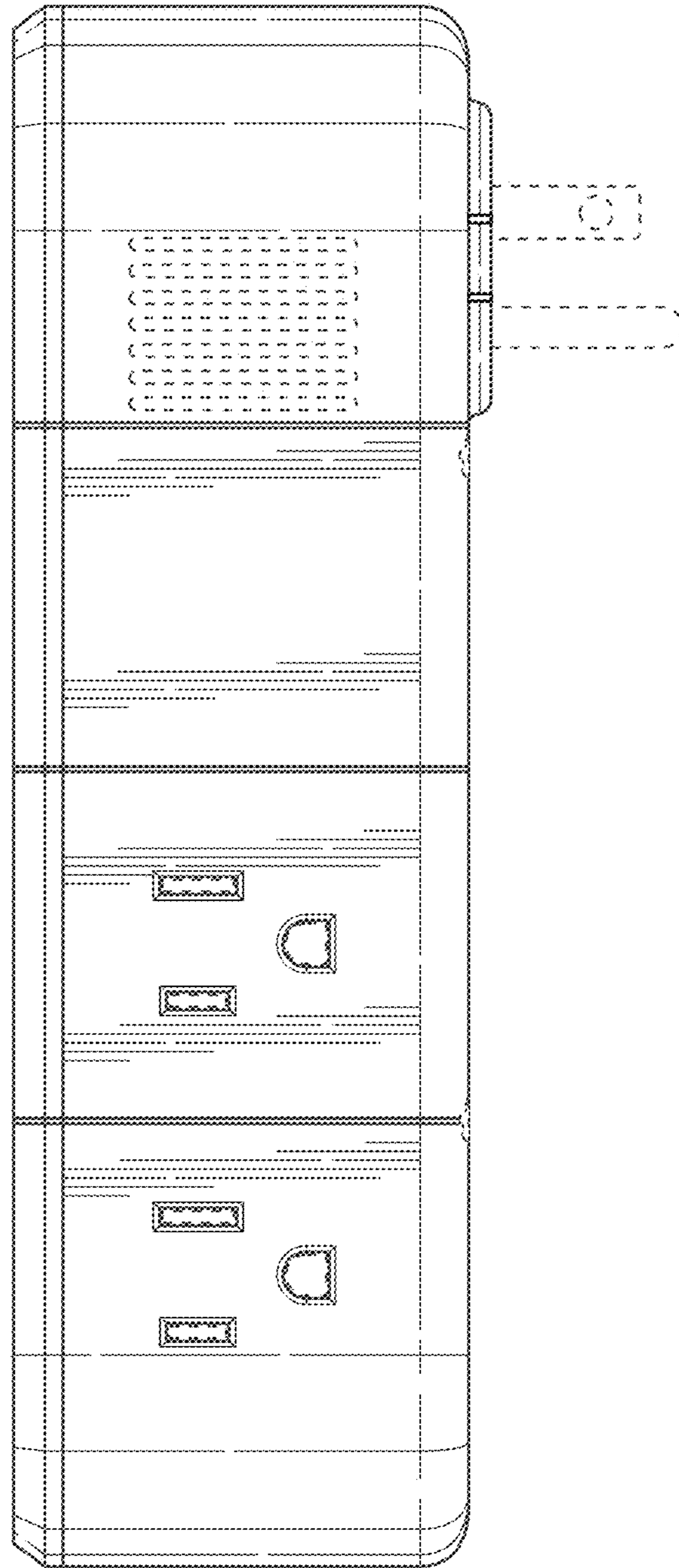


FIG. 5

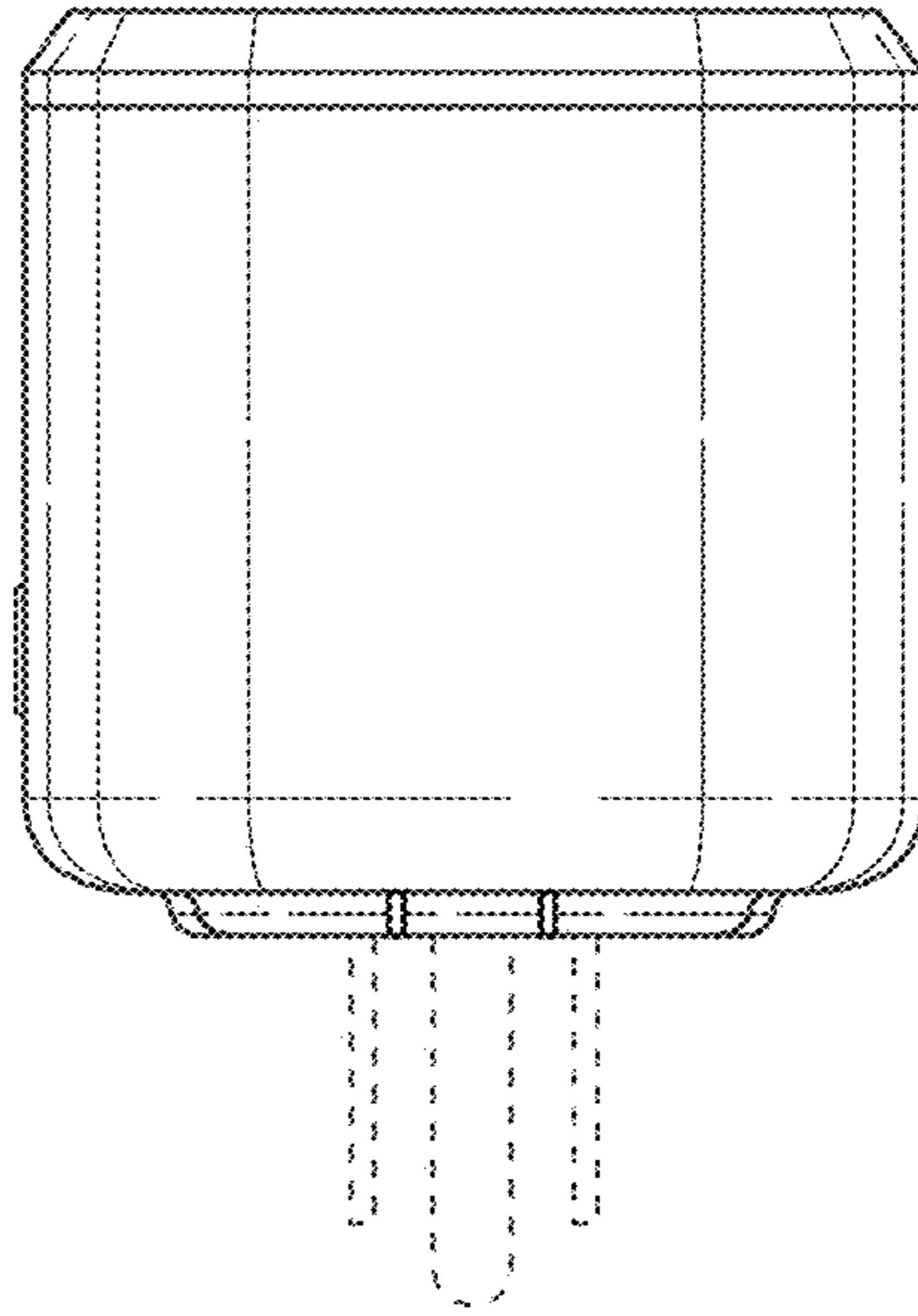


FIG. 6

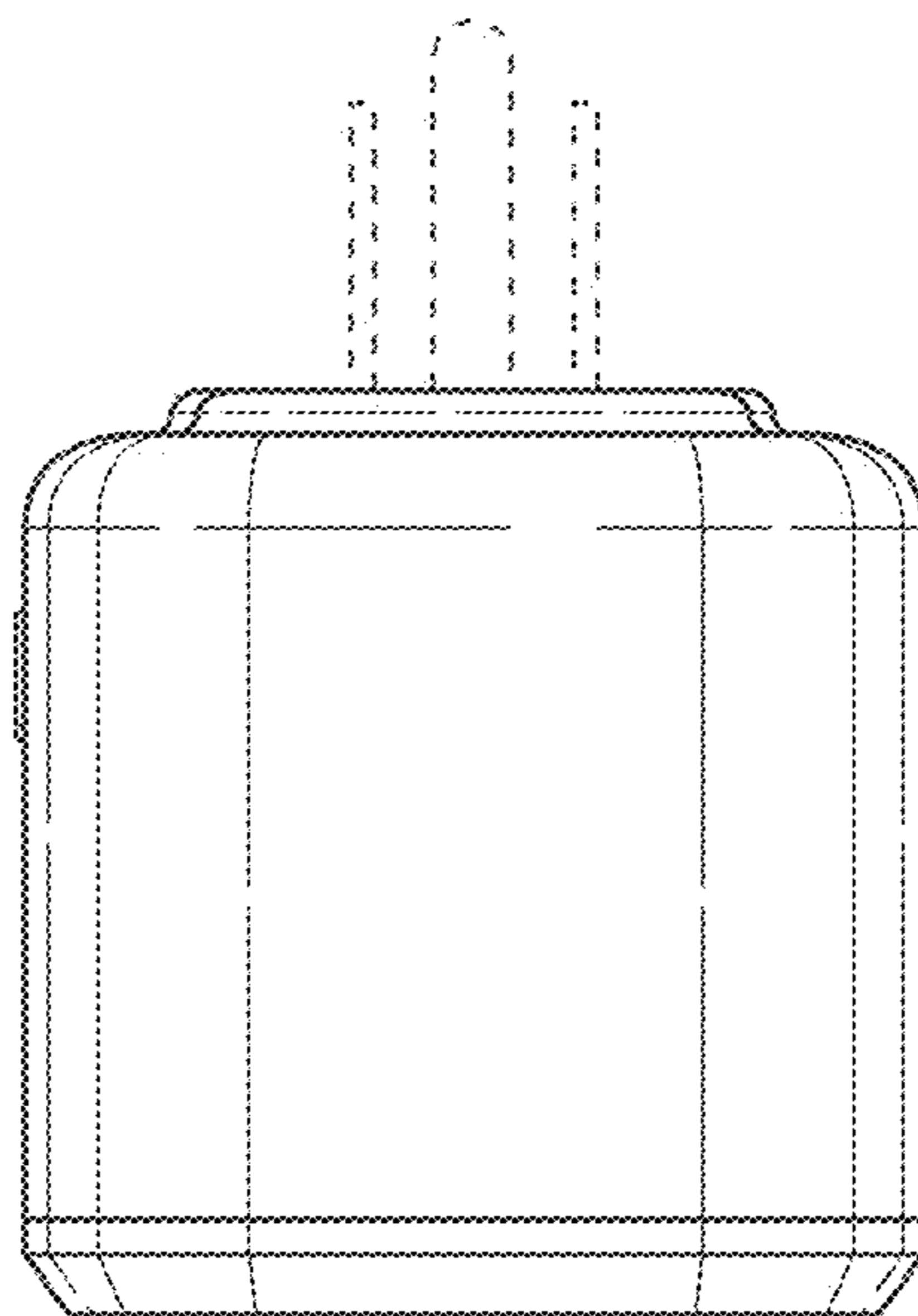


FIG. 7