

US00D932439S

(12) **United States Design Patent** (10) **Patent No.:** **US D932,439 S**
Baker (45) **Date of Patent:** **** Oct. 5, 2021**

- (54) **BATTERY CELL SPACER**
- (71) Applicant: **Silgan Containers LLC**, Woodland Hills, CA (US)
- (72) Inventor: **Gerald James Baker**, Wauwatosa, WI (US)
- (73) Assignee: **Silgan Containers LLC**, Woodland Hills, CA (US)
- (**) Term: **15 Years**
- (21) Appl. No.: **29/767,713**
- (22) Filed: **Jan. 25, 2021**

D409,560 S	5/1999	Shim	
D532,372 S *	11/2006	Keating	D13/108
D535,945 S	1/2007	Towler	
D543,143 S *	5/2007	Hamaguchi	D13/103
D623,589 S *	9/2010	Tarter	D13/103
D664,092 S	7/2012	Gea Suarez	
D729,162 S *	5/2015	Liu	D13/119
D757,646 S	5/2016	Pearson	
D760,166 S	6/2016	Cooper	
D762,564 S *	8/2016	Patton	D13/103
D762,758 S *	8/2016	Langone	D15/148
2011/0003186 A1	1/2011	Liu	
2018/0138464 A1	5/2018	Brechling et al.	

* cited by examiner

Primary Examiner — Derrick E Holland
(74) *Attorney, Agent, or Firm* — Reinhart Boerner Van Deuren s.c.

Related U.S. Application Data

- (63) Continuation of application No. 29/674,337, filed on Dec. 20, 2018, now Pat. No. Des. 908,626.
- (51) **LOC (13) Cl.** **13-02**
- (52) **U.S. Cl.**
USPC **D13/119**
- (58) **Field of Classification Search**
USPC D13/103, 107, 108, 118, 119, 184, 199;
D9/767, 772, 776
CPC H01M 2/02; H01M 2/022; H01M 2/0277;
H01M 2/1022; H01M 2/1055; H01M
2/105; H01M 2/364; H01M 10/0587
See application file for complete search history.

(56) **References Cited**

U.S. PATENT DOCUMENTS

2,831,948 A 4/1958 Fraser
5,070,597 A 12/1991 Holt et al.

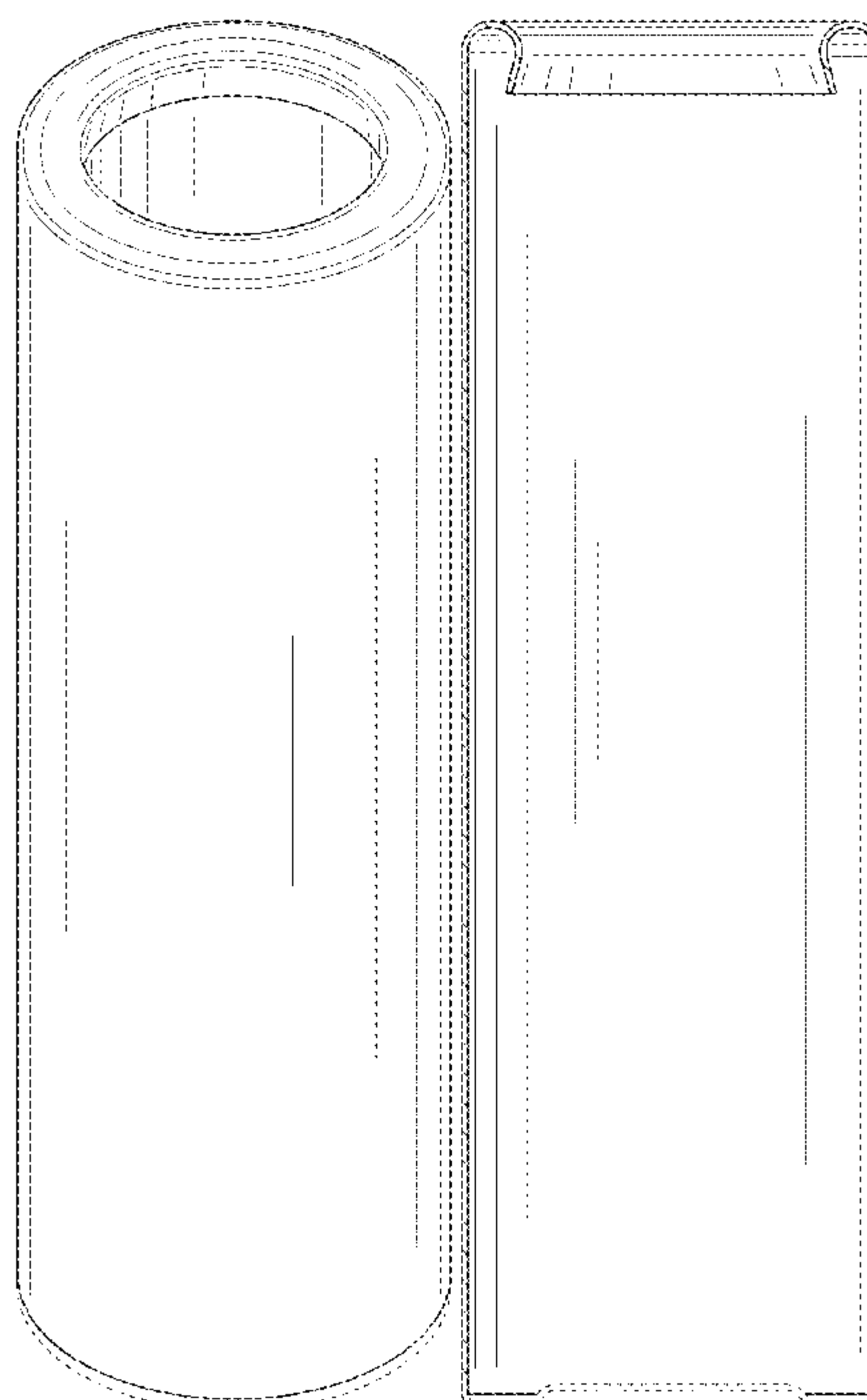
(57) **CLAIM**

I claim the ornamental design for a battery cell spacer, as shown and described.

DESCRIPTION

FIG. 1 is a perspective view of a battery cell spacer;
FIG. 2 is a side view of FIG. 1;
FIG. 3 is a top view of FIG. 1;
FIG. 4 is a bottom view of FIG. 1;
FIG. 5 is a cross-sectional view taken along line 5-5 of FIG. 2;
FIG. 6 is a cross-sectional view taken along line 6-6 of FIG. 2; and,
FIG. 7 is a cross-sectional view taken along line 7-7 of FIG. 2.
The broken lines shown represent portions of the battery cell spacer that form no part of the claimed design.

1 Claim, 5 Drawing Sheets



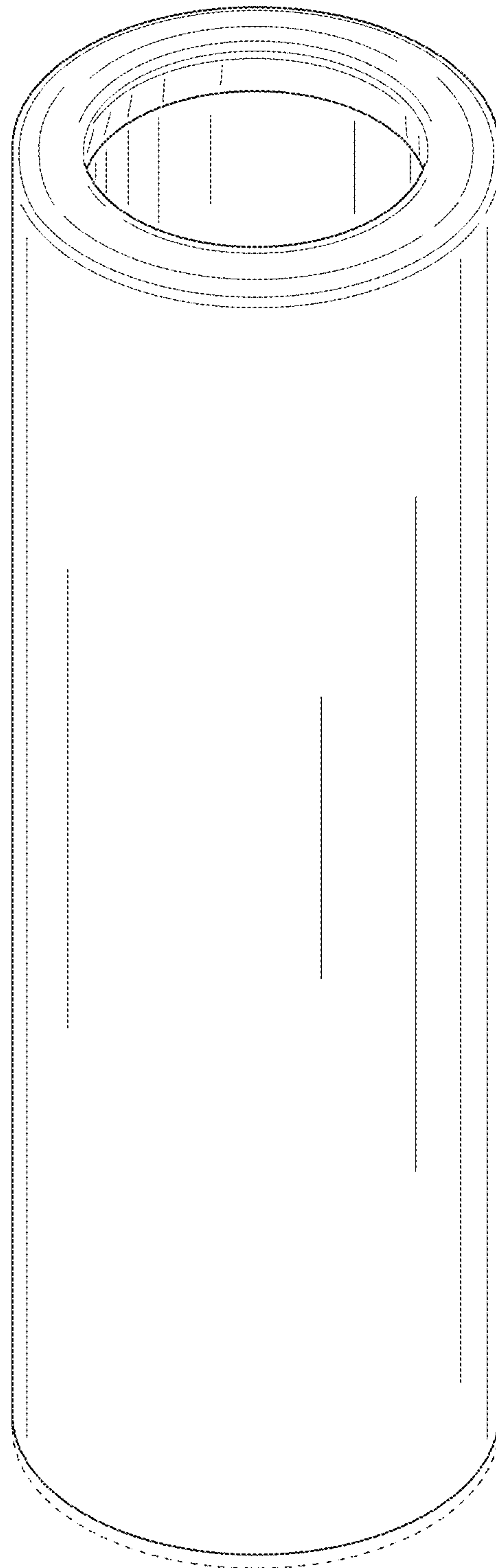


FIG. 1

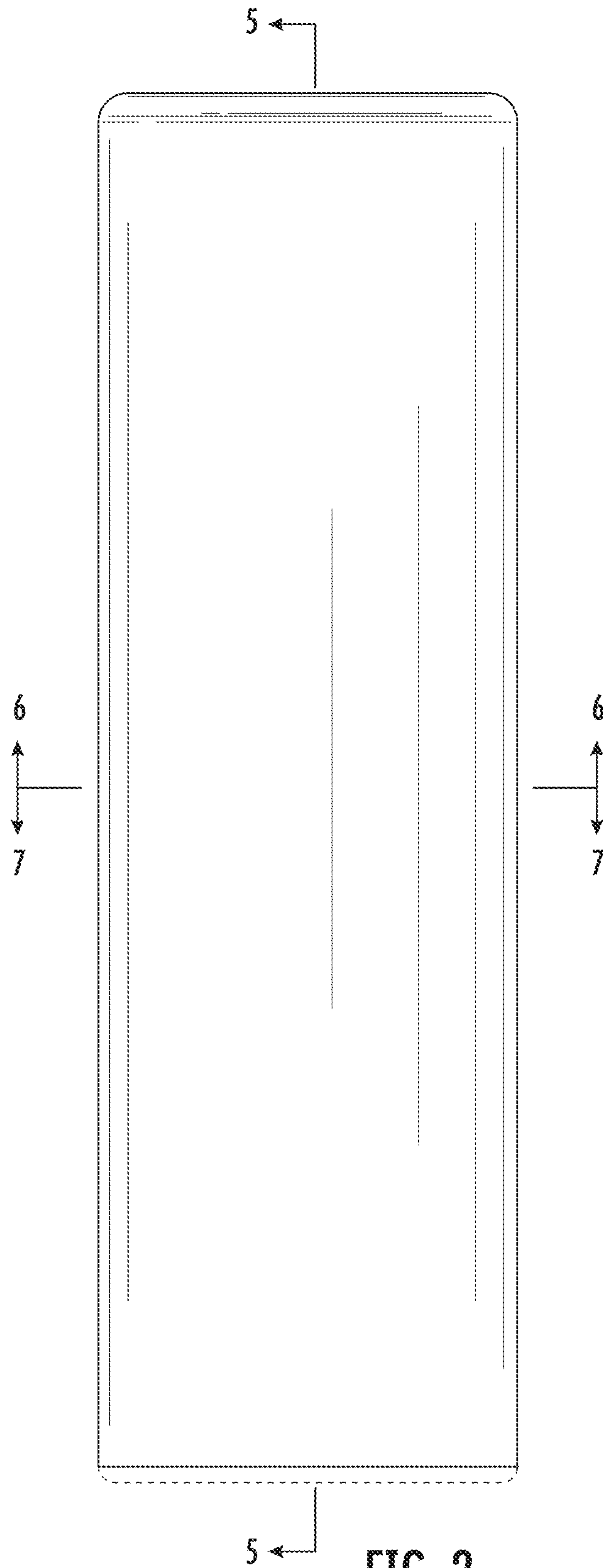


FIG. 2

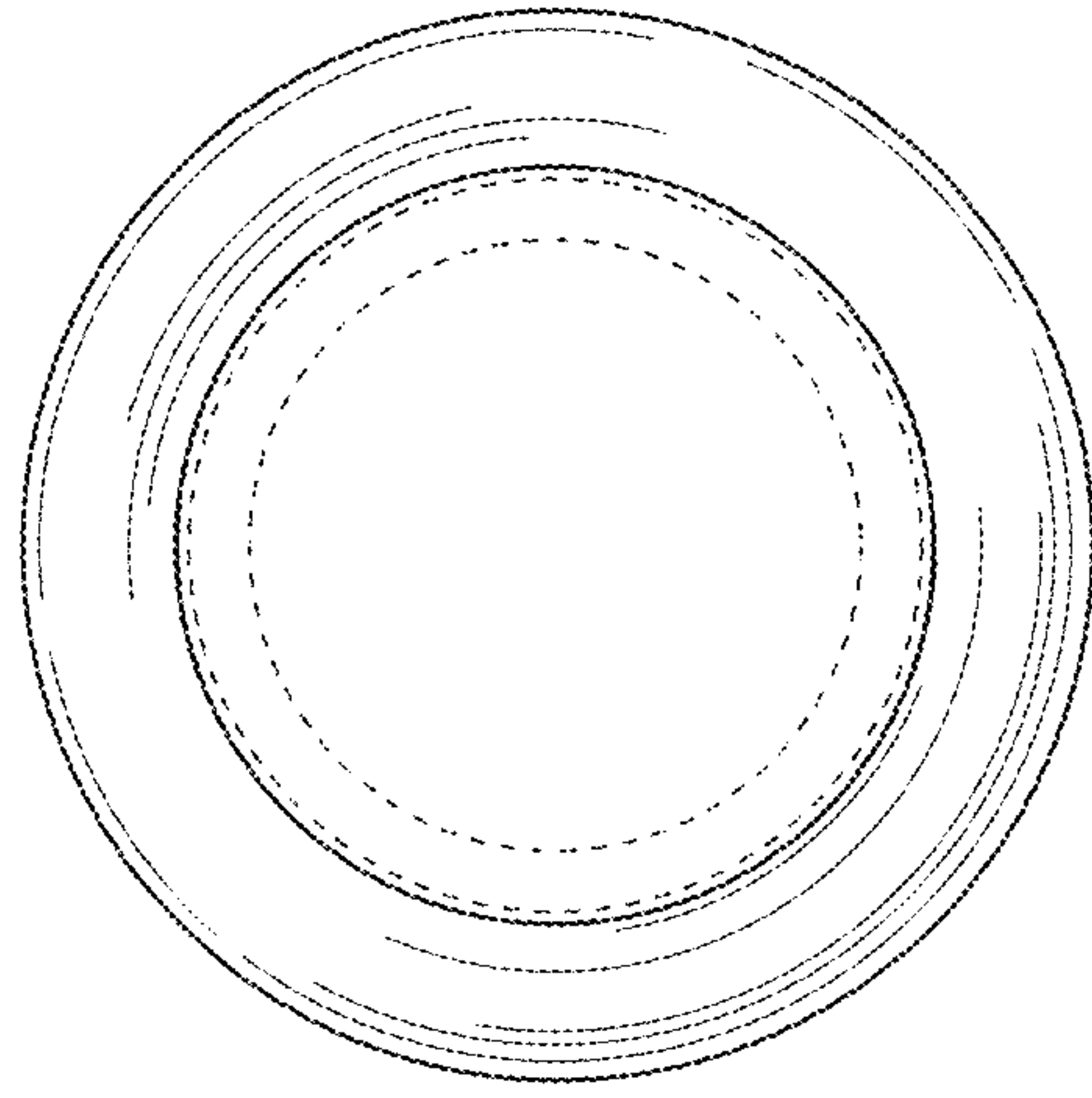


FIG. 3

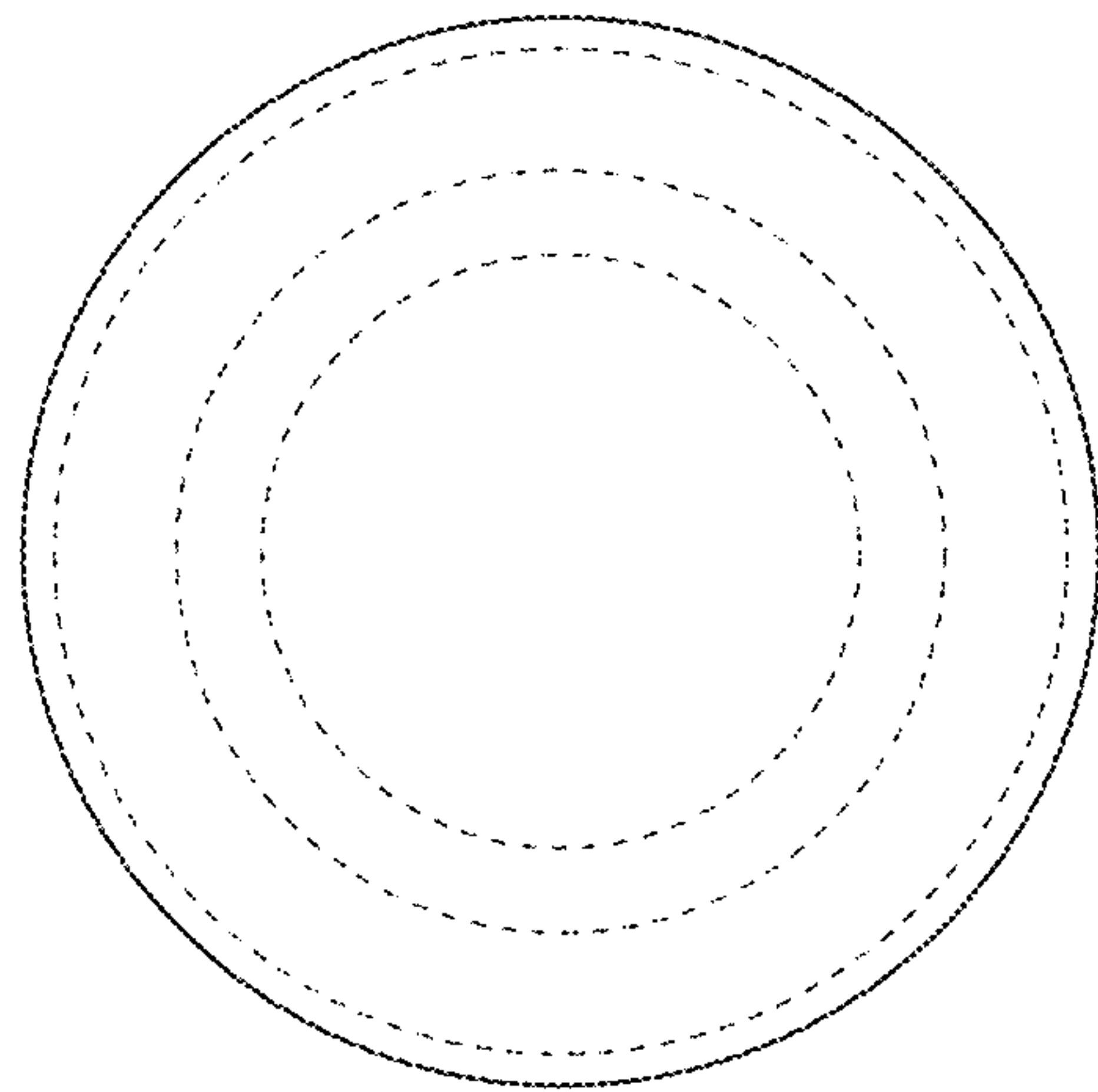


FIG. 4

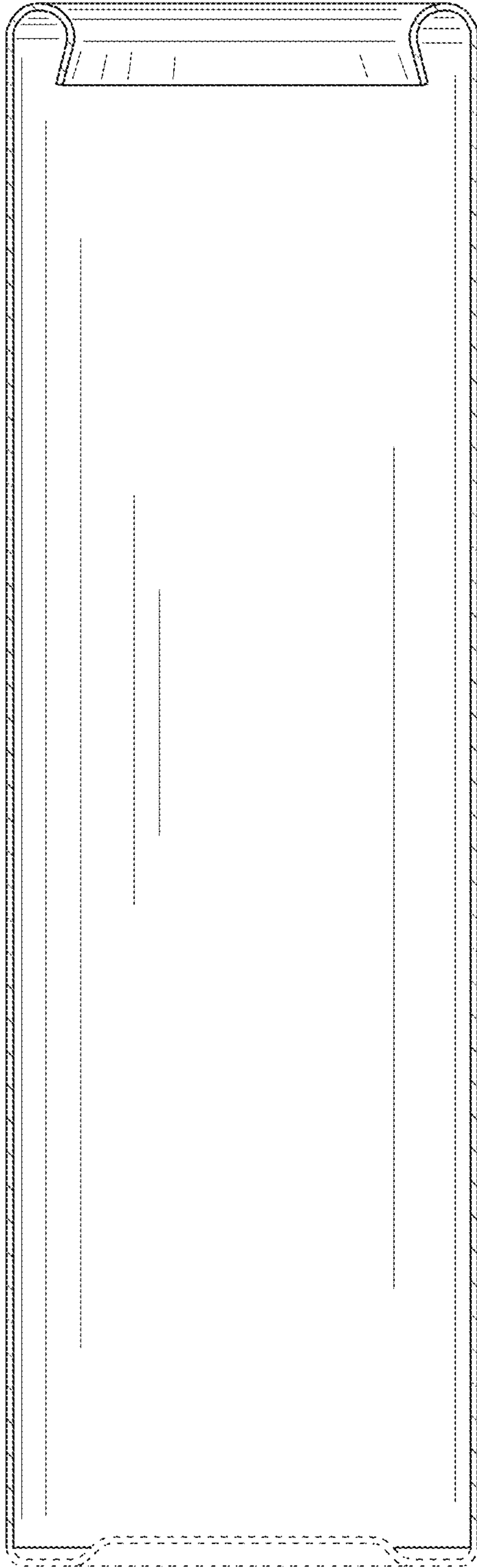


FIG. 5

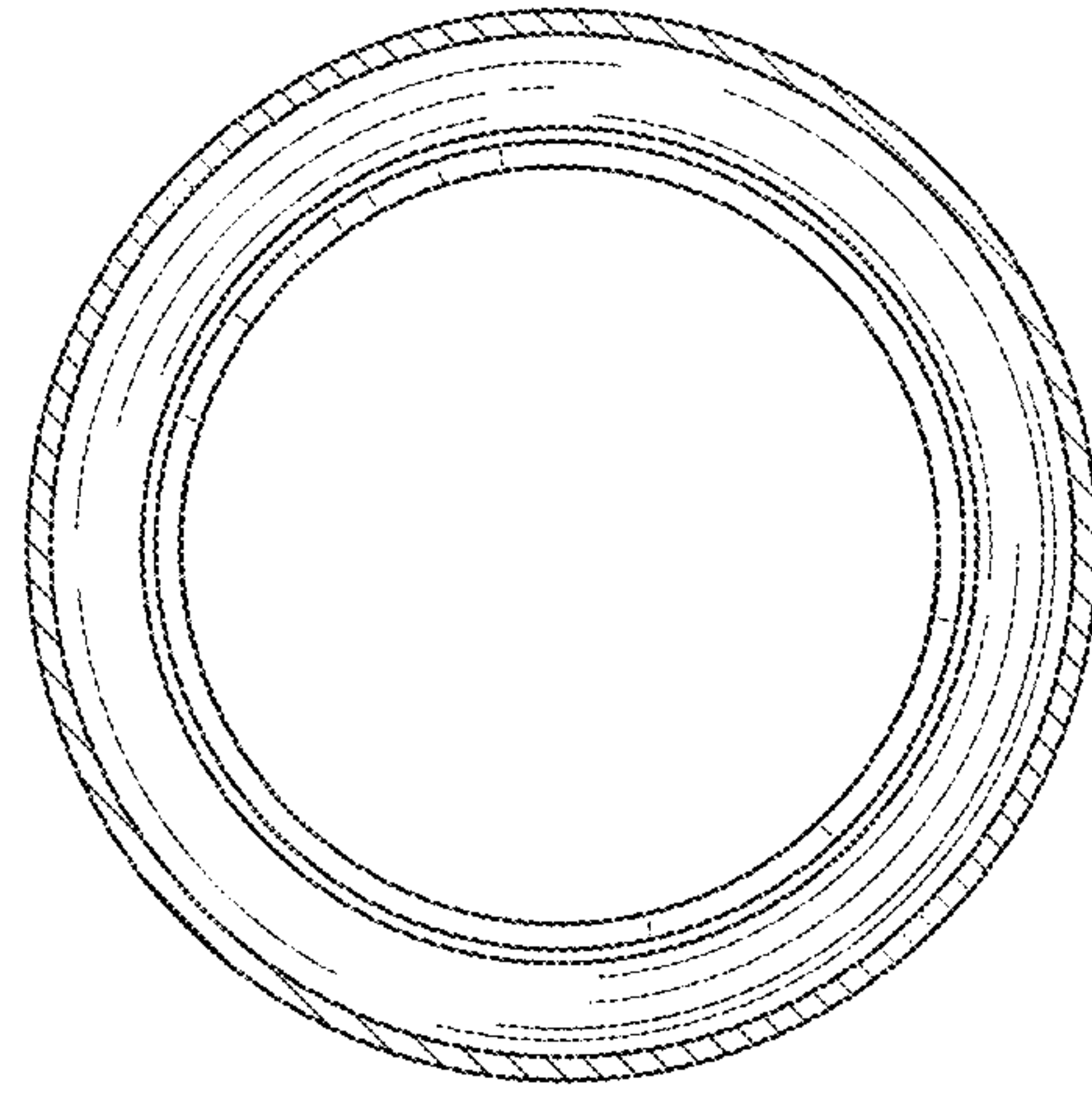


FIG. 6

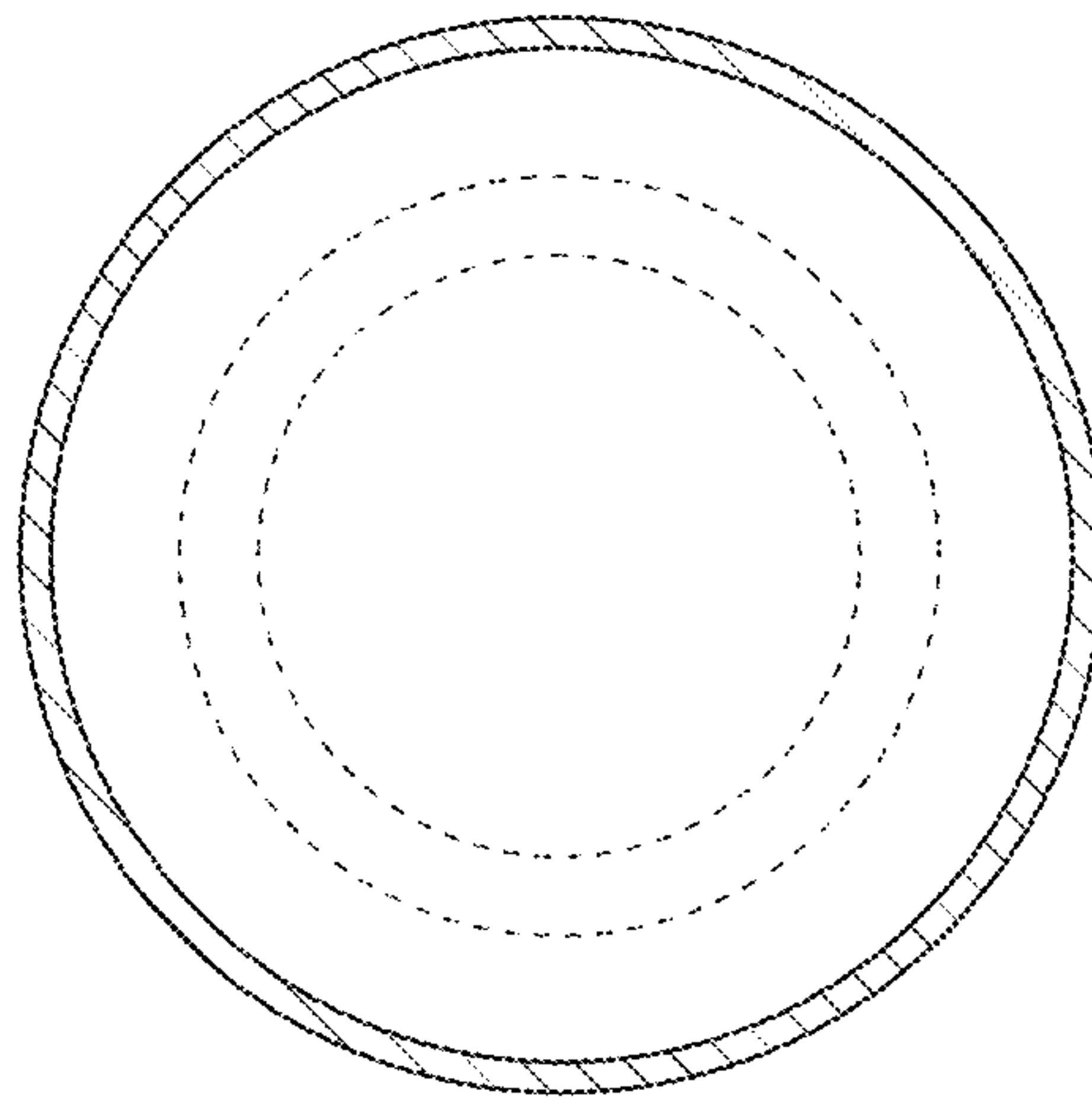


FIG. 7