



US00D932434S

(12) **United States Design Patent**
Rao

(10) **Patent No.:** **US D932,434 S**

(45) **Date of Patent:** **** Oct. 5, 2021**

(54) **HYDROPOWER MAGNIFYING TURBINE**

(71) Applicant: **Chalasani Veerabhadra Rao**, Andhra Pradesh (IN)

(72) Inventor: **Chalasani Veerabhadra Rao**, Andhra Pradesh (IN)

(**) Term: **15 Years**

(21) Appl. No.: **29/735,980**

(22) Filed: **May 27, 2020**

(30) **Foreign Application Priority Data**

Nov. 29, 2019 (IN) 324145-001

(51) **LOC (13) Cl.** **13-01**

(52) **U.S. Cl.**
USPC **D13/112**

(58) **Field of Classification Search**
USPC D13/112, 101, 113, 114, 115, 122, 184, D13/199; D12/214, 344, 345; D15/5, 7, D15/199; D23/365, 380, 386, 411
CPC .. H02K 3/24; H02K 3/47; Y02E 10/30; Y02E 10/38; F02B 63/04; F03B 13/183; F03B 13/184; F03D 1/0633; F03D 1/04; F03D 1/06

See application file for complete search history.

(56) **References Cited**

U.S. PATENT DOCUMENTS

4,843,249 A * 6/1989 Bussiere F03B 13/184 290/53
D414,191 S * 9/1999 Kim D15/5

D494,192 S * 8/2004 Hirakawa D15/7
D681,552 S * 5/2013 Bentley D13/112
D710,303 S * 8/2014 Liao D13/118
D766,828 S * 9/2016 Yamada D13/112
D815,597 S * 4/2018 Cawthorne D13/112
D836,763 S * 12/2018 Kim D23/365
2007/0090648 A1 * 4/2007 Barksdale F03G 7/10 290/1 R
2015/0028595 A1 * 1/2015 Larsen F03B 13/184 290/53

OTHER PUBLICATIONS

<https://www.amazon.com/Water-Turbine-Generator-Hydroelectric-Charging/dp/B07QL7G3N9> Apr. 12, 2019 (Year: 2019).*

* cited by examiner

Primary Examiner — Derrick E Holland

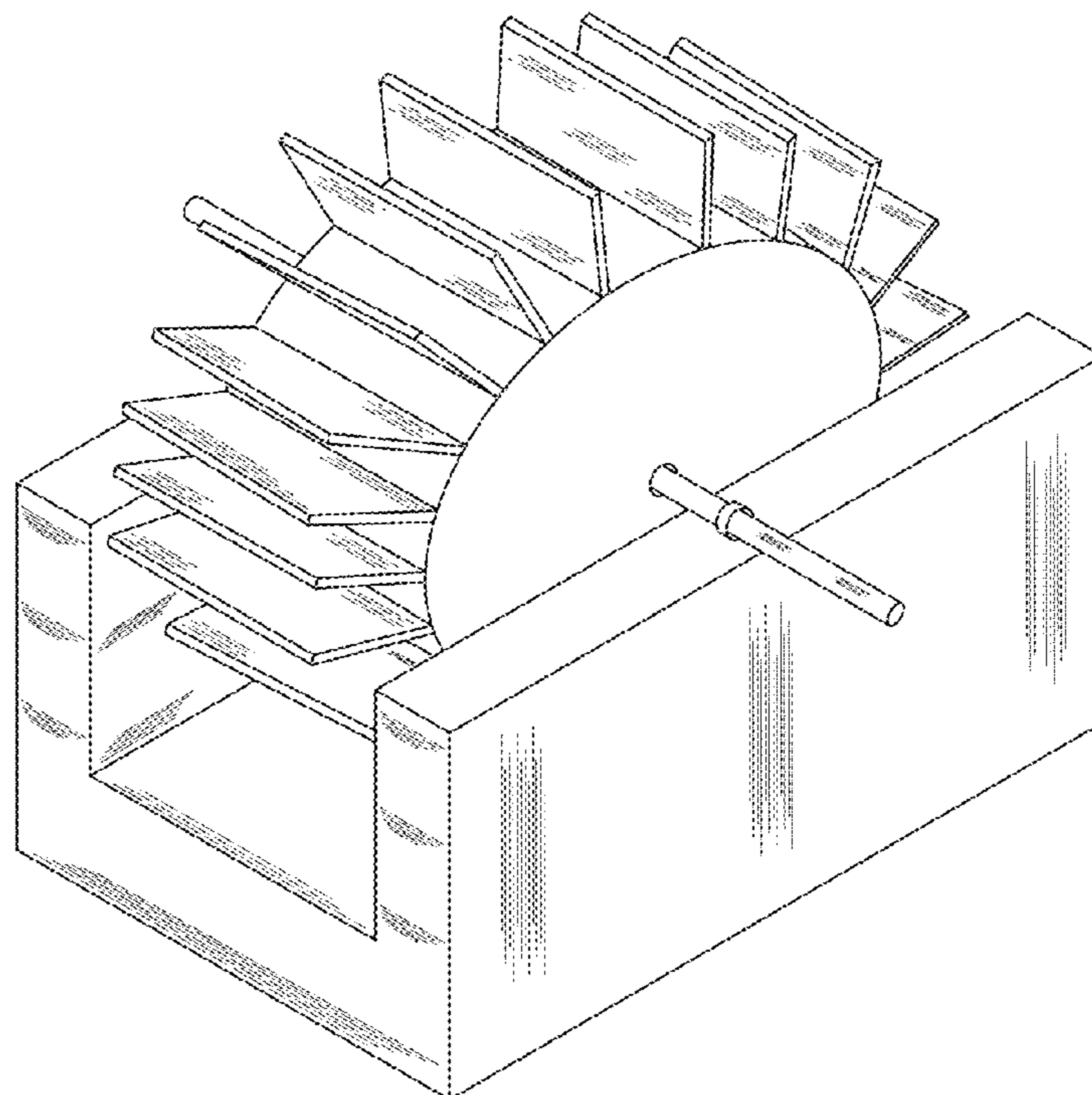
(57) **CLAIM**

The ornamental design for a hydropower magnifying turbine, as shown and described.

DESCRIPTION

FIG. 1 is a top, rear and left side perspective view of a hydropower magnifying turbine showing my new design; FIG. 2 is a front elevational view thereof; FIG. 3 is a rear elevational view thereof; FIG. 4 is a left side view thereof; FIG. 5 is a right side view thereof; and, FIG. 6 is a top plan view thereof.

1 Claim, 6 Drawing Sheets



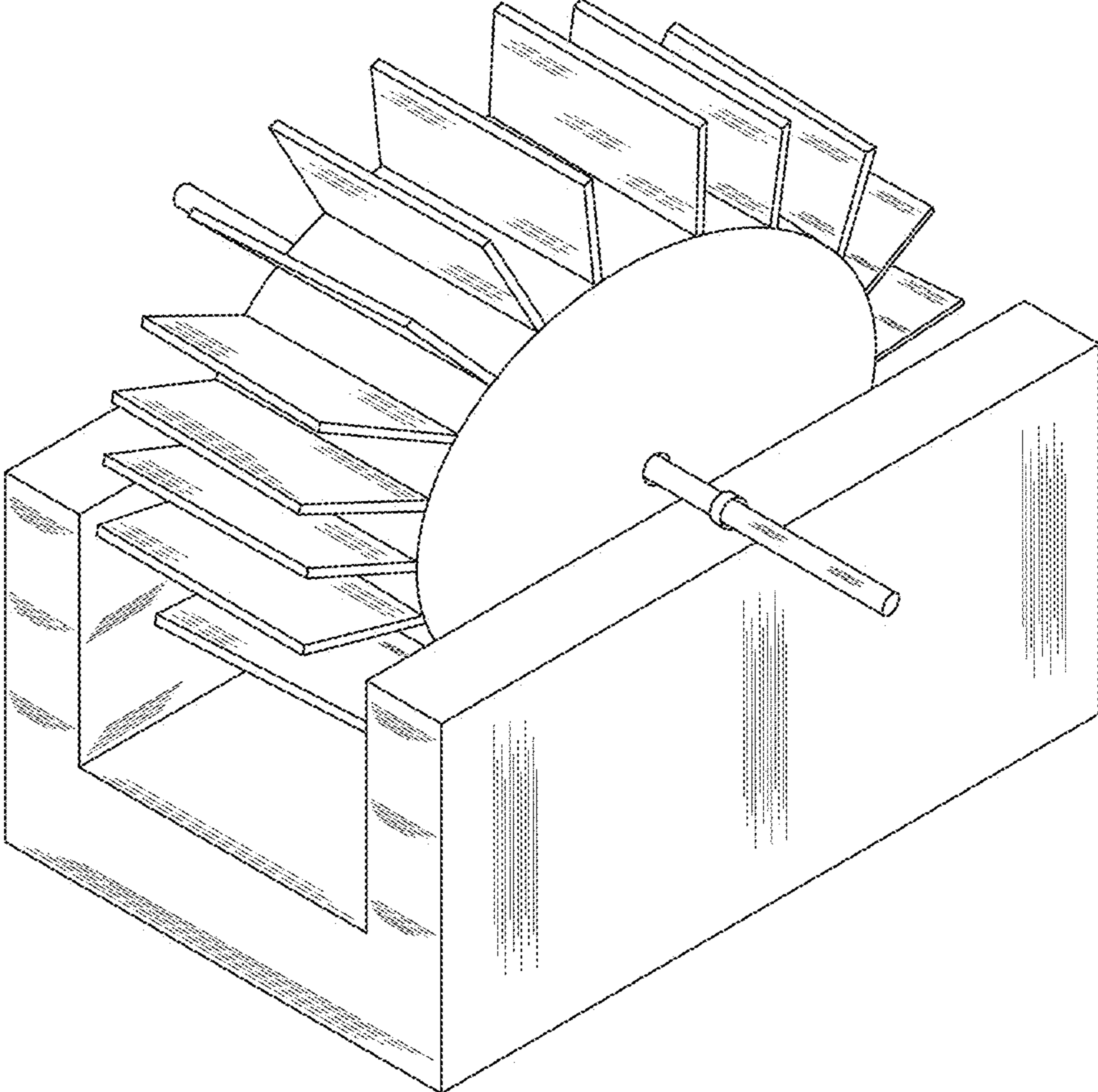


Fig. 1

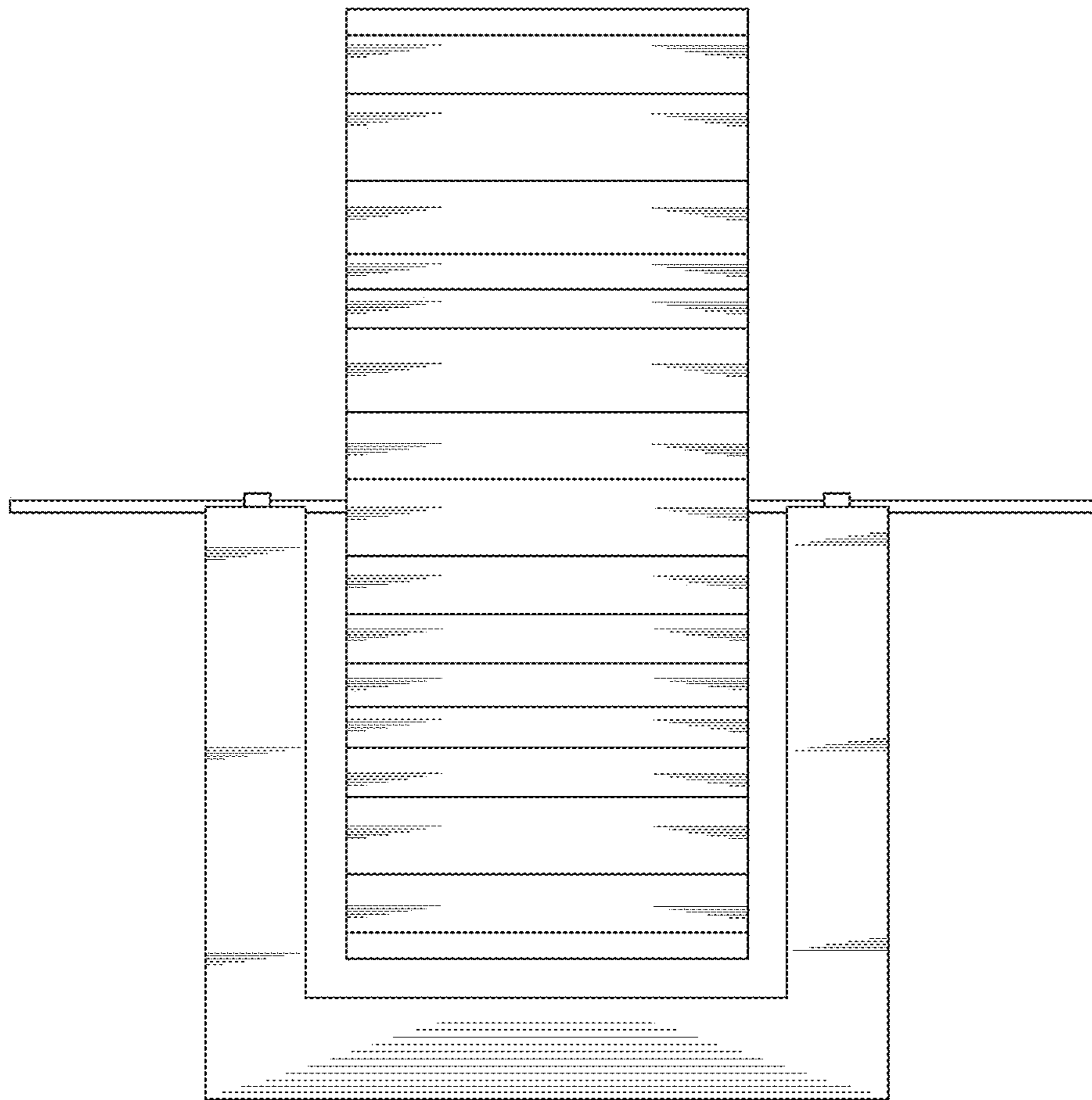


Fig. 2

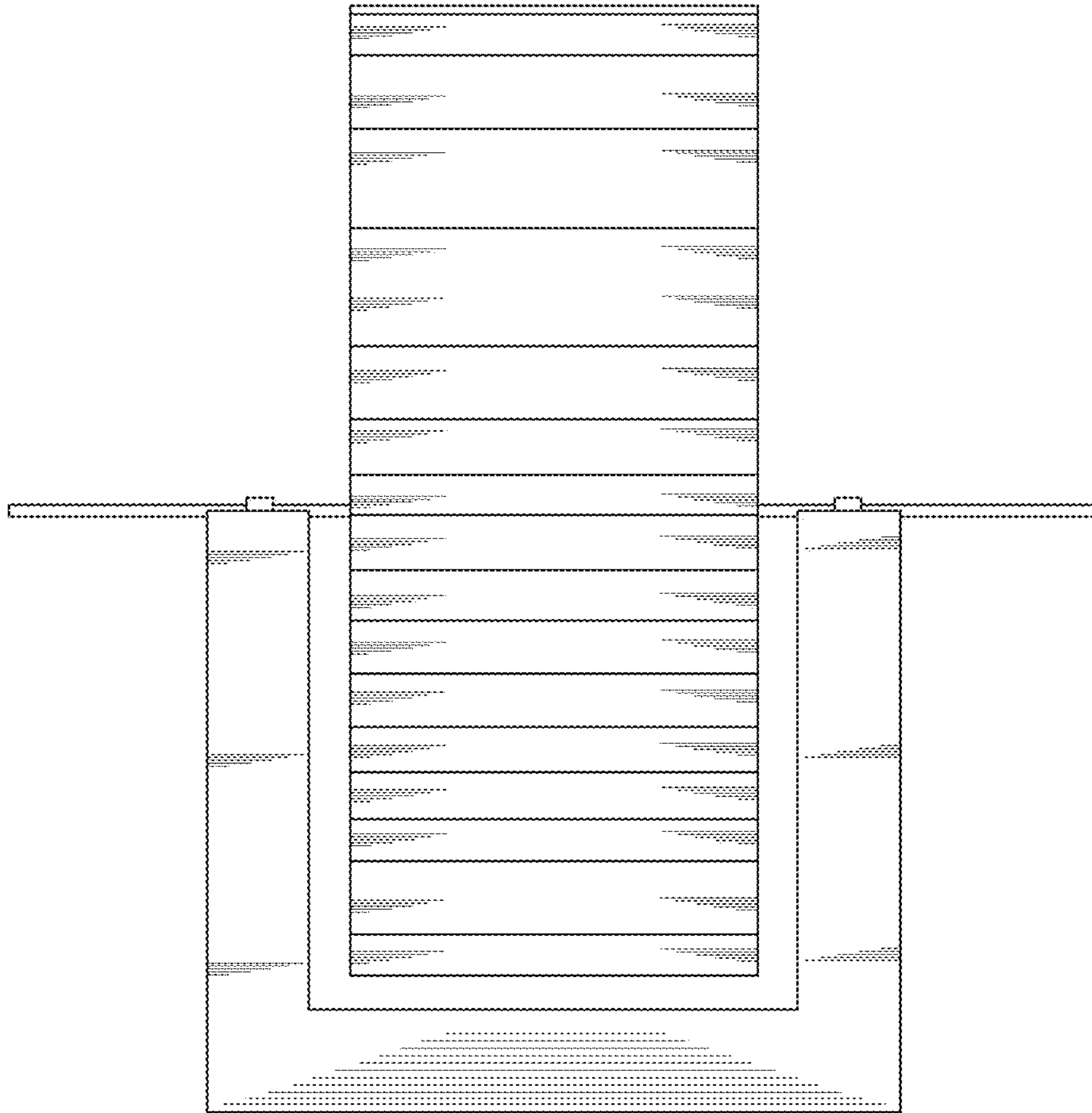


Fig. 3

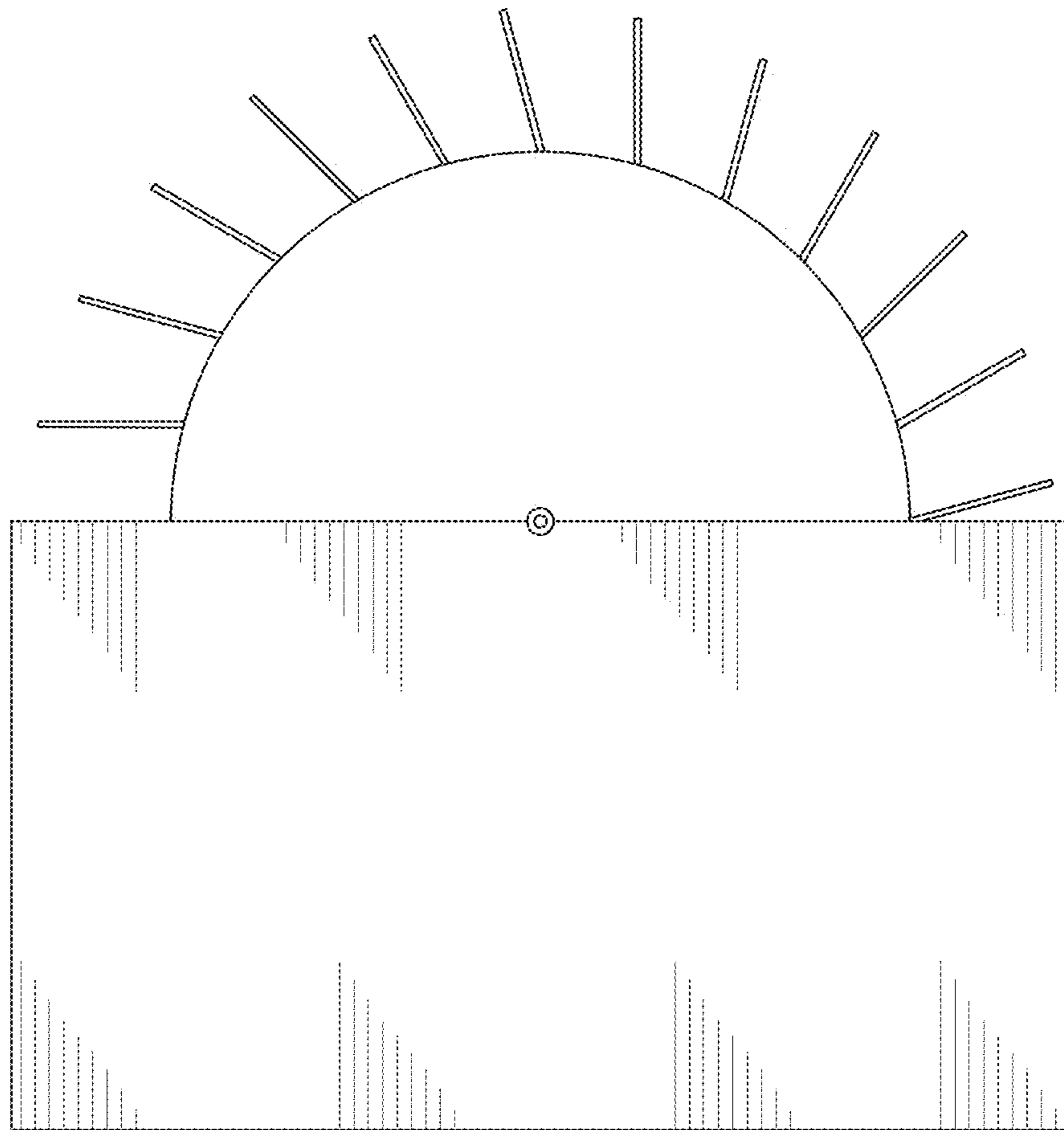


Fig. 4

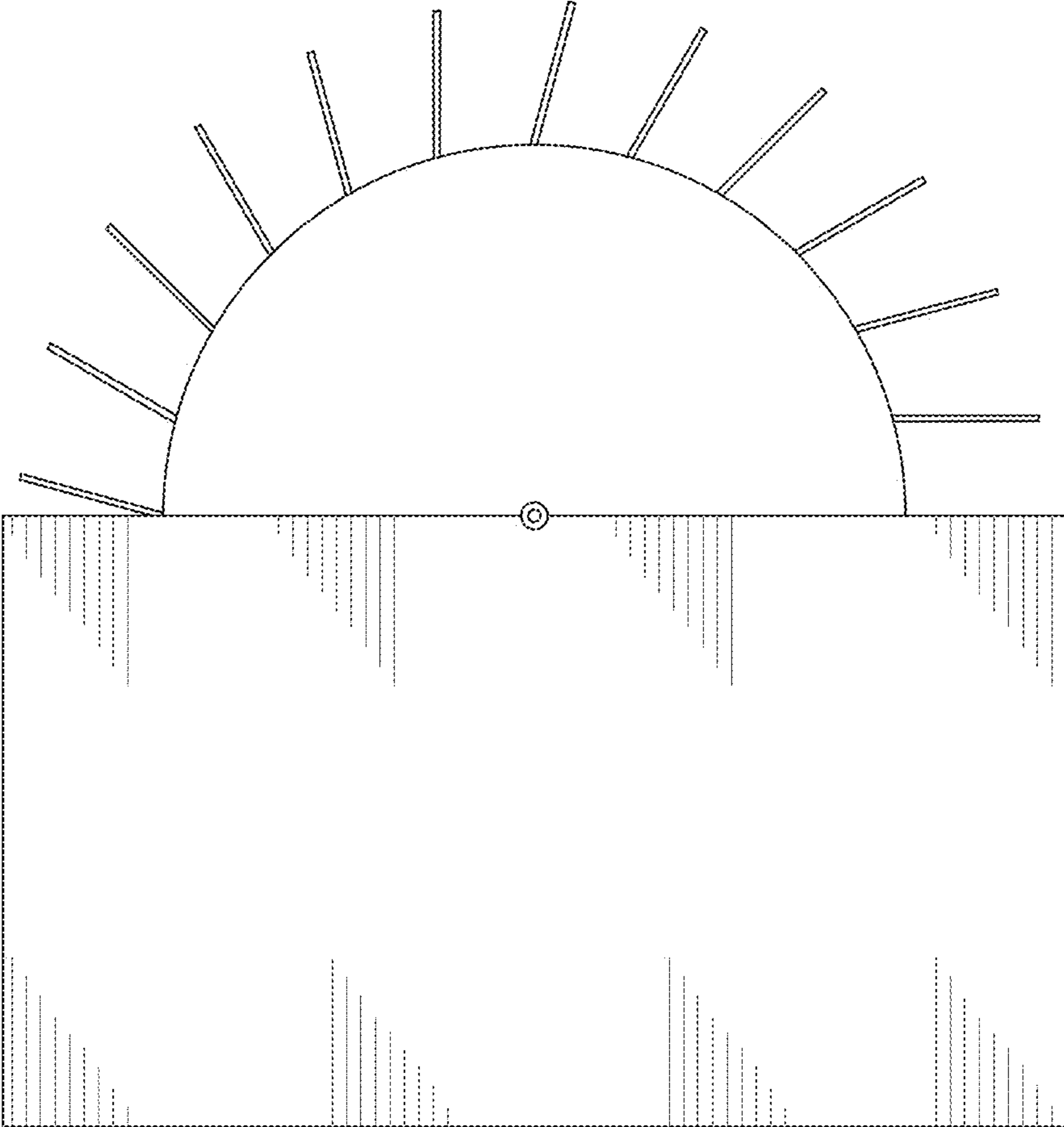


Fig. 5

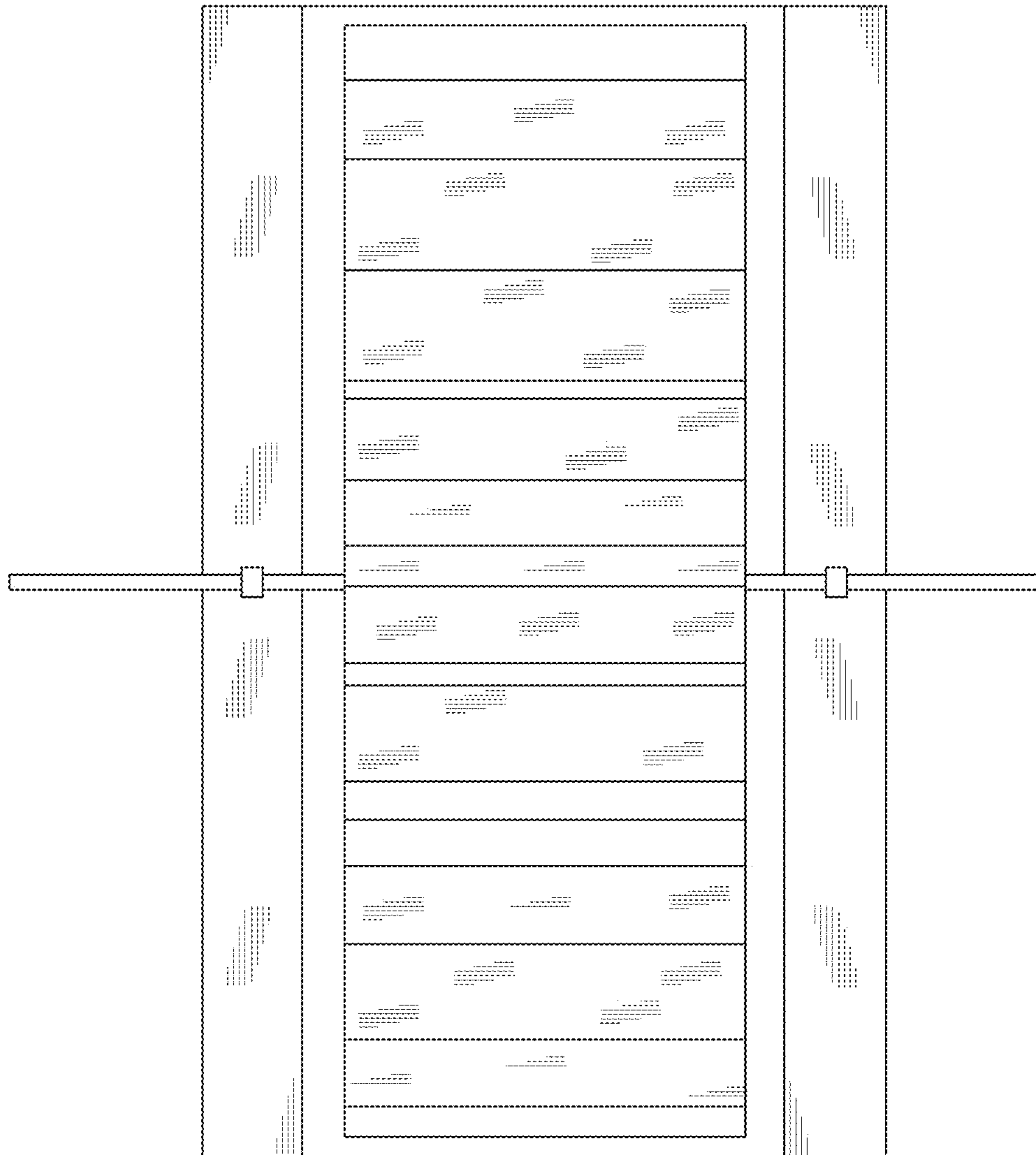


Fig. 6