



US00D932431S

(12) **United States Design Patent**
Liu

(10) **Patent No.:** **US D932,431 S**

(45) **Date of Patent:** **** Oct. 5, 2021**

(54) **PORTABLE POWER STATION**

(71) Applicant: **Shenzhen Shermon Technology Co., Limited**, Shenzhen (CN)

(72) Inventor: **Shangliu Liu**, Shenzhen (CN)

(73) Assignee: **SHENZHEN SHERMON TECHNOLOGY CO., LIMITED**, Shenzhen (CN)

(**) Term: **15 Years**

(21) Appl. No.: **29/756,507**

(22) Filed: **Oct. 29, 2020**

(30) **Foreign Application Priority Data**

Oct. 21, 2020 (CN) 202030627491.9

(51) **LOC (13) Cl.** **13-02**

(52) **U.S. Cl.**
USPC **D13/110**

(58) **Field of Classification Search**
USPC D13/107, 108, 110, 118–119, 184, 199,
D13/103

CPC H02J 7/025; H02J 7/0042; H02J 7/0044;
H02J 7/0045; H02J 7/0047; H02J 7/0003;
H02J 7/00047; H02J 7/0013; H02J
7/0027; H02J 7/02; H02J 1/122; B60R
16/033

See application file for complete search history.

(56) **References Cited**

U.S. PATENT DOCUMENTS

D491,139 S *	6/2004	Krieger	D13/107
D493,421 S *	7/2004	Krieger	D13/107
D503,148 S *	3/2005	Krieger	D13/107
D506,723 S *	6/2005	Krieger	D13/107
D506,724 S *	6/2005	Hriscu	D13/107
D506,975 S *	7/2005	Krieger	D13/107
D511,491 S *	11/2005	Hriscu	D13/107
D527,342 S *	8/2006	Krieger	D13/107
D530,271 S *	10/2006	Hriscu	D13/107

D549,170 S *	8/2007	Yen	D13/107
D815,039 S *	4/2018	Wen	D13/110
D821,313 S *	6/2018	Yang	D13/110
D872,018 S *	1/2020	Dong	D13/110
D874,397 S *	2/2020	Sun	D13/107
D874,398 S *	2/2020	Sun	D13/107

(Continued)

OTHER PUBLICATIONS

“Portable Power Station, AIPER Flash 150 Solar Generator 162Wh 45000mah Backup Power Supply”, Amazon.com, first available on Jul. 26, 2019. Retrieved from the internet on Aug. 14, 2021 <[https://www.amazon.com/AIPER-Portable-Generator-Flashlight-Emergency/dp/B07VRZL1W6/ref=as_li_ss_tl?ie=UTF8&linkCode= \(Year: 2019\) II1&tag=venchas501-20&linkId=bb62dff9c75a297cda071d764d6be383&language=en_US](https://www.amazon.com/AIPER-Portable-Generator-Flashlight-Emergency/dp/B07VRZL1W6/ref=as_li_ss_tl?ie=UTF8&linkCode= (Year: 2019) II1&tag=venchas501-20&linkId=bb62dff9c75a297cda071d764d6be383&language=en_US)>.*

Primary Examiner — Rosemary K Tarcza

(57) **CLAIM**

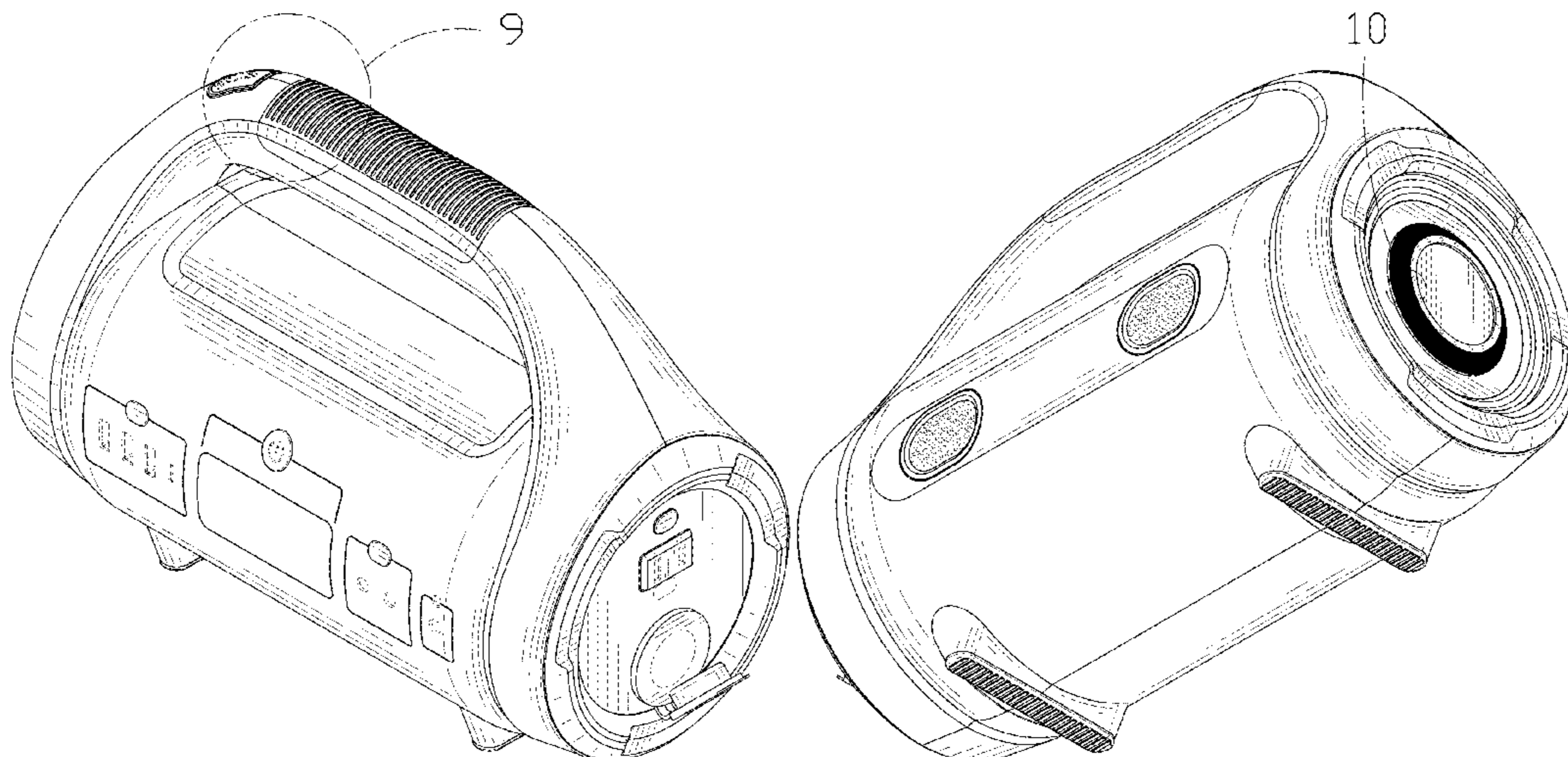
The ornamental design for a portable power station, as shown and described.

DESCRIPTION

FIG. 1 is a perspective view of a portable power station showing my new design;
FIG. 2 is another perspective view thereof;
FIG. 3 is a front elevational view thereof;
FIG. 4 is a rear elevational view thereof;
FIG. 5 is a left side elevational view thereof;
FIG. 6 is a right side elevational view thereof;
FIG. 7 is a top plan view thereof;
FIG. 8 is a bottom plan view thereof;
FIG. 9 is an enlarged view of the encircled portion 9 of FIG. 1; and,
FIG. 10 is an enlarged view of the encircled portion 10 of FIG. 2.

The broken lines in the drawings are for the purpose of illustrating portions of the portable power station that form no part of the claimed design.

1 Claim, 10 Drawing Sheets



(56)

References Cited

U.S. PATENT DOCUMENTS

D881,808 S * 4/2020 Sun D13/108
D883,206 S * 5/2020 Bai D13/110
D887,357 S 6/2020 Liao

* cited by examiner

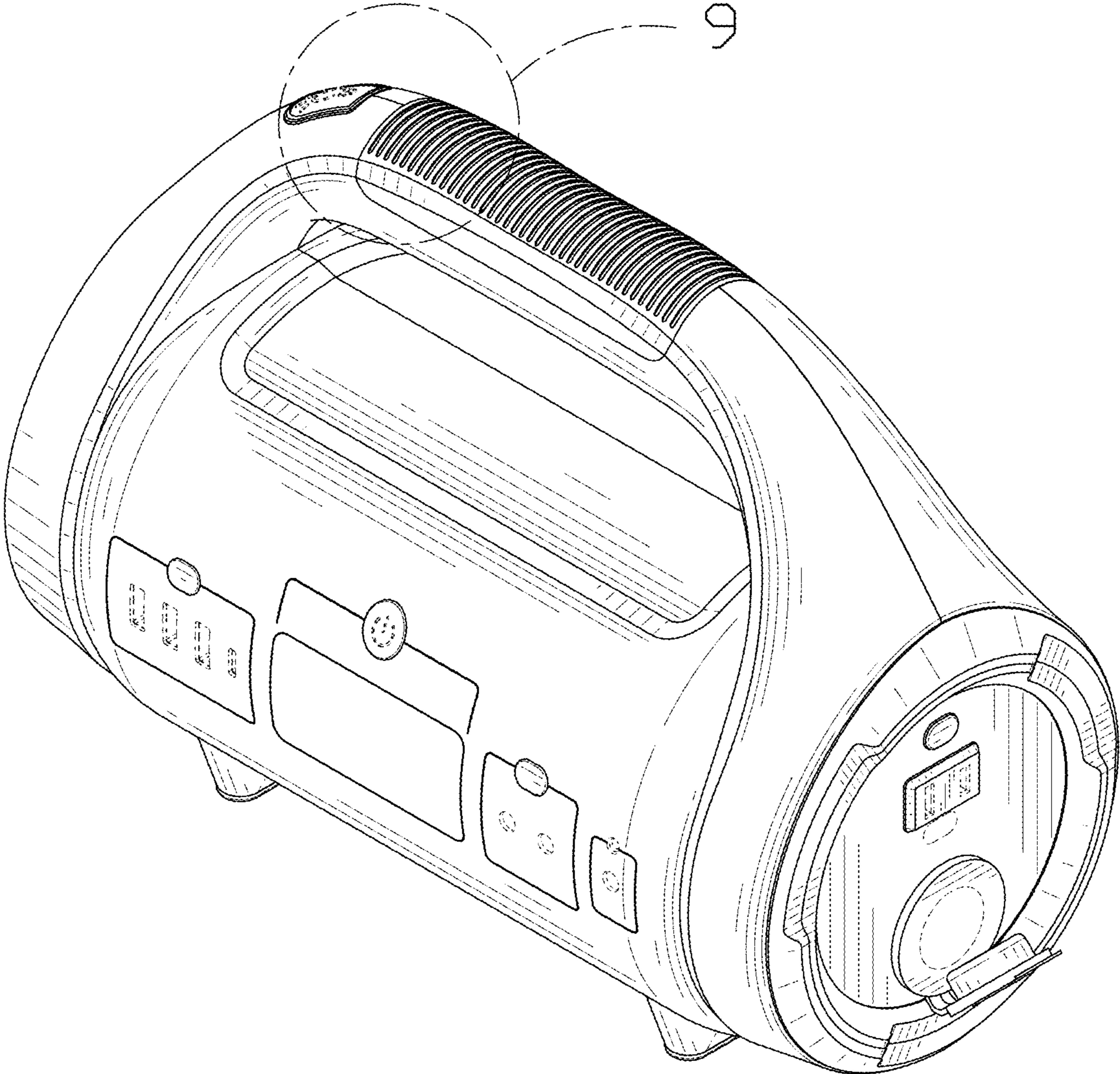


FIG. 1

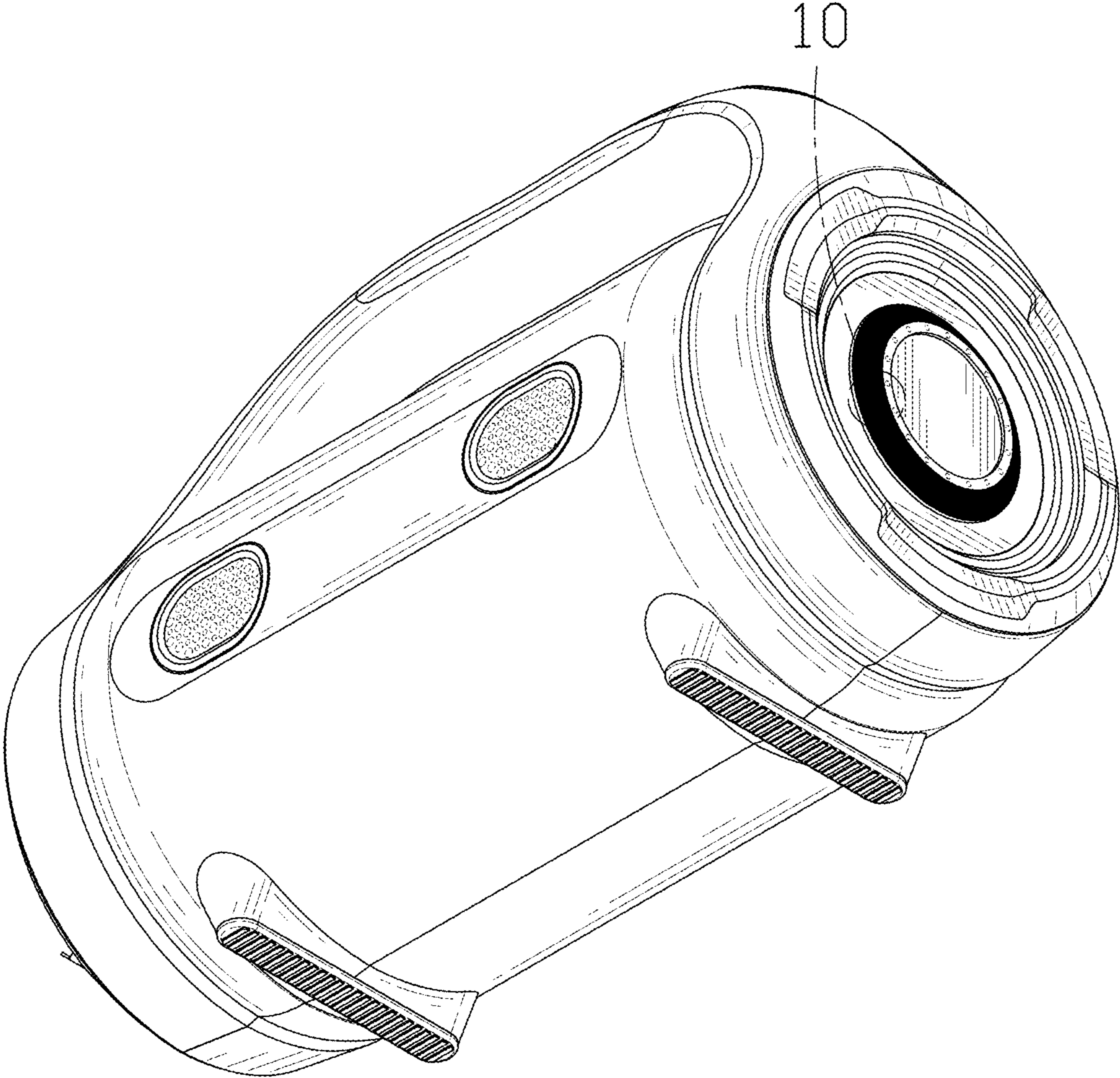


FIG. 2

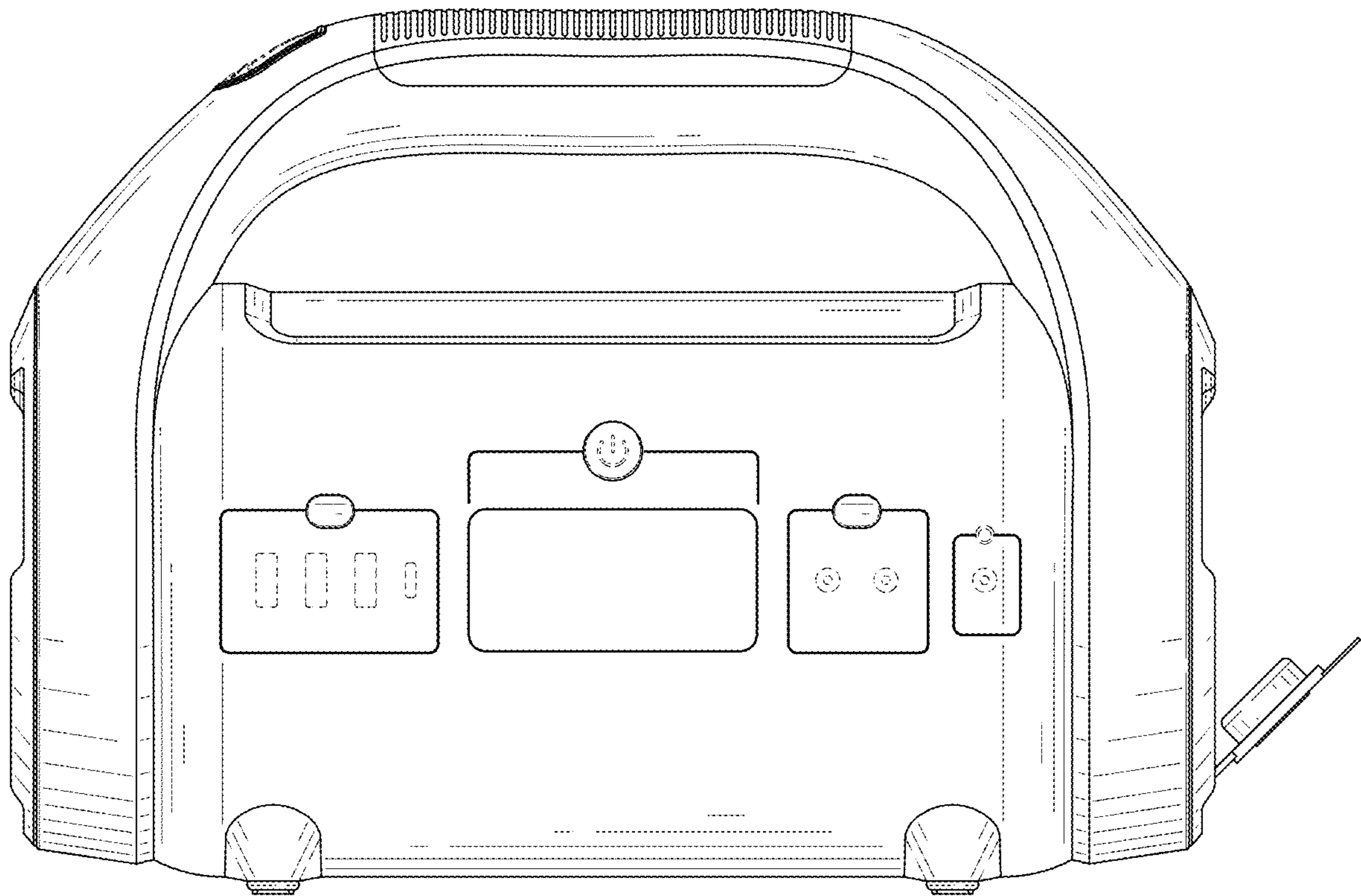


FIG. 3

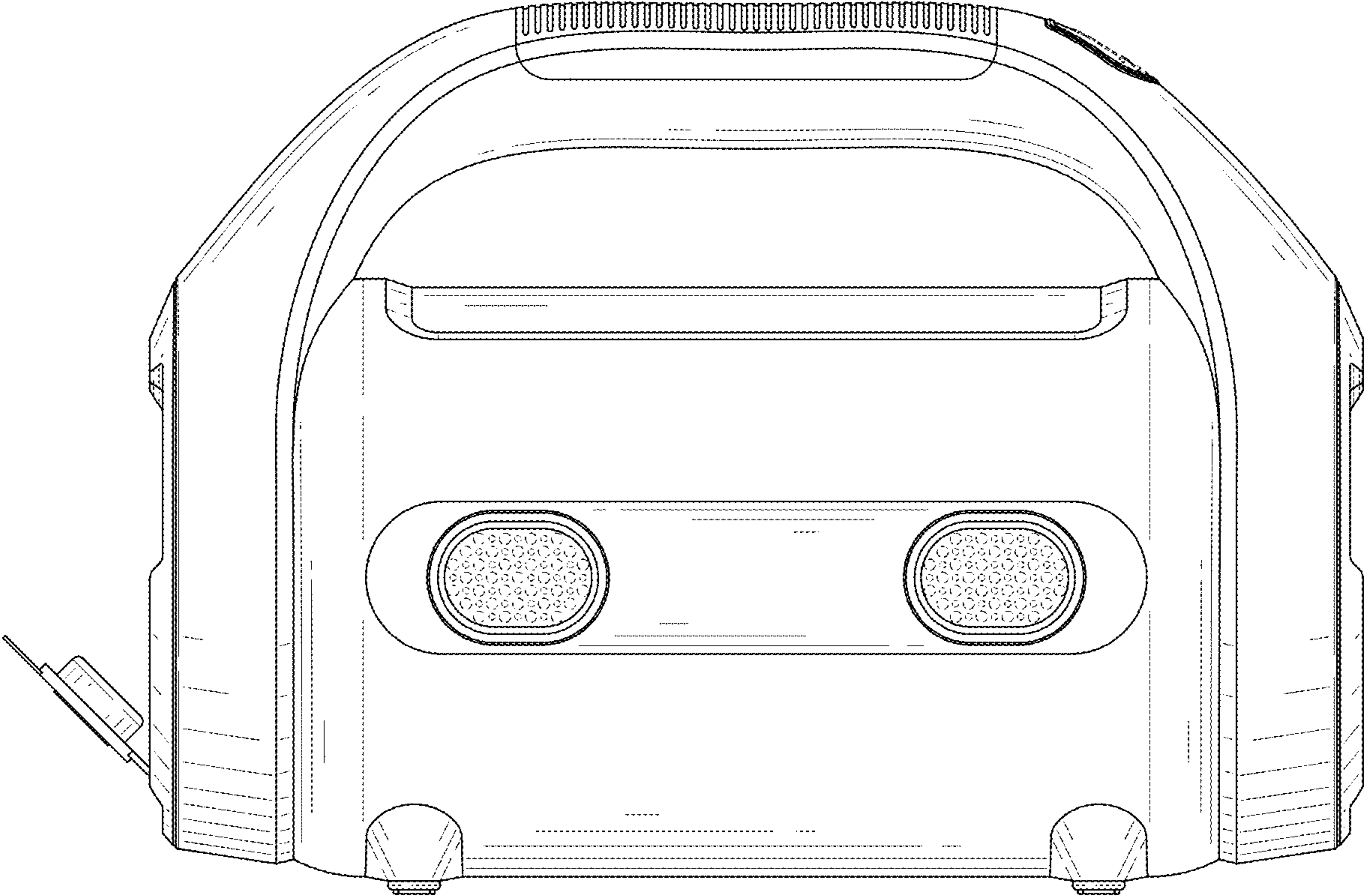


FIG. 4

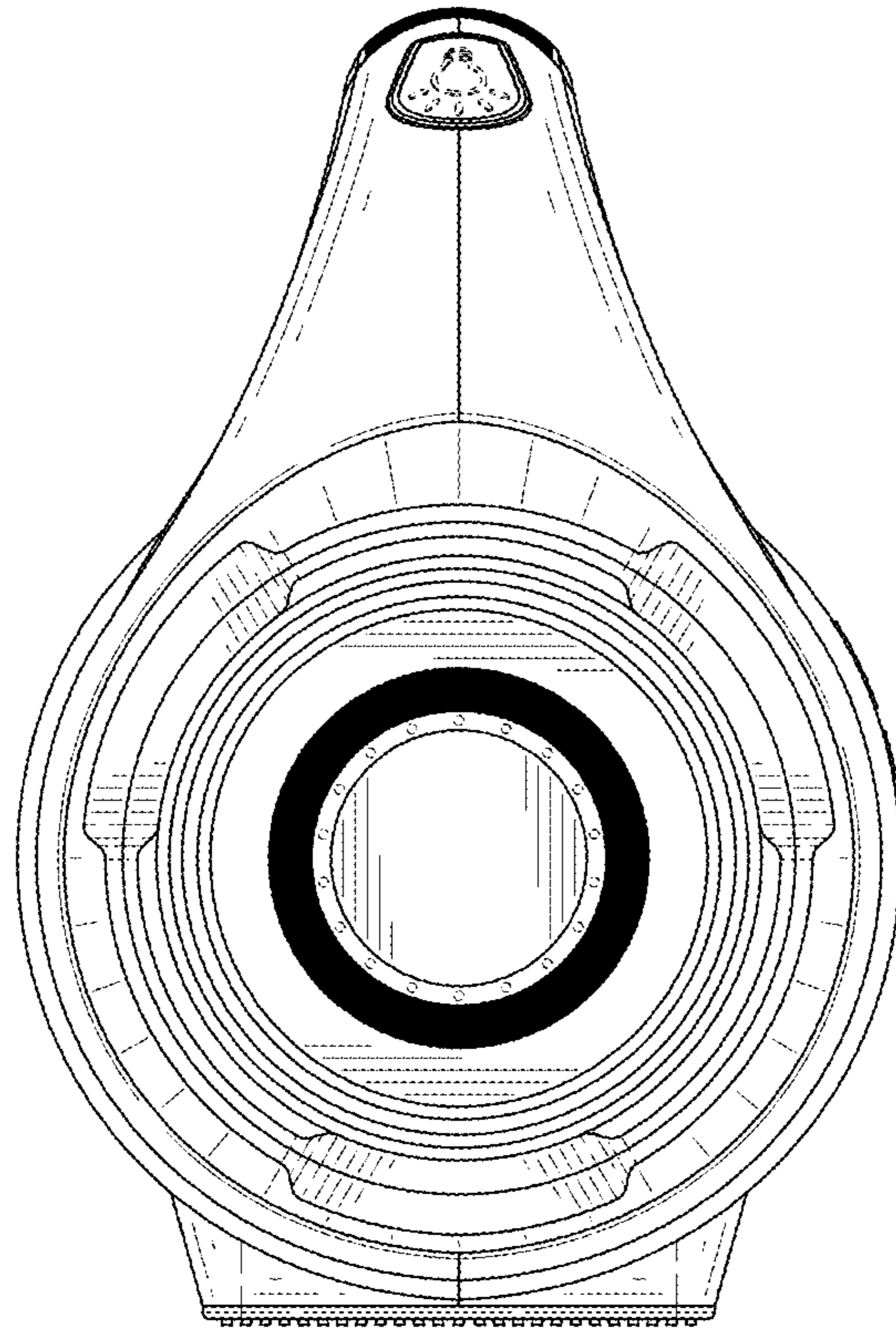


FIG. 5

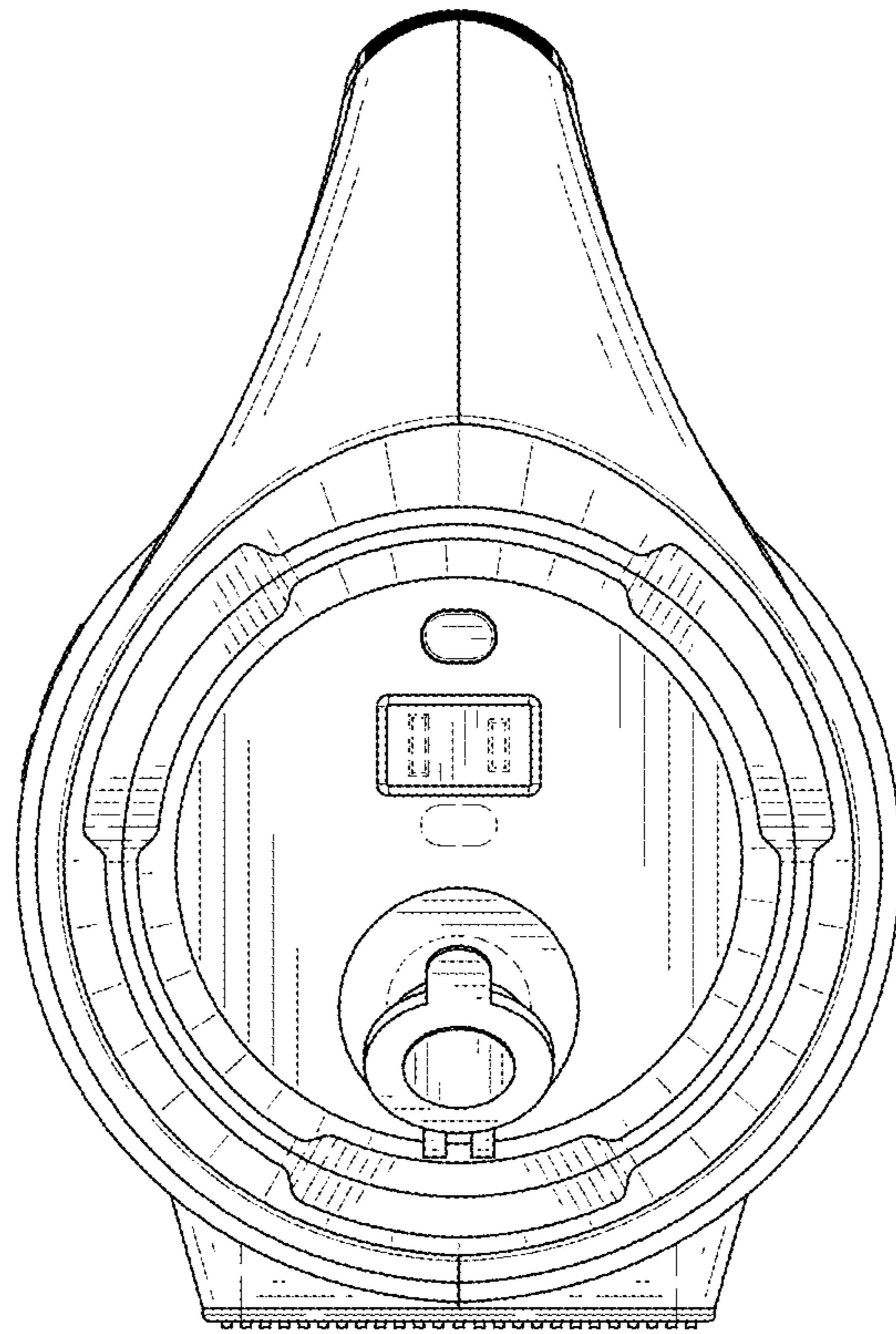


FIG. 6

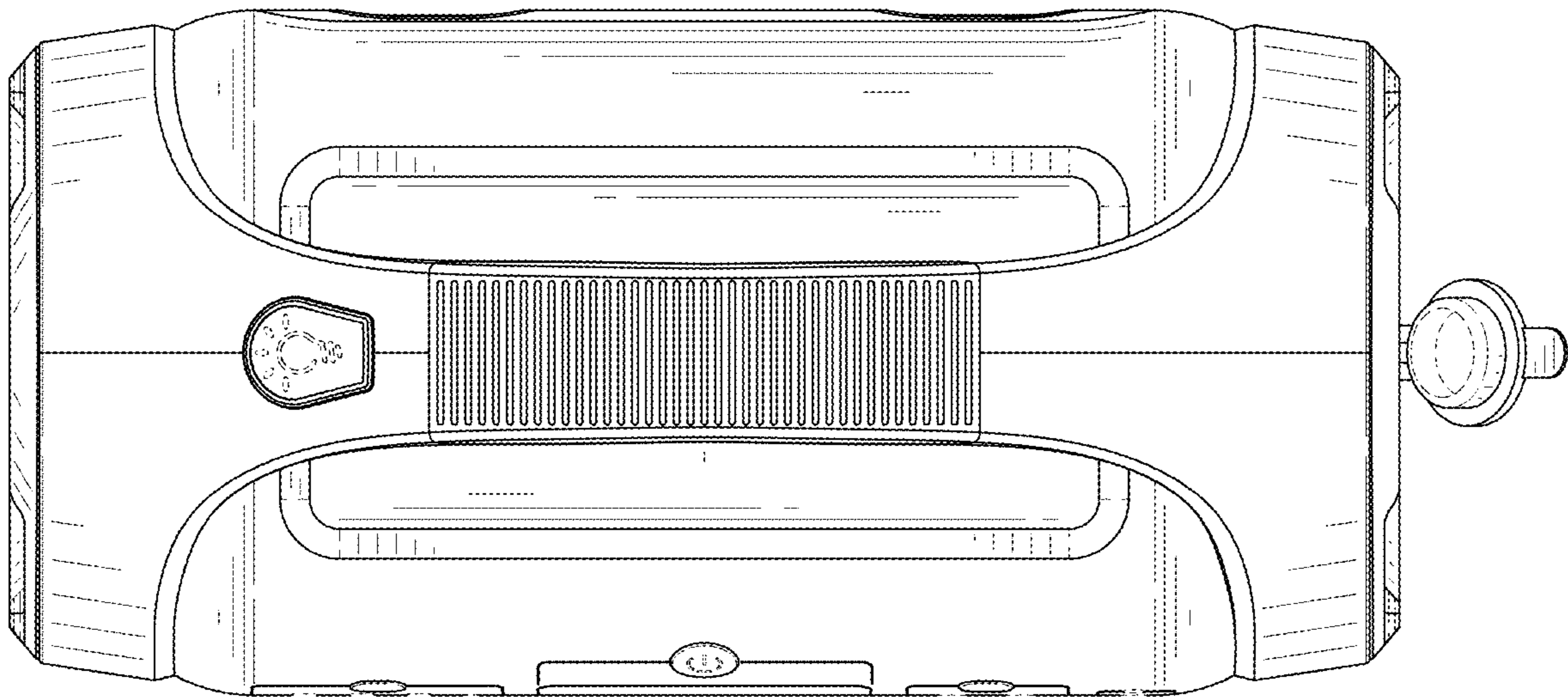


FIG. 7

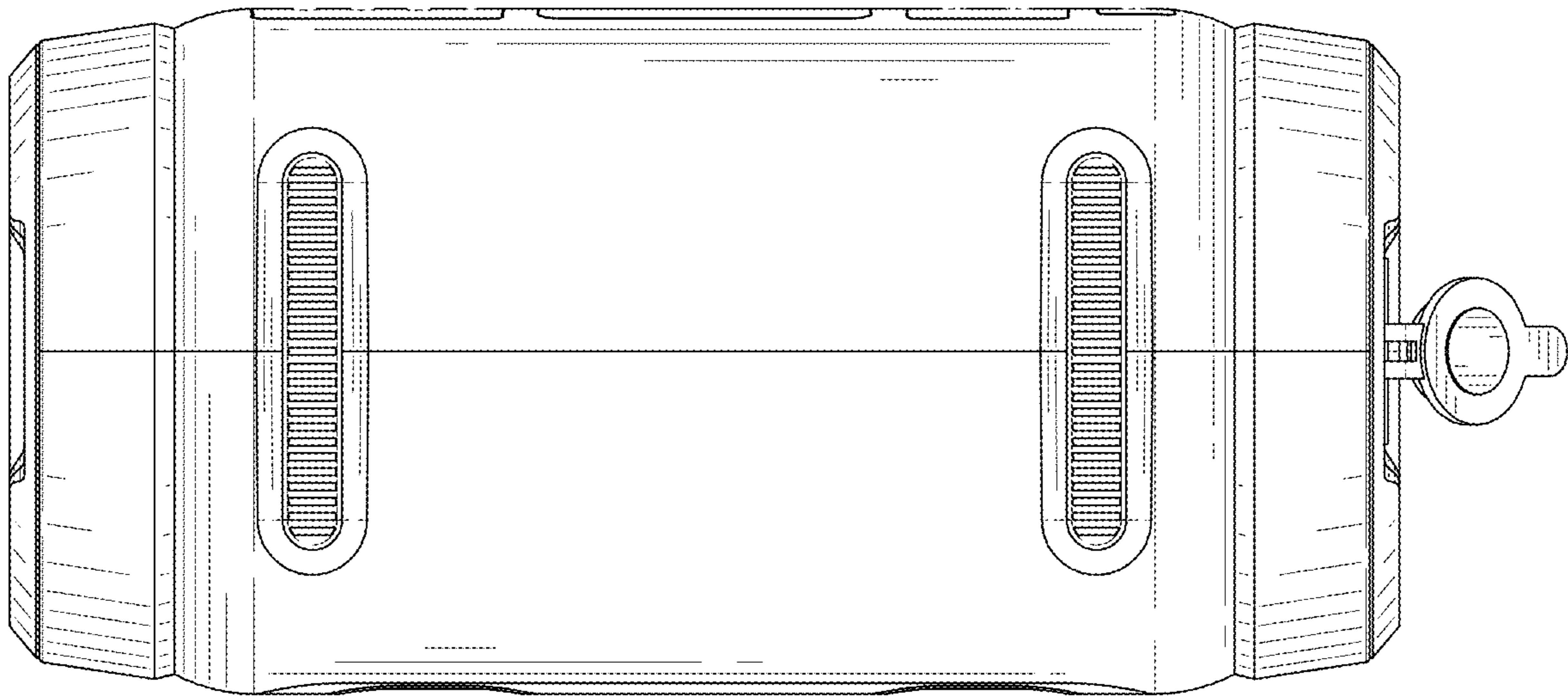


FIG. 8

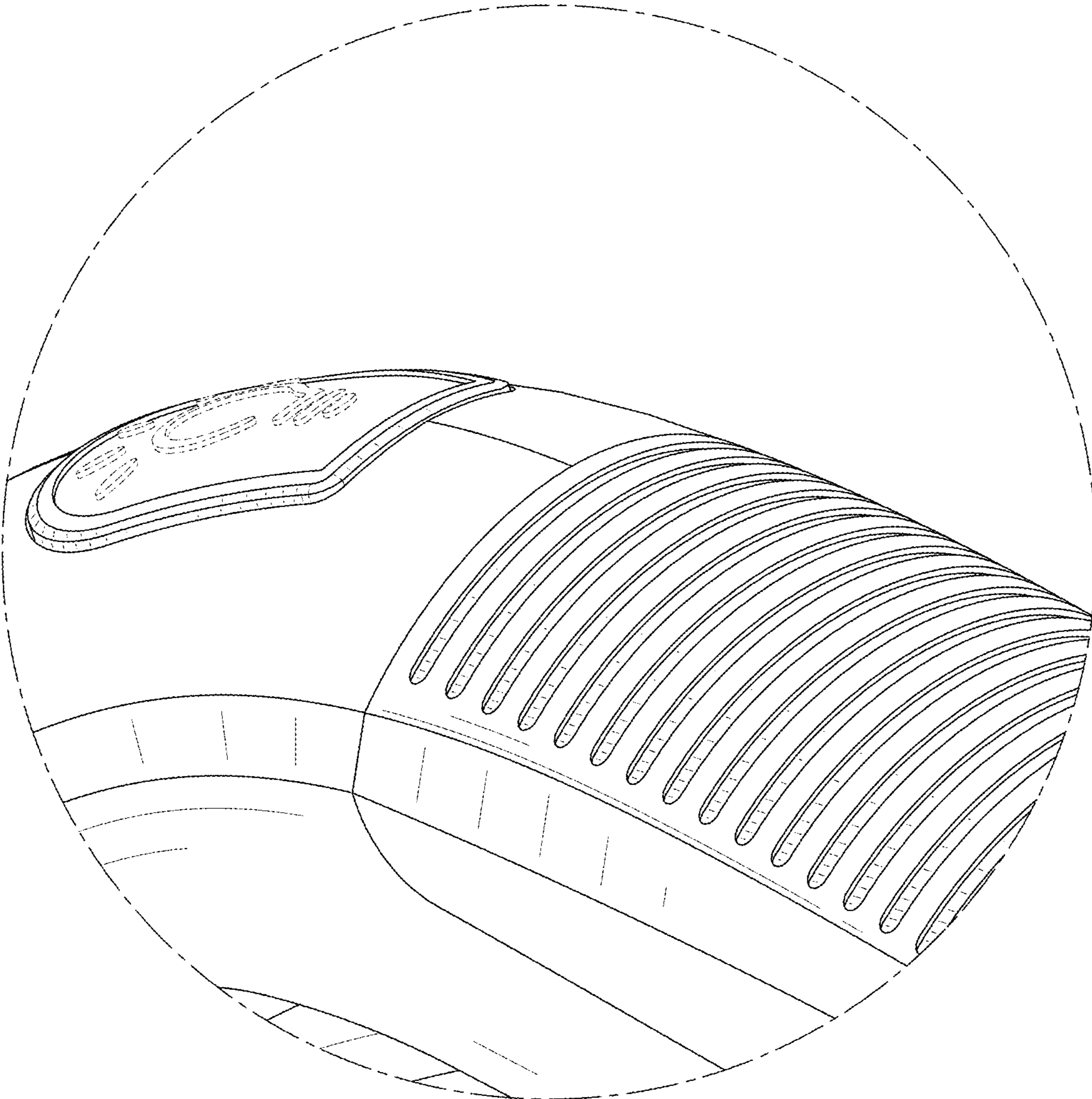


FIG. 9

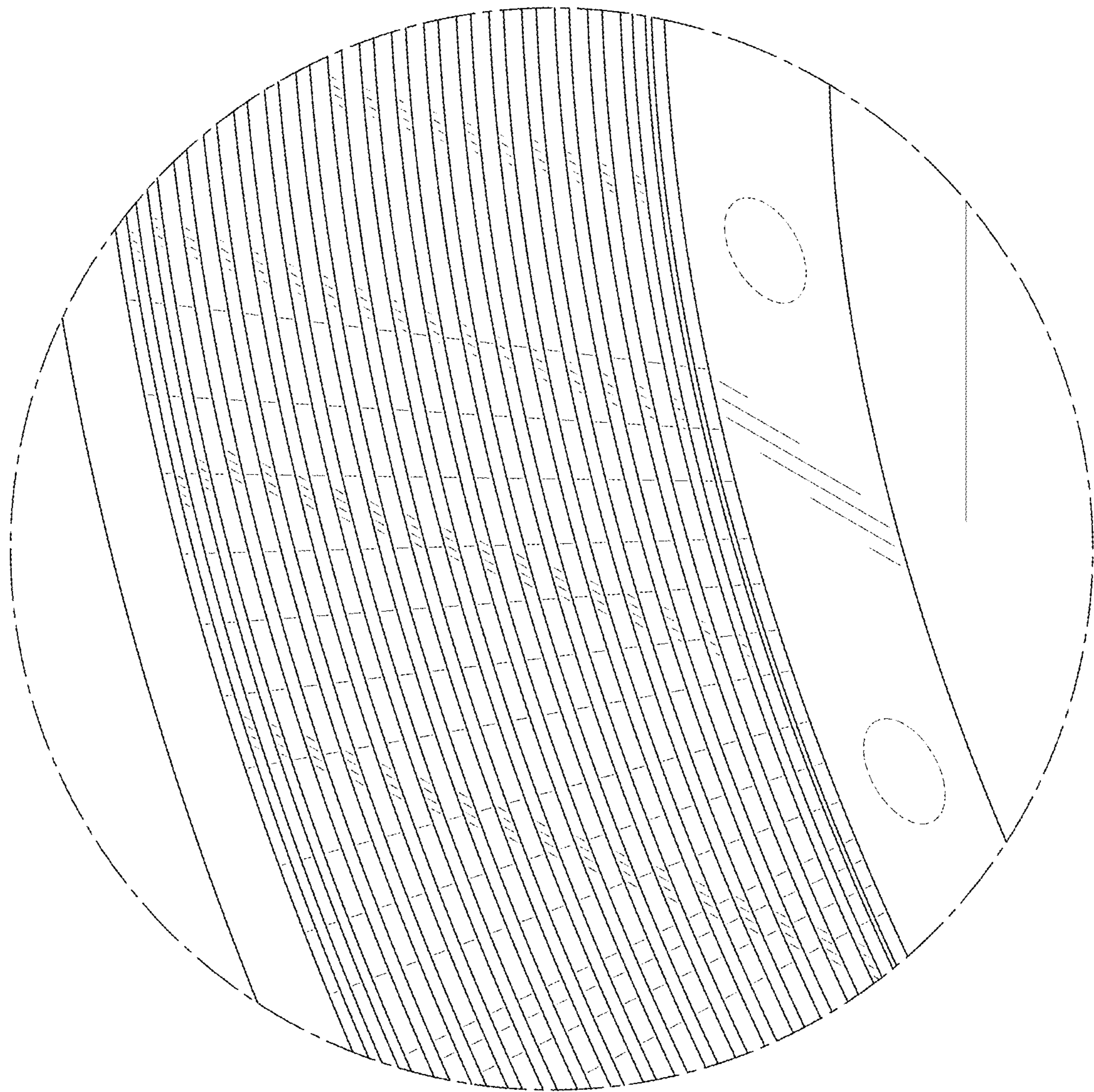


FIG. 10