



US00D932430S

(12) **United States Design Patent**  
**Li et al.**

(10) **Patent No.:** **US D932,430 S**  
(45) **Date of Patent:** **\*\* Oct. 5, 2021**

(54) **INVERTER**

(71) Applicant: **GLOBE (JIANGSU) CO., LTD.**,  
Jiangsu (CN)

(72) Inventors: **Jiatao Li**, Jiangsu (CN); **Chris Eichel**,  
Jiangsu (CN)

(73) Assignee: **Globe (Jiangsu) Co., Ltd**, Changzhou  
(CN)

(\*\*) Term: **15 Years**

(21) Appl. No.: **29/734,811**

(22) Filed: **May 15, 2020**

(30) **Foreign Application Priority Data**

Nov. 25, 2019 (CN) ..... 201930651117.X

(51) **LOC (13) Cl.** ..... **13-02**

(52) **U.S. Cl.**  
USPC ..... **D13/110**

(58) **Field of Classification Search**  
USPC ..... D13/110, 107, 108, 118, 123, 162, 164,  
D13/184, 199; D14/257, 432, 433, 438  
CPC ..... H05K 5/00; H05K 5/02; H05K 5/0247;  
H05K 7/00; H05K 7/20; H05K 7/20136;  
H05K 7/20154; H05K 7/209; H05K  
7/1417; H05K 7/1427; H05K 7/20918;  
H02M 7/00; H02M 7/003; H02J 7/0042;  
H01R 25/00; H01R 27/02; H01R 13/44  
See application file for complete search history.

(56) **References Cited**

U.S. PATENT DOCUMENTS

5,742,478 A *	4/1998	Wu	.....	H05K 7/20154 361/704
5,949,640 A *	9/1999	Cameron	.....	H05K 5/0247 361/600
D562,765 S *	2/2008	Tsuzuki	.....	D13/110
7,483,272 B2 *	1/2009	Hussaini	.....	H05K 7/20154 361/704
D662,053 S *	6/2012	Inskeep	.....	D13/110
D706,216 S *	6/2014	Perin	.....	D13/110
D804,416 S *	12/2017	Dilley	.....	D13/110
D806,027 S *	12/2017	Ceravalo	.....	D13/110

\* cited by examiner

*Primary Examiner* — Derrick E Holland

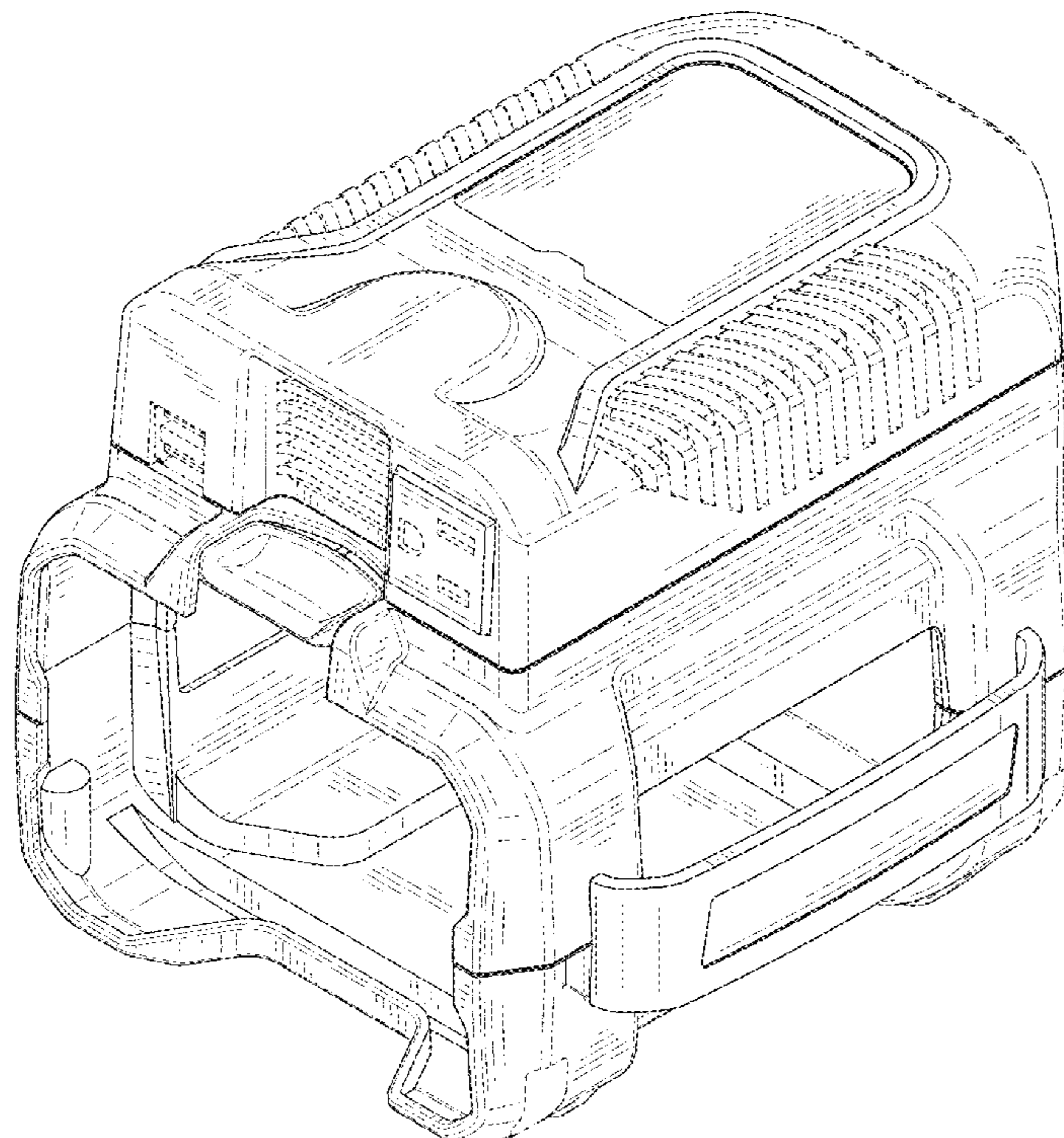
(57) **CLAIM**

The ornamental design for an inverter, as shown and described.

**DESCRIPTION**

FIG. 1 is a top, front and right side perspective view of an inverter showing our new design;  
FIG. 2 is a bottom, rear and left side perspective view thereof;  
FIG. 3 is a front elevational view thereof;  
FIG. 4 is a rear elevational view thereof;  
FIG. 5 is a right side view thereof;  
FIG. 6 is a left side view thereof;  
FIG. 7 is a top plan view thereof; and,  
FIG. 8 is a bottom plan view thereof.  
The broken lines in the drawings illustrate portions of the inverter which form no part of the claimed design.

**1 Claim, 8 Drawing Sheets**



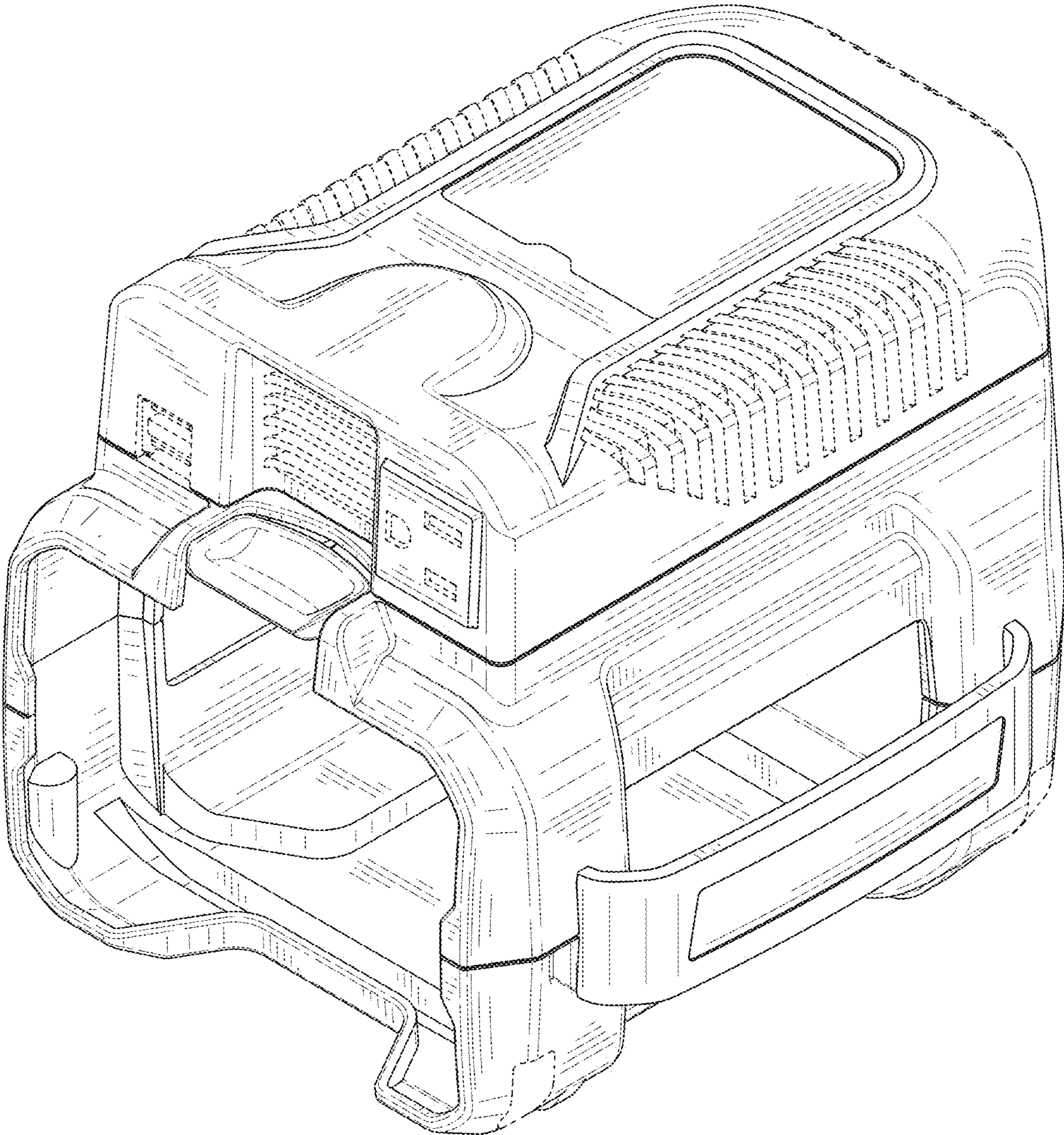


FIG. 1



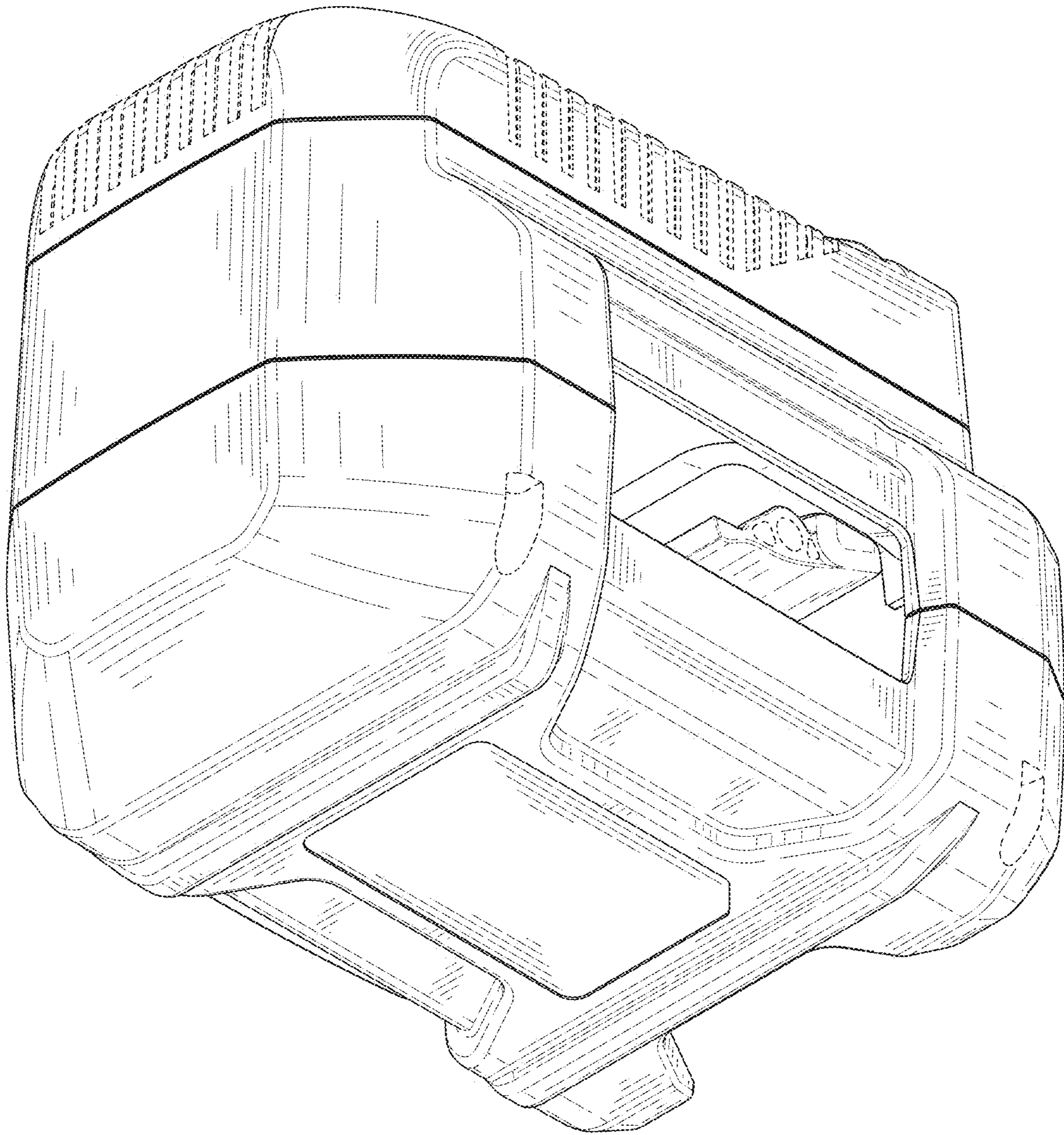


FIG. 2

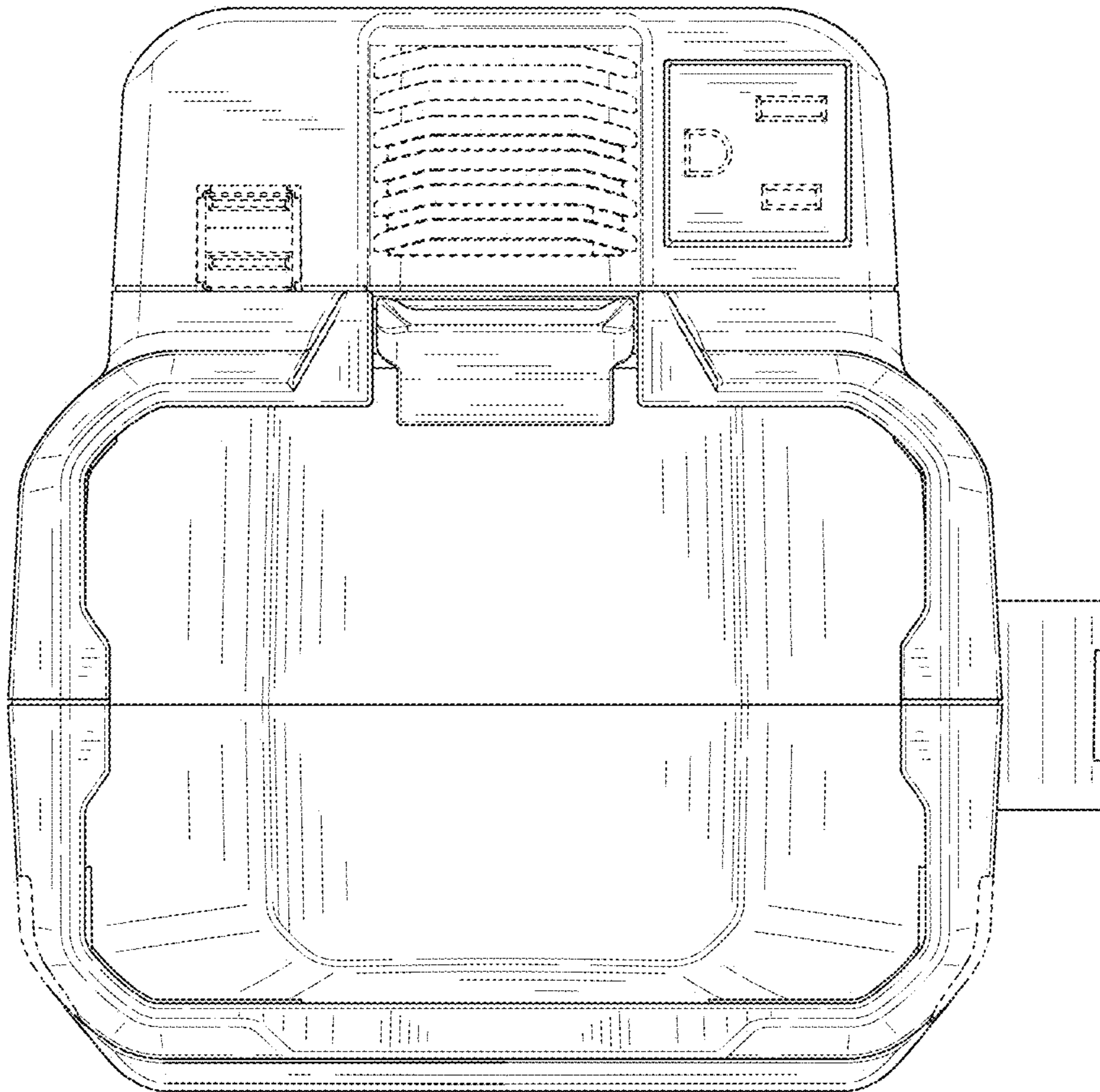


FIG. 3

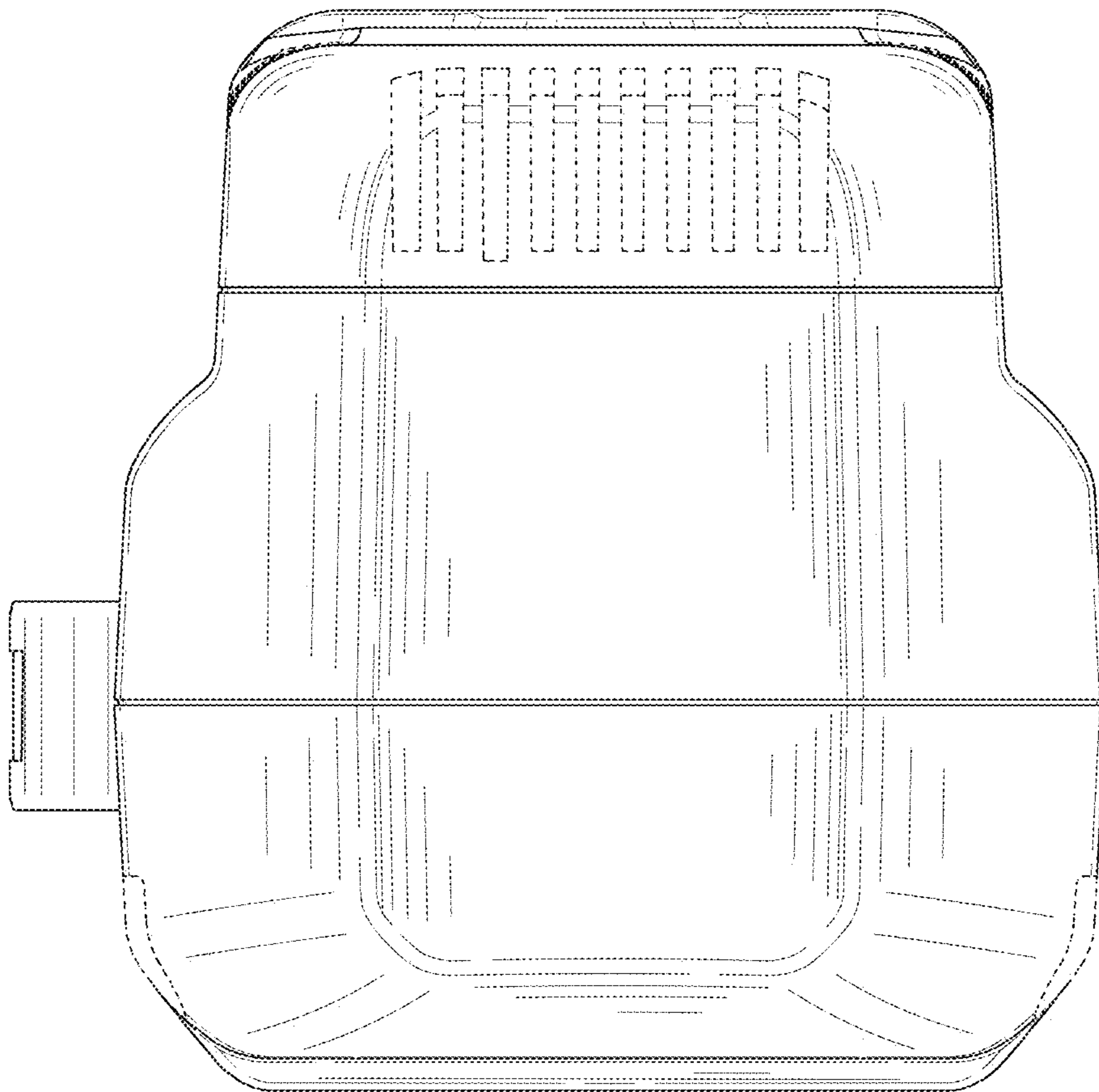


FIG. 4

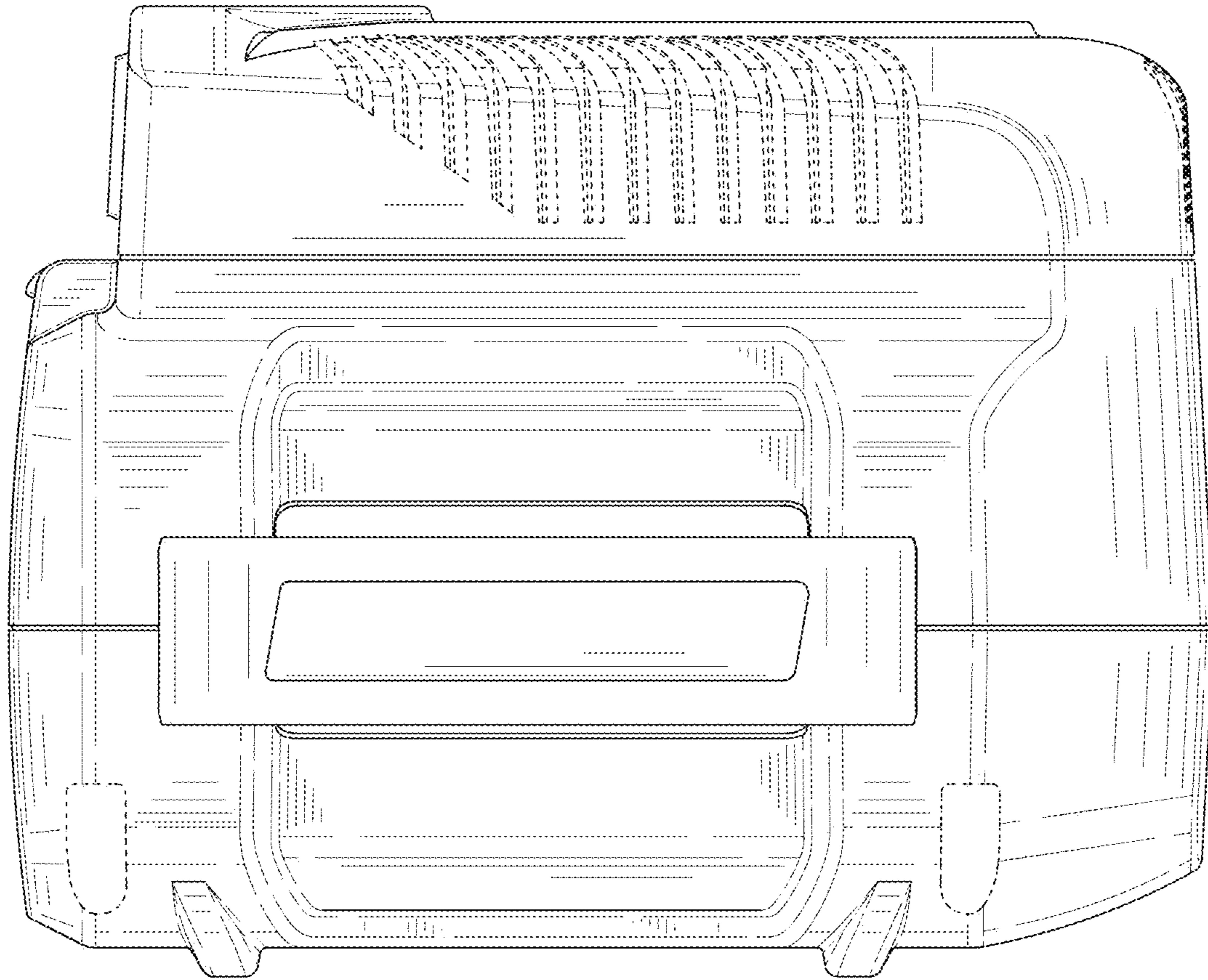


FIG. 5



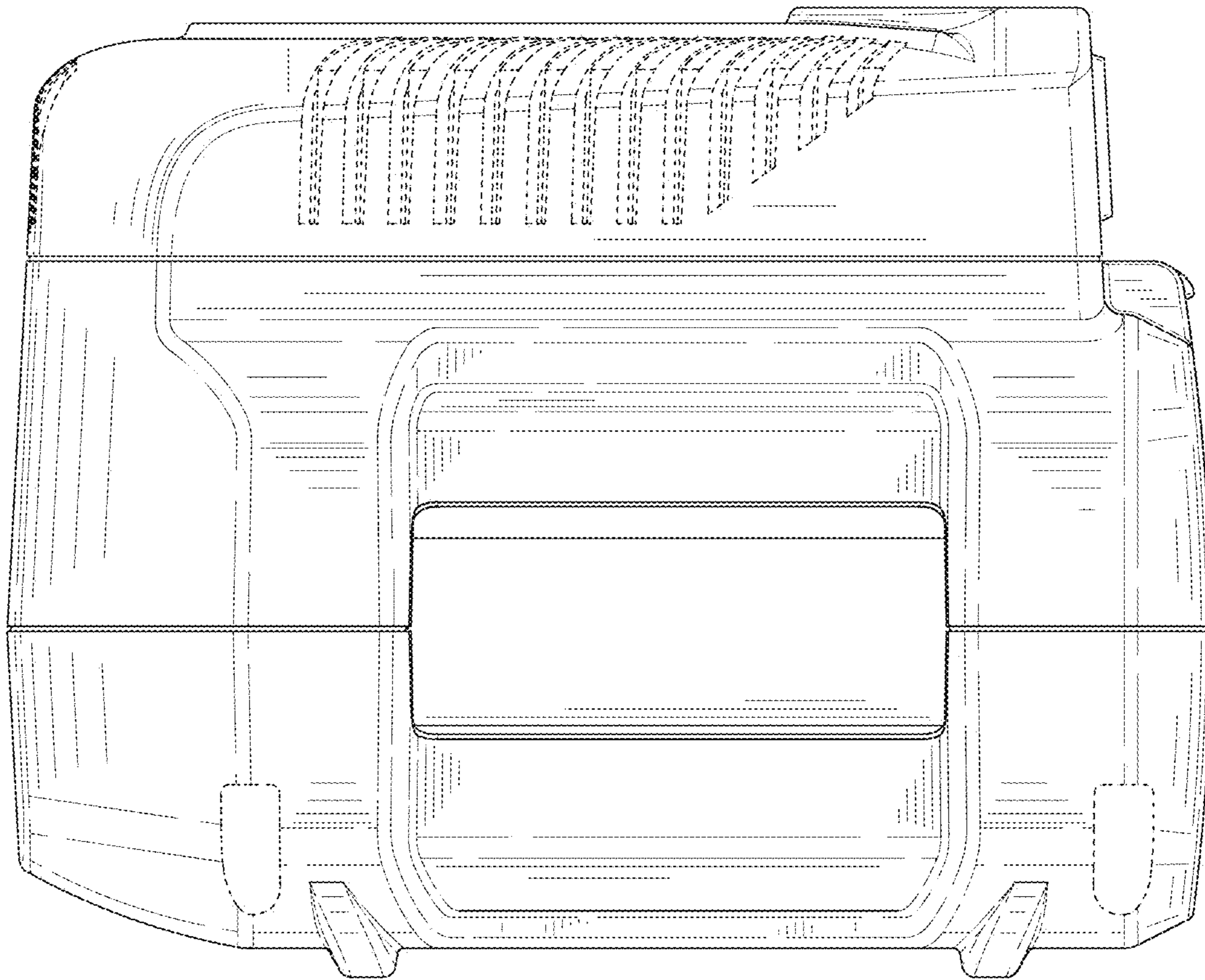


FIG. 6

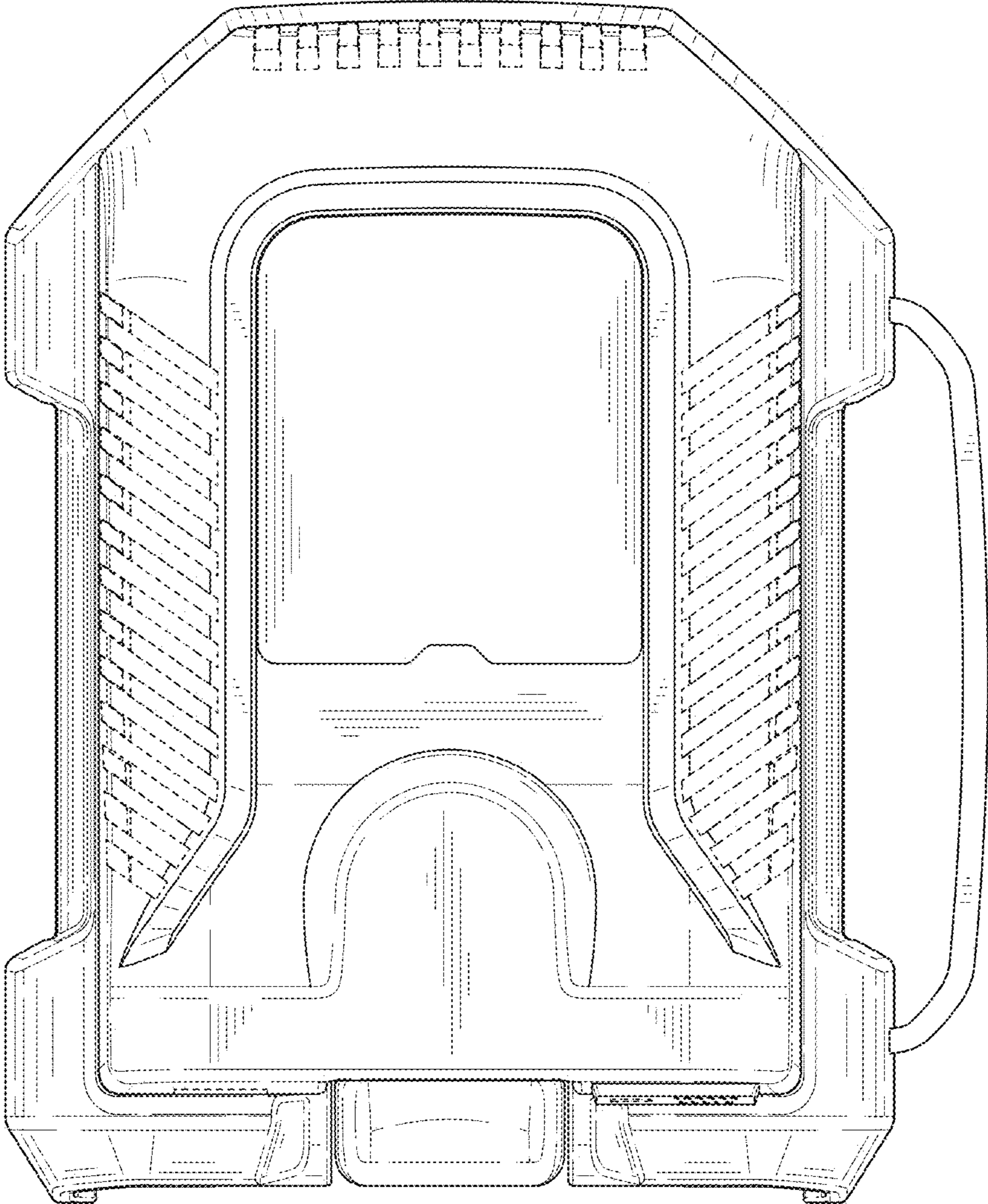


FIG. 7



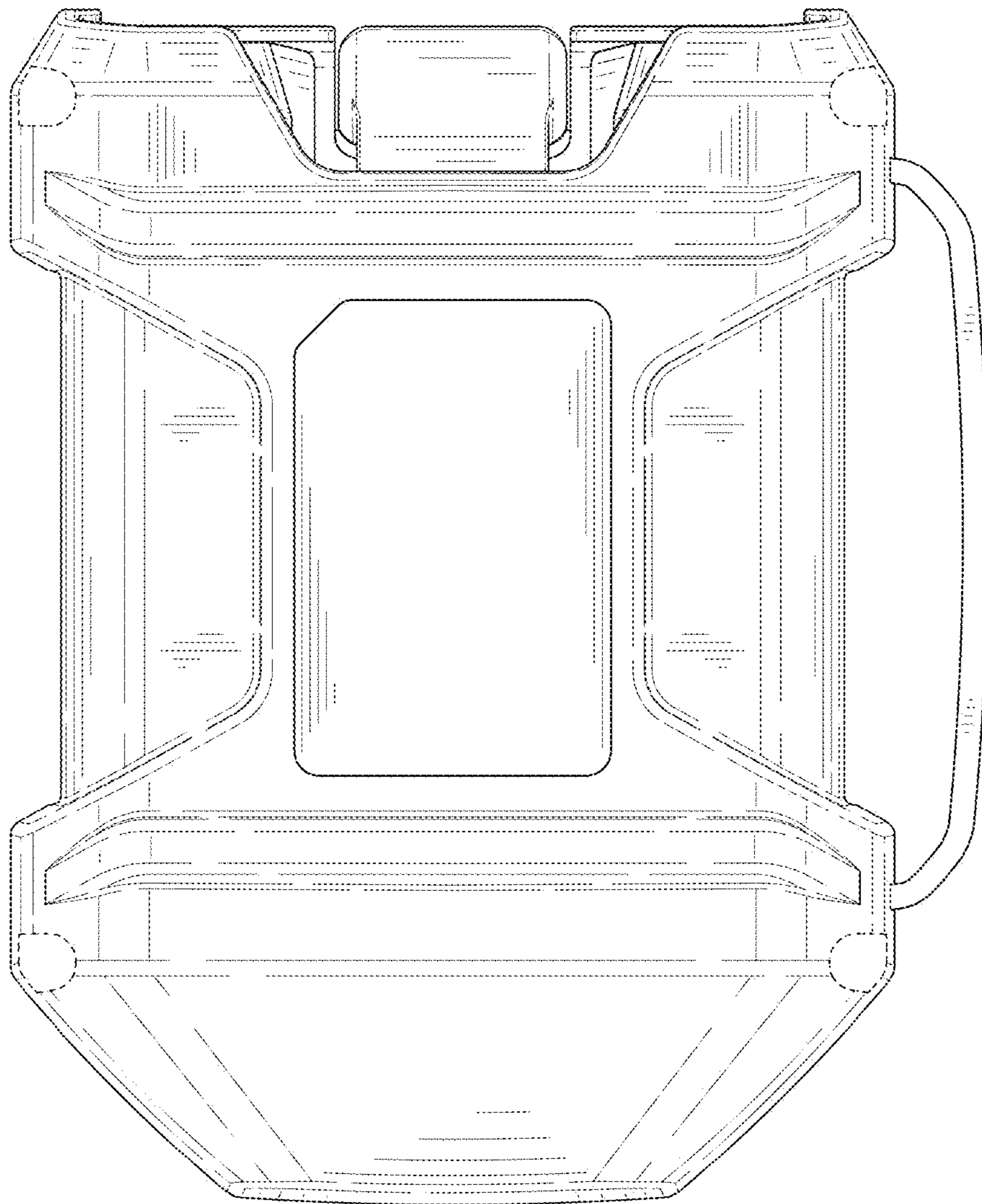


FIG. 8