



US00D932429S

(12) **United States Design Patent** (10) **Patent No.:** **US D932,429 S**
Tham et al. (45) **Date of Patent:** **** Oct. 5, 2021**

(54) **CHARGING DOCK**

(71) Applicants: **Yu Jiang Tham**, San Diego, CA (US);
Gerald Nilles, Culver City, CA (US);
Jonathan M. Rodriguez, II, Beverly Hills, CA (US); **Nir Daube**, Pacific Palisades, CA (US)

(72) Inventors: **Yu Jiang Tham**, San Diego, CA (US);
Gerald Nilles, Culver City, CA (US);
Jonathan M. Rodriguez, II, Beverly Hills, CA (US); **Nir Daube**, Pacific Palisades, CA (US)

(73) Assignee: **Snap Inc.**, Santa Monica, CA (US)

(**) Term: **15 Years**

(21) Appl. No.: **29/716,808**

(22) Filed: **Dec. 12, 2019**

(51) **LOC (13) Cl.** **13-02**

(52) **U.S. Cl.**
USPC **D13/108**

(58) **Field of Classification Search**
USPC D13/103, 107, 108, 109, 110, 118, 119;
D14/356, 434, 447, 209.1, 251, 253;
D27/183, 193, 194
CPC H02J 7/342; H02J 50/00; H01R 2201/06;
H01M 2220/00
See application file for complete search history.

(56) **References Cited**

U.S. PATENT DOCUMENTS

D374,425 S * 10/1996 Crane D13/107
D519,450 S * 4/2006 Lyman D13/108
D647,848 S * 11/2011 Yen D13/118
9,252,605 B1 * 2/2016 Custon H02J 7/0027
9,577,467 B1 * 2/2017 Karanikos H02J 50/10
D783,524 S * 4/2017 Ju D13/108
D891,366 S * 7/2020 Xie D13/108

D896,173 S * 9/2020 Zhang D13/108
D913,221 S * 3/2021 Druce D13/108
D913,222 S * 3/2021 Albay D13/108
2019/0109411 A1 * 4/2019 Sun H01R 13/6205
2020/0153260 A1 * 5/2020 Yuen G04G 17/08

(Continued)

OTHER PUBLICATIONS

“Charger Compatible with Garmin Fenix”. Found online Apr. 7, 2021 at amazon.com. Reference dated Nov. 1, 2018. Retrieved from https://www.amazon.com/gp/product/B07N18DX6Y/ref=as_li_ss_tl. (Year: 2018).*

(Continued)

Primary Examiner — Kendra Leslie Hamilton
Assistant Examiner — Amanda Christensen
(74) *Attorney, Agent, or Firm* — Culhane Meadows PLLC; Stephen J. Weed

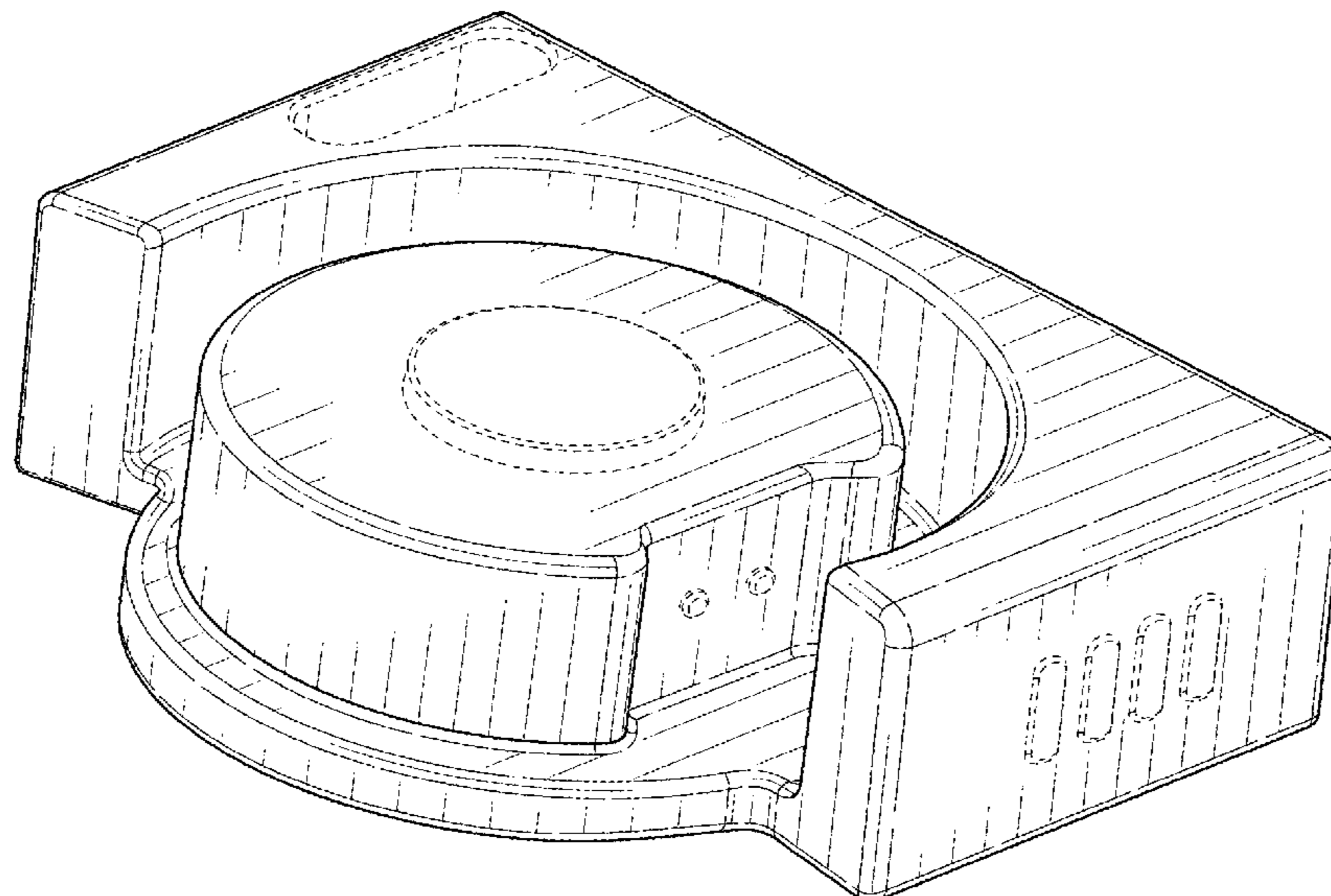
(57) **CLAIM**

The ornamental design for a charging dock, as shown and described.

DESCRIPTION

FIG. 1 is a perspective view showing the front, left, and bottom sides of a charging dock showing our new design; FIG. 2 is a front elevation view thereof; FIG. 3 is a back elevation view thereof; FIG. 4 is a top plan view thereof; FIG. 5 is a bottom plan view thereof; FIG. 6 is a left side elevation view thereof; FIG. 7 is a right side elevation view thereof; FIG. 8 is a front cross-sectional view of the charging dock of FIG. 1 taken in the direction of line 8-8 of FIG. 6; and, FIG. 9 is a bottom cross-sectional view of the charging dock of FIG. 1 taken in the direction of line 9-9 of FIG. 6. The broken lines in the drawings depict portions of the charging dock that form no part of the claimed design.

1 Claim, 6 Drawing Sheets



(56)

References Cited

U.S. PATENT DOCUMENTS

2021/0066903 A1* 3/2021 Hu H02J 7/0045

OTHER PUBLICATIONS

“Oura Ring review”. Found online Apr. 7, 2021 at the-gadgeteer.com. Reference dated Aug. 11, 2017. Retrieved from <https://the-gadgeteer.com/2017/08/11/oura-ring-review/> (Year: 2017).*

“Smart Watch Dock”. Found online Apr. 7, 2021 at youtube.com. Reference dated Jun. 2, 2016. Retrieved from <https://www.youtube.com/watch?v=9zDOOwNhd-c>. (Year: 2016).*

* cited by examiner

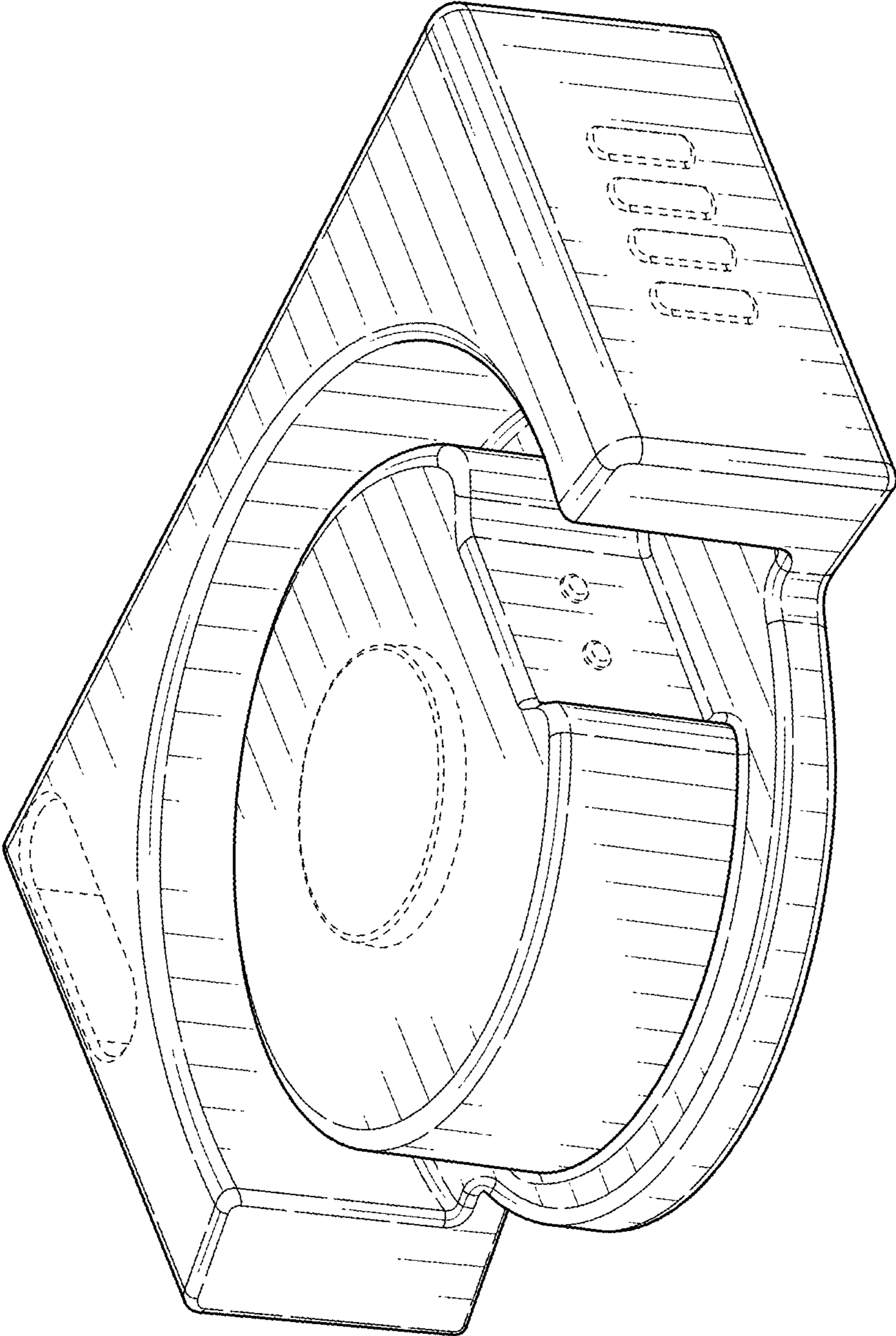


FIG. 1

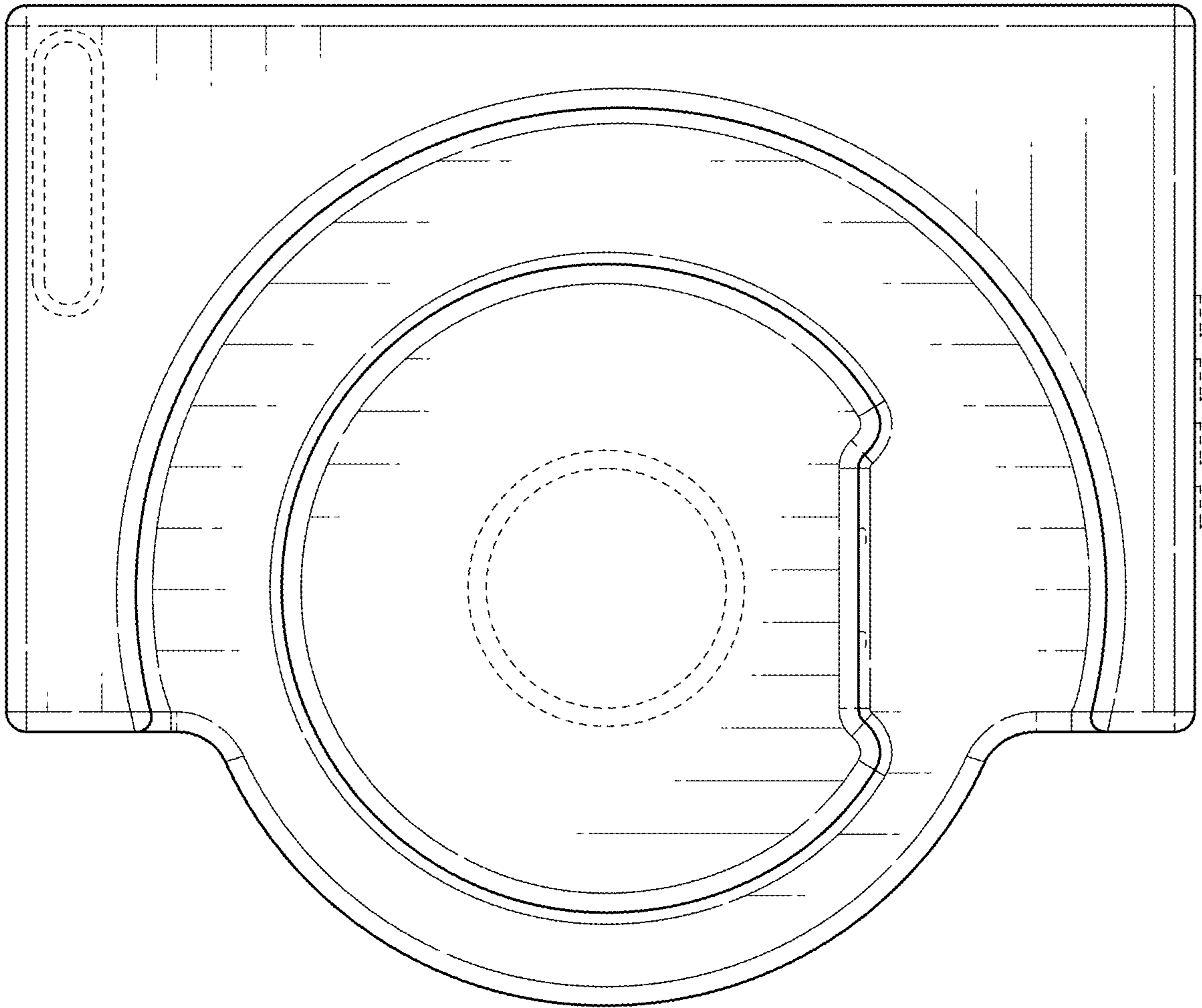


FIG. 2

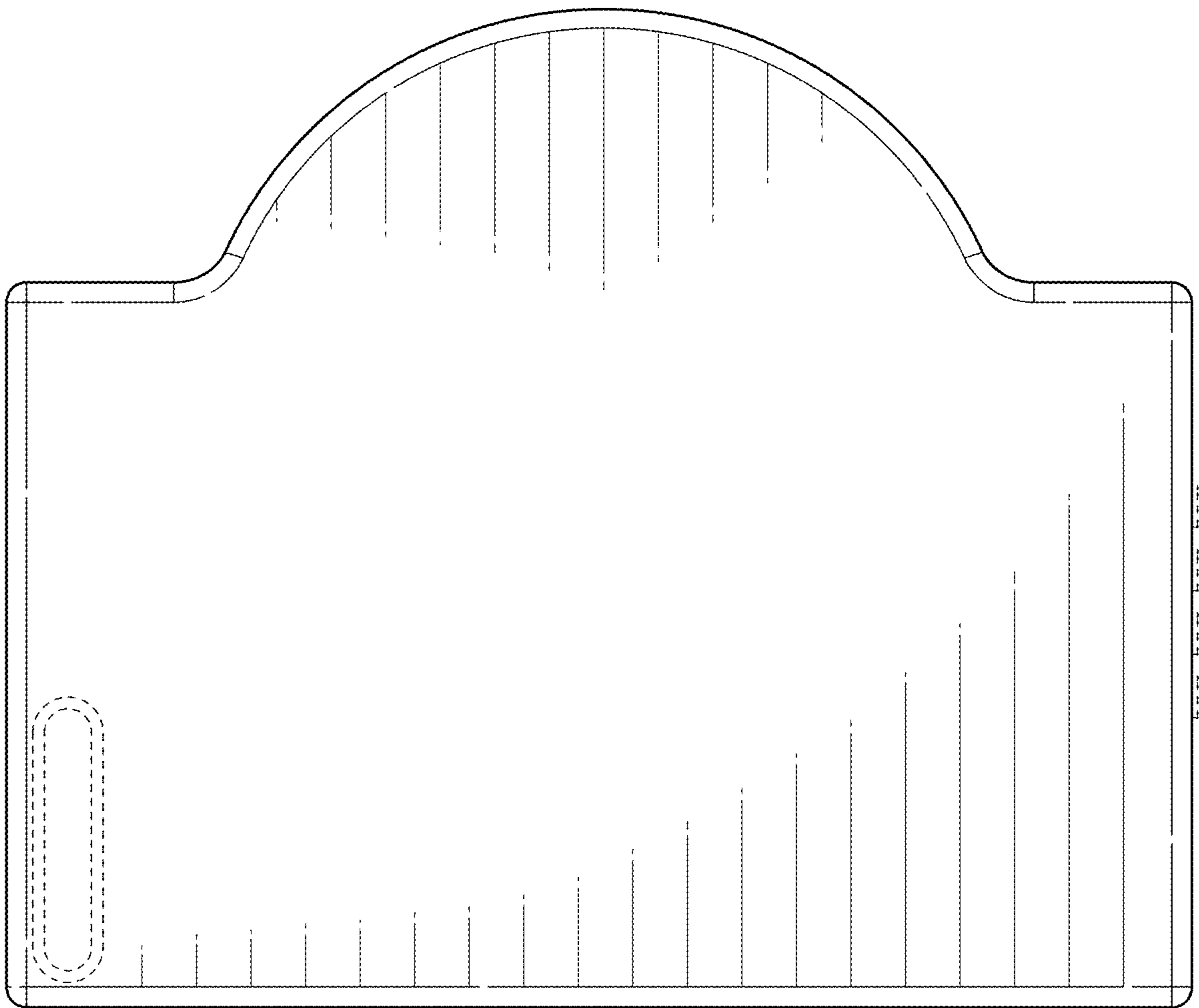


FIG. 3

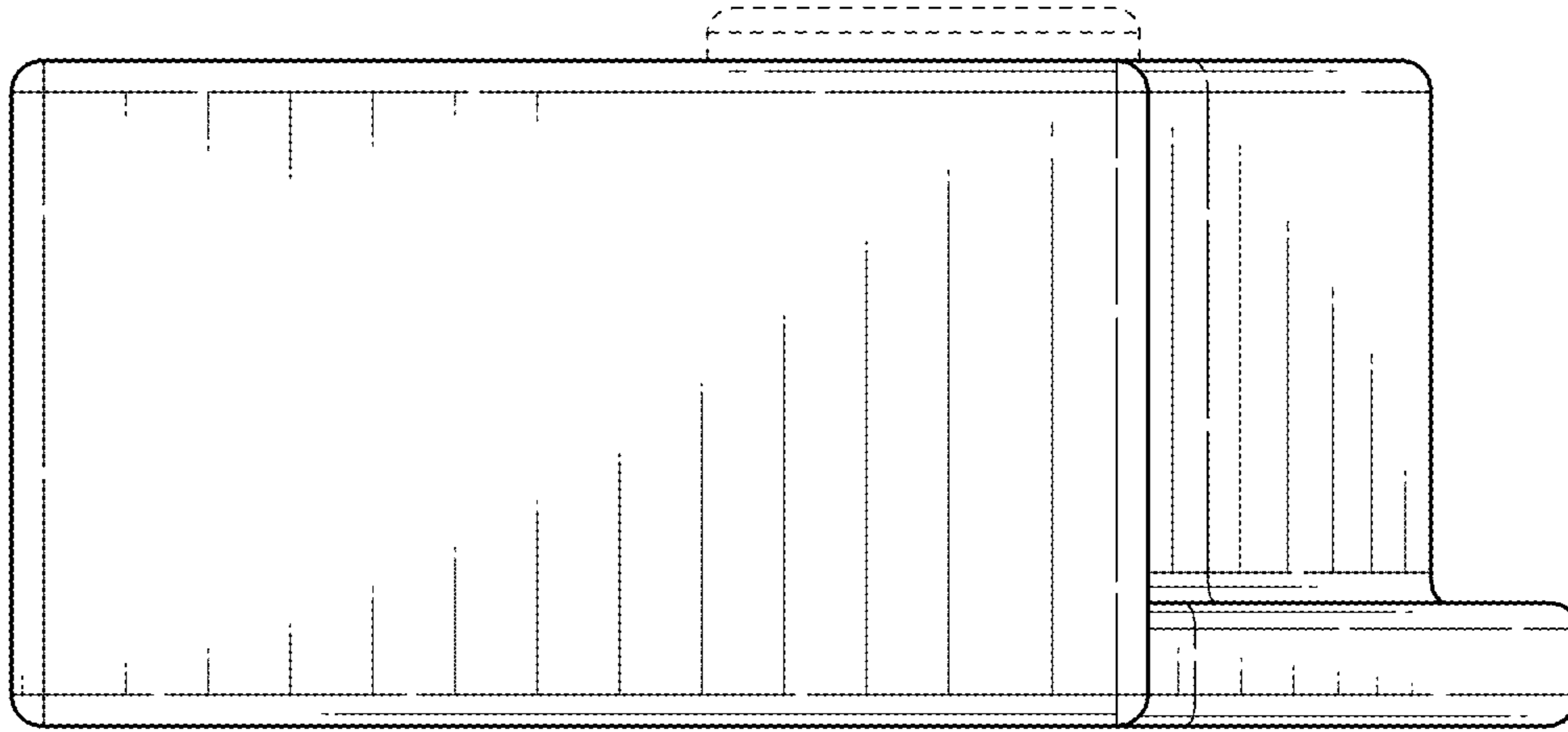


FIG. 4

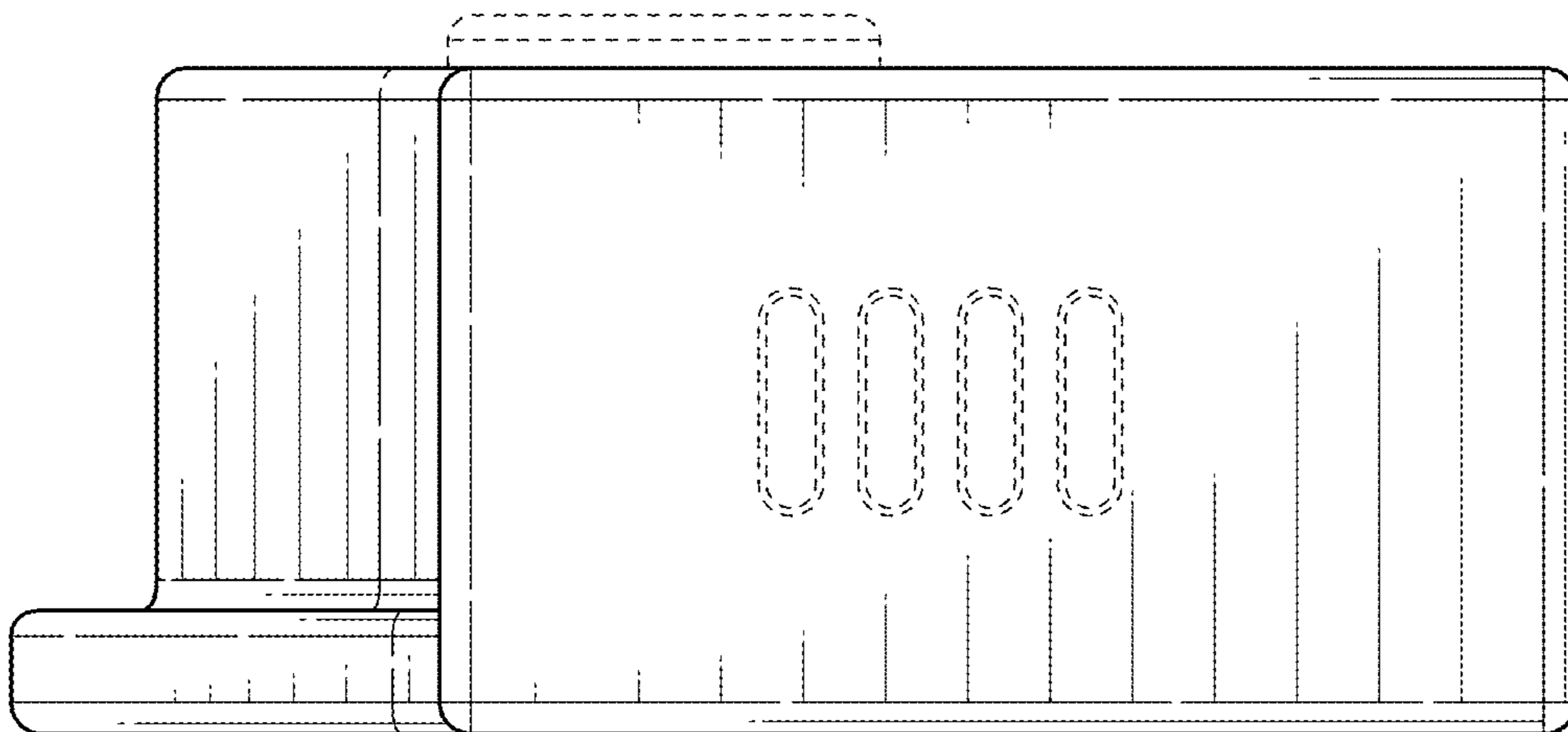


FIG. 5

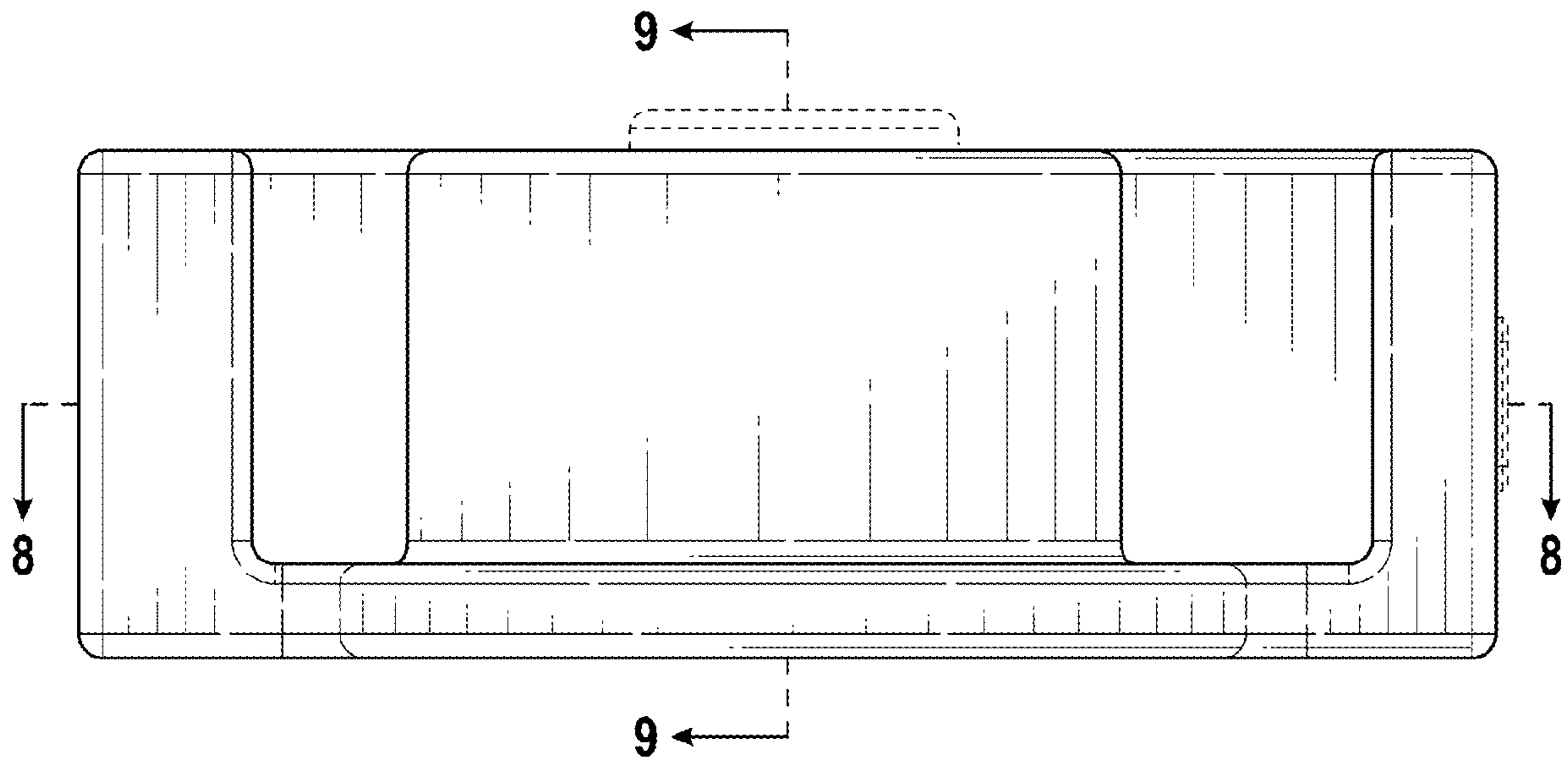


FIG. 6

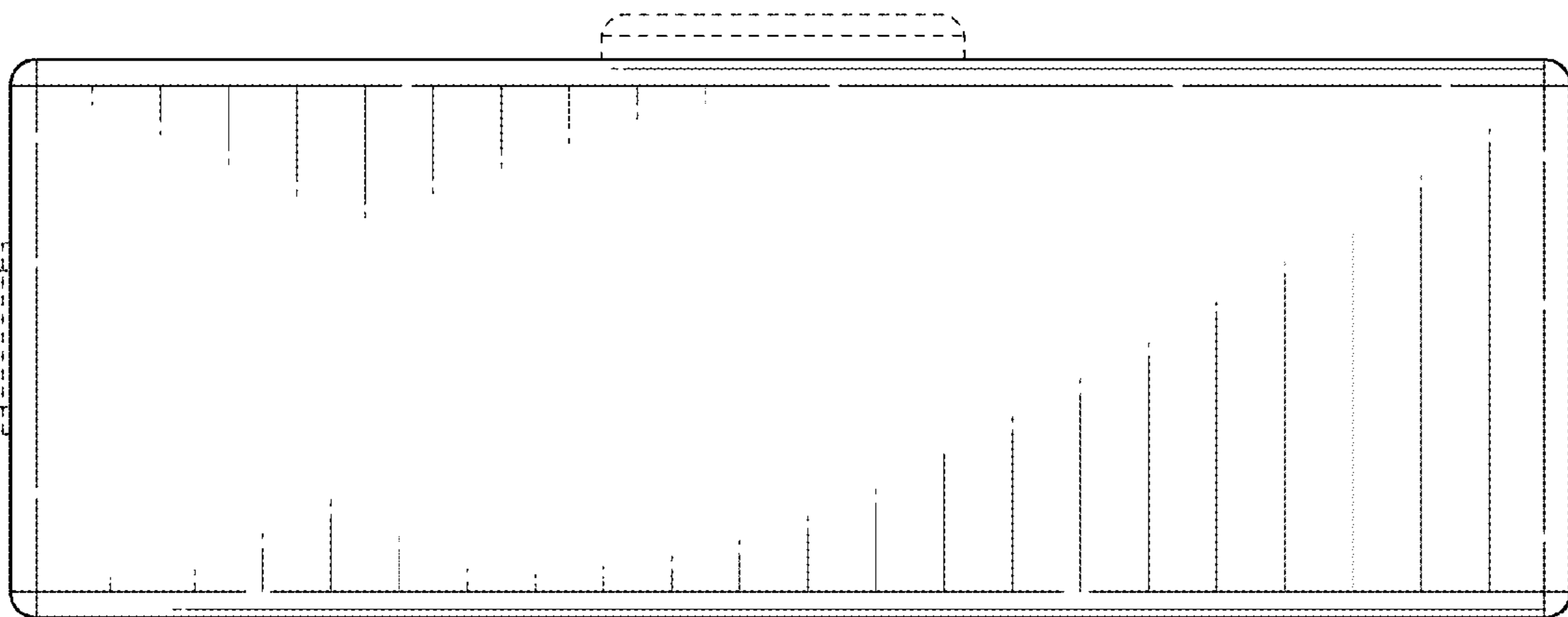


FIG. 7

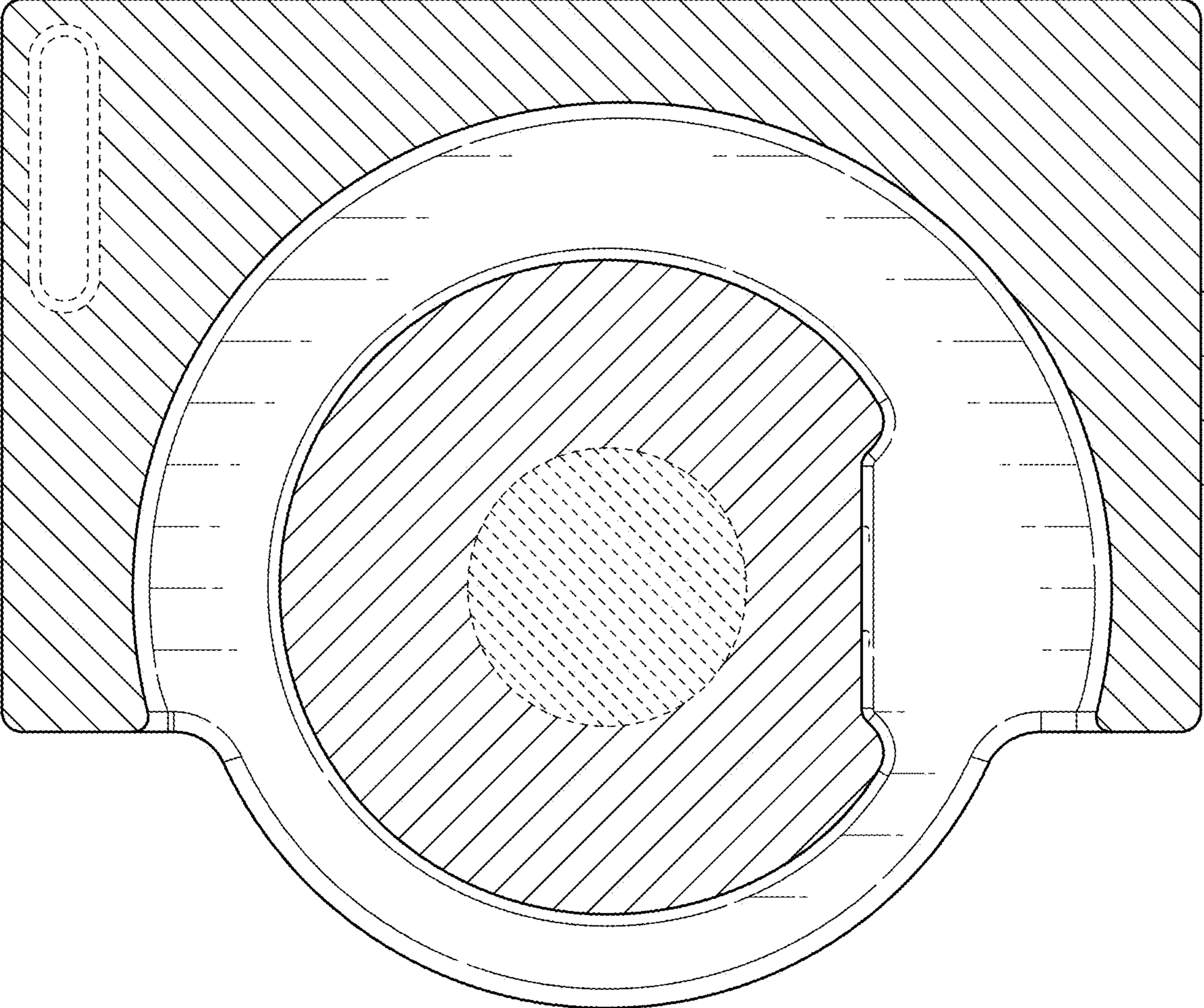


FIG. 8

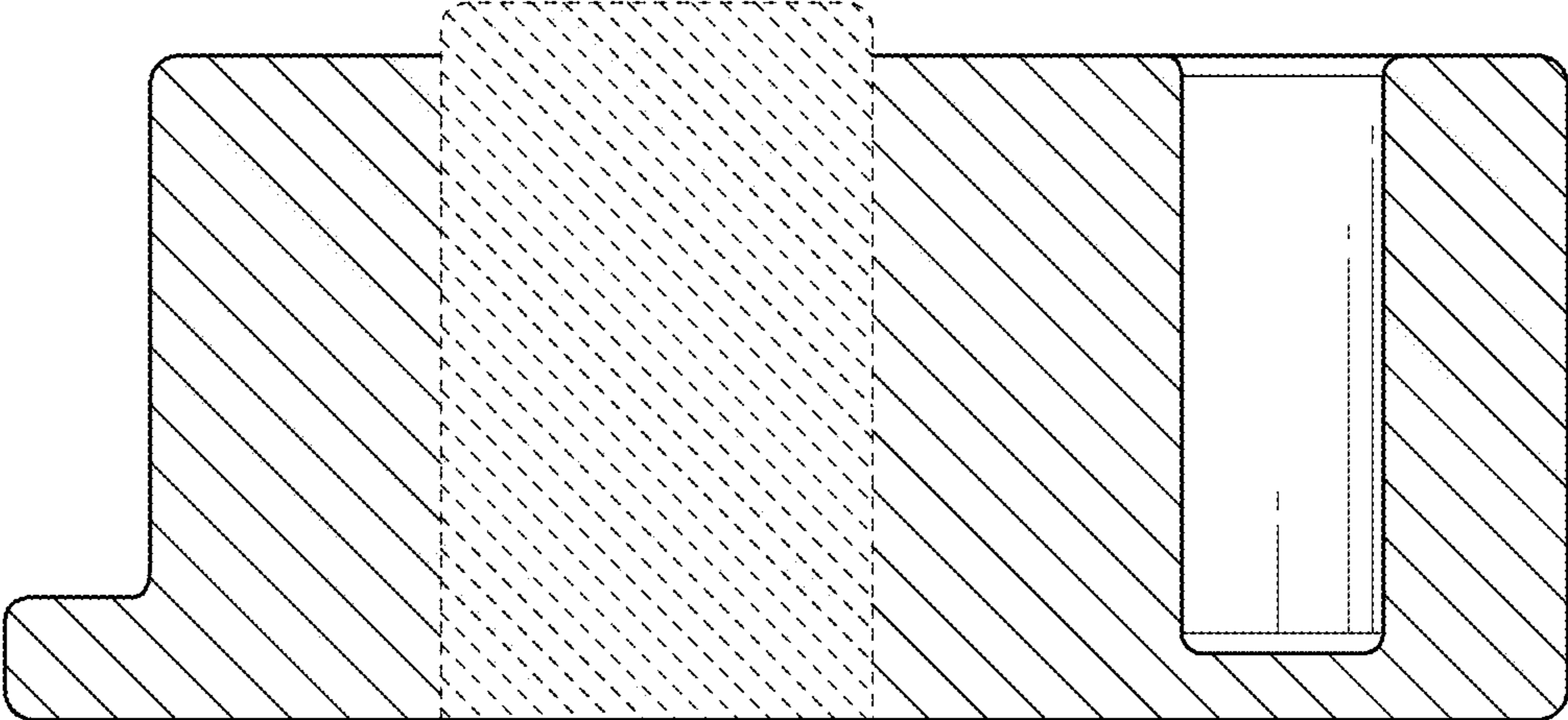


FIG. 9